



US00D732488S

(12) **United States Design Patent**  
**Lai et al.**

(10) **Patent No.:** **US D732,488 S**  
(45) **Date of Patent:** **\*\* Jun. 23, 2015**

(54) **PARTIAL SEMICONDUCTOR LIGHT  
EMITTING COMPONENT**

(71) Applicant: **FORMOSA EPITAXY  
INCORPORATION**, Taoyuan County  
(TW)

(72) Inventors: **Lung-Kuan Lai**, Taoyuan County (TW);  
**Jen-Chih Li**, Taoyuan County (TW);  
**Wei-Kang Cheng**, Taoyuan County  
(TW); **Shyi-Ming Pan**, Taoyuan County  
(TW)

(73) Assignee: **Formosa Epitaxy Incorporation**,  
Taoyuan County (TW)

(\*\*) Term: **14 Years**

(21) Appl. No.: **29/479,819**

(22) Filed: **Jan. 21, 2014**

(30) **Foreign Application Priority Data**

Aug. 6, 2013 (TW) ..... 102305360

(51) **LOC (10) Cl.** ..... **13-03**

(52) **U.S. Cl.**  
USPC ..... **D13/182**

(58) **Field of Classification Search**  
USPC ..... D13/182, 184; 174/250; 257/79, 80, 81,  
257/82, 83, 84, 103, 678, 684; 313/483,  
313/494, 498, 512; 315/169.3; 345/76, 82;  
428/690; 438/99, 460, 64, 65; 427/66;  
361/713, 728, 679.01, 820; 324/71.5,  
324/252

See application file for complete search history.

(56) **References Cited**

U.S. PATENT DOCUMENTS

4,127,792 A \* 11/1978 Nakata ..... 313/500  
D345,731 S \* 4/1994 Owens et al. .... D13/182  
D396,846 S \* 8/1998 Nakayama et al. .... D13/182

D396,847 S \* 8/1998 Nakayama et al. .... D13/182  
D444,132 S \* 6/2001 Iwanishi et al. .... D13/182  
D466,873 S \* 12/2002 Kasem et al. .... D13/182  
D472,528 S \* 4/2003 Kasem et al. .... D13/182  
D473,199 S \* 4/2003 Sako et al. .... D13/182  
D476,959 S \* 7/2003 Yamada et al. .... D13/182  
D476,962 S \* 7/2003 Yoshihira et al. .... D13/182  
D480,371 S \* 10/2003 Sako et al. .... D13/182  
D489,338 S \* 5/2004 Seddon et al. .... D13/182  
D499,384 S \* 12/2004 Kamada ..... D13/182  
D504,874 S \* 5/2005 Celaya et al. .... D13/182  
D508,682 S \* 8/2005 Yamada et al. .... D13/182  
D510,728 S \* 10/2005 Celaya et al. .... D13/182  
D638,810 S \* 5/2011 Morikawa et al. .... D13/180  
D642,996 S \* 8/2011 Miyake ..... D13/180  
D664,506 S \* 7/2012 Kuzuoka ..... D13/180  
D664,508 S \* 7/2012 Kuzuoka ..... D13/180  
D684,124 S \* 6/2013 Matsuhisa et al. .... D13/180  
D684,125 S \* 6/2013 Kawachi et al. .... D13/180  
D684,126 S \* 6/2013 Kawachi et al. .... D13/180  
D687,394 S \* 8/2013 Kuzuoka ..... D13/180  
D690,277 S \* 9/2013 Matsuhisa et al. .... D13/180

(Continued)

*Primary Examiner* — Elizabeth J Oswecki

(74) *Attorney, Agent, or Firm* — Rosenberg, Klein & Lee

(57) **CLAIM**

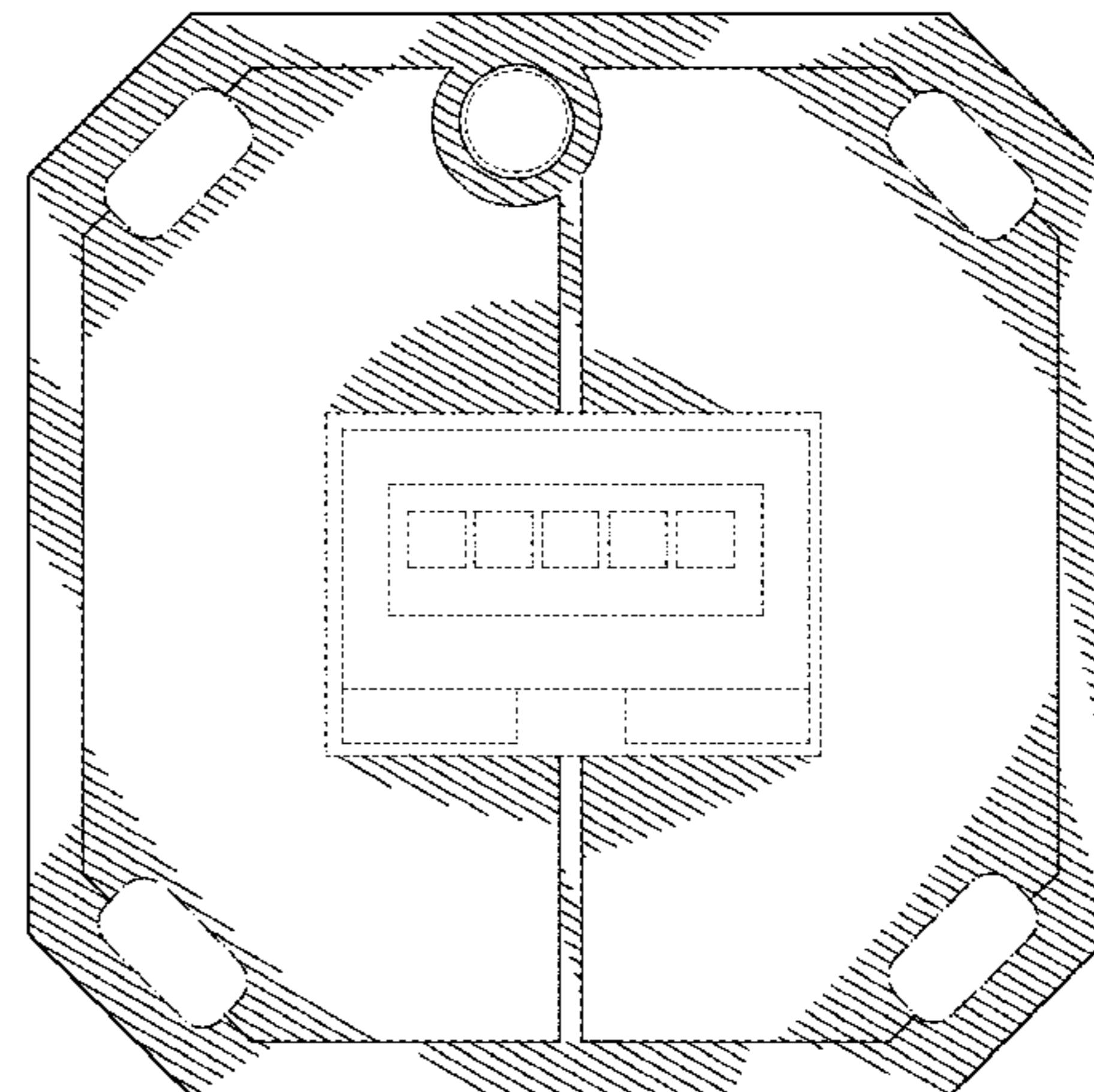
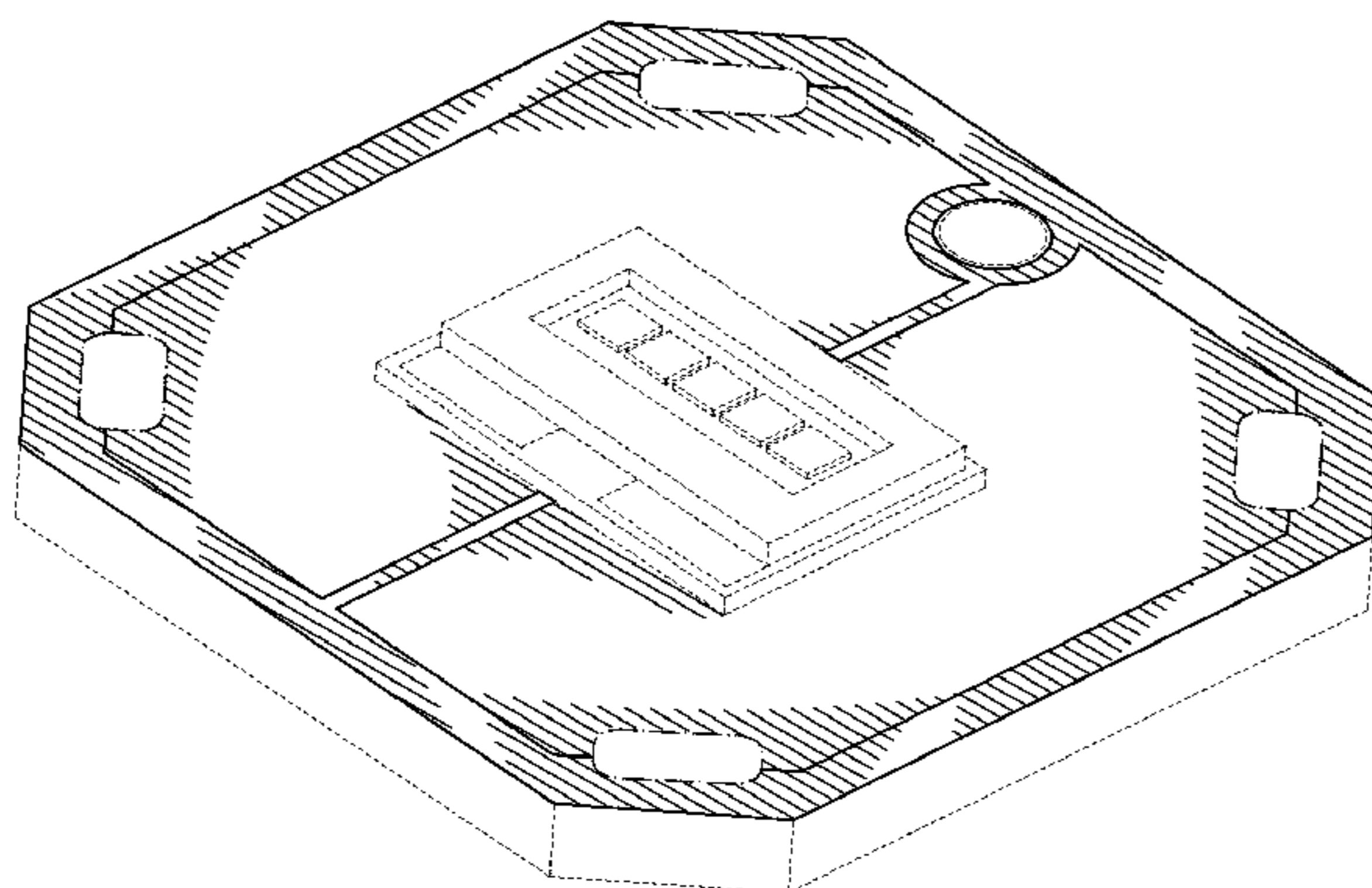
The ornamental design for a partial semiconductor light emitting component, as shown and described.

**DESCRIPTION**

FIG. 1 is a perspective view of a partial semiconductor light emitting component showing our new design; and, FIG. 2 is a top plan view thereof.

A bottom plan view, a front elevation view, a rear elevation view, a right side view, and a left side view of a partial semiconductor light emitting component form no part of the claimed design. The broken lines shown in the drawings represent unclaimed portions of the partial semiconductor light emitting component and form no part of the claimed design. The dash-dot-dash lines represent a boundary between the claimed design subject matter and the unclaimed design subject matter.

**1 Claim, 2 Drawing Sheets**



# US D732,488 S

Page 2

---

(56)

## References Cited

### U.S. PATENT DOCUMENTS

D701,843 S \* 4/2014 Masuda ..... D13/182  
2001/0019245 A1\* 9/2001 Ohshita et al. .... 313/506

2005/0168143 A1\* 8/2005 Kum et al. .... 313/512  
2008/0303408 A1\* 12/2008 Yamazaki et al. .... 313/498  
2009/0267526 A1\* 10/2009 Sung et al. .... 315/169.3  
2011/0095701 A1\* 4/2011 Tanahashi et al. .... 315/291

\* cited by examiner

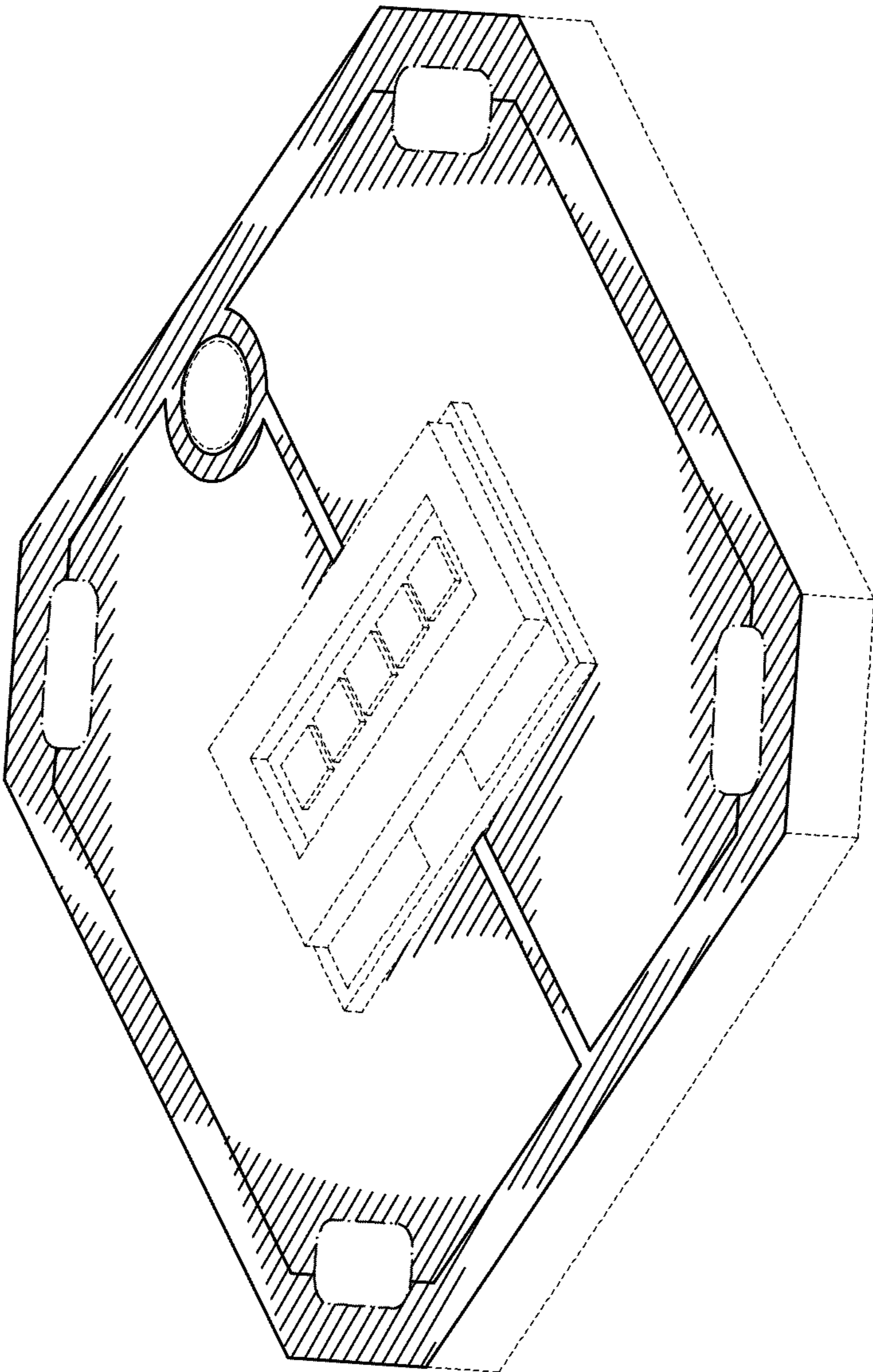


Fig. 1

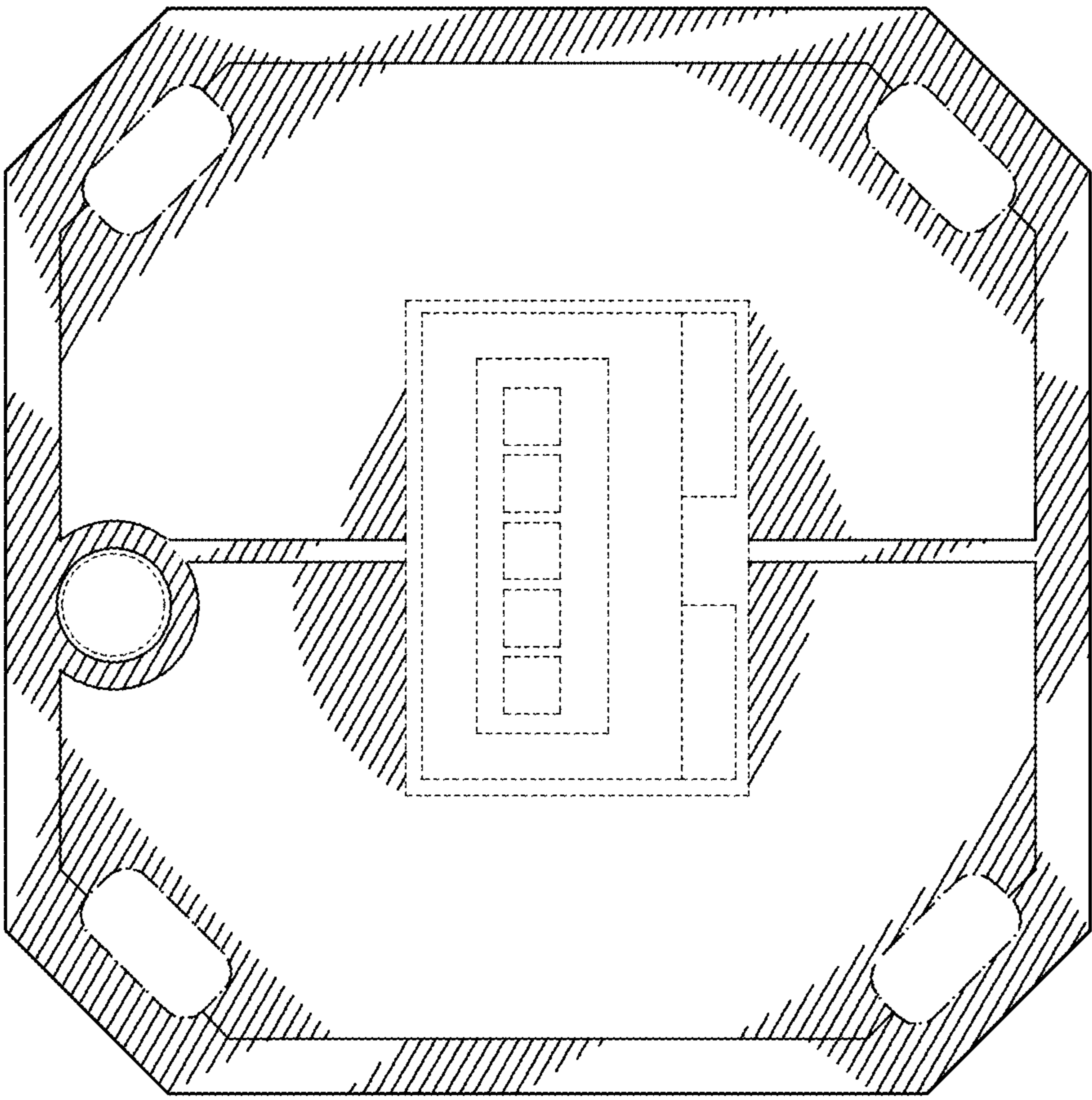


Fig. 2