

US00D732482S

(12) **United States Design Patent**  
**Hagarty**

(10) **Patent No.:** **US D732,482 S**  
(45) **Date of Patent:** **\*\* Jun. 23, 2015**

(54) **PLASTER RING**

(71) Applicant: **Robert J. Hagarty**, Spokane, WA (US)

(72) Inventor: **Robert J. Hagarty**, Spokane, WA (US)

(73) Assignee: **RANDL Industries, Inc.**, Spokane Valley, WA (US)

(\*\*) Term: **14 Years**

(21) Appl. No.: **29/447,297**

(22) Filed: **Mar. 1, 2013**

(51) **LOC (10) Cl.** ..... **13-03**

(52) **U.S. Cl.**  
USPC ..... **D13/156**

(58) **Field of Classification Search**

USPC ..... D13/156, 133, 152, 154, 173, 177, 184,  
D13/199; 174/53, 55, 58, 66, 67, 68.1, 82,  
174/535, 559; 220/3.2, 3.3, 3.5, 3.6, 3.9;  
248/27.1; 439/527, 535, 536, 537  
CPC ..... H02G 3/08; H02G 3/081; H02G 3/086;  
H02G 3/088; H02G 3/14; H02G 3/121;  
H01H 9/02; H05K 7/14

See application file for complete search history.

(56) **References Cited**

**U.S. PATENT DOCUMENTS**

5,931,325 A \* 8/1999 Filipov ..... 220/3.7  
6,066,803 A 5/2000 Hagarty

(Continued)

**OTHER PUBLICATIONS**

Hagarty, R.J., "Outlet Box Adapter," U.S. Appl. No. 29/393,963, filed Jun. 10, 2011.

*Primary Examiner* — Derrick Holland

(74) *Attorney, Agent, or Firm* — Christensen O'Connor Johnson Kindness PLLC

(57) **CLAIM**

The ornamental design for a plaster ring, as shown and described.

**DESCRIPTION**

FIG. 1 is a front view of a plaster ring in accordance with the present design;

FIG. 2 is a rear view of the plaster ring shown in FIG. 1;

FIG. 3 is a top view of the plaster ring shown in FIG. 1;

FIG. 4 is a bottom view of the plaster ring shown in FIG. 1;

FIG. 5 is a left side view of the plaster ring shown in FIG. 1;

FIG. 6 is a right side view of the plaster ring shown in FIG. 1;

FIG. 7 is a front view of a second embodiment of a plaster ring in accordance with the present design;

FIG. 8 is a rear view of the plaster ring shown in FIG. 7;

FIG. 9 is a top view of the plaster ring shown in FIG. 7;

FIG. 10 is a bottom view of the plaster ring shown in FIG. 7;

FIG. 11 is a left side view of the plaster ring shown in FIG. 7;

FIG. 12 is a right side view of the plaster ring shown in FIG. 7;

FIG. 13 is a front view of a third embodiment of a plaster ring in accordance with the present design;

FIG. 14 is a rear view of the plaster ring shown in FIG. 13;

FIG. 15 is a top view of the plaster ring shown in FIG. 13;

FIG. 16 is a bottom view of the plaster ring shown in FIG. 13;

FIG. 17 is a left side view of the plaster ring shown in FIG. 13;

FIG. 18 is a right side view of the plaster ring shown in FIG. 13;

FIG. 19 is a front view of a fourth embodiment of a plaster ring in accordance with the present design;

FIG. 20 is a rear view of the plaster ring shown in FIG. 19;

FIG. 21 is a top view of the plaster ring shown in FIG. 19;

FIG. 22 is a bottom view of the plaster ring shown in FIG. 19;

FIG. 23 is a left side view of the plaster ring shown in FIG. 19;

FIG. 24 is a right side view of the plaster ring shown in FIG. 19;

FIG. 25 is a front view of a fifth embodiment of a plaster ring in accordance with the present design;

FIG. 26 is a rear view of the plaster ring shown in FIG. 25;

FIG. 27 is a top view of the plaster ring shown in FIG. 25;

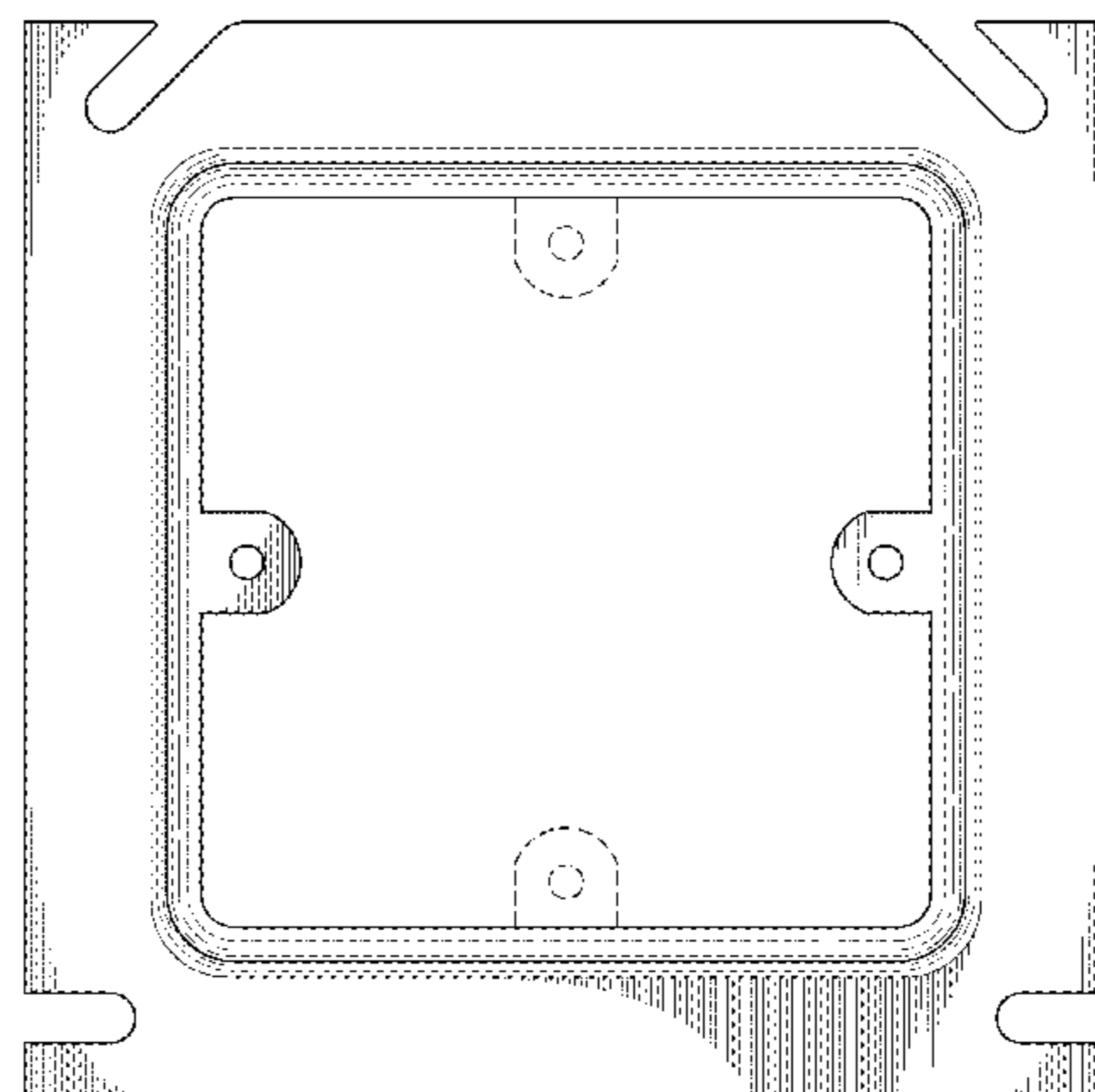
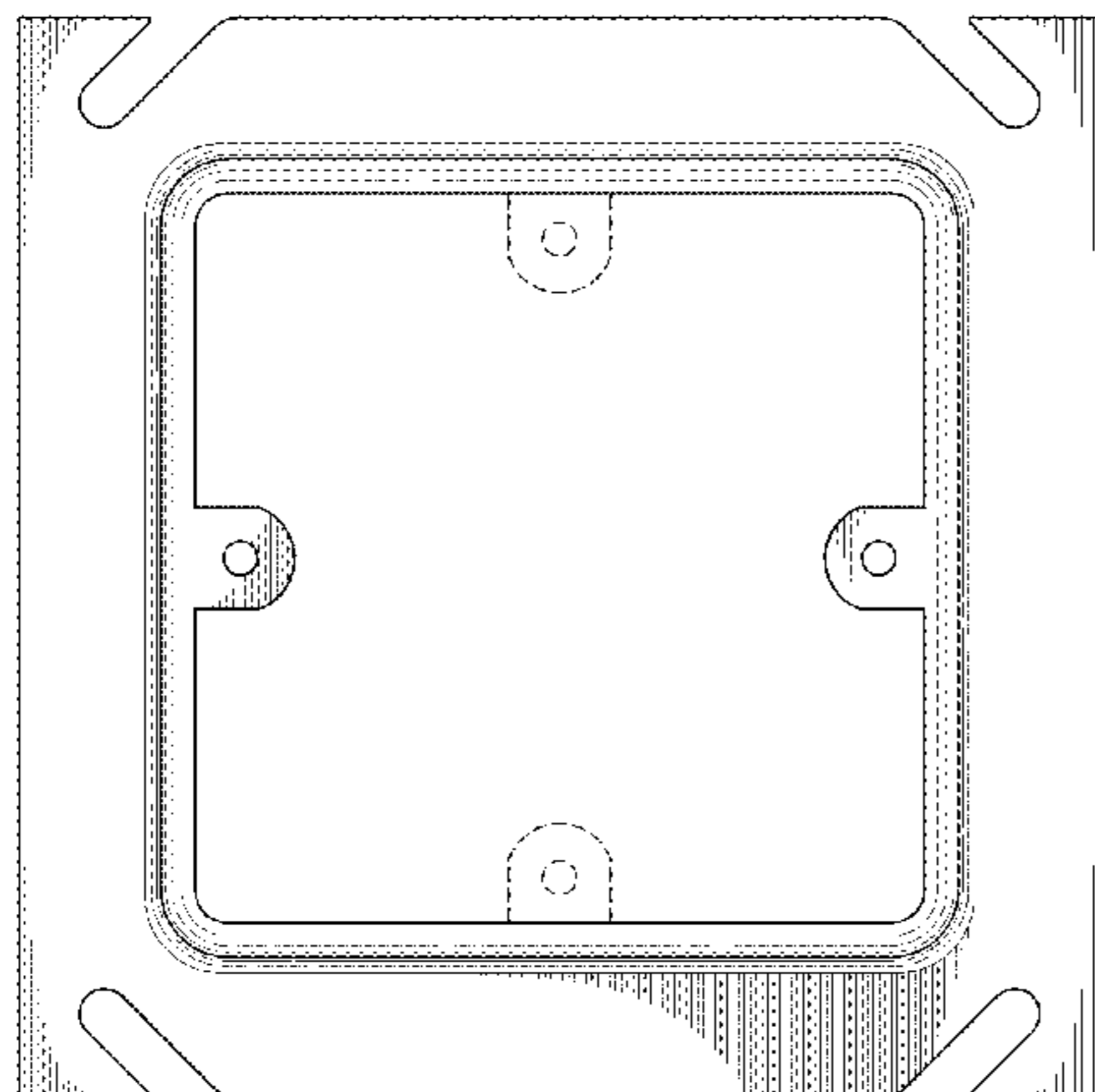
FIG. 28 is a bottom view of the plaster ring shown in FIG. 25;

FIG. 29 is a left side view of the plaster ring shown in FIG. 25;

and, FIG. 30 is a right side view of the plaster ring shown in FIG. 25.

The broken lines shown represent unclaimed subject matter and form no part of the claimed design.

**1 Claim, 15 Drawing Sheets**



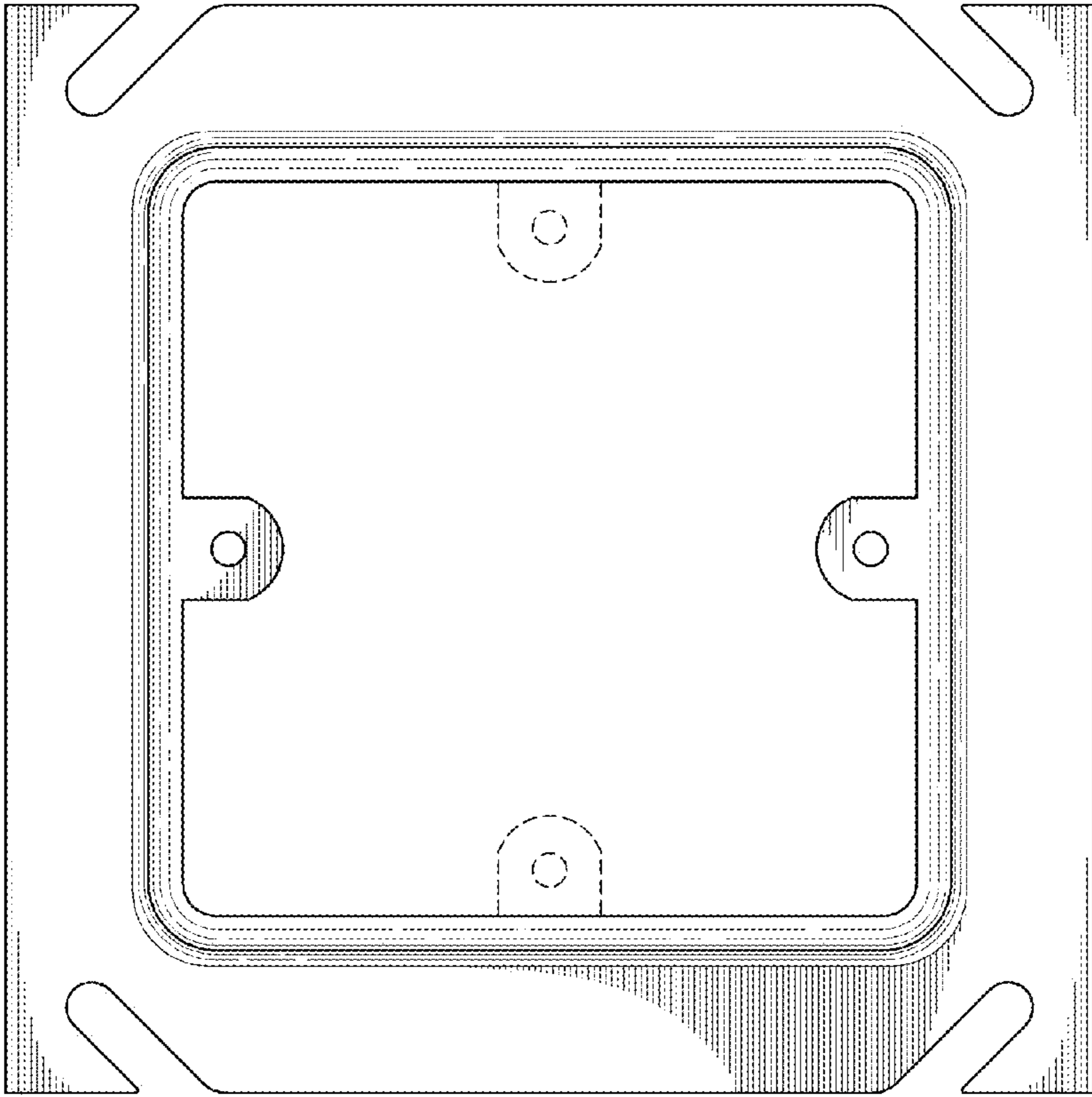
(56)

**References Cited**

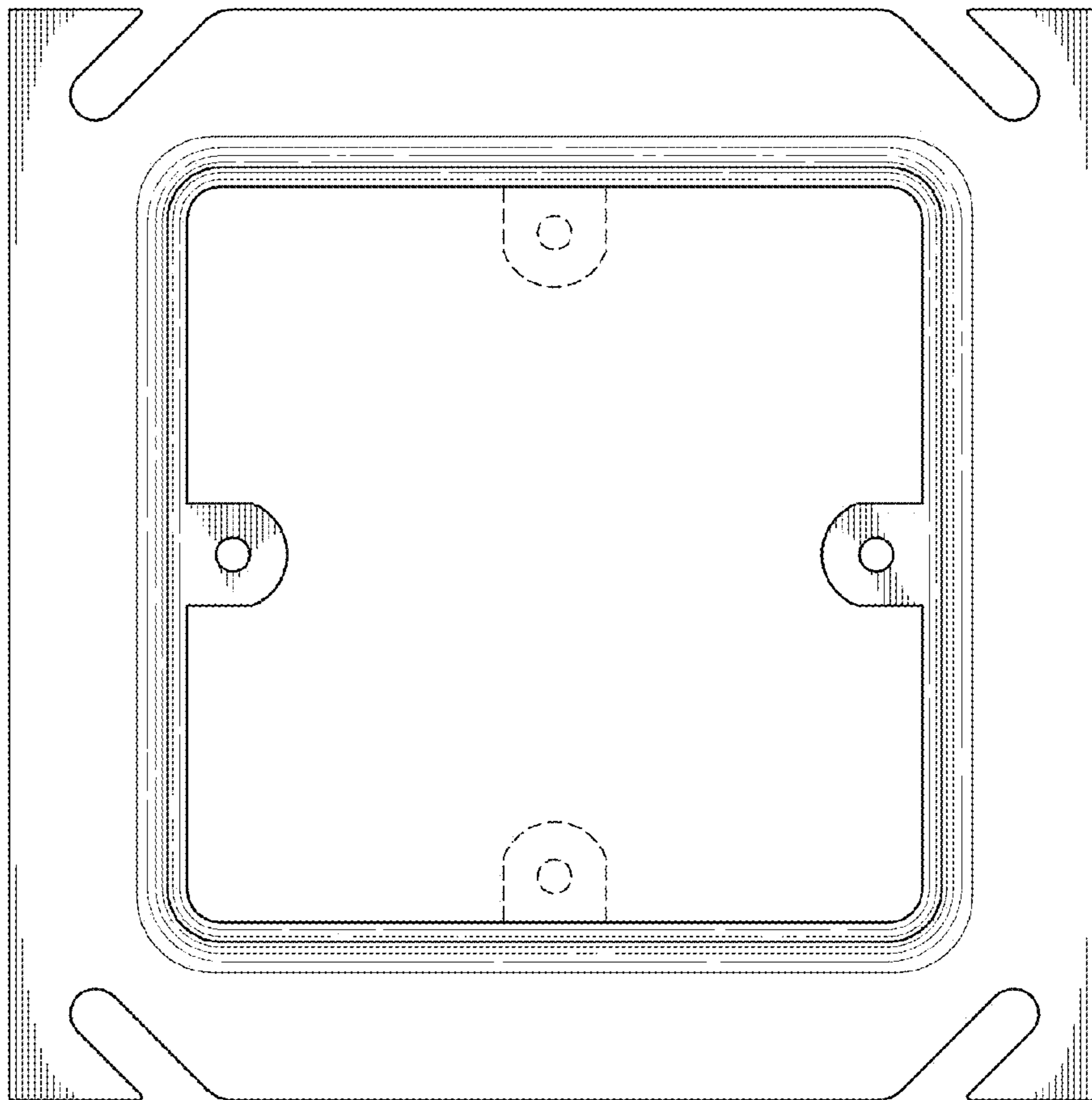
U.S. PATENT DOCUMENTS

D462,939	S *	9/2002	Dinh	.....	D13/156	D555,108	S	11/2007	Strong	
6,573,449	B2 *	6/2003	Vrame	.....	174/58	7,301,099	B1 *	11/2007	Korcz	..... 174/58
D493,695	S	8/2004	Wengrower			7,495,170	B2 *	2/2009	Dinh et al.	..... 174/58
6,858,802	B2	2/2005	Hagarty			D588,067	S *	3/2009	Seropian	..... D13/152
D540,654	S	4/2007	Aubert Capella			7,645,936	B2 *	1/2010	Magno, Jr.	..... 174/53
						8,076,577	B2 *	12/2011	Mango et al.	..... 174/53
						2003/0189043	A1 *	10/2003	Wegner et al.	..... 220/4.03
						2008/0236859	A1 *	10/2008	de la Borbolla	..... 174/66

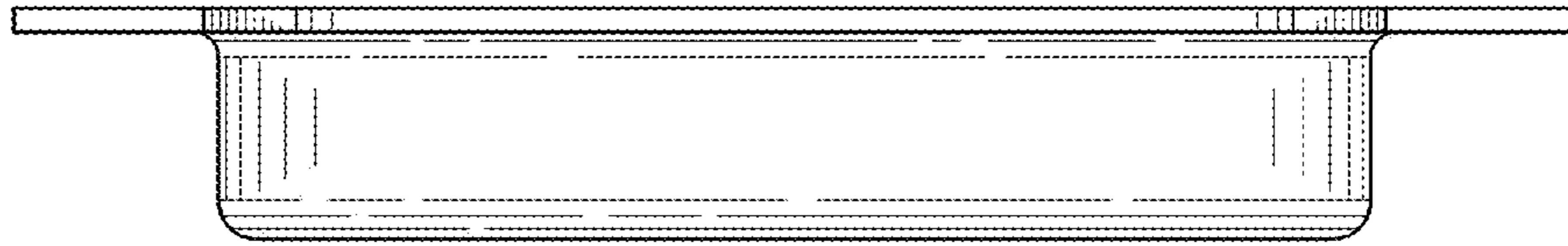
\* cited by examiner



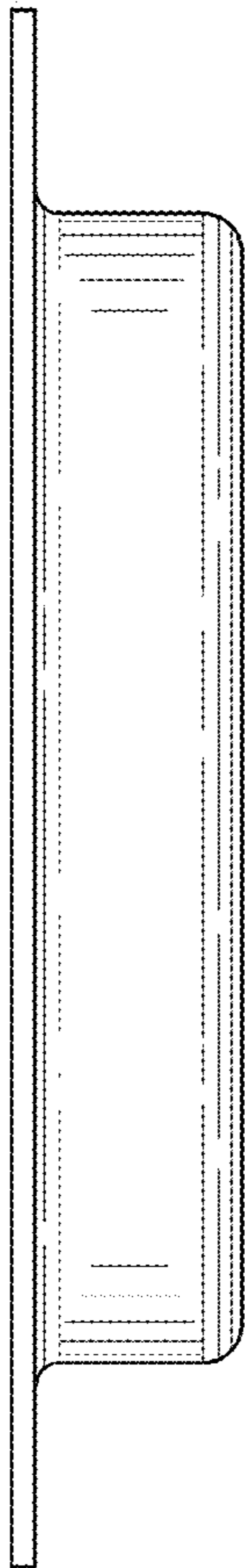
*Fig. 1.*



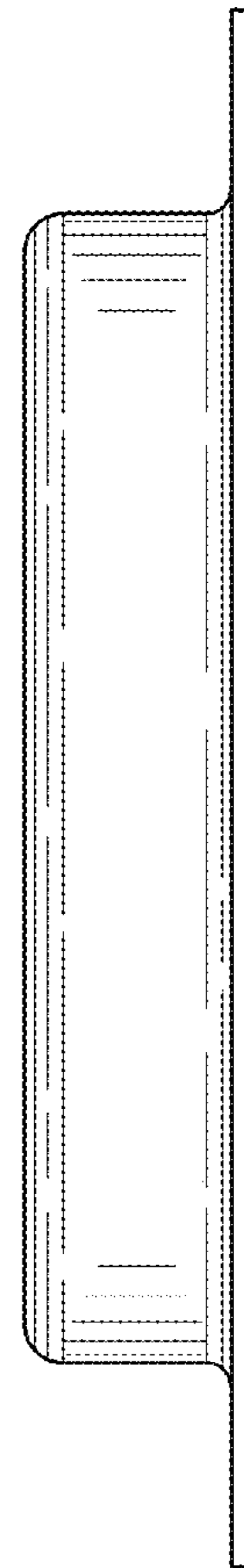
*Fig. 2.*



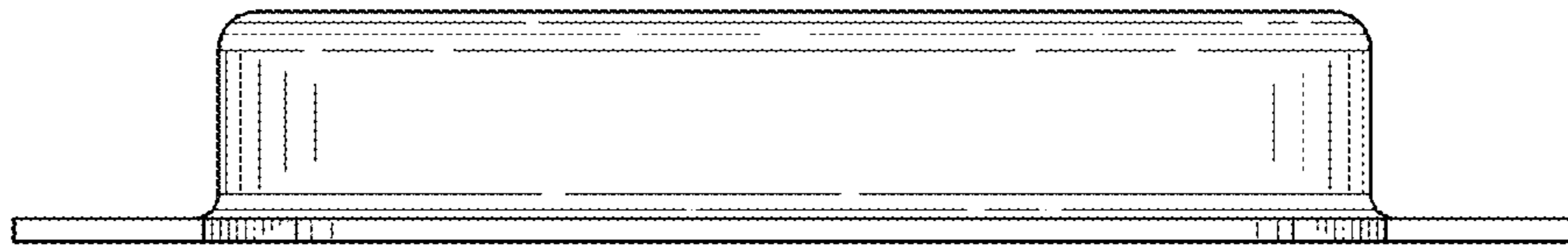
*Fig. 3.*



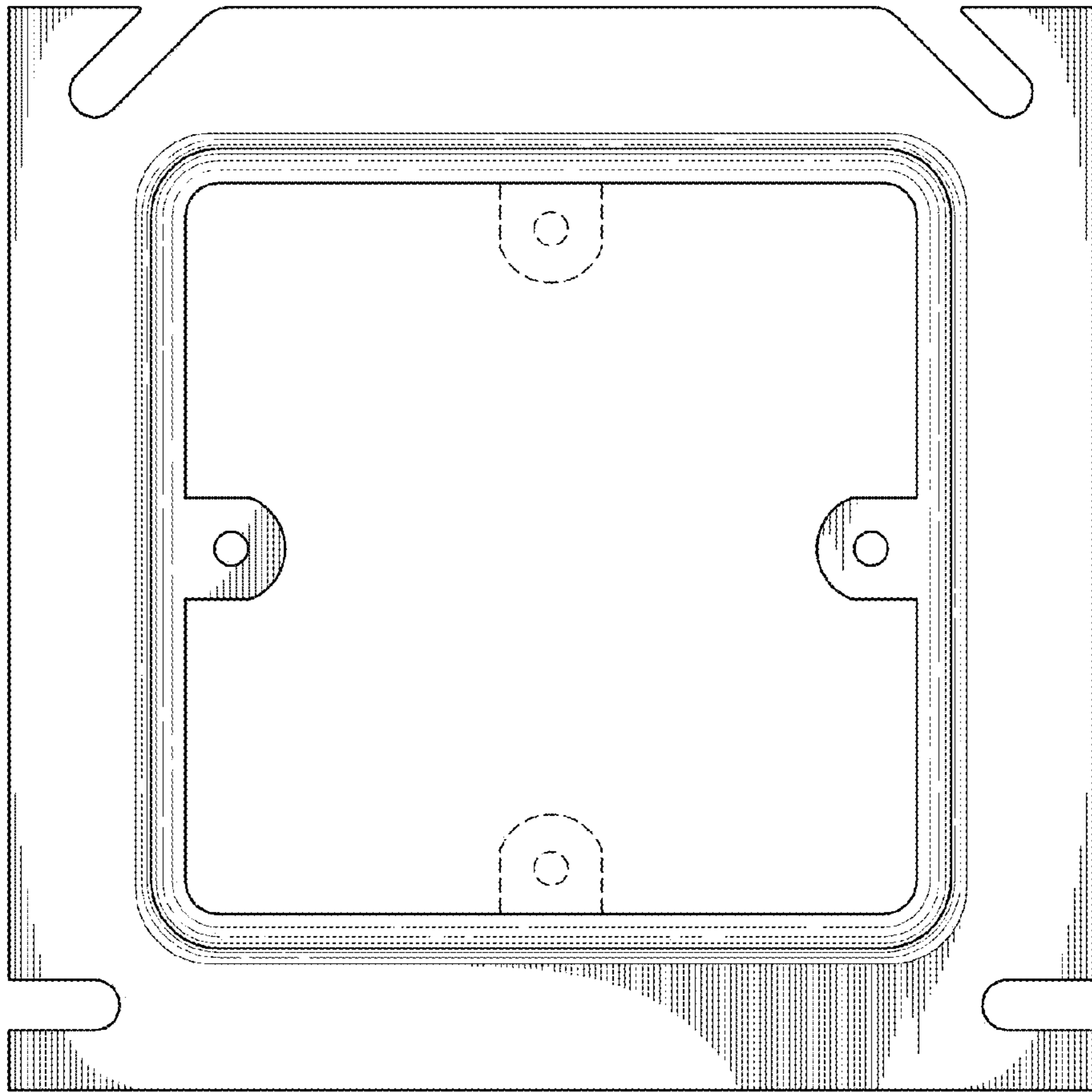
*Fig. 5.*



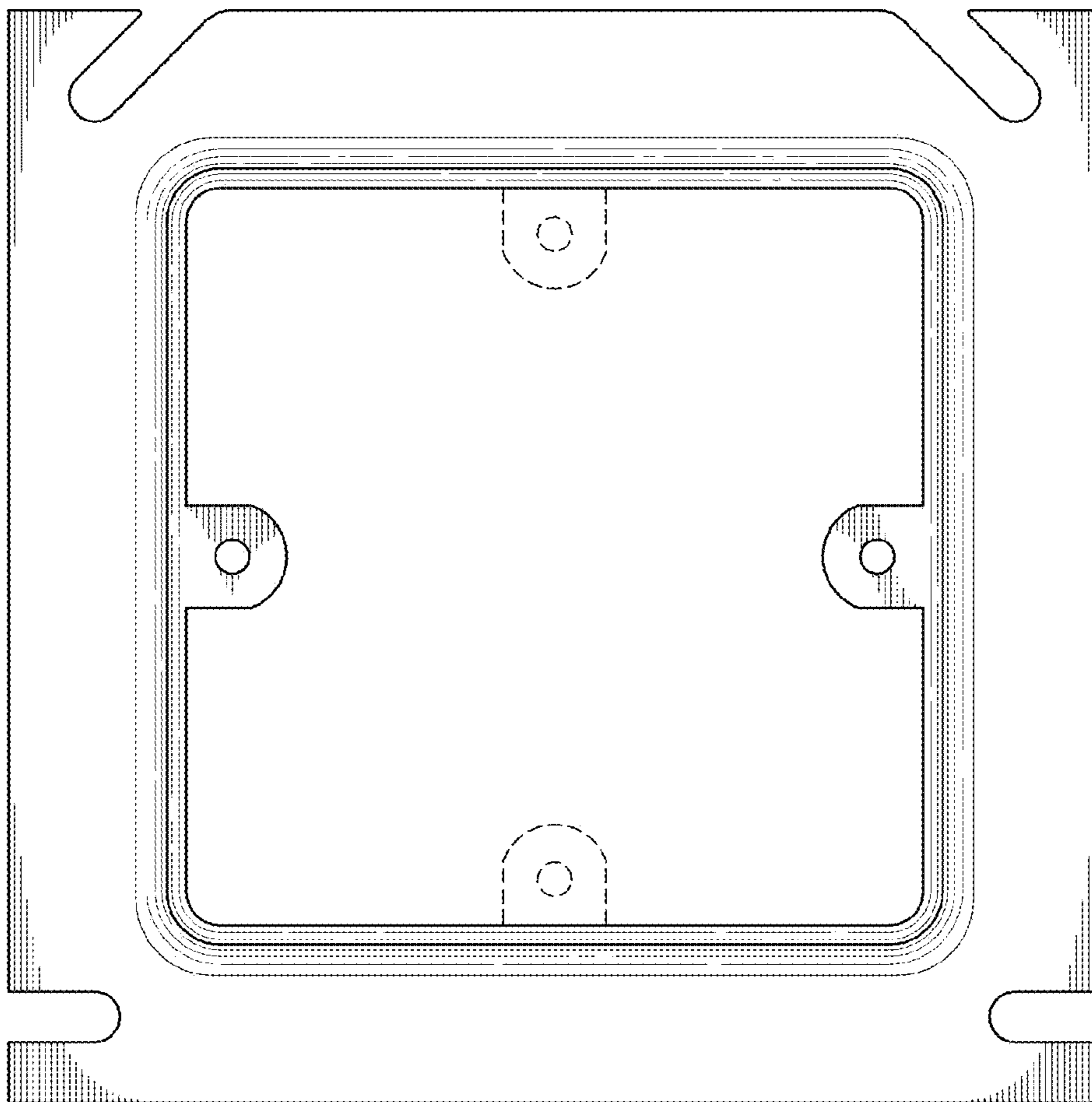
*Fig. 6.*



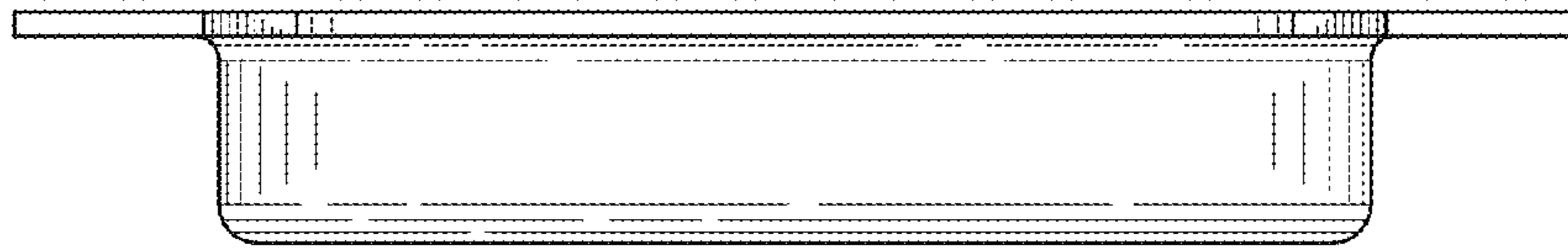
*Fig. 4.*



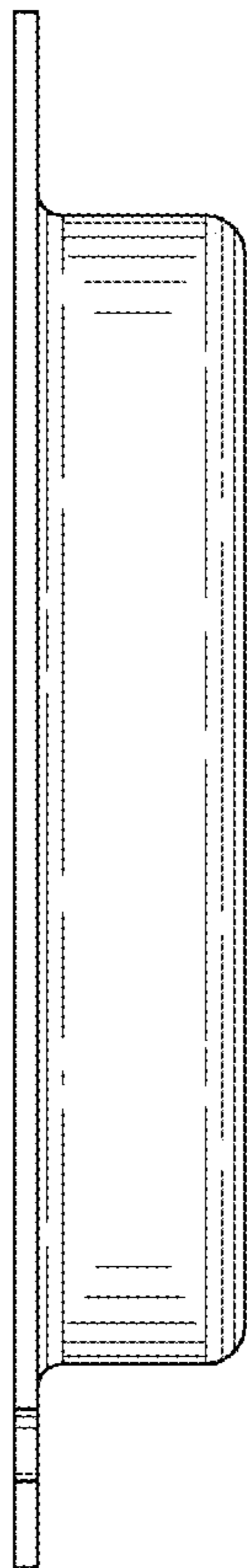
*Fig. 7.*



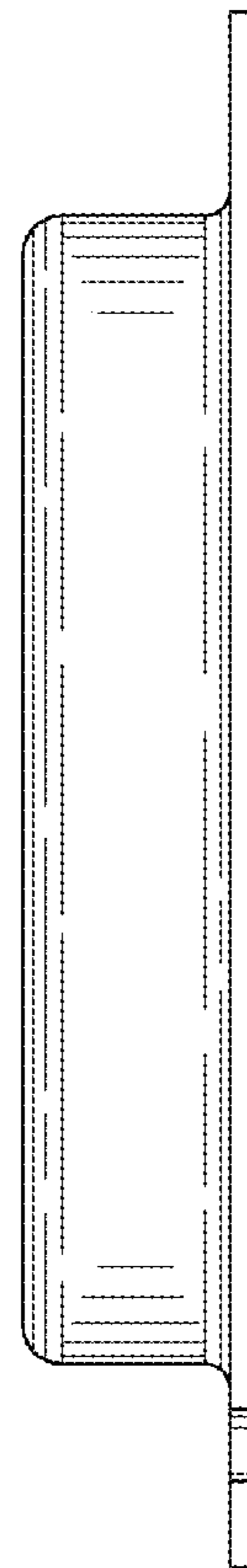
*Fig. 8.*



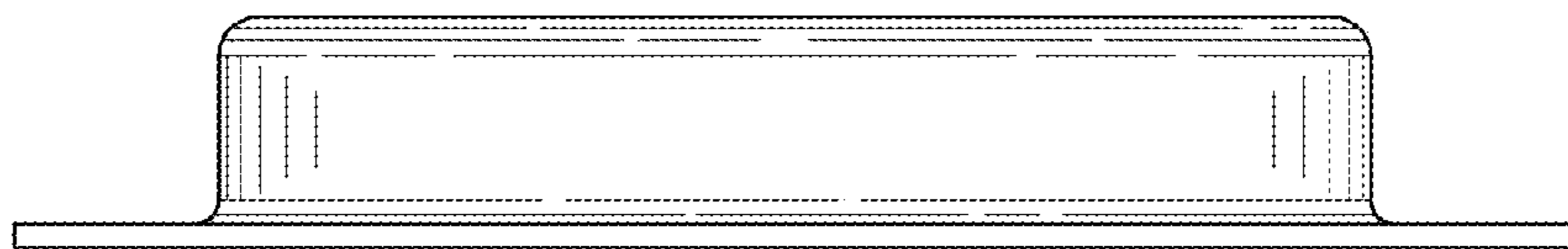
*Fig. 9.*



*Fig. 11.*

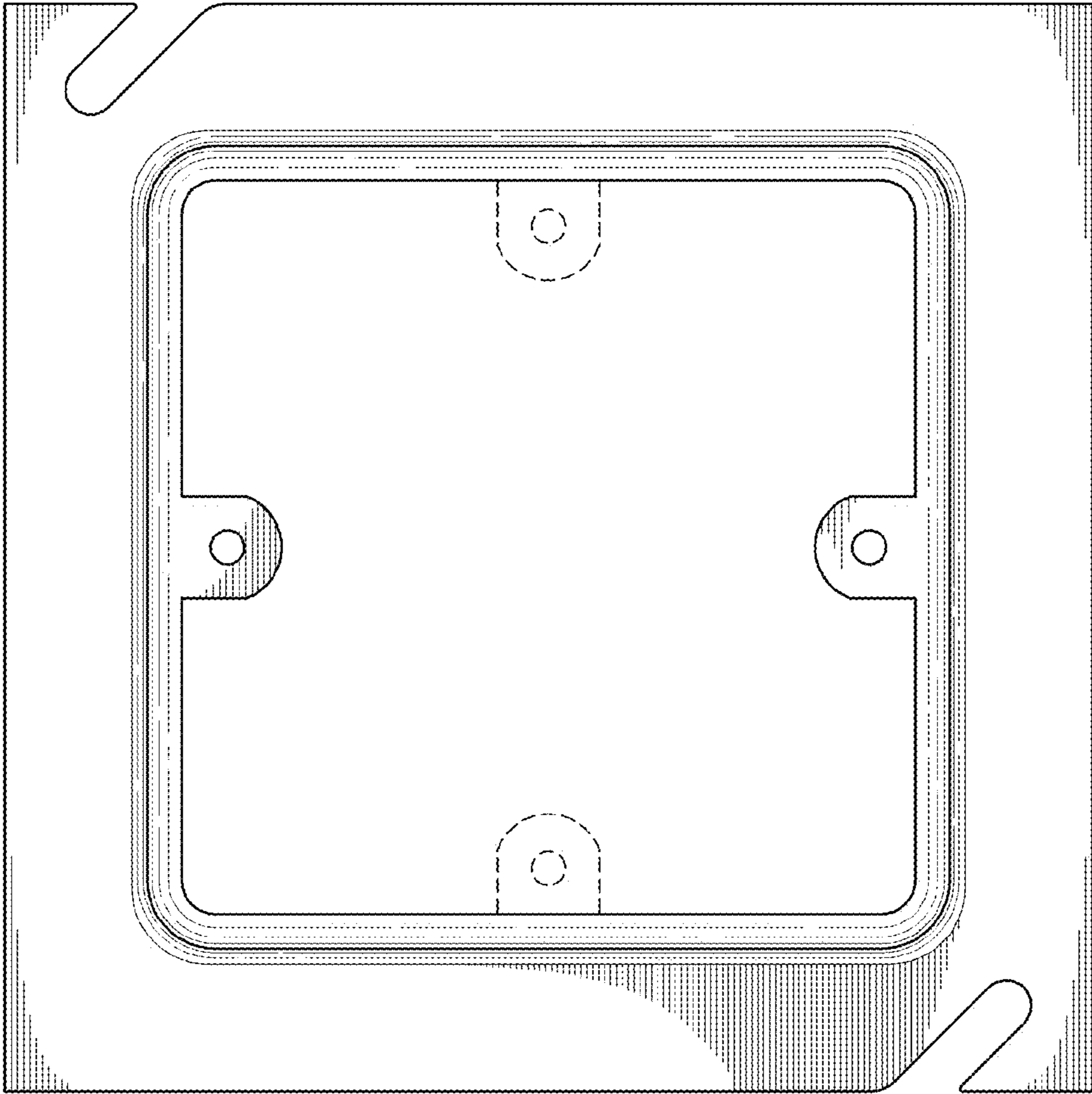


*Fig. 12.*

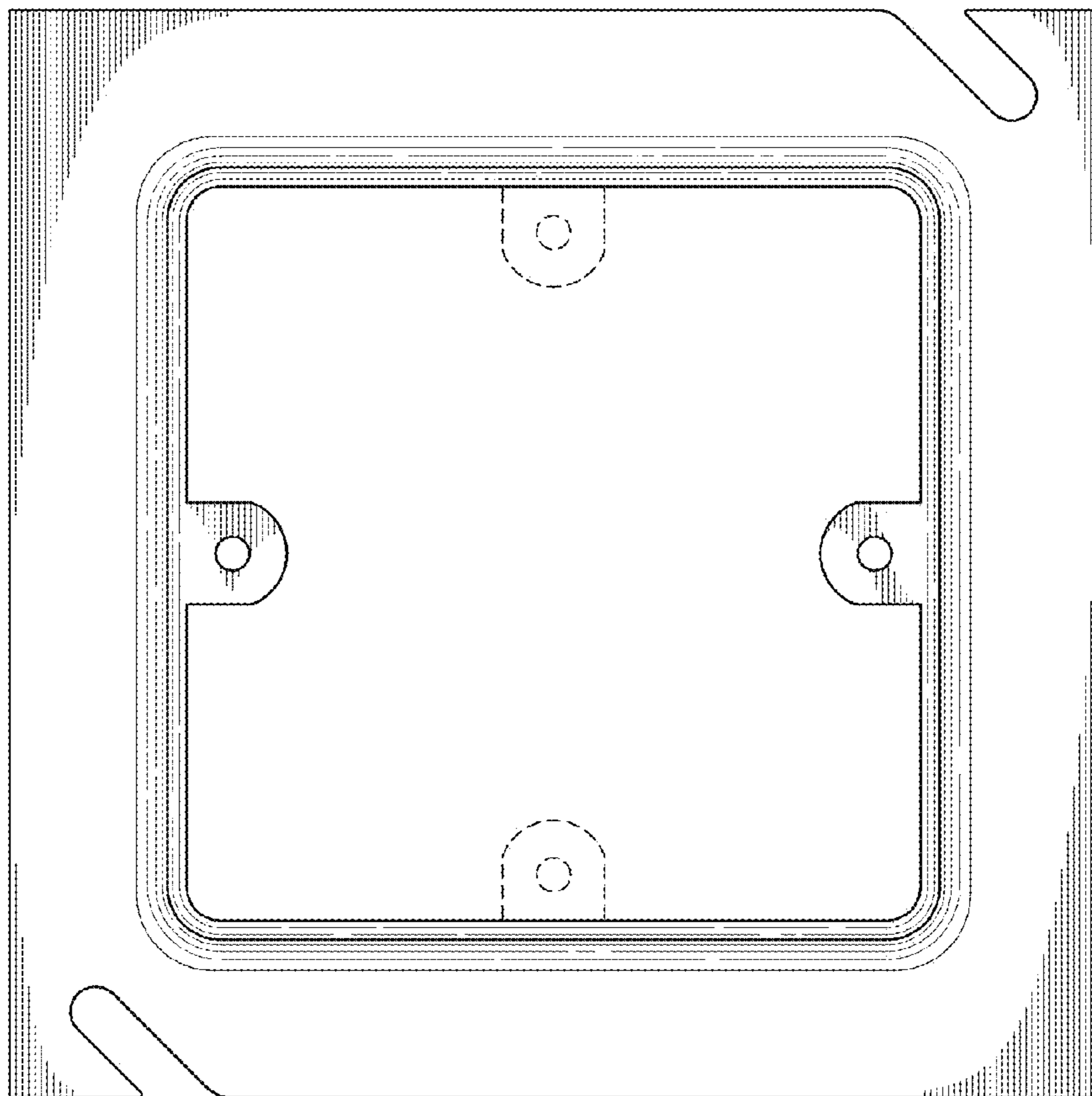


*Fig. 10.*

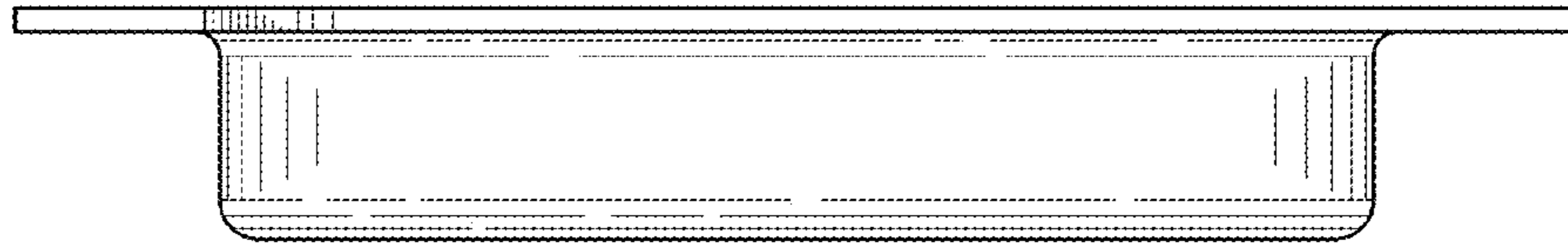




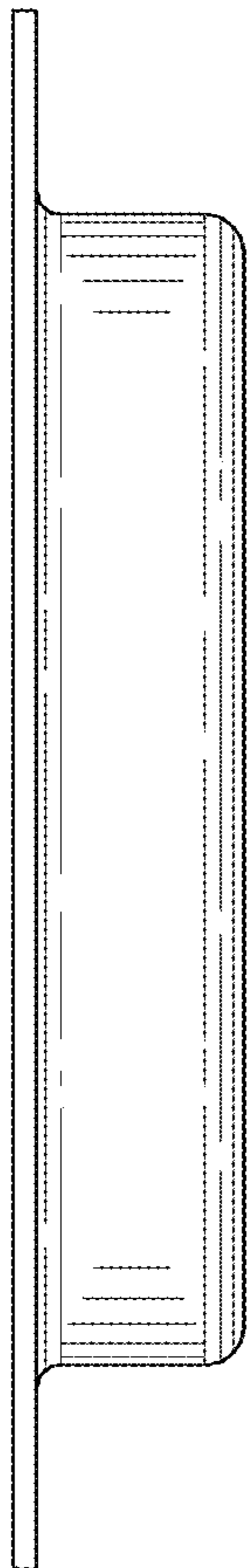
*Fig. 13.*



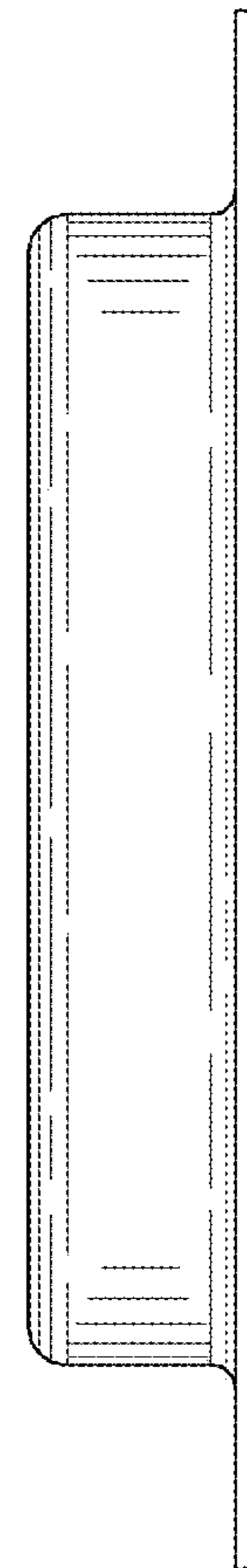
*Fig. 14.*



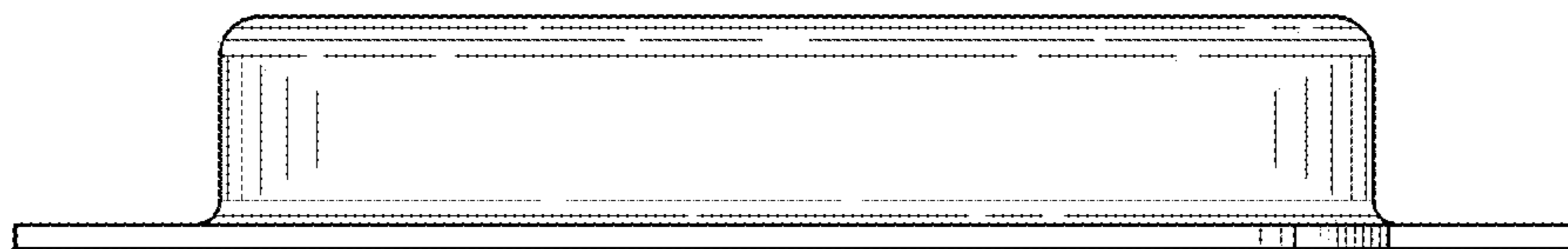
*Fig. 15.*



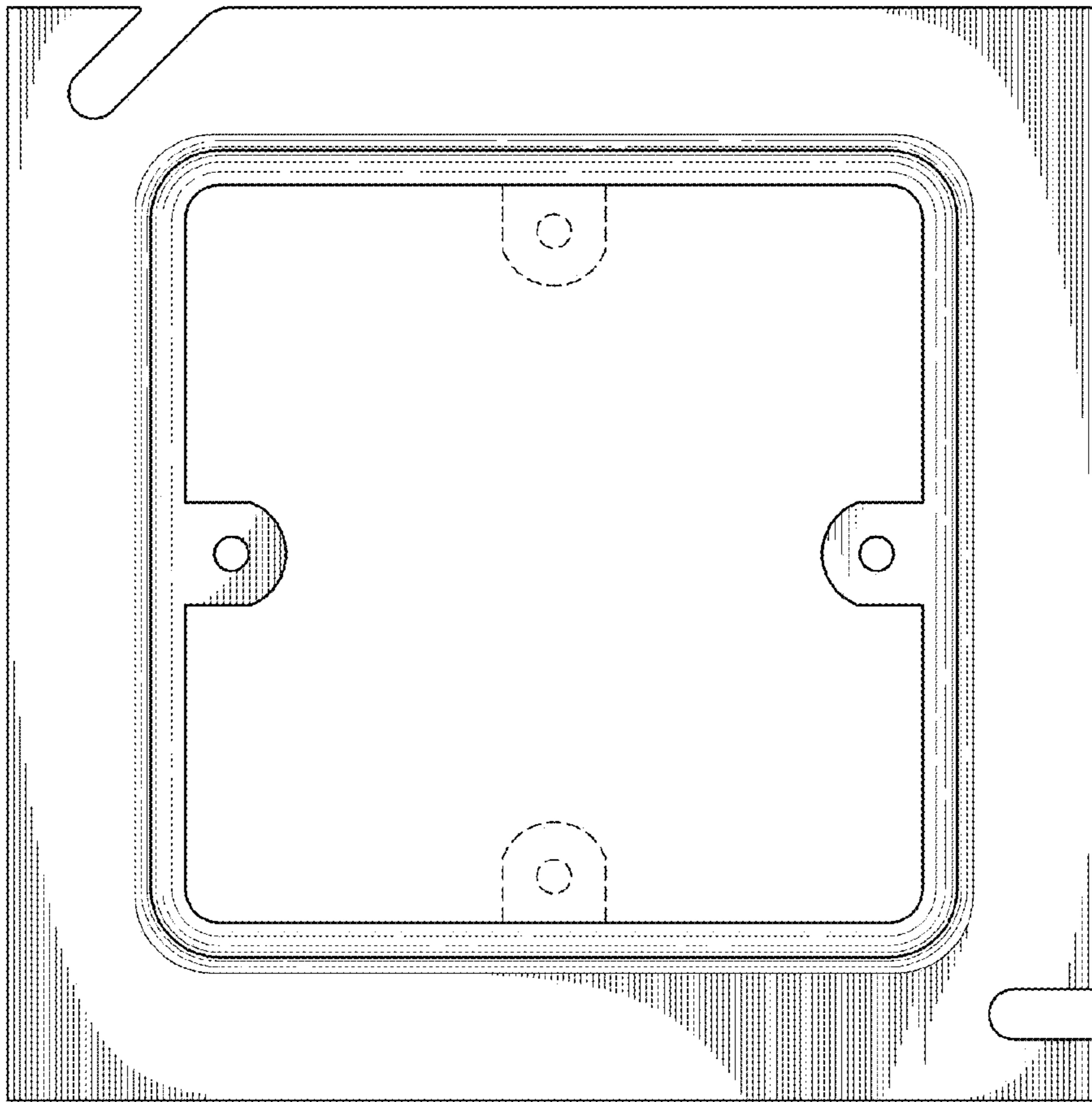
*Fig. 17.*



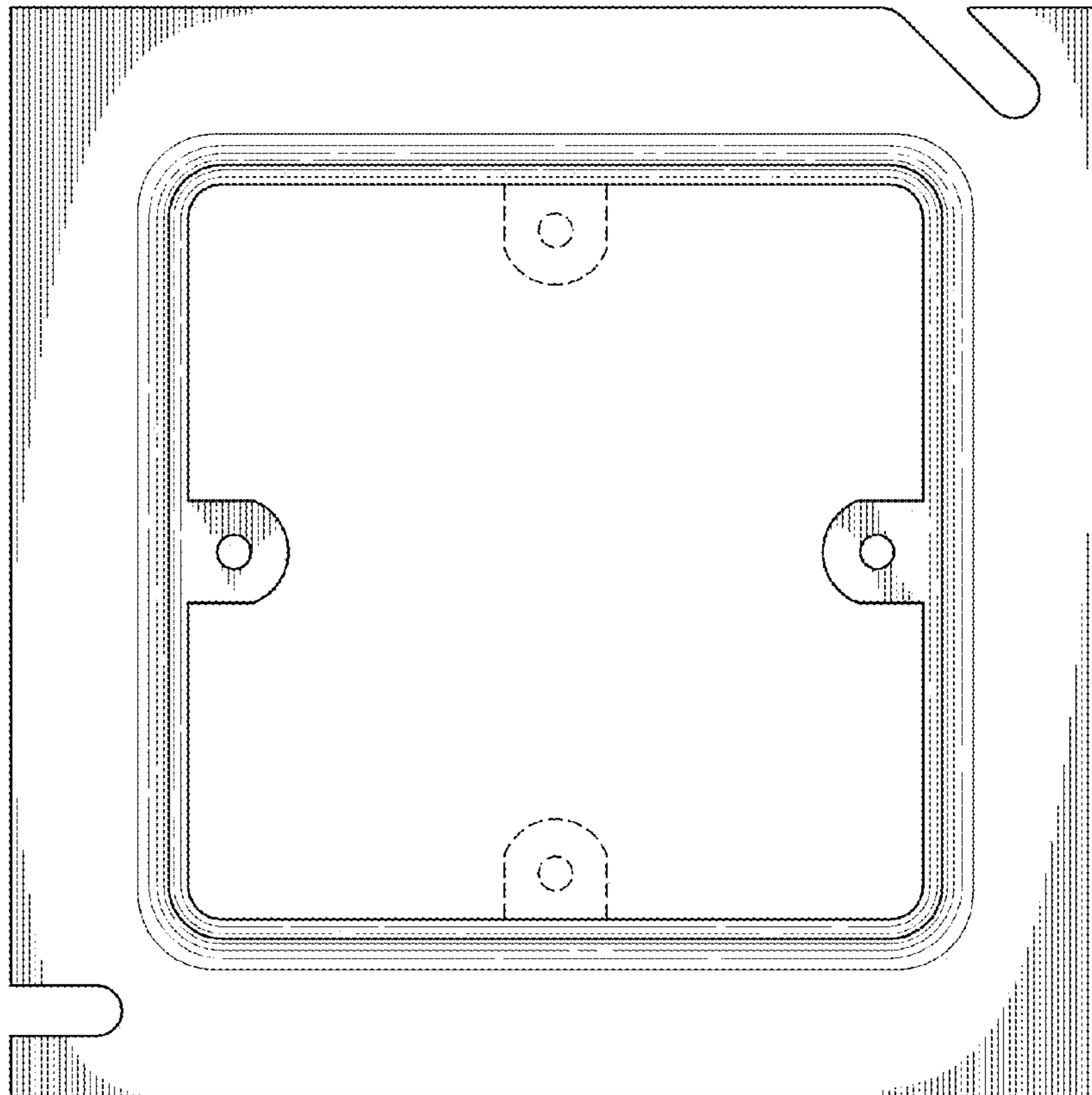
*Fig. 18.*



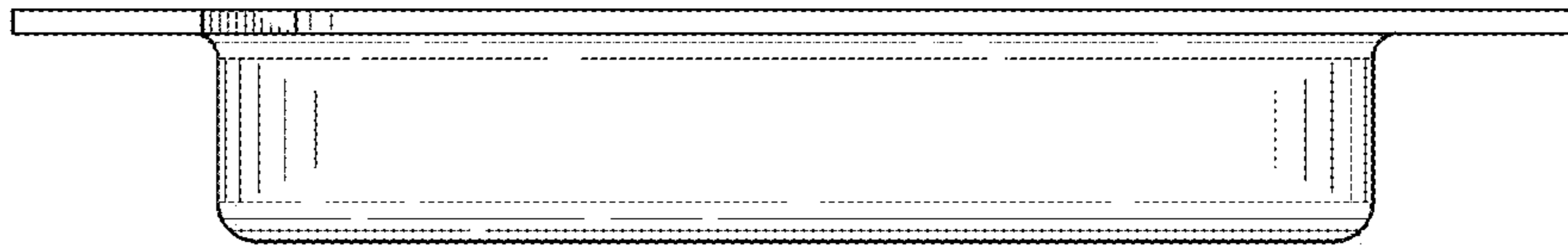
*Fig. 16.*



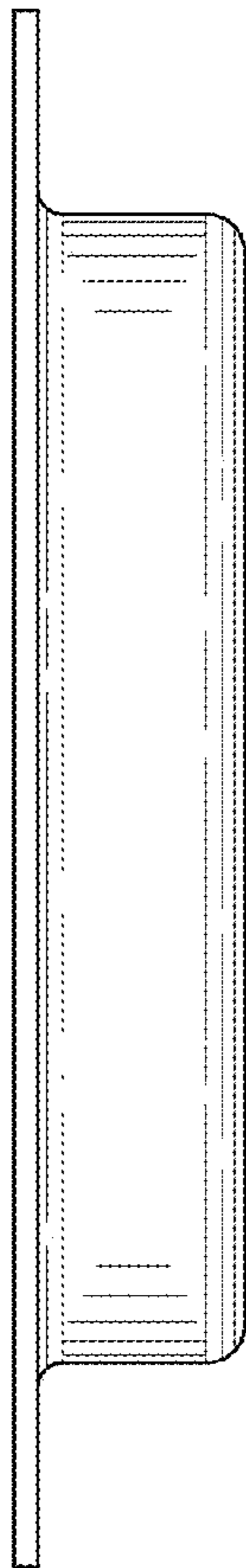
*Fig. 19.*



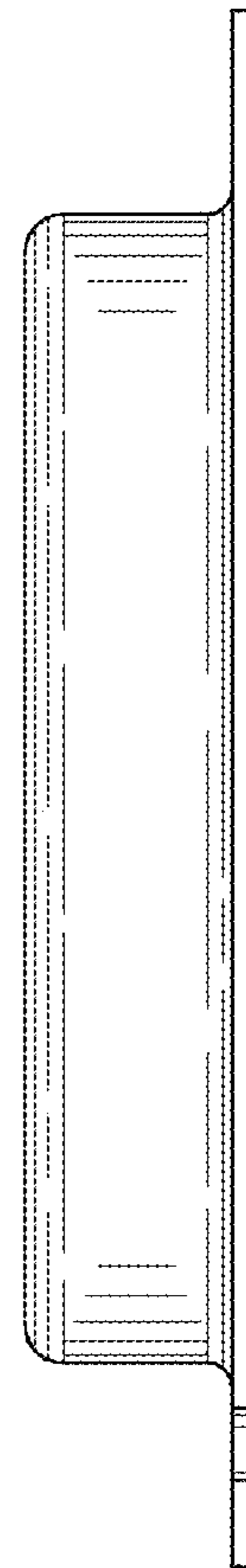
*Fig.20.*



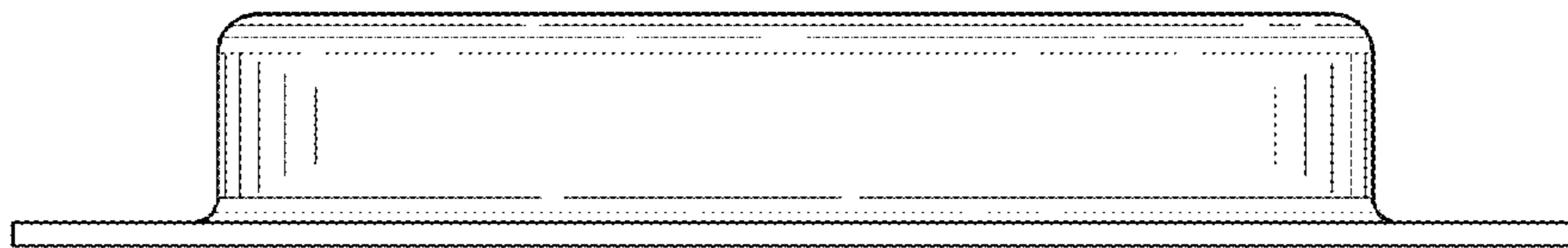
*Fig. 21.*



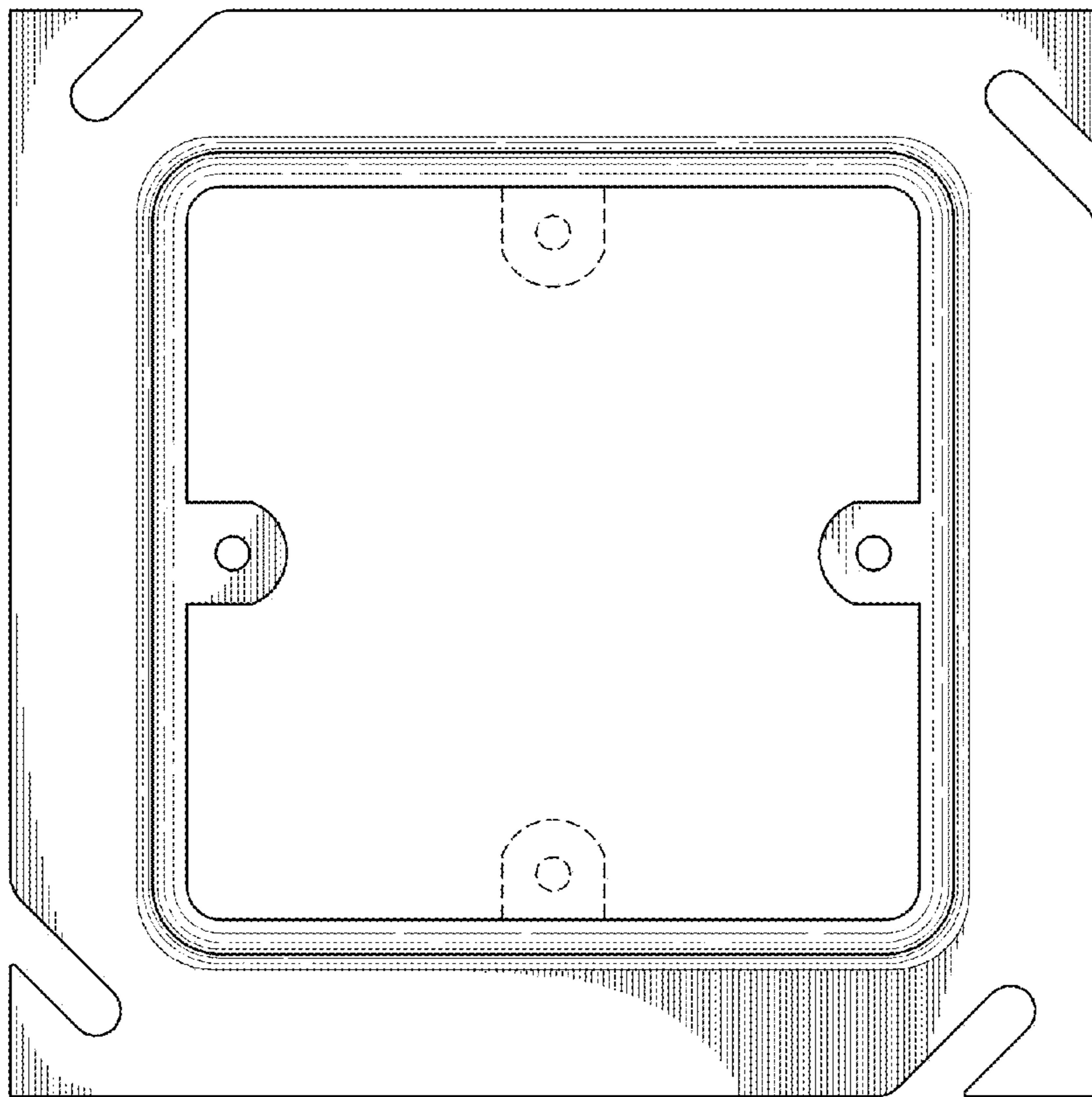
*Fig. 23.*



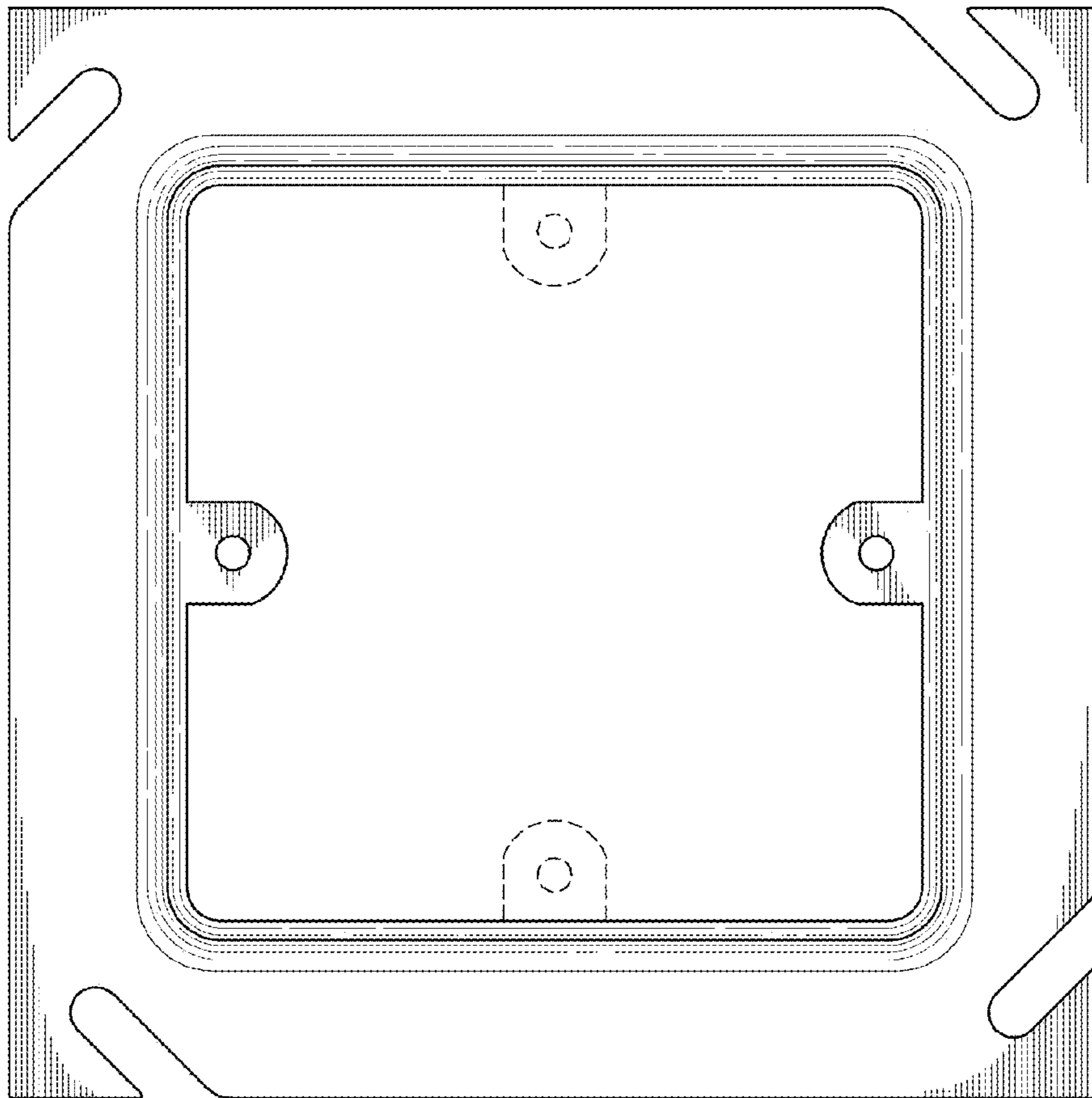
*Fig. 24.*



*Fig. 22.*

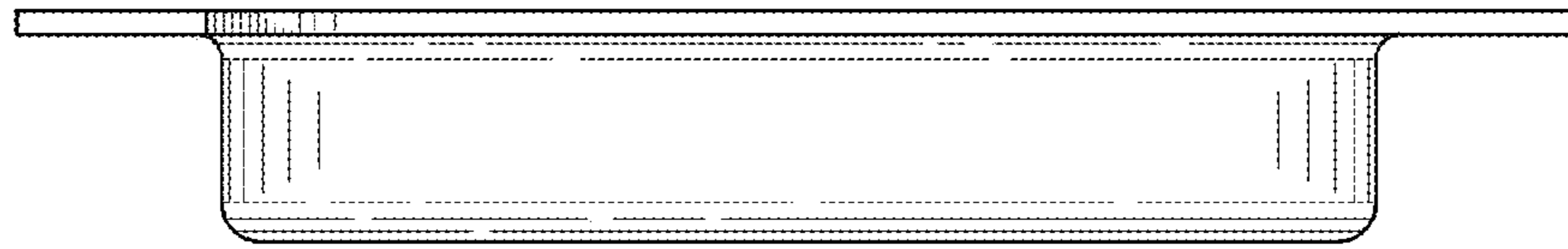


*Fig.25.*

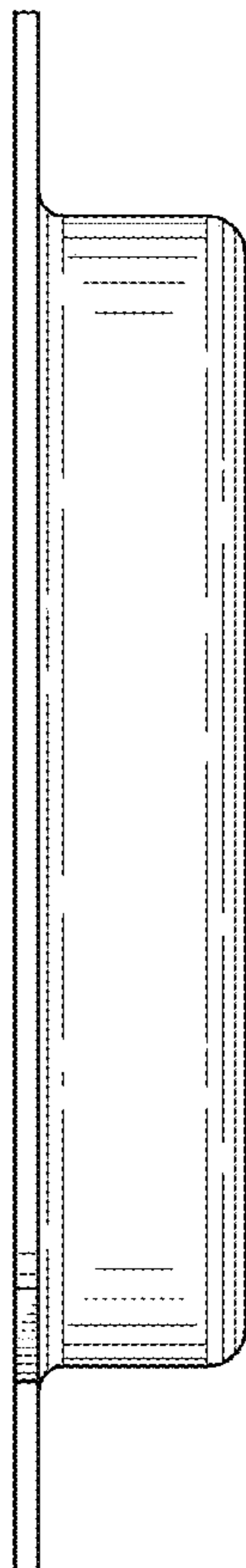


*Fig.26.*

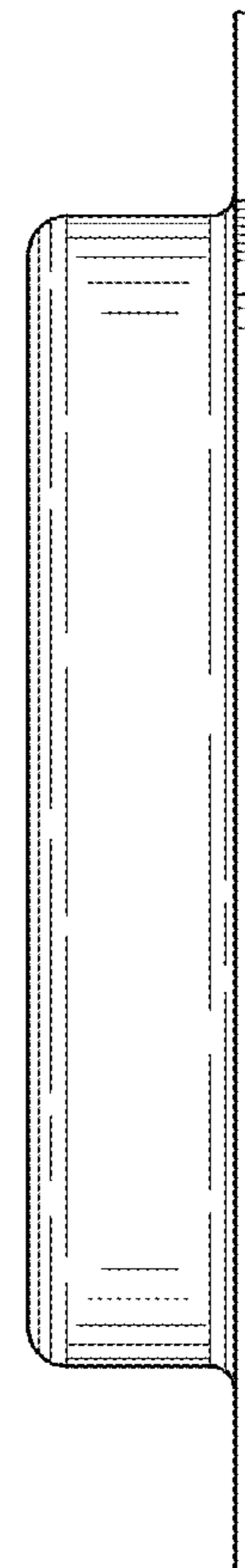




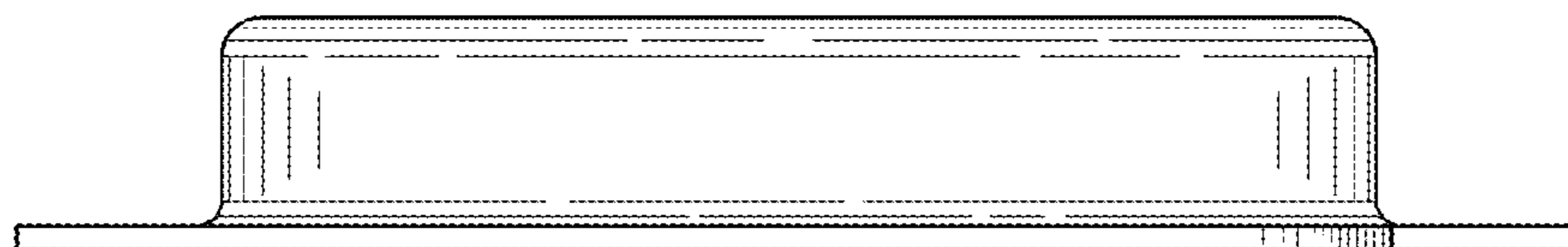
*Fig. 27.*



*Fig. 29.*



*Fig. 30.*



*Fig. 28.*