



US00D732481S

(12) **United States Design Patent**
Chang et al.

(10) **Patent No.:** **US D732,481 S**
(45) **Date of Patent:** **** Jun. 23, 2015**

(54) **ELECTRICAL CONTACT**

(56) **References Cited**

(71) Applicant: **HON HAI PRECISION INDUSTRY CO., LTD.**, New Taipei (TW)

U.S. PATENT DOCUMENTS

(72) Inventors: **Yen-Chih Chang**, New Taipei (TW);
Wei-Hung Hsu, New Taipei (TW)

D552,548 S * 10/2007 Peng D13/133
D553,082 S * 10/2007 Peng D13/133
D602,876 S * 10/2009 Yu D13/154
D605,600 S * 12/2009 Liao et al. D13/154

(73) Assignee: **HON HAI PRECISION INDUSTRY CO., LTD.**, New Taipei (TW)

* cited by examiner

(**) Term: **14 Years**

Primary Examiner — Daniel Bui

(21) Appl. No.: **29/456,099**

(74) *Attorney, Agent, or Firm* — Wei Te Chung; Ming Chieh Chang

(22) Filed: **May 28, 2013**

(57) **CLAIM**

The ornamental design for an electrical contact, as shown and described.

(30) **Foreign Application Priority Data**

DESCRIPTION

Nov. 26, 2012 (CN) 101306111U01

(51) **LOC (10) Cl.** **13-03**

(52) **U.S. Cl.**
USPC **D13/154**

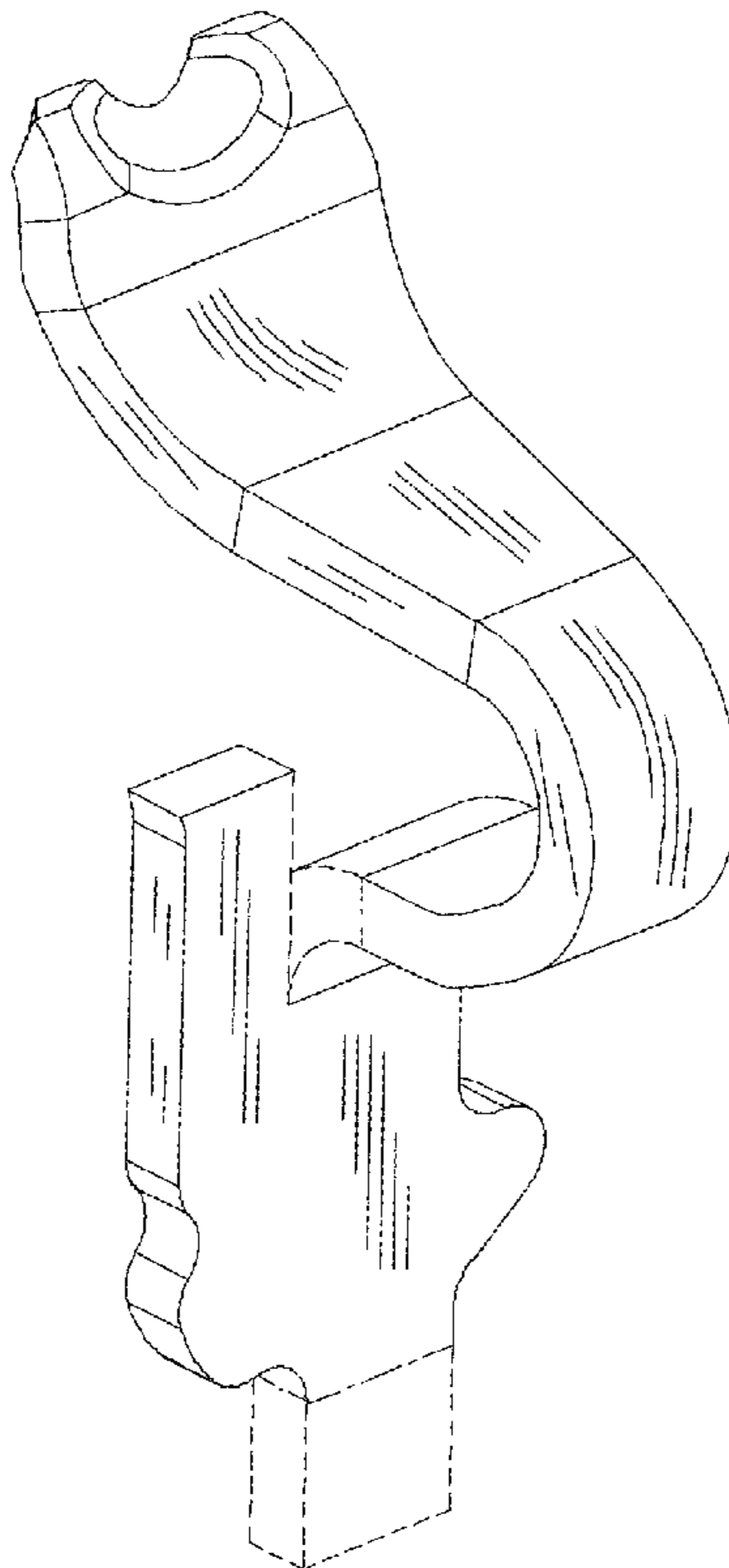
(58) **Field of Classification Search**
USPC D13/120, 133, 147, 154, 184, 199;
439/601.01, 601.02, 601.03, 601.04,
439/601.45, 601.49, 601.58, 688, 844, 849,
439/850–852, 857, 862, 865–867, 870, 877,
439/884–891, 892, 894

FIG. 1 is a front, top and left side perspective view of an electrical contact showing our new design; FIG. 2 is a front elevation view thereof; FIG. 3 is a rear elevation view thereof; FIG. 4 is a left side elevation view thereof; FIG. 5 is a right side elevation view thereof; FIG. 6 is a top plan view thereof; and, FIG. 7 is a bottom plan view thereof.

In the drawing views, the even-broken line showing of the environment is for illustrative purposes only and forms no part of the claimed design. The dash-dot line represents the boundary of the claimed design.

See application file for complete search history.

1 Claim, 7 Drawing Sheets



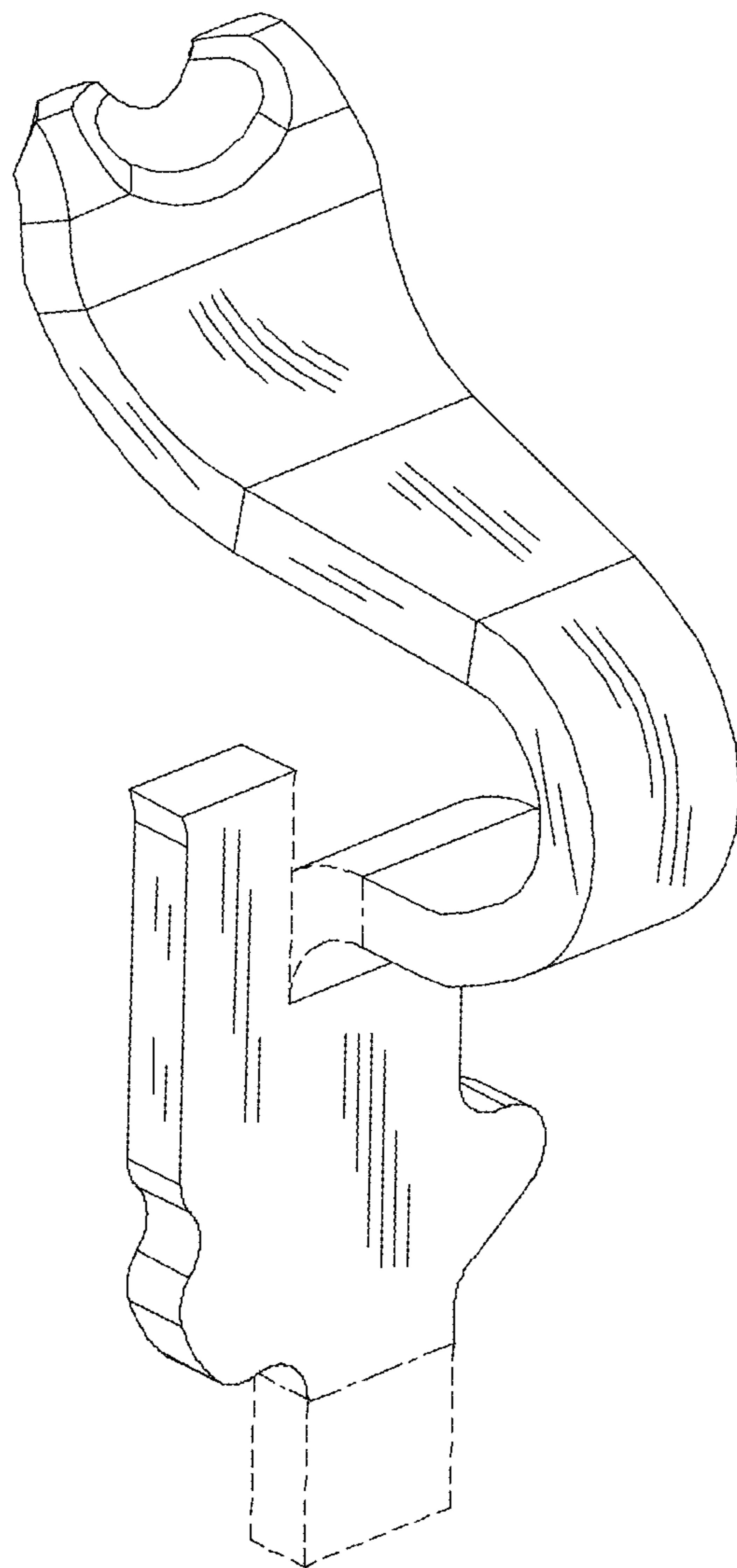


FIG. 1

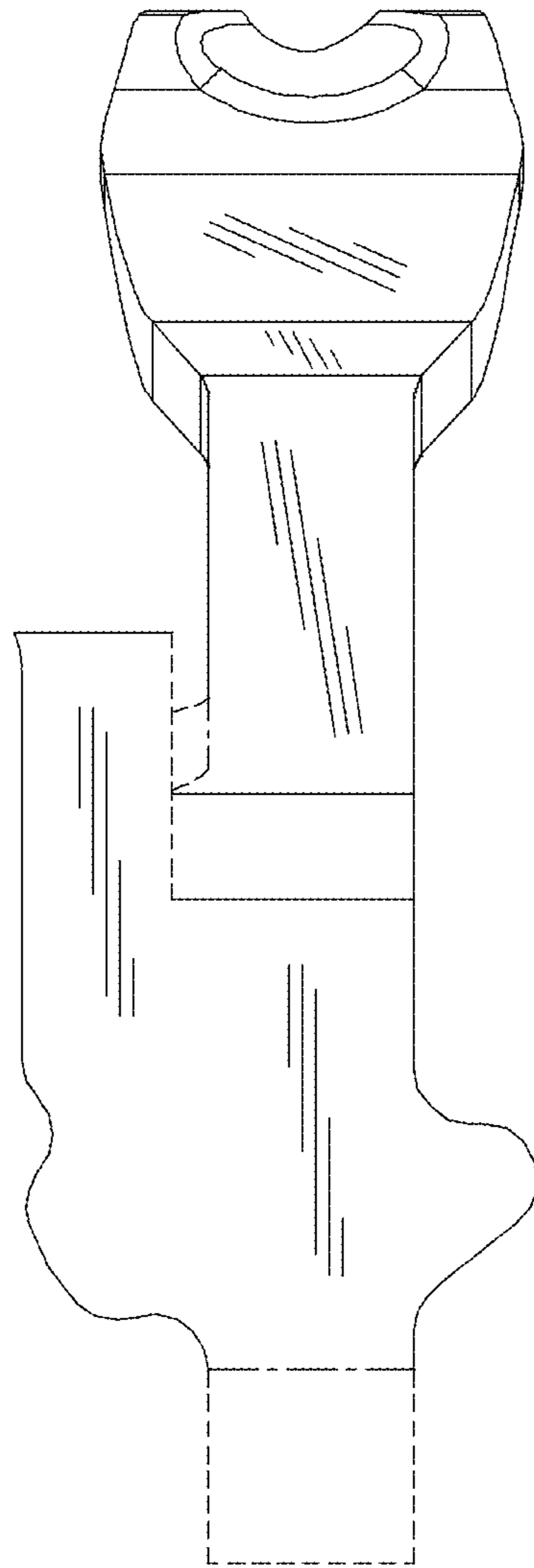


FIG. 2

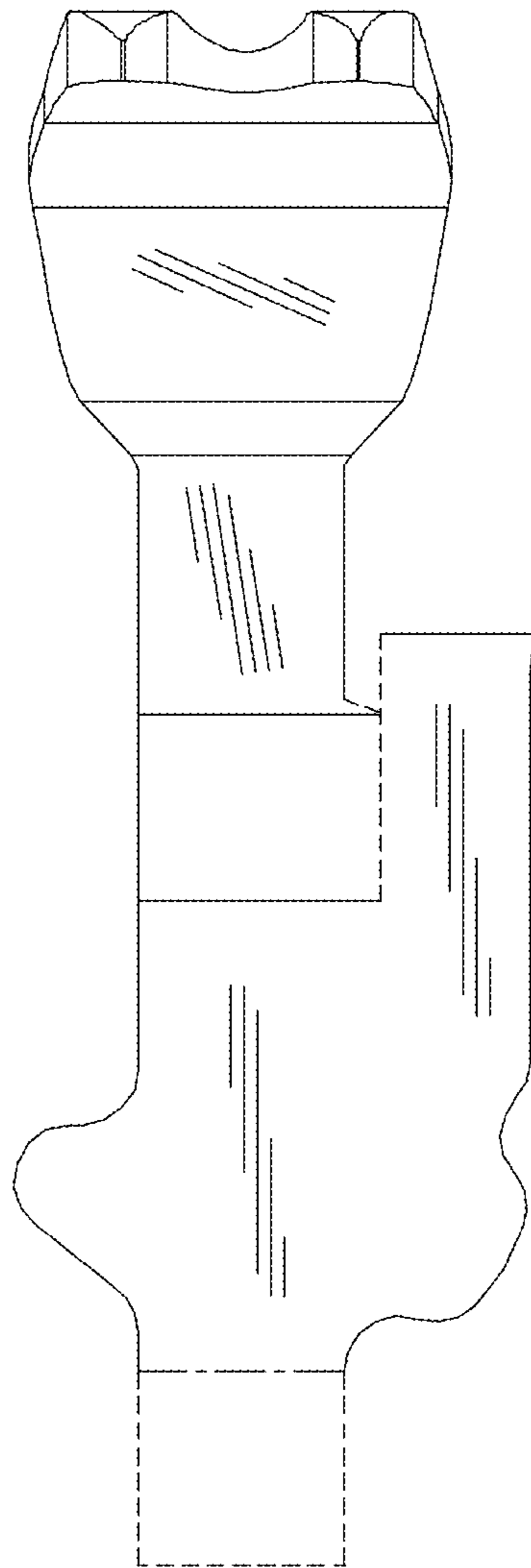


FIG. 3

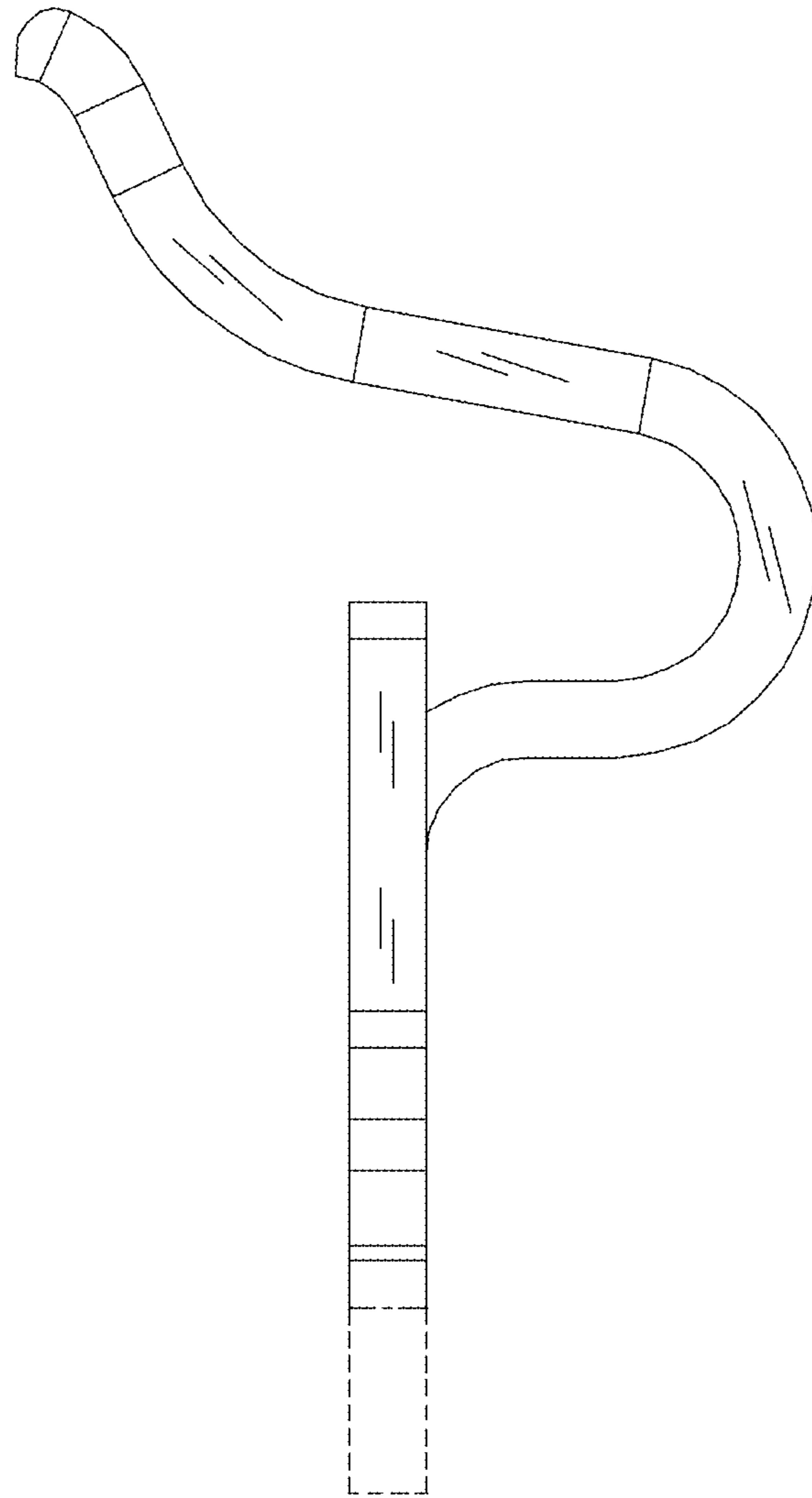


FIG. 4

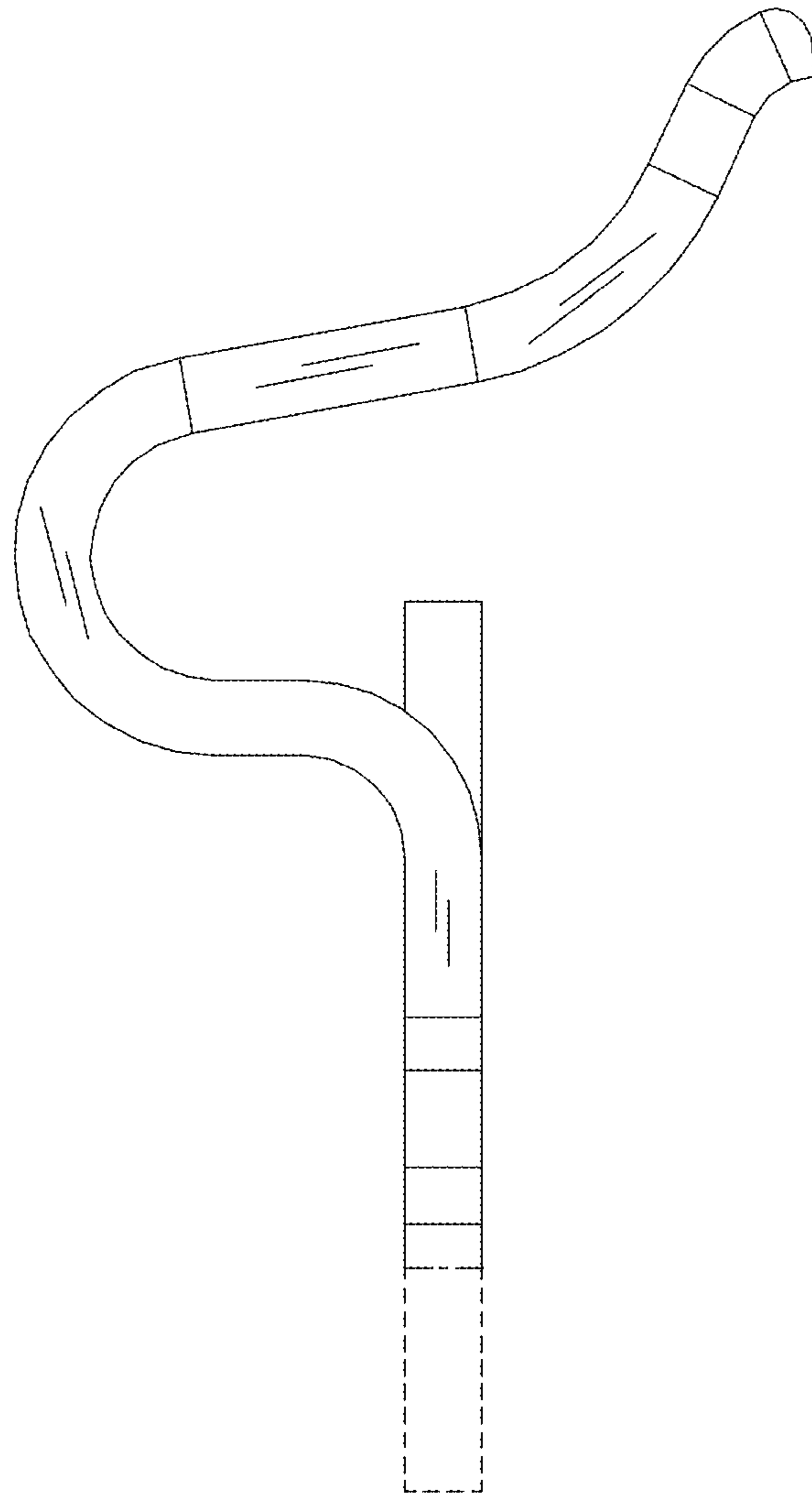


FIG. 5

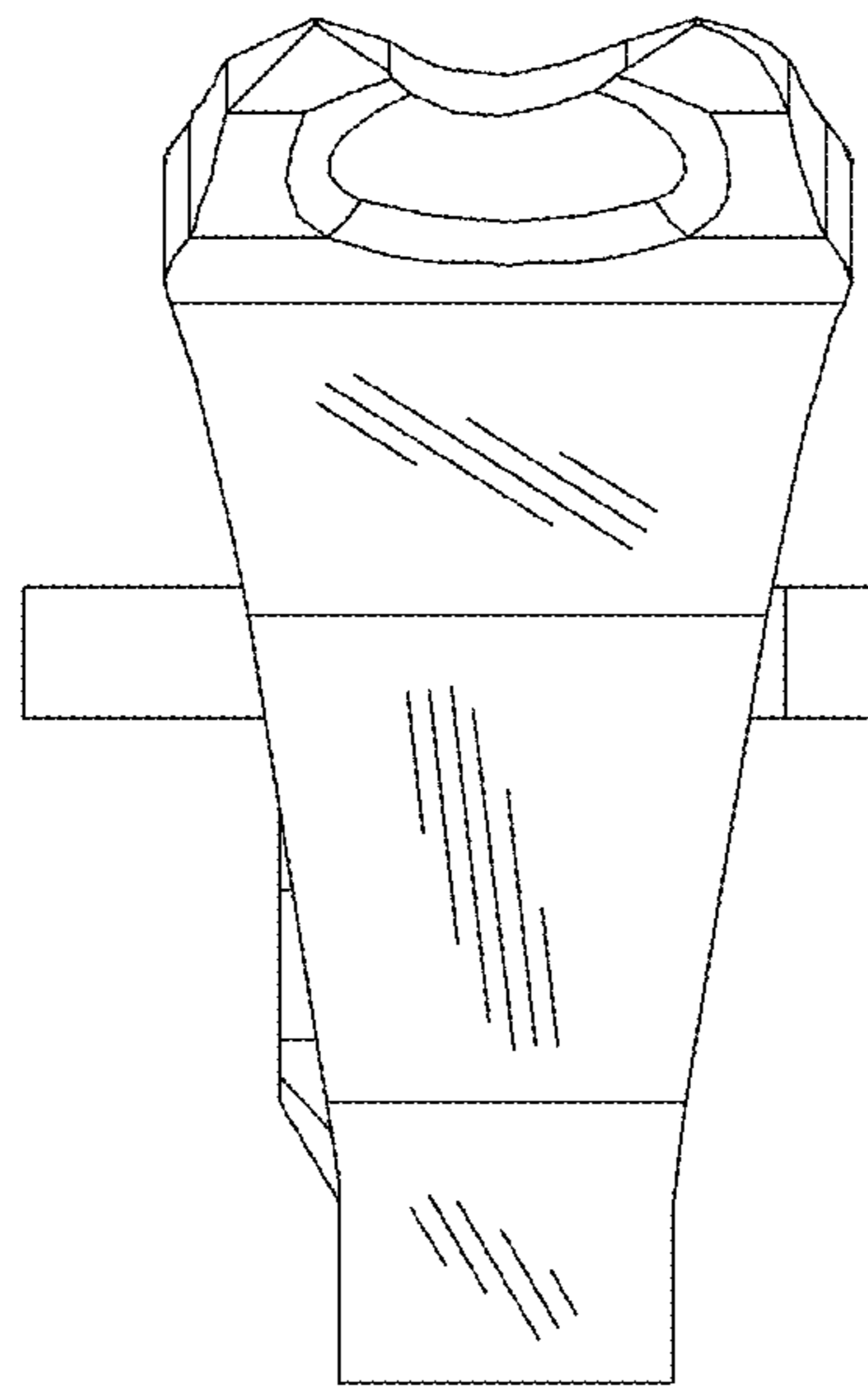


FIG. 6

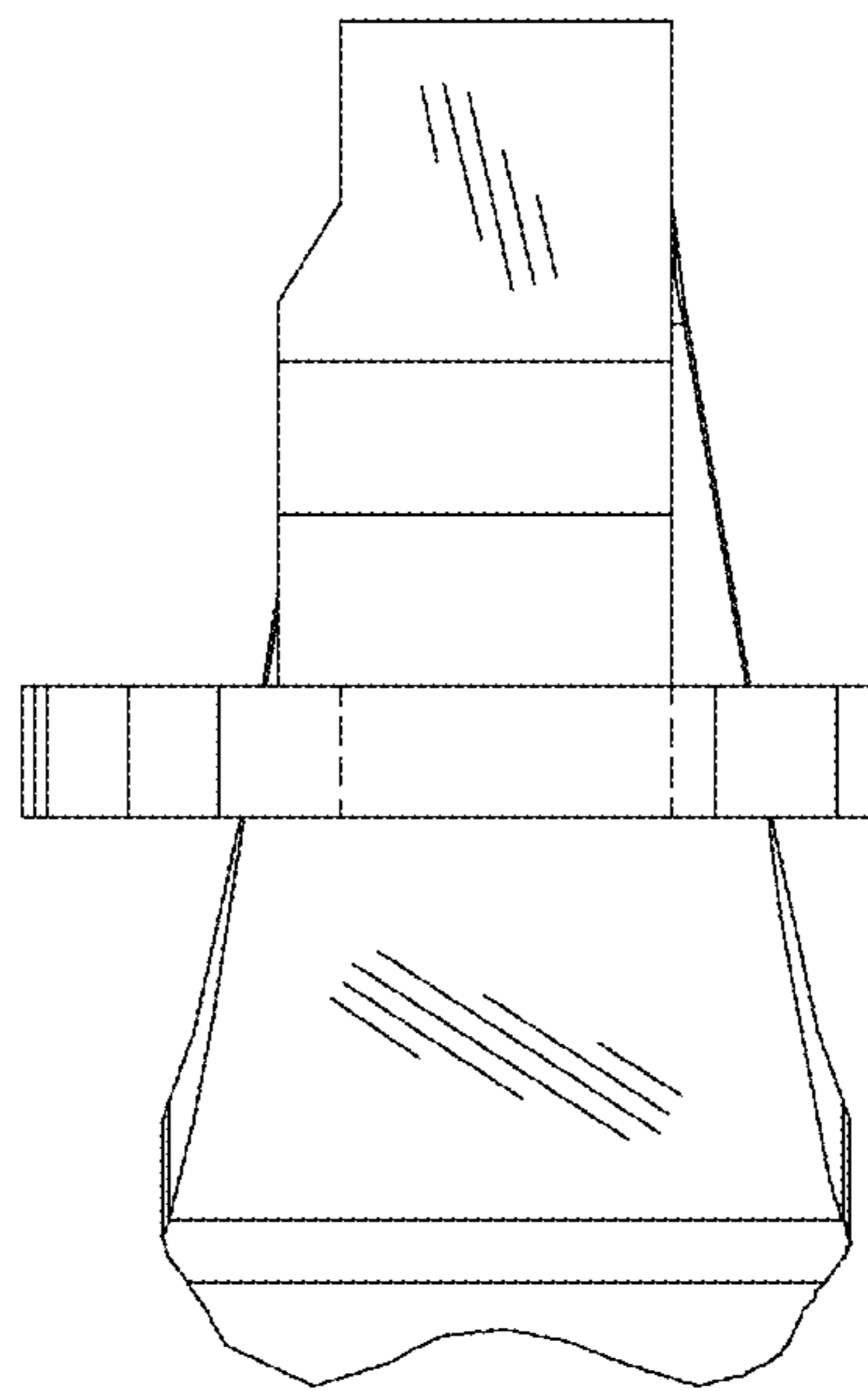


FIG. 7