



US00D732479S

(12) **United States Design Patent**
Scholeno

(10) **Patent No.:** **US D732,479 S**
(45) **Date of Patent:** **** Jun. 23, 2015**

(54) **VERTICAL ELECTRICAL CONNECTOR**

(71) Applicant: **Michael Scholeno**, York, PA (US)

(72) Inventor: **Michael Scholeno**, York, PA (US)

(73) Assignee: **FCI AMERICAS TECHNOLOGY LLC**, Carson City, NV (US)

(**) Term: **14 Years**

(21) Appl. No.: **29/508,058**

(22) Filed: **Nov. 3, 2014**

Related U.S. Application Data

(62) Division of application No. 29/420,039, filed on May 3, 2012, now Pat. No. Des. 718,244.

(51) **LOC (10) Cl.** **13-03**

(52) **U.S. Cl.**
USPC **D13/147**

(58) **Field of Classification Search**
USPC D13/147, 154, 184, 199; 439/74, 108, 439/180, 246, 252, 278, 374, 378, 379, 381, 439/527, 529, 533, 660, 717, 865-894, 439/953; 174/16.3; 257/697, 727; 361/769
See application file for complete search history.

(56) **References Cited**

U.S. PATENT DOCUMENTS

D205,509 S	8/1966	Reynolds	
D210,829 S	4/1968	Hanlon et al.	
D497,343 S	10/2004	Busse et al.	
D598,389 S	8/2009	Yu et al.	
D608,292 S	1/2010	Stütz	
D611,906 S	3/2010	Takada et al.	
D611,907 S	3/2010	Takada et al.	
D718,243 S	11/2014	Scholeno	
D718,244 S *	11/2014	Scholeno D13/147
D718,248 S	11/2014	Harper	
D718,249 S	11/2014	Lord et al.	

D718,250 S	11/2014	Lord
2004/0161954 A1	8/2004	Johnescu et al.
2006/0160425 A1	7/2006	Fuerst
2012/0034820 A1	2/2012	Lang et al.
2012/0258633 A1	10/2012	Johnson et al.

OTHER PUBLICATIONS

SFF-Committee, "Mini Multilane 12 Gbs 8/4X Unshielded Connector," SFF-8643 Rev. 2.3, Jan. 11, 2011, 24 pages.

* cited by examiner

Primary Examiner — Daniel Bui

(74) *Attorney, Agent, or Firm* — Baker & Hostetler LLP

(57) **CLAIM**

The ornamental design for a vertical electrical connector, as shown and described.

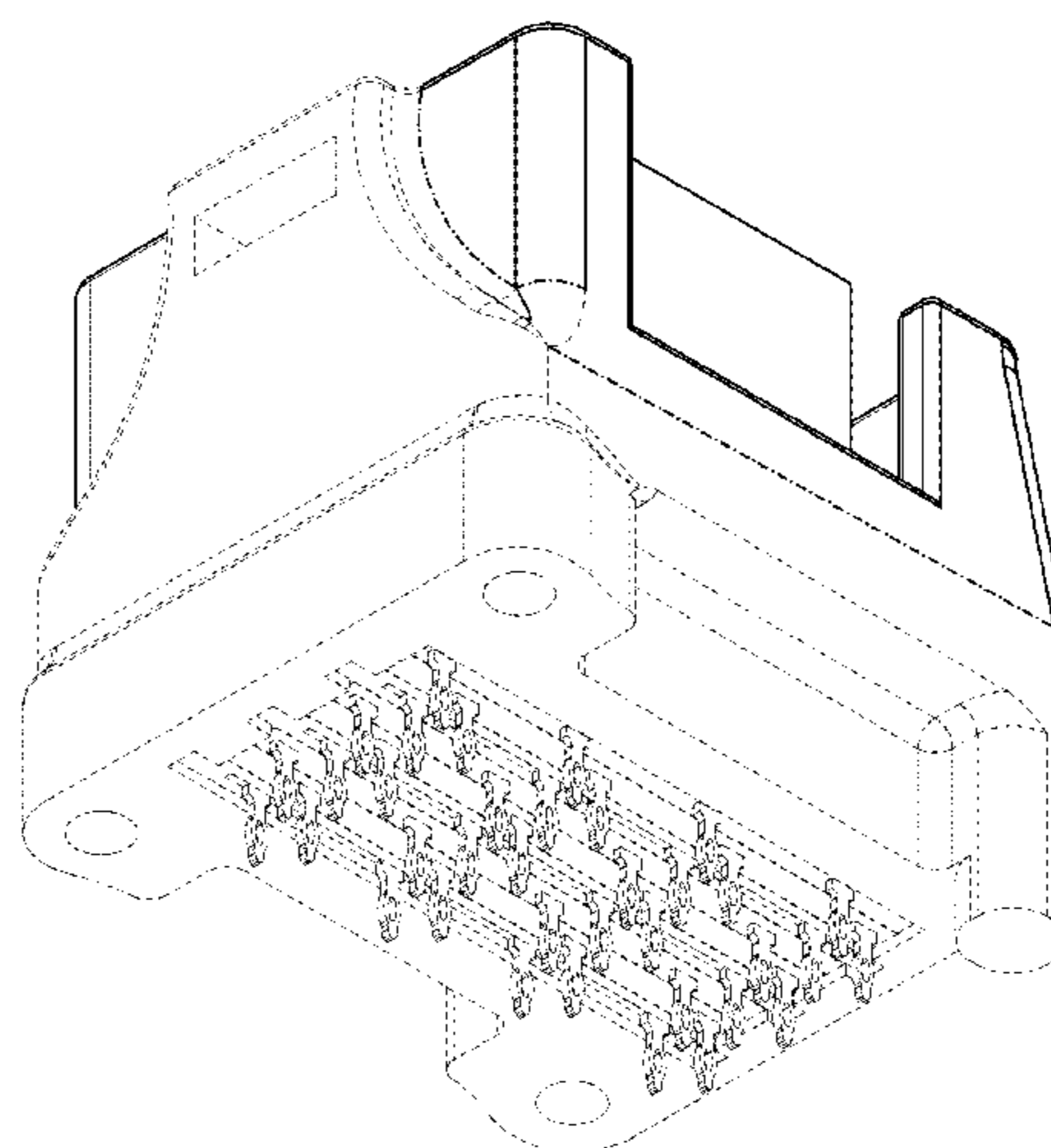
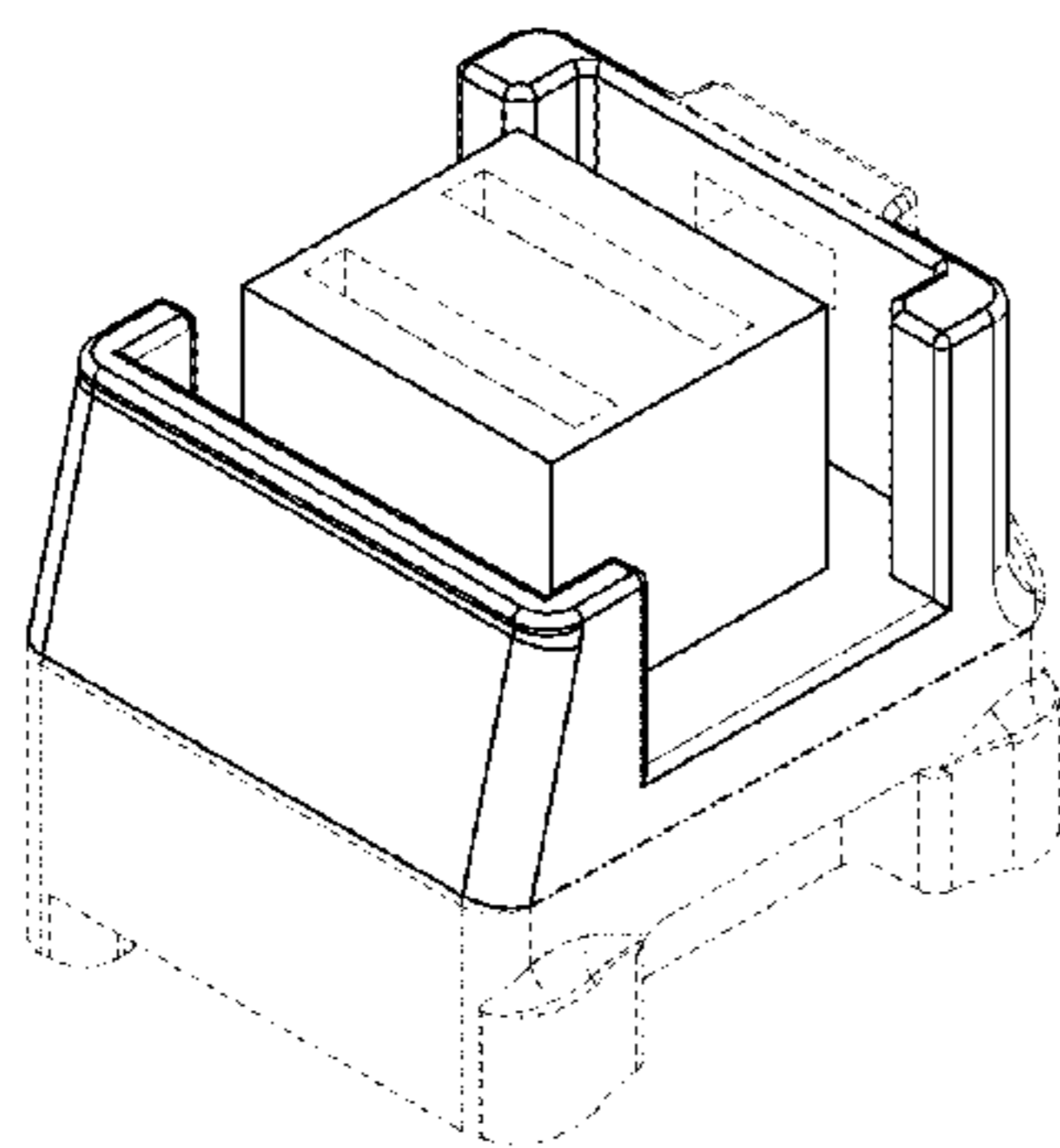
DESCRIPTION

FIG. 1 is a top, right, front perspective view of a vertical electrical connector showing my design; FIG. 2 is another top, right, front perspective view of thereof; FIG. 3 is a bottom, left, front perspective view thereof; FIG. 4 is a top, right, rear perspective view thereof; FIG. 5 is a bottom, left, rear perspective view thereof; FIG. 6 is a right side elevation view thereof; FIG. 7 is a left side elevation view thereof; FIG. 8 is a front elevation view thereof; FIG. 9 is a rear elevation view thereof; FIG. 10 is a bottom plan view thereof; and, FIG. 11 is a top plan view thereof.

The even-broken line in the drawing is included to show unclaimed environment and forms no part of the claimed design. The dash-dot broken line represents the boundary of the claimed design.

In a preferred embodiment, the nature of this product is an electrical component that can take the form of a vertical electrical connector and a connector housing therefor.

1 Claim, 6 Drawing Sheets



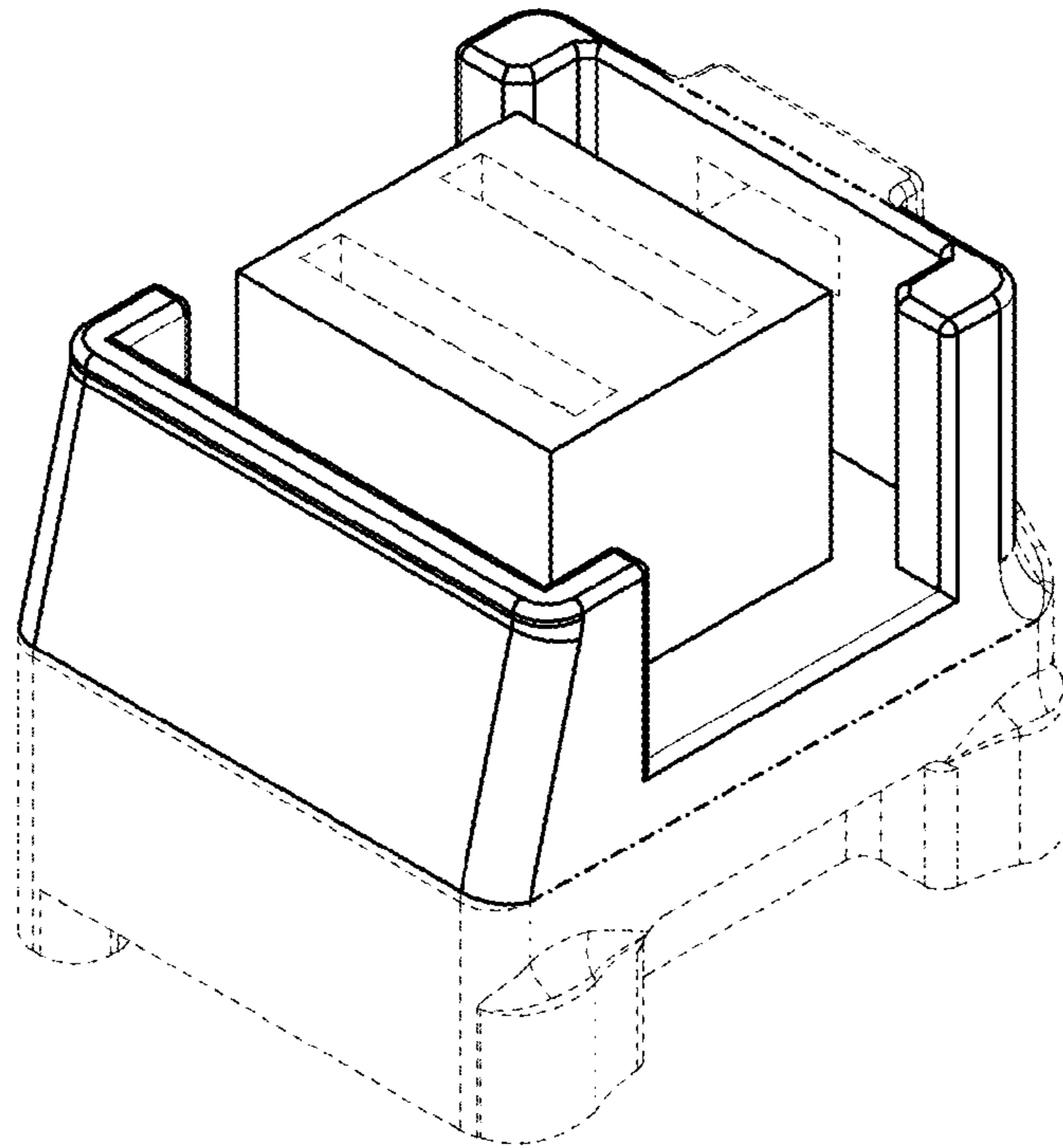


Fig.1

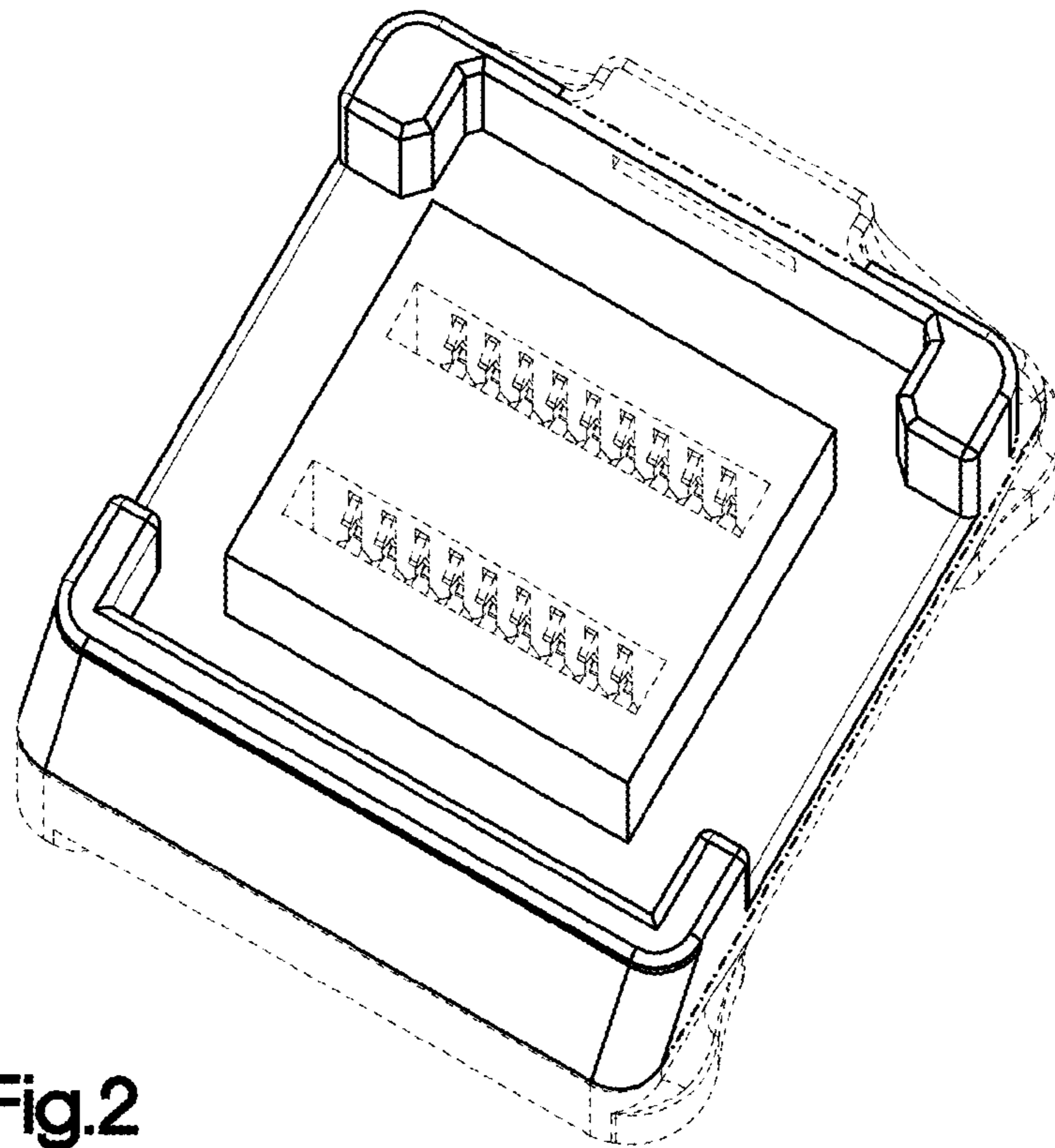


Fig.2

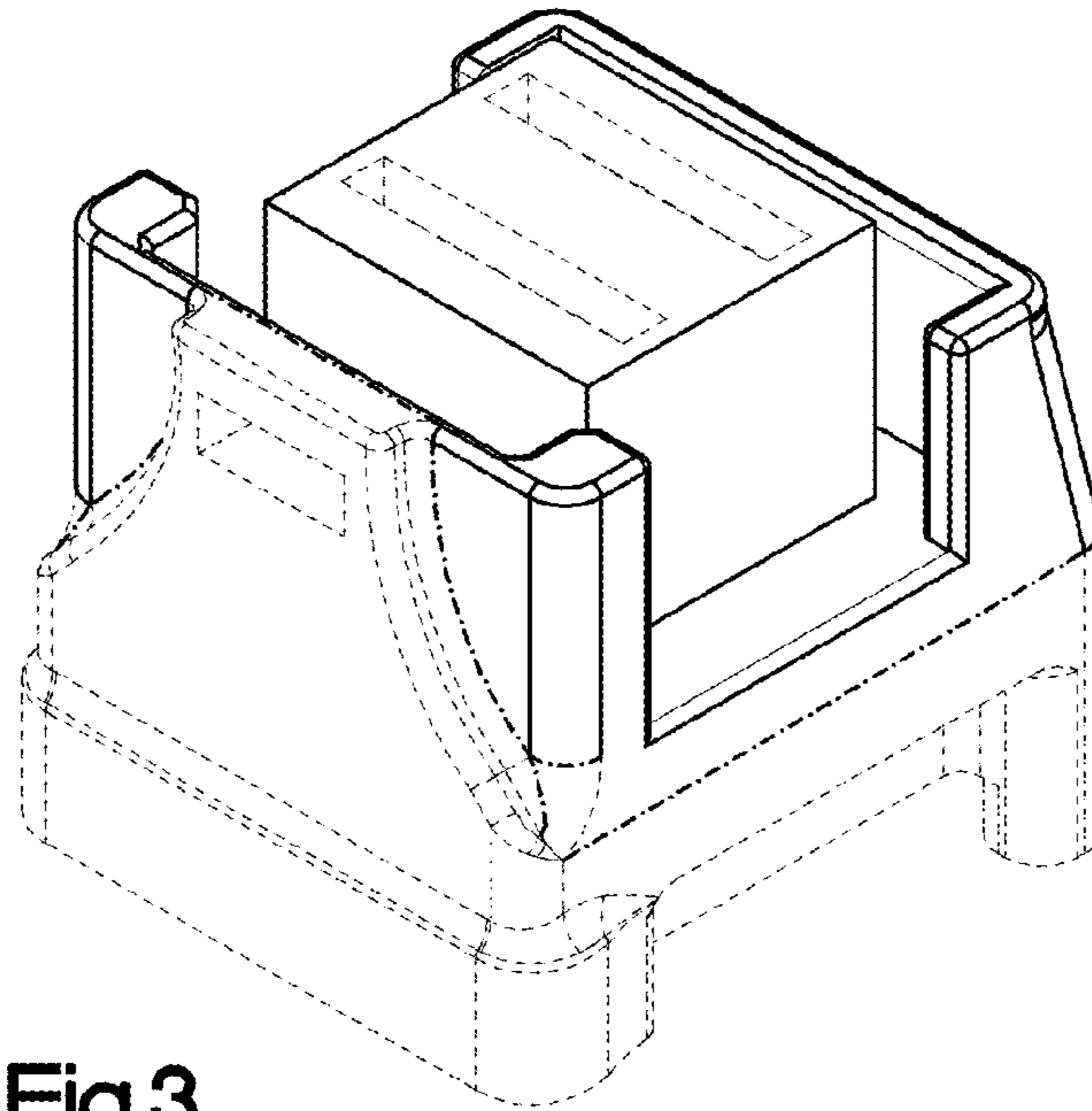


Fig.3

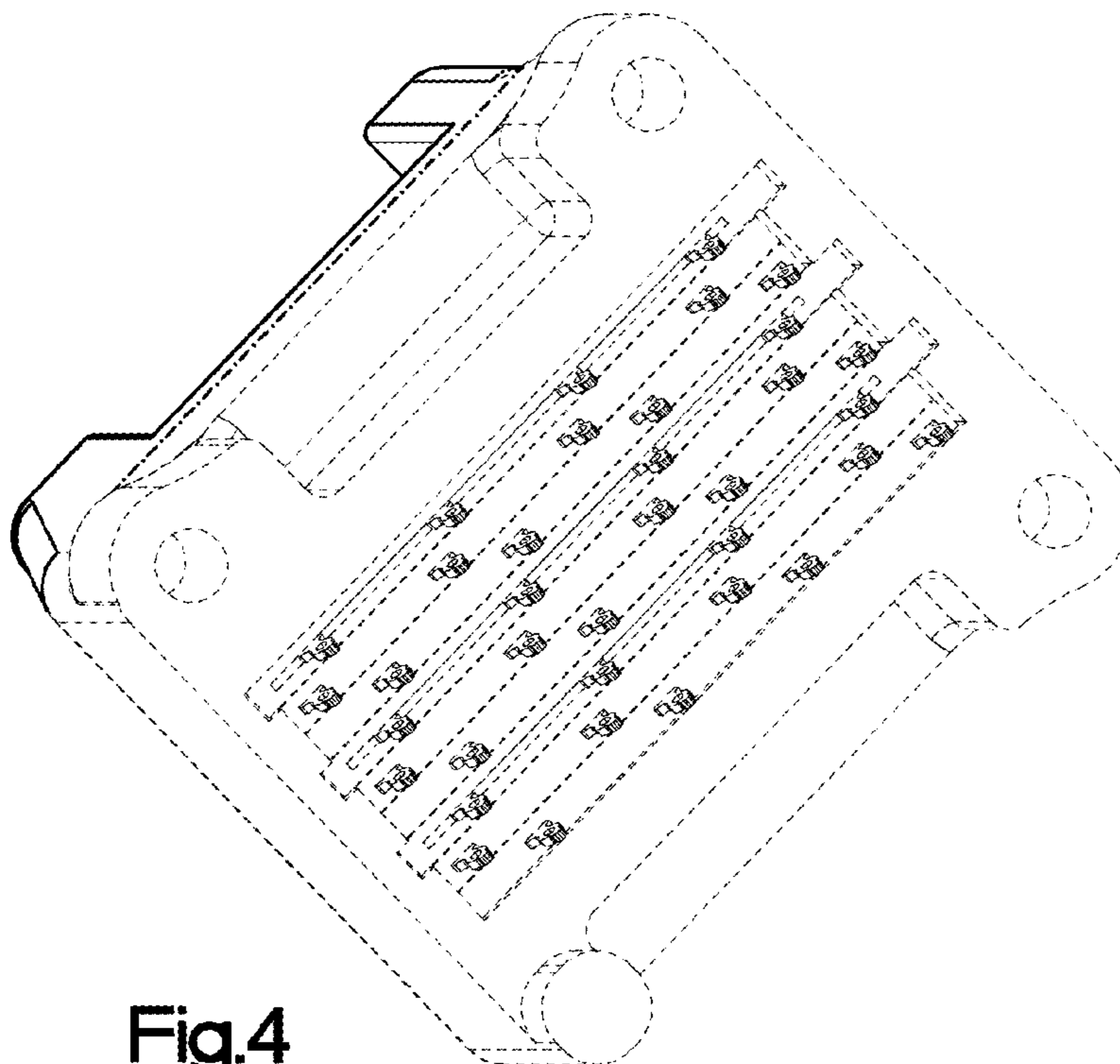


Fig.4

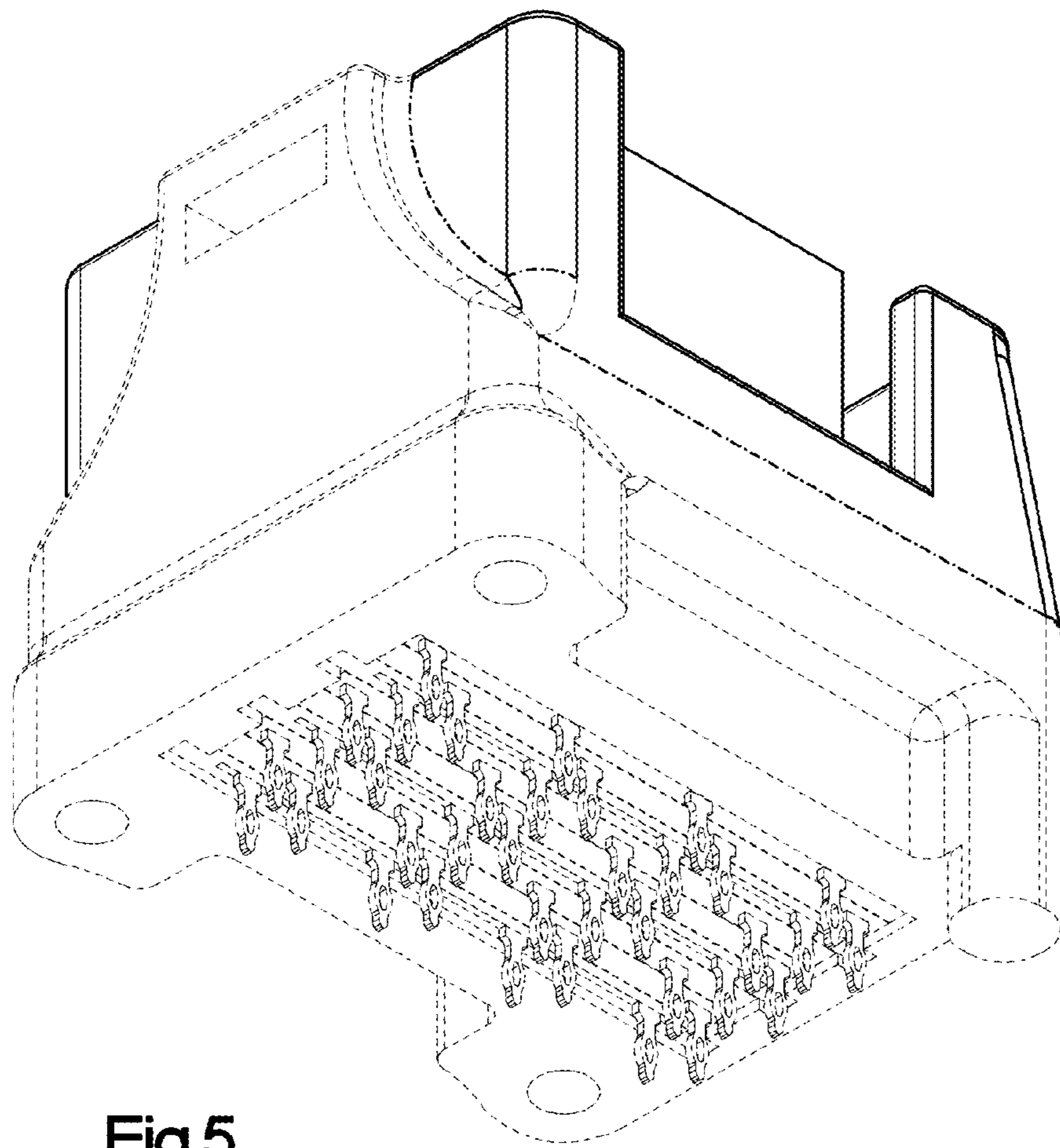


Fig.5

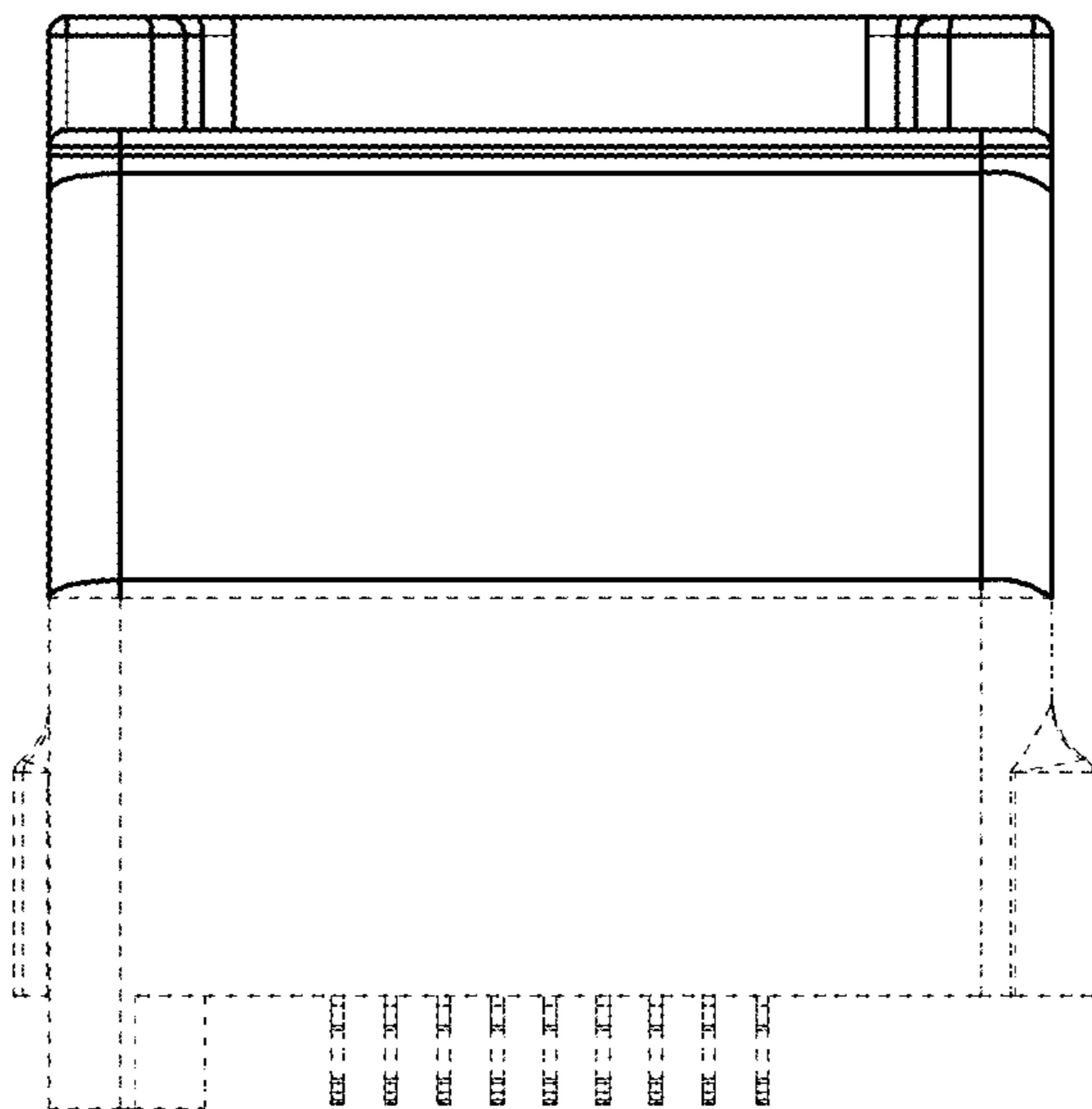


Fig.6

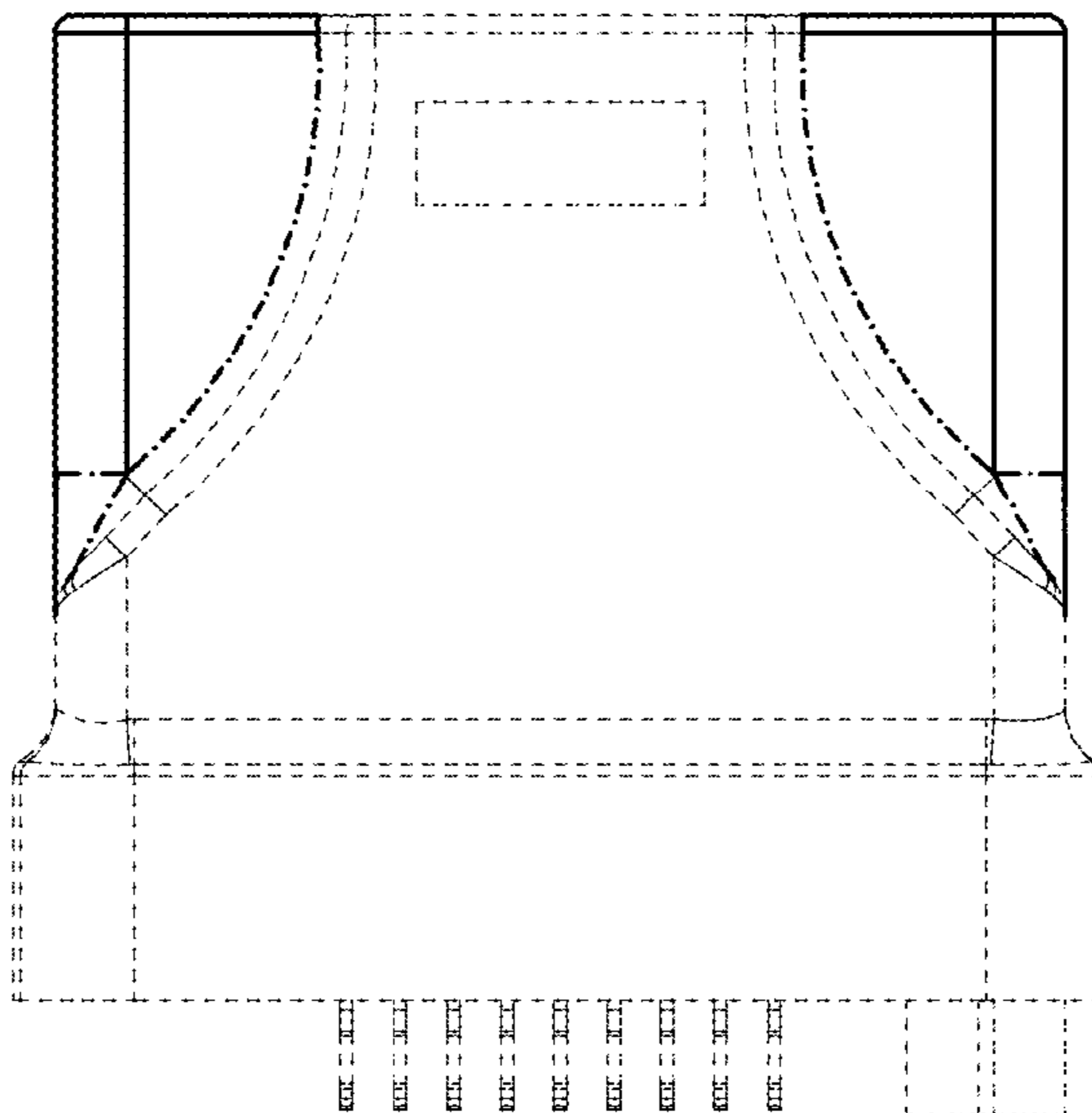


Fig.7

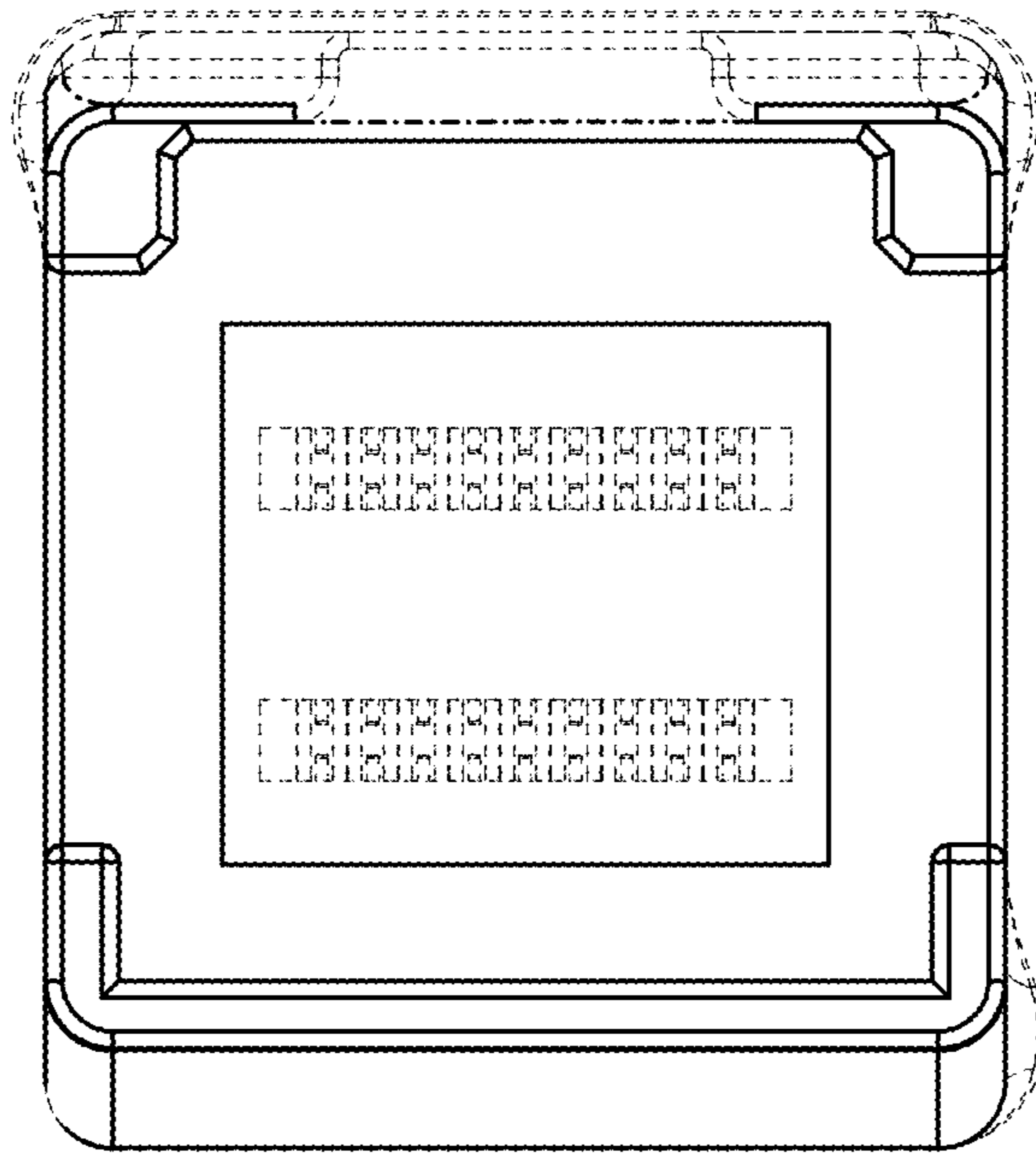


Fig.8

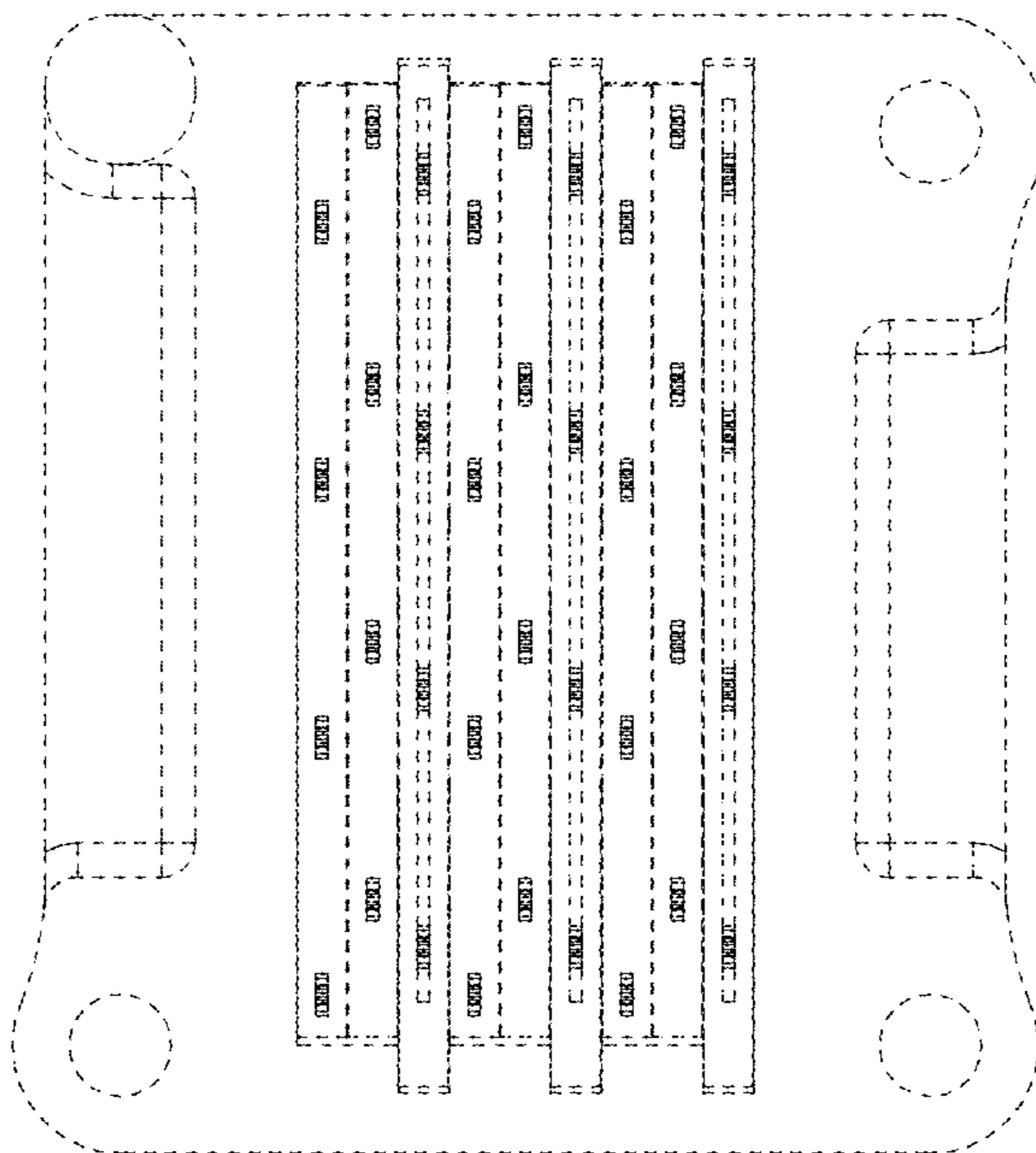


Fig.9

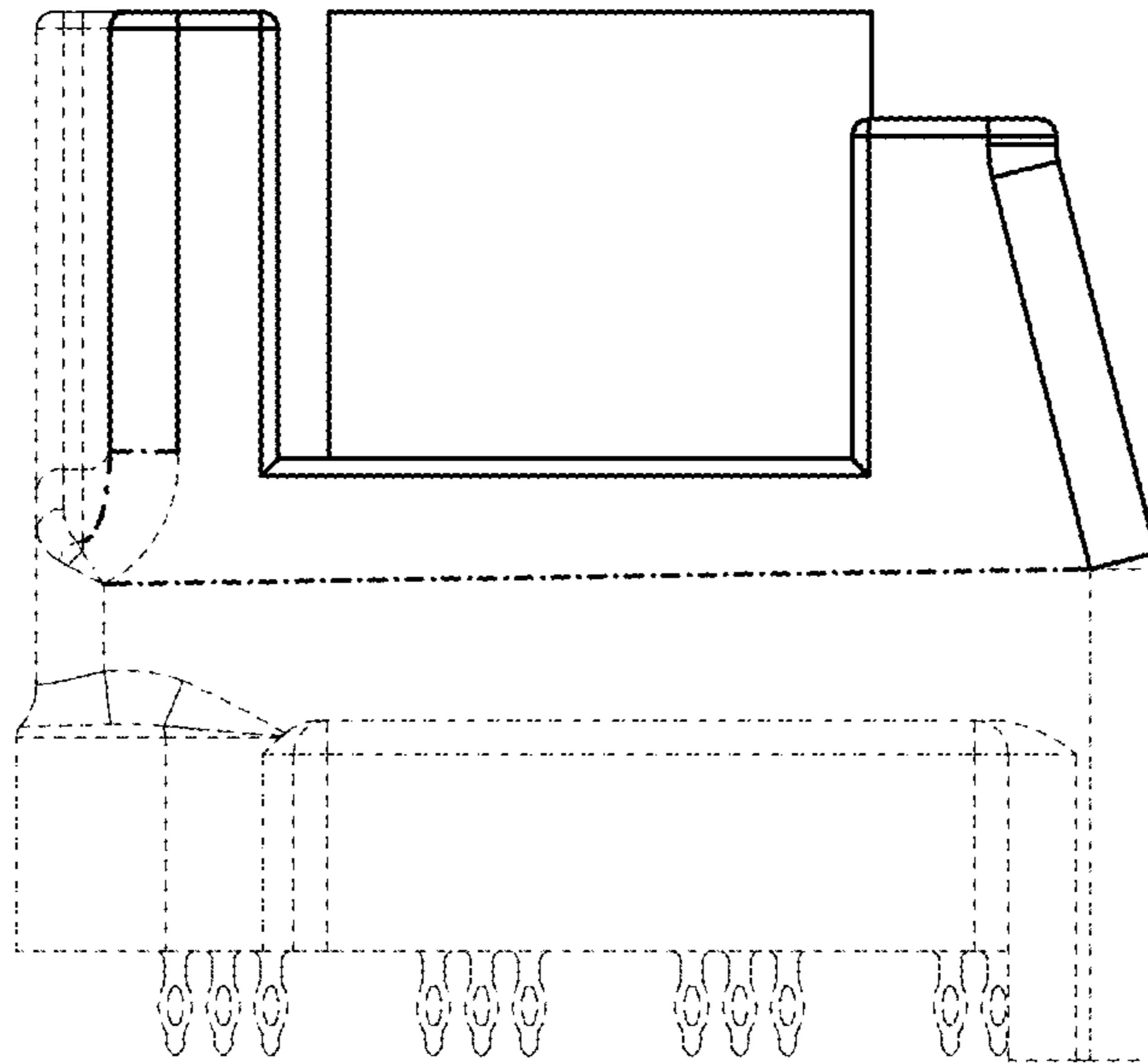


Fig.10

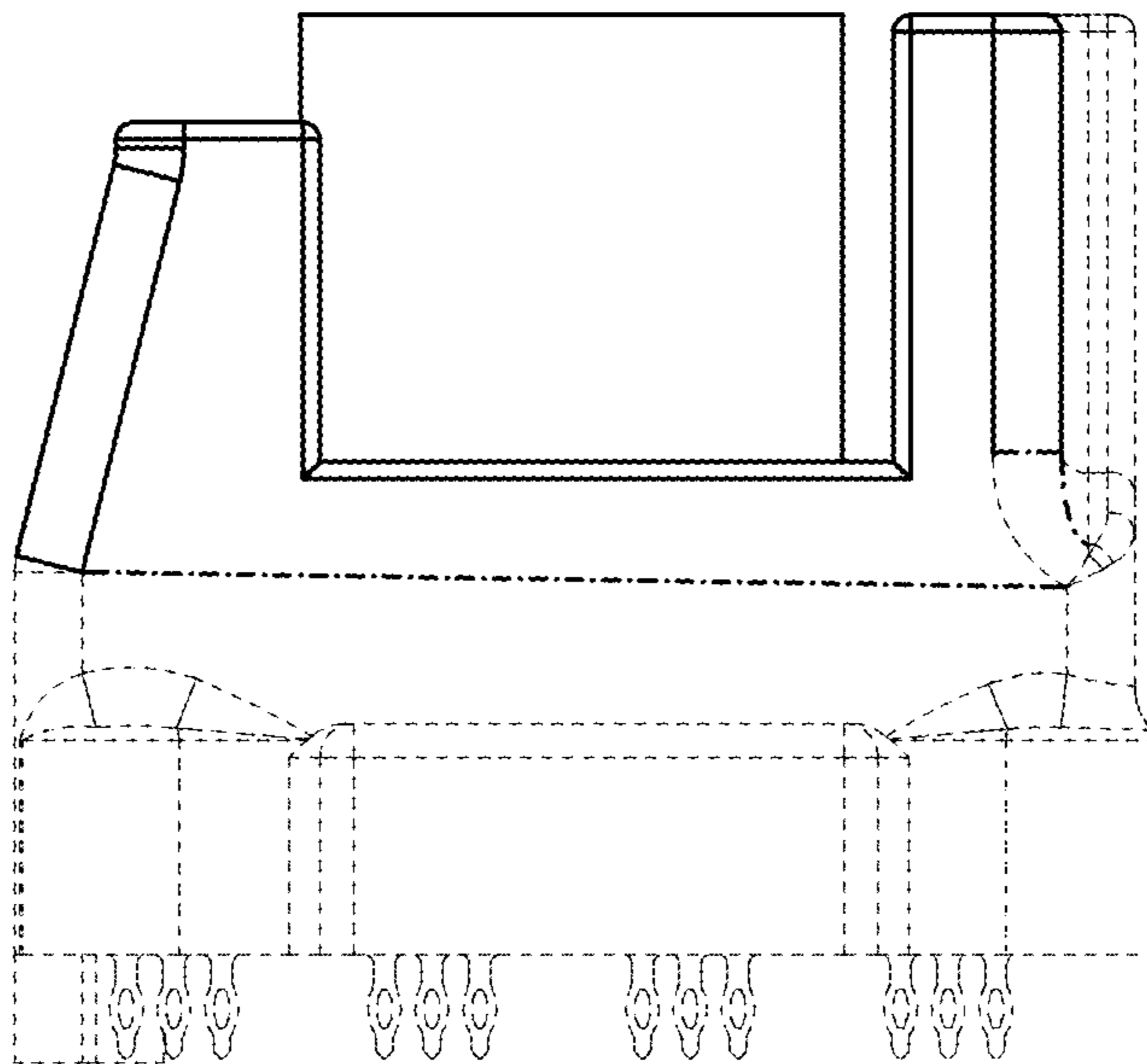


Fig.11

UNITED STATES PATENT AND TRADEMARK OFFICE
CERTIFICATE OF CORRECTION

PATENT NO. : D732,479 S
APPLICATION NO. : 29/508058
DATED : June 23, 2015
INVENTOR(S) : Scholeno

Page 1 of 1

It is certified that error appears in the above-identified patent and that said Letters Patent is hereby corrected as shown below:

On the title page item [62], delete the term "Division" and insert --Continuation.--

Signed and Sealed this
Tenth Day of May, 2016



Michelle K. Lee
Director of the United States Patent and Trademark Office