

US00D732478S

(12) **United States Design Patent**
Kang et al.

(10) **Patent No.:** **US D732,478 S**
(45) **Date of Patent:** **** Jun. 23, 2015**

(54) **MICRO USB CONNECTOR**

(71) Applicant: **LS Mtron Ltd.**, Anyang (KR)

(72) Inventors: **Myung-Hoon Kang**, Gangdong-gu (KR); **Dong-Hee Kim**, Suwon (KR); **Jung-Hoon Choi**, Guro-gu (KR)

(73) Assignee: **LS MTRON LTD.**, Anyang (KR)

(**) Term: **14 Years**

(21) Appl. No.: **29/467,003**

(22) Filed: **Sep. 13, 2013**

(30) **Foreign Application Priority Data**

Mar. 14, 2013 (KR) 30-2013-0013021

(51) **LOC (10) Cl.** **13-03**

(52) **U.S. Cl.**
USPC **D13/147**

(58) **Field of Classification Search**
USPC D13/147, 154, 184, 199
See application file for complete search history.

(56) **References Cited**

U.S. PATENT DOCUMENTS

D556,690	S	*	12/2007	Ikegami	D13/147
D592,143	S	*	5/2009	Ho et al.	D13/147
D592,148	S	*	5/2009	Ho	D13/147
D647,861	S	*	11/2011	Wang	D13/147
D680,500	S	*	4/2013	Xie et al.	D13/147

* cited by examiner

Primary Examiner — Daniel Bui

(74) *Attorney, Agent, or Firm* — LRK Patent Law Firm

(57) **CLAIM**

The ornamental design for a micro USB connector, as shown and described.

DESCRIPTION

FIG. 1 is a front, top and right side perspective view of a micro USB connector showing our new design; FIG. 2 is a front elevation view thereof; FIG. 3 is a rear elevation view thereof; FIG. 4 is a left side elevation view thereof; FIG. 5 is a right side elevation view thereof; FIG. 6 is a top plan view thereof; FIG. 7 is a bottom plan view thereof; and, FIG. 8 is a rear, bottom and right side perspective view thereof.

1 Claim, 3 Drawing Sheets

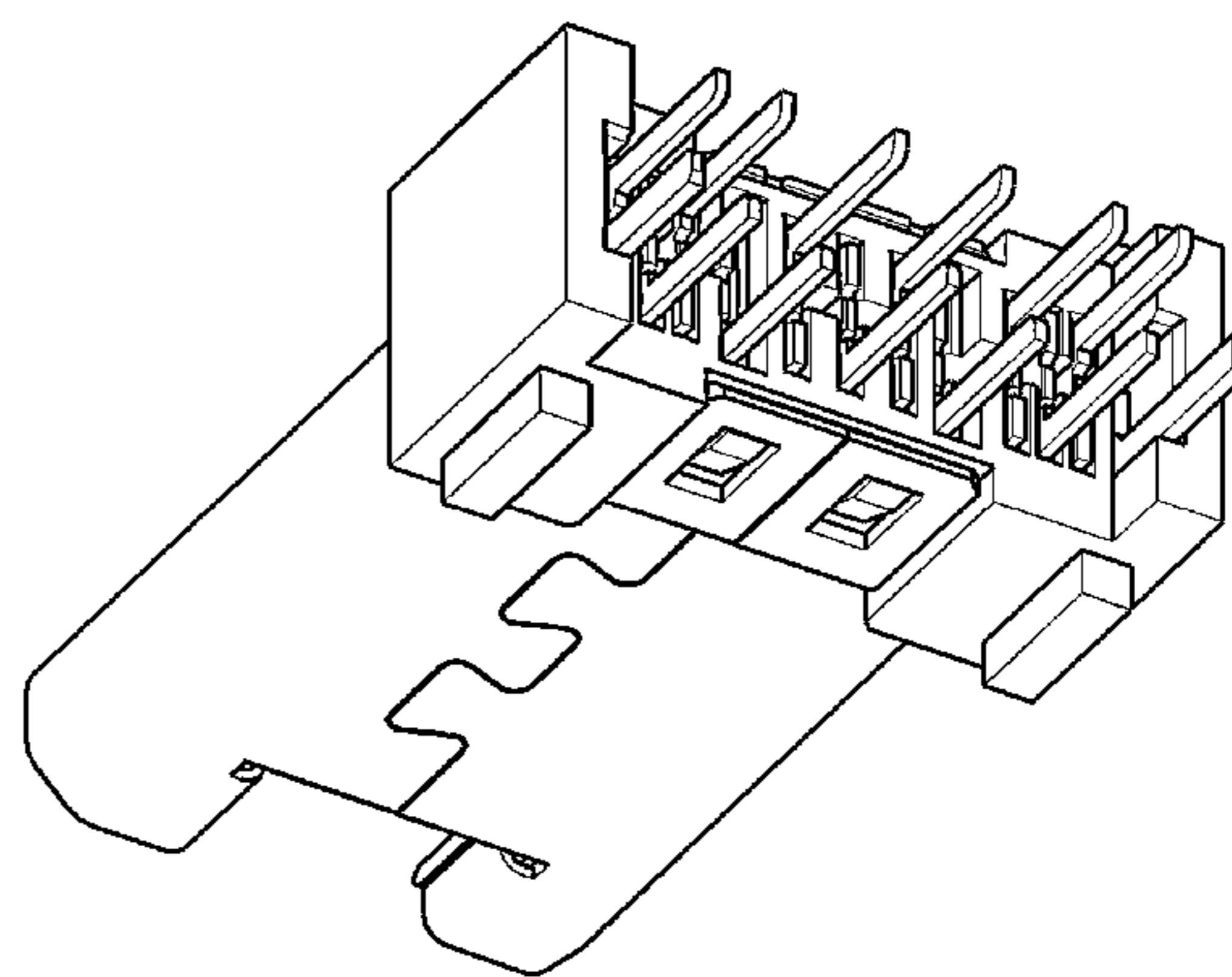
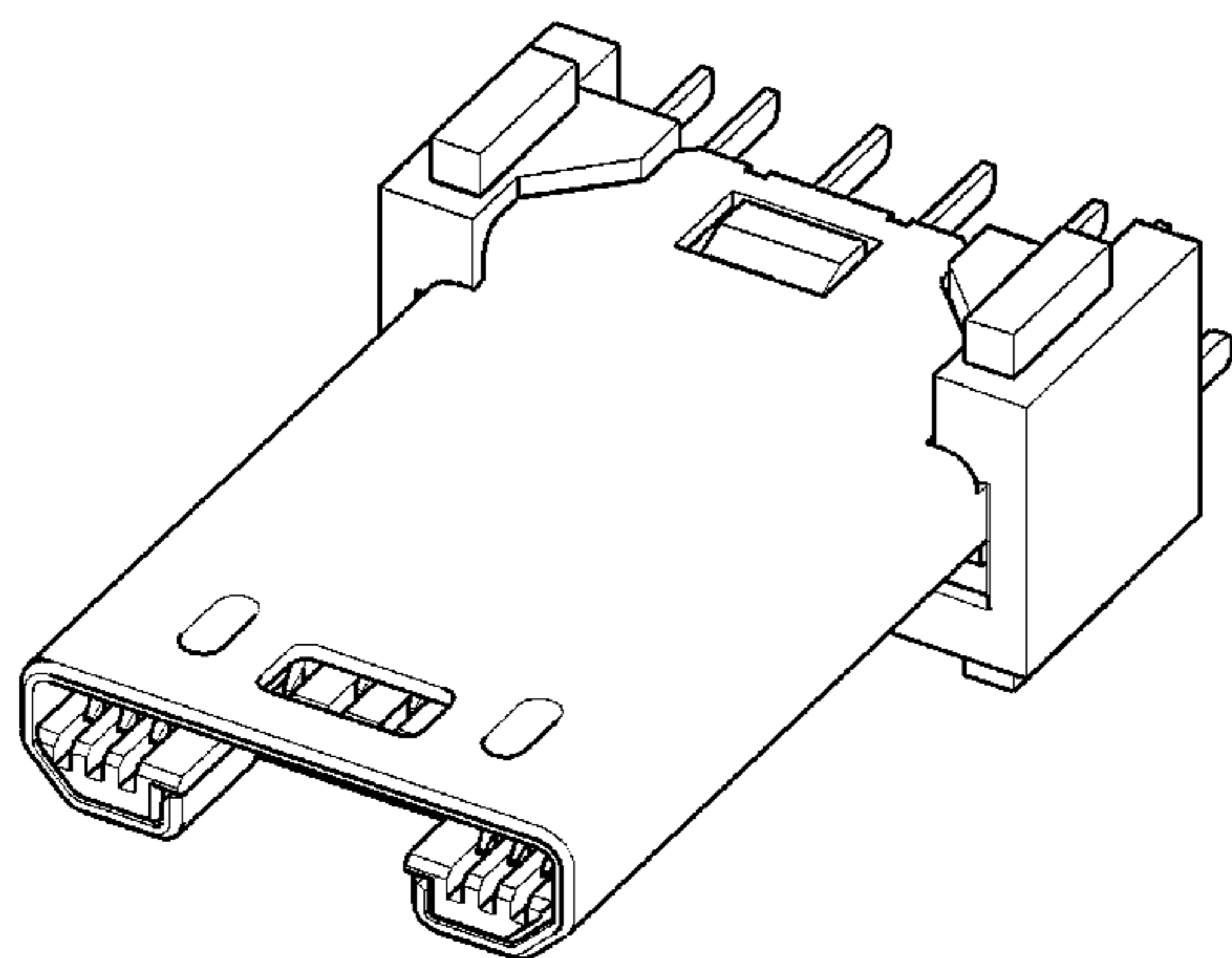


FIG. 1

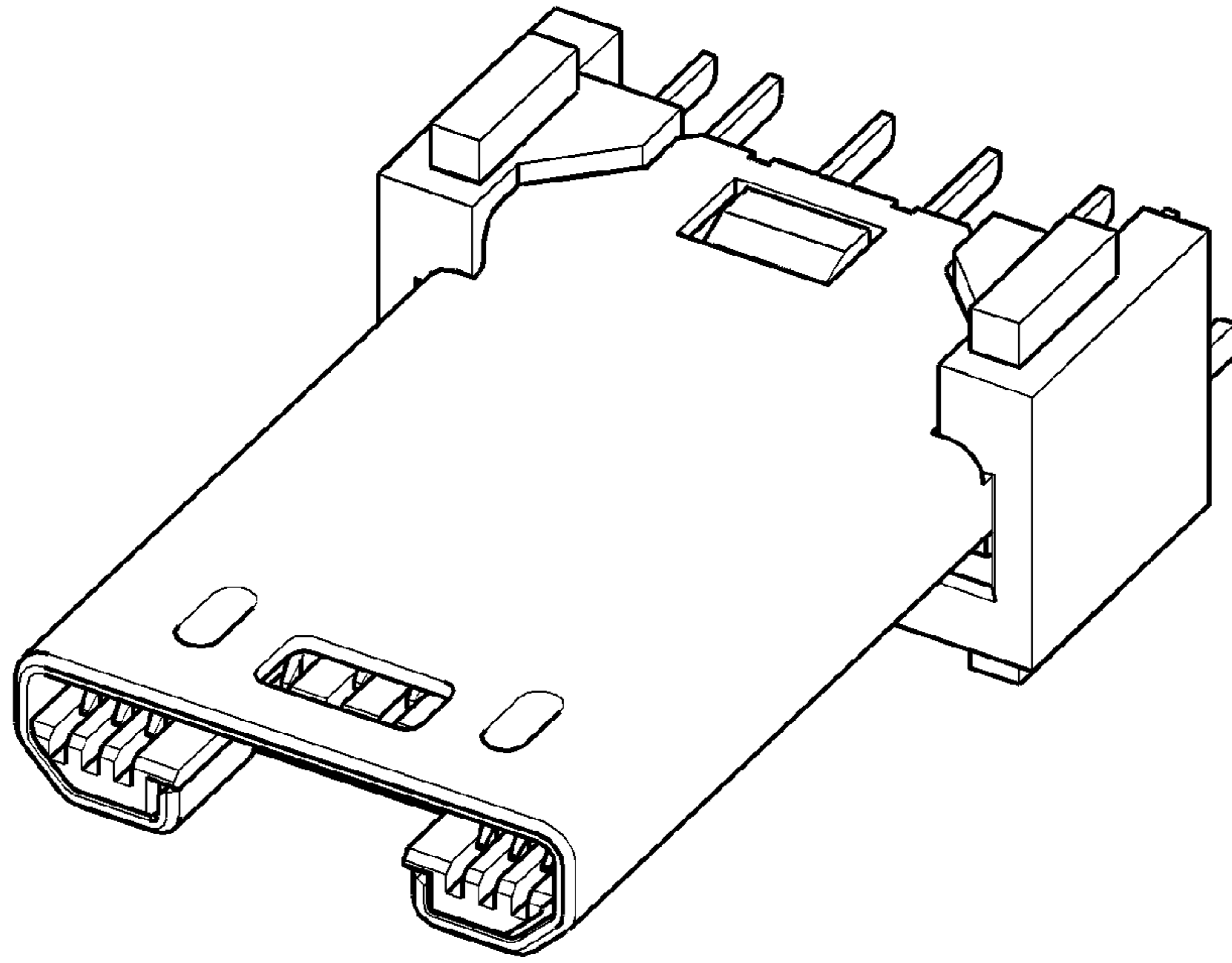


FIG. 2

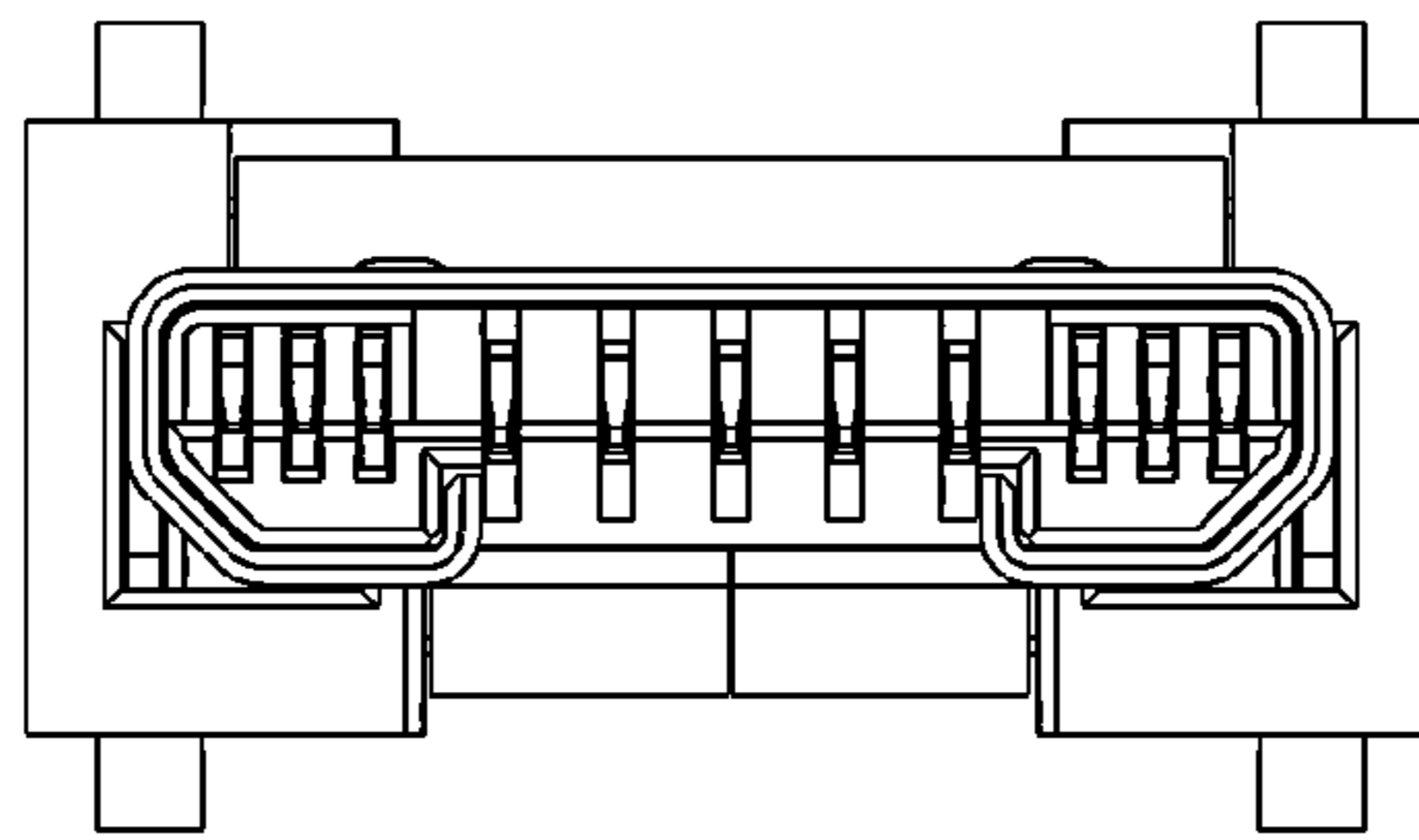


FIG. 3

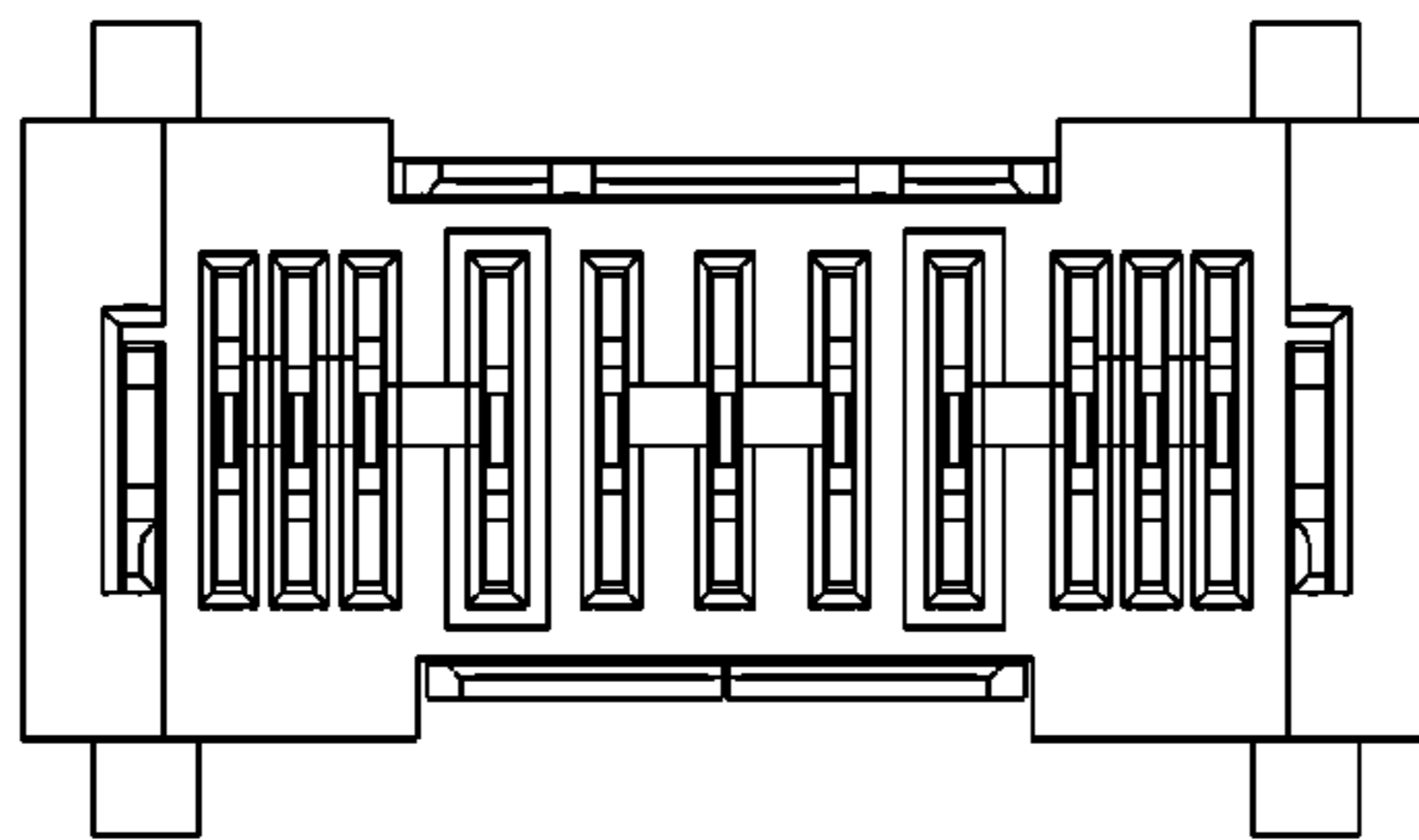


FIG. 4

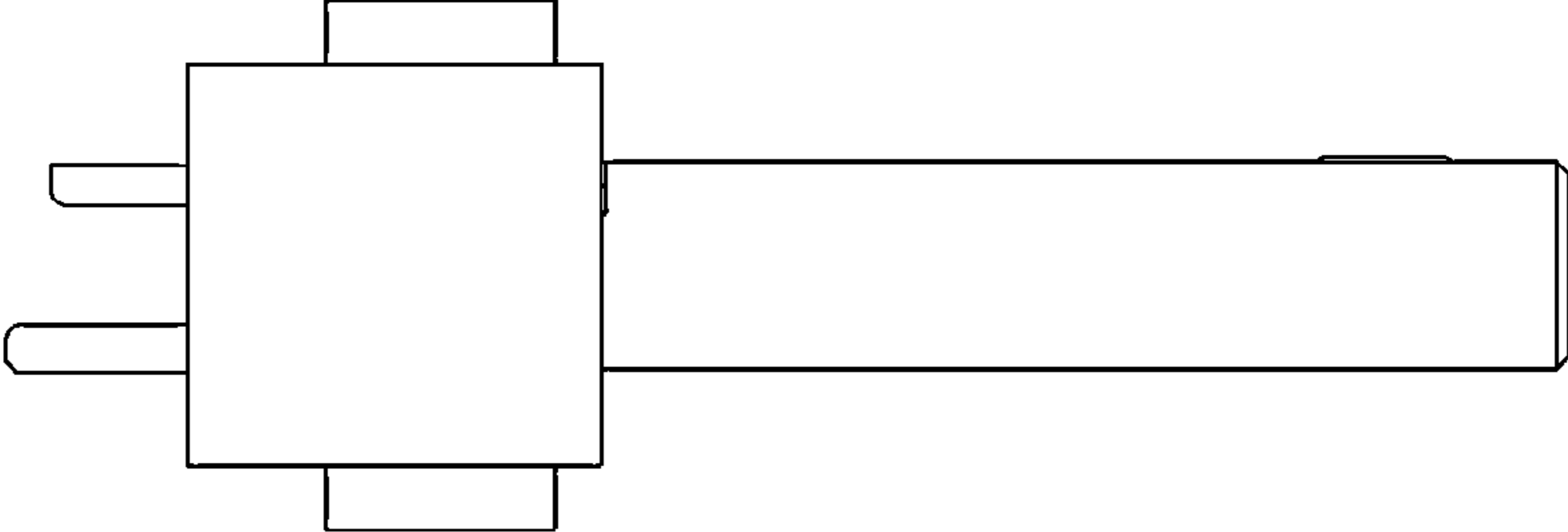


FIG. 5

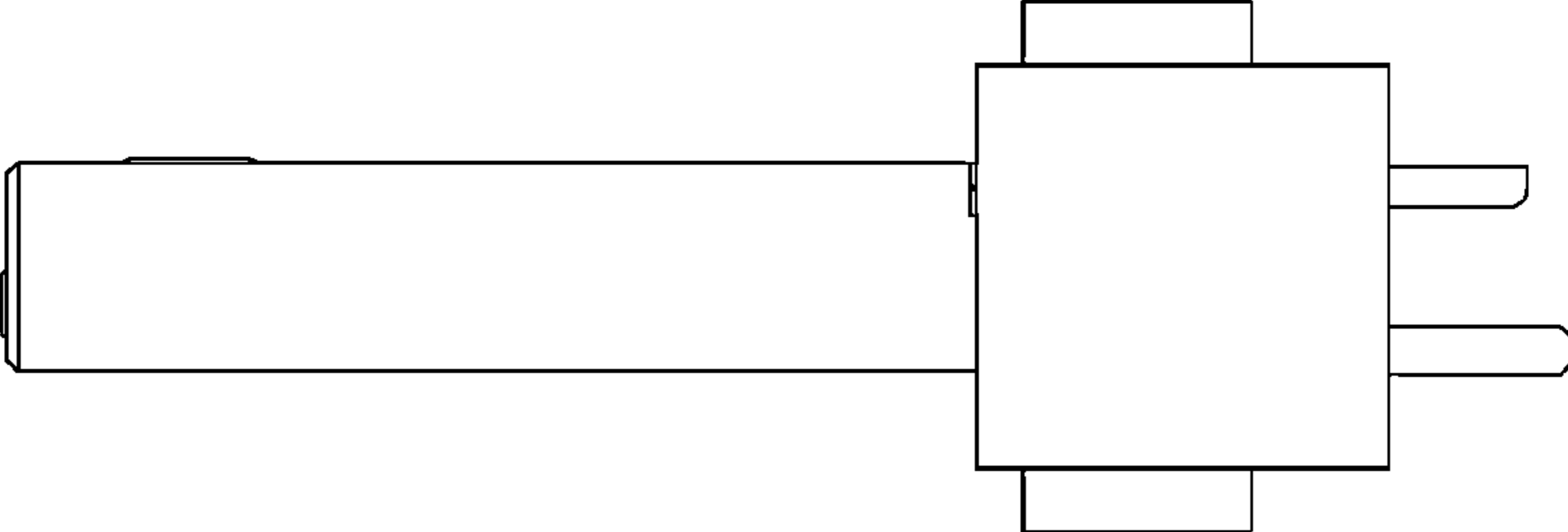


FIG. 6

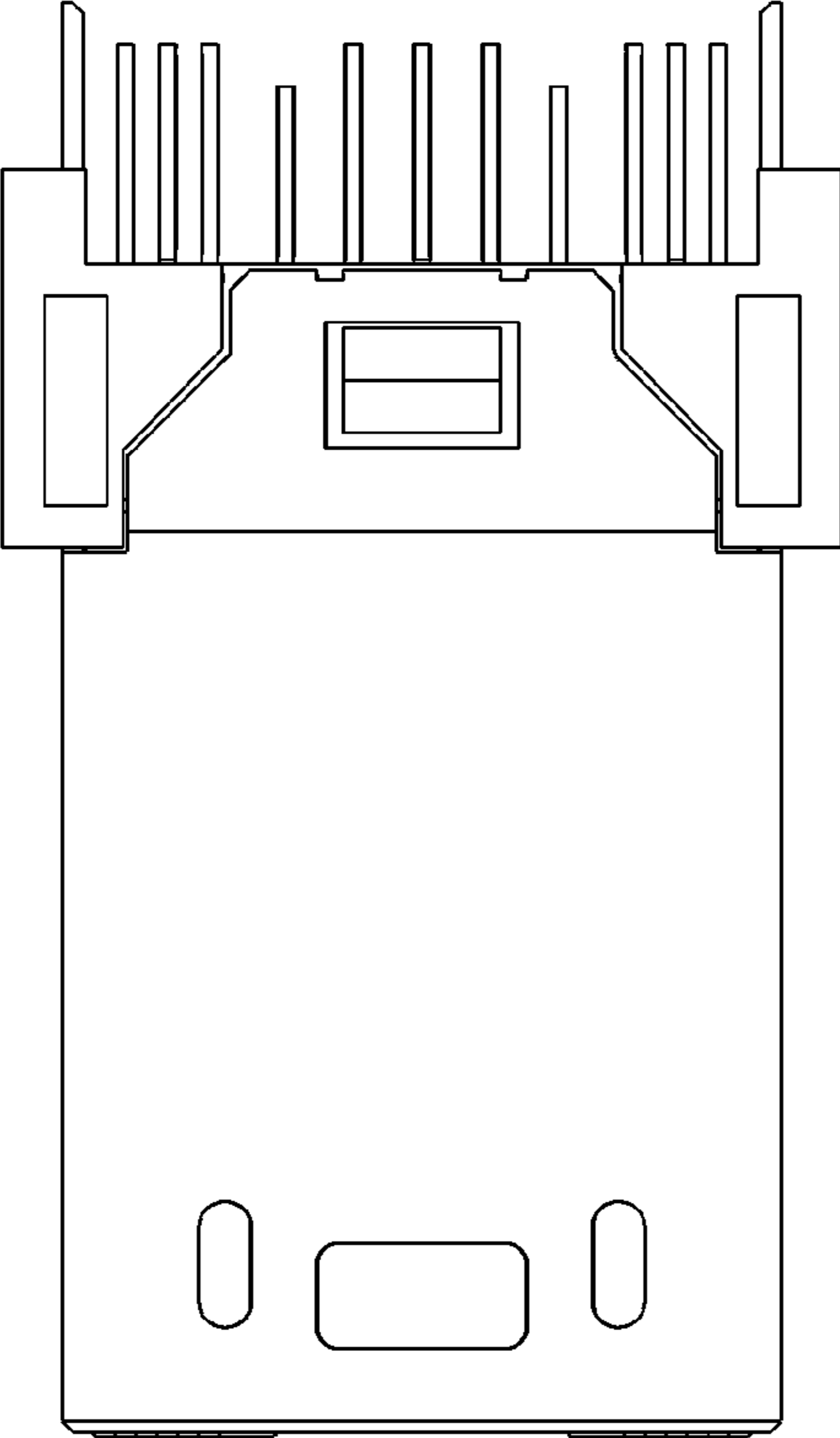


FIG. 7

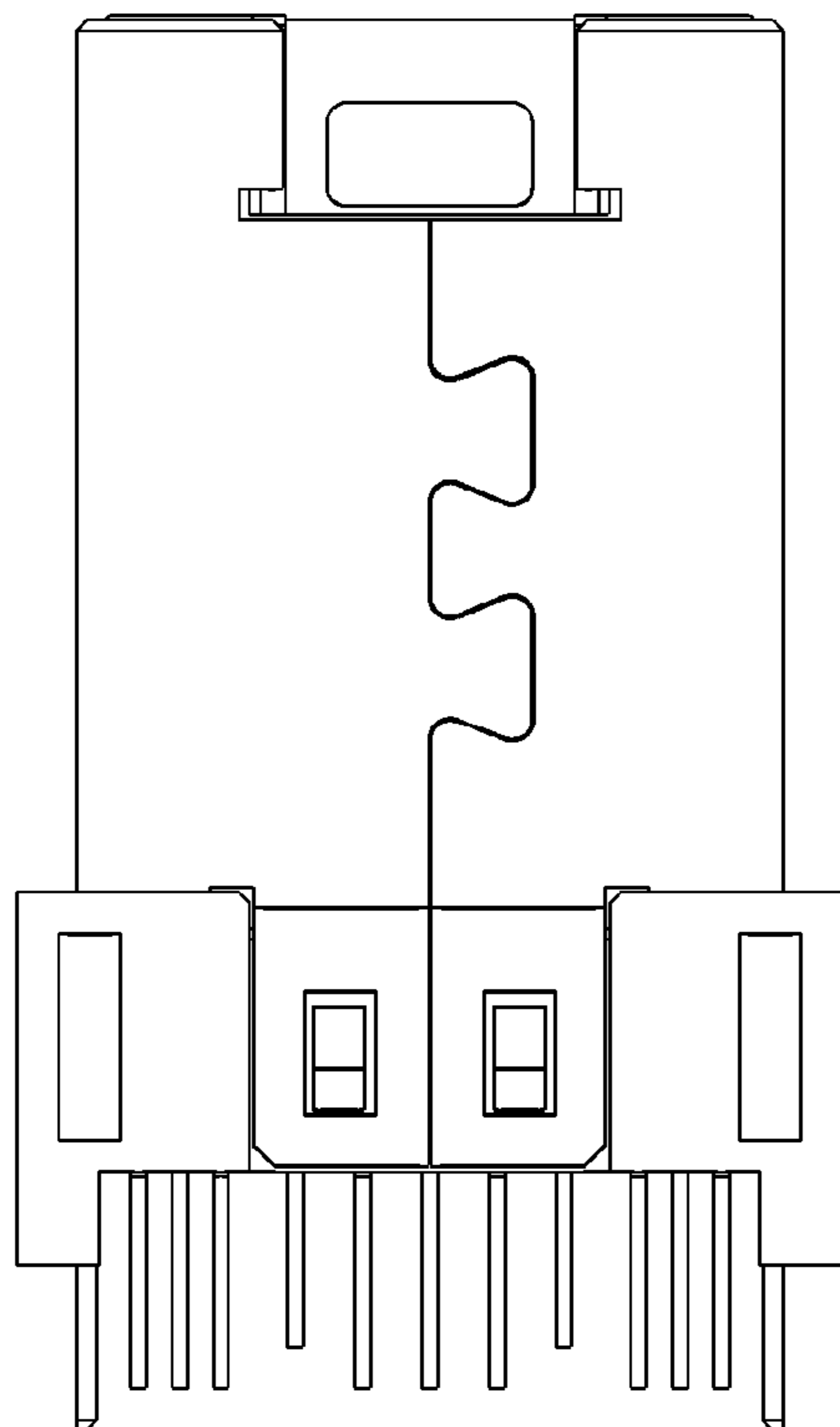


FIG. 8

