



US00D732476S

(12) **United States Design Patent**
Ammann

(10) **Patent No.:** **US D732,476 S**
(45) **Date of Patent:** **** Jun. 23, 2015**

(54) **ELECTRIC DEVICE PLUG**

(71) Applicant: **Schurter AG**, Lucerne (CH)
(72) Inventor: **Sarah Ammann**, Emmenbrücke (CH)
(73) Assignee: **SCHURTER AG**, Luzern (CH)
(**) Term: **14 Years**

(21) Appl. No.: **29/479,625**

(22) Filed: **Jan. 17, 2014**

(30) **Foreign Application Priority Data**

Jul. 18, 2013 (CH) 140051

(51) **LOC (10) Cl.** **13-03**

(52) **U.S. Cl.**
USPC **D13/146**

(58) **Field of Classification Search**
USPC D13/146, 147, 154, 184, 199; 439/92,
439/101, 106, 108, 151, 152, 246, 247, 266,
439/278, 374, 476.1, 527, 606, 655, 660,
439/682, 685, 892

See application file for complete search history.

(56) **References Cited**

U.S. PATENT DOCUMENTS

D312,240 S * 11/1990 Esslinger D13/145
D355,163 S * 2/1995 Dolson et al. D13/146
D373,994 S * 9/1996 Kammersgard et al. D13/146
D399,822 S * 10/1998 Starec et al. D13/139.1
D543,148 S * 5/2007 Suckle et al. D13/146
D545,764 S * 7/2007 Allison D13/137.1

* cited by examiner

Primary Examiner — Daniel Bui

(74) *Attorney, Agent, or Firm* — Pearne & Gordon LLP

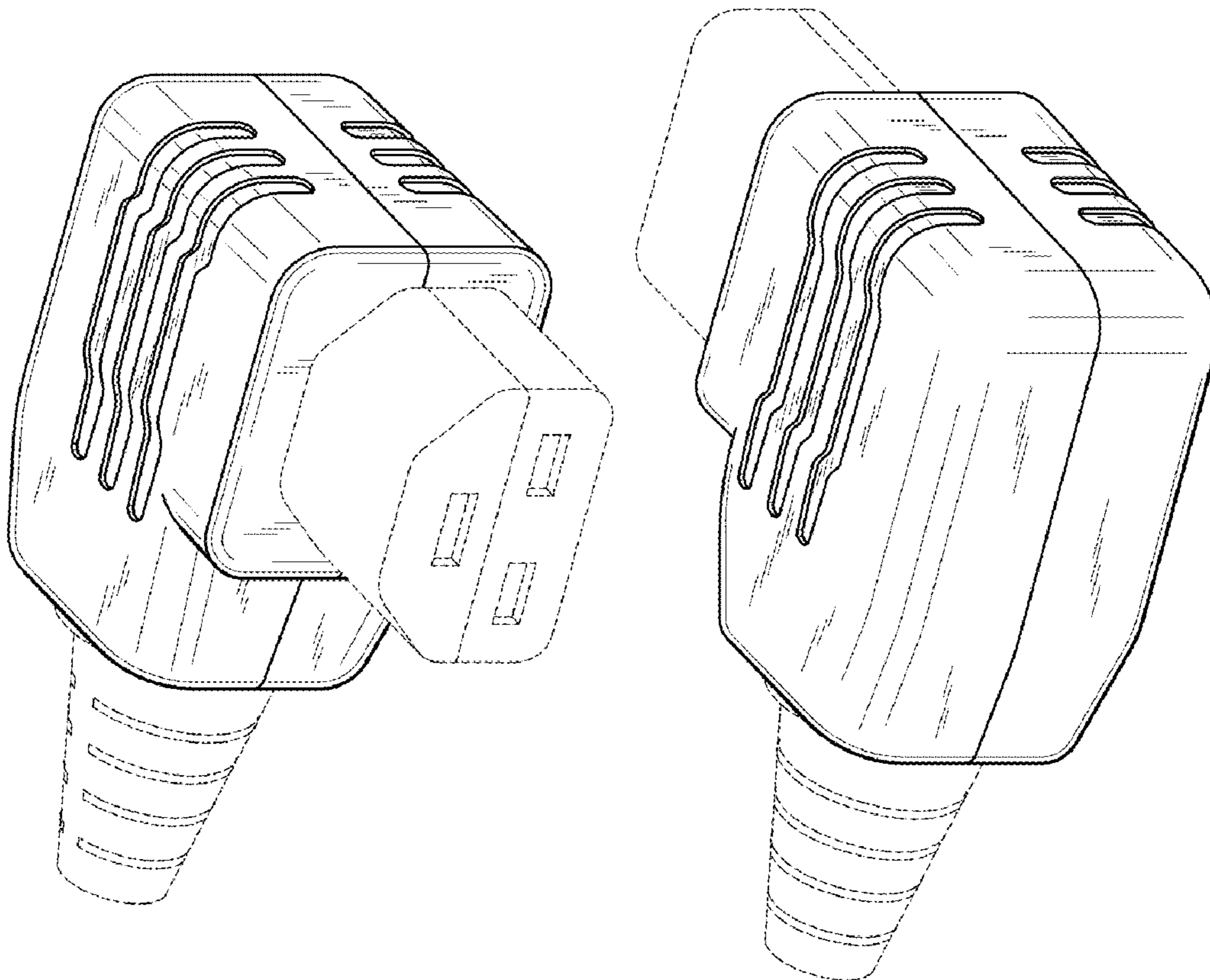
(57) **CLAIM**

The ornamental design for an electric device plug, as shown and described.

DESCRIPTION

FIG. 1 is a right side elevation view of an electric device plug showing my new design;
FIG. 2 is a top plan view thereof;
FIG. 3 is a front elevation view thereof;
FIG. 4 is a front, top and left side perspective view thereof; and,
FIG. 5 is a rear, top and right side perspective view thereof.
The broken lines shown in the drawing represent unclaimed environment and form no part of the claimed design.

1 Claim, 2 Drawing Sheets



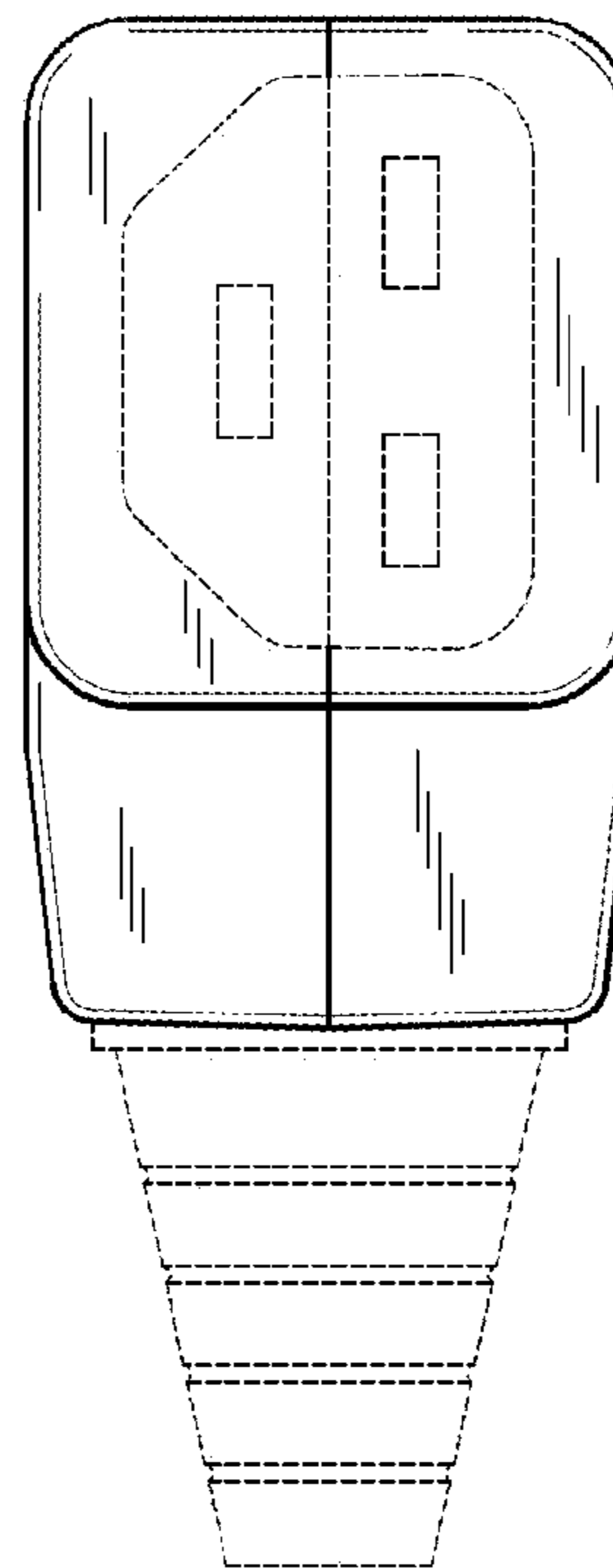
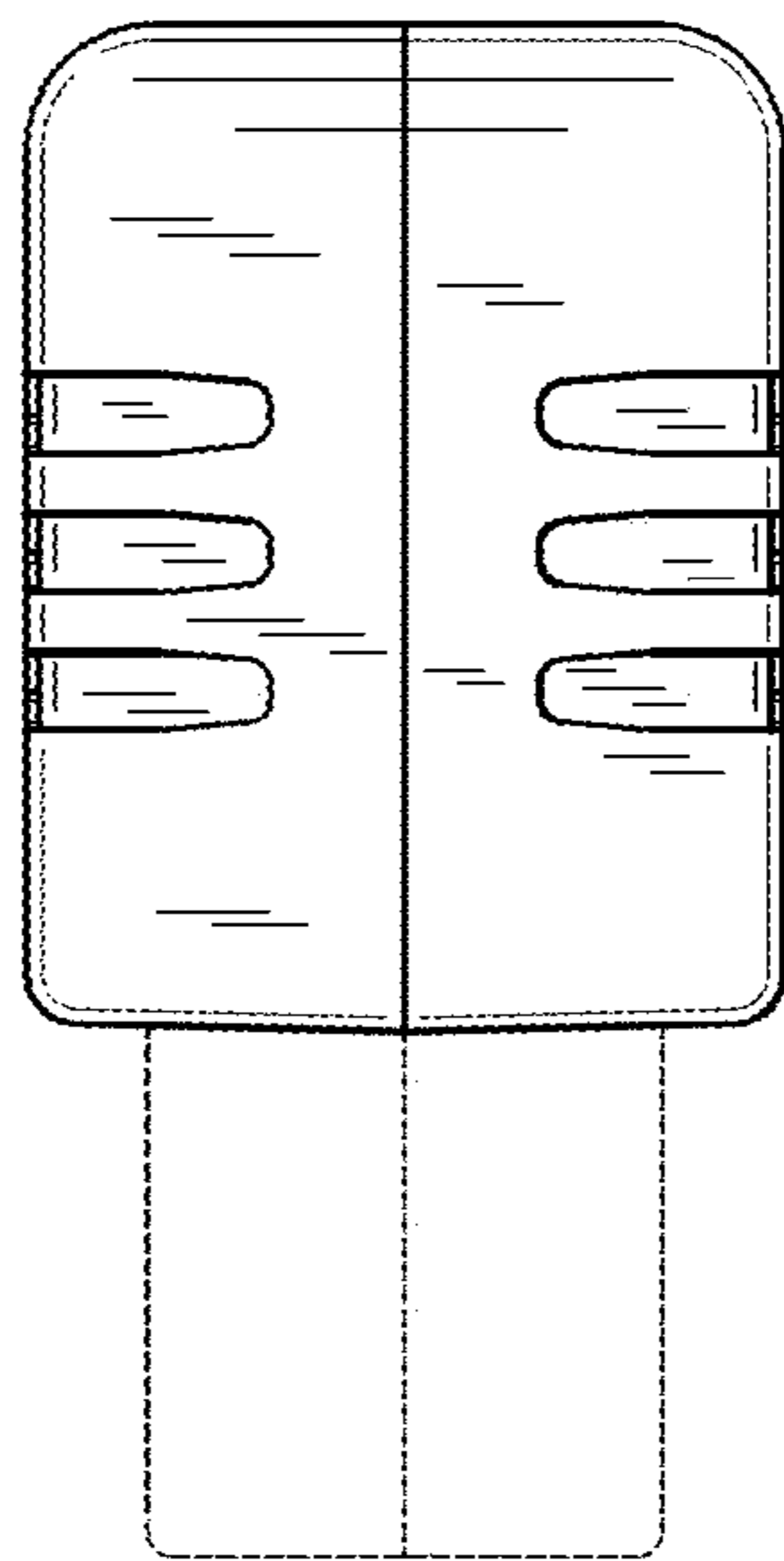
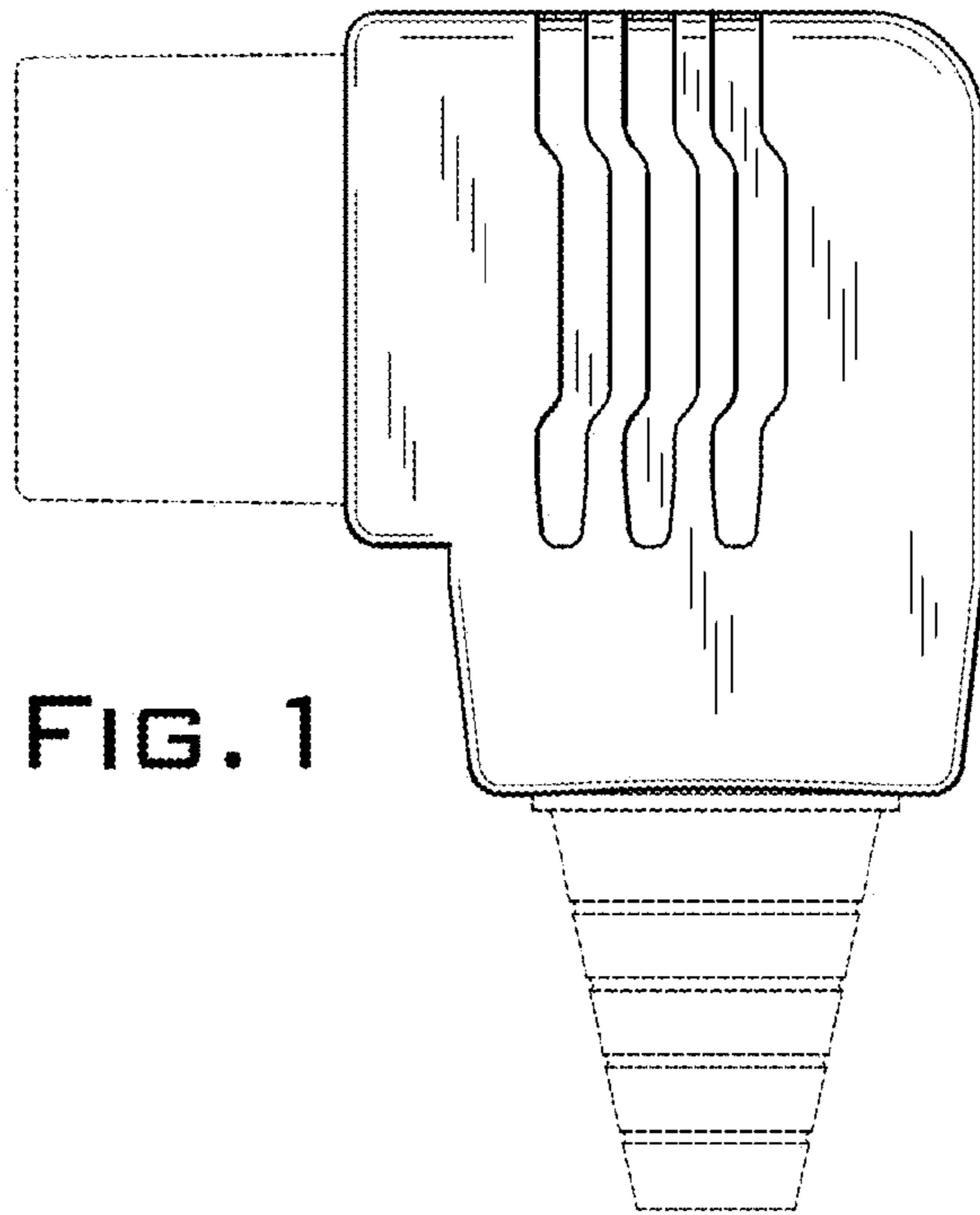


FIG. 3

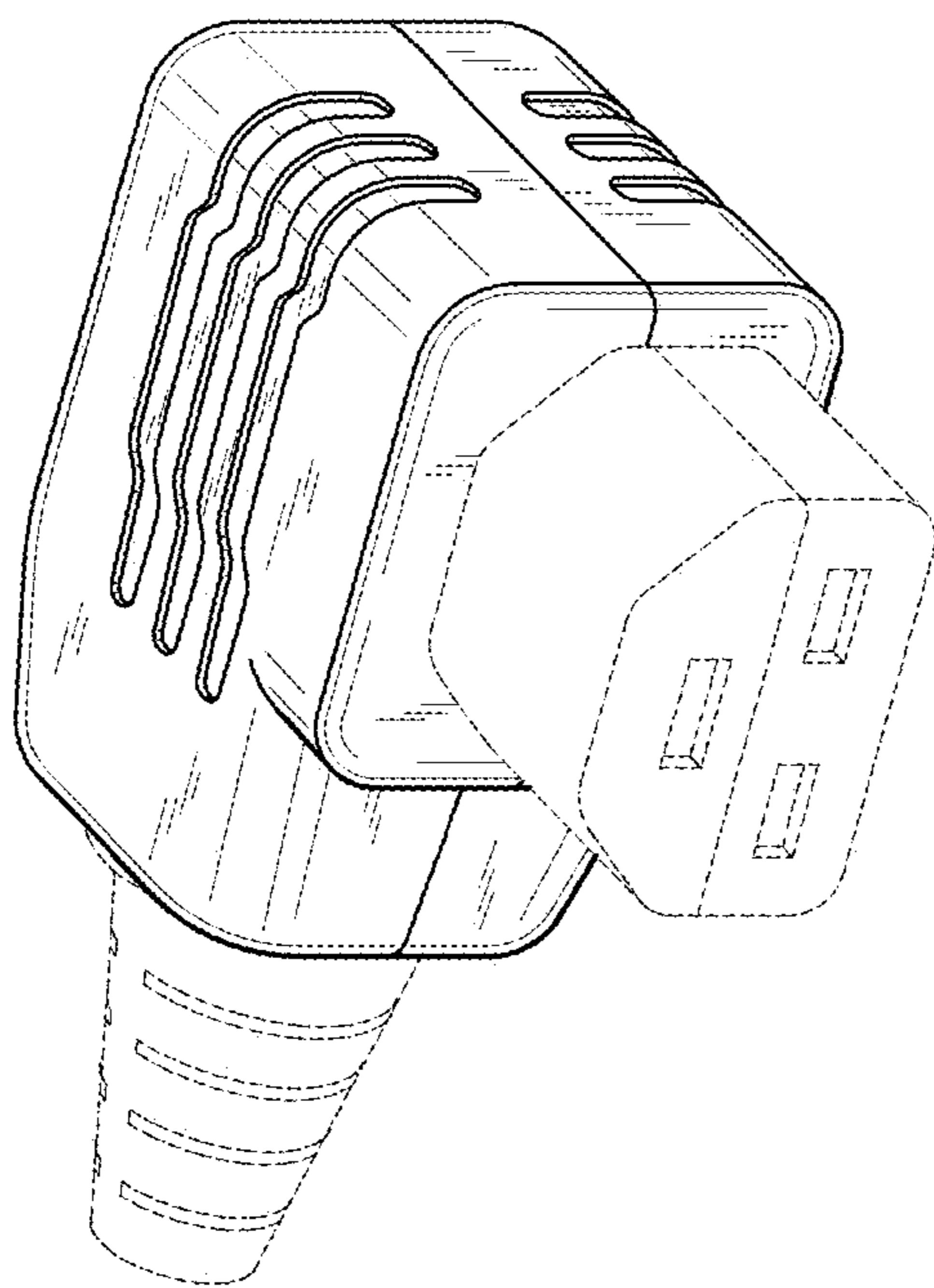


FIG. 4

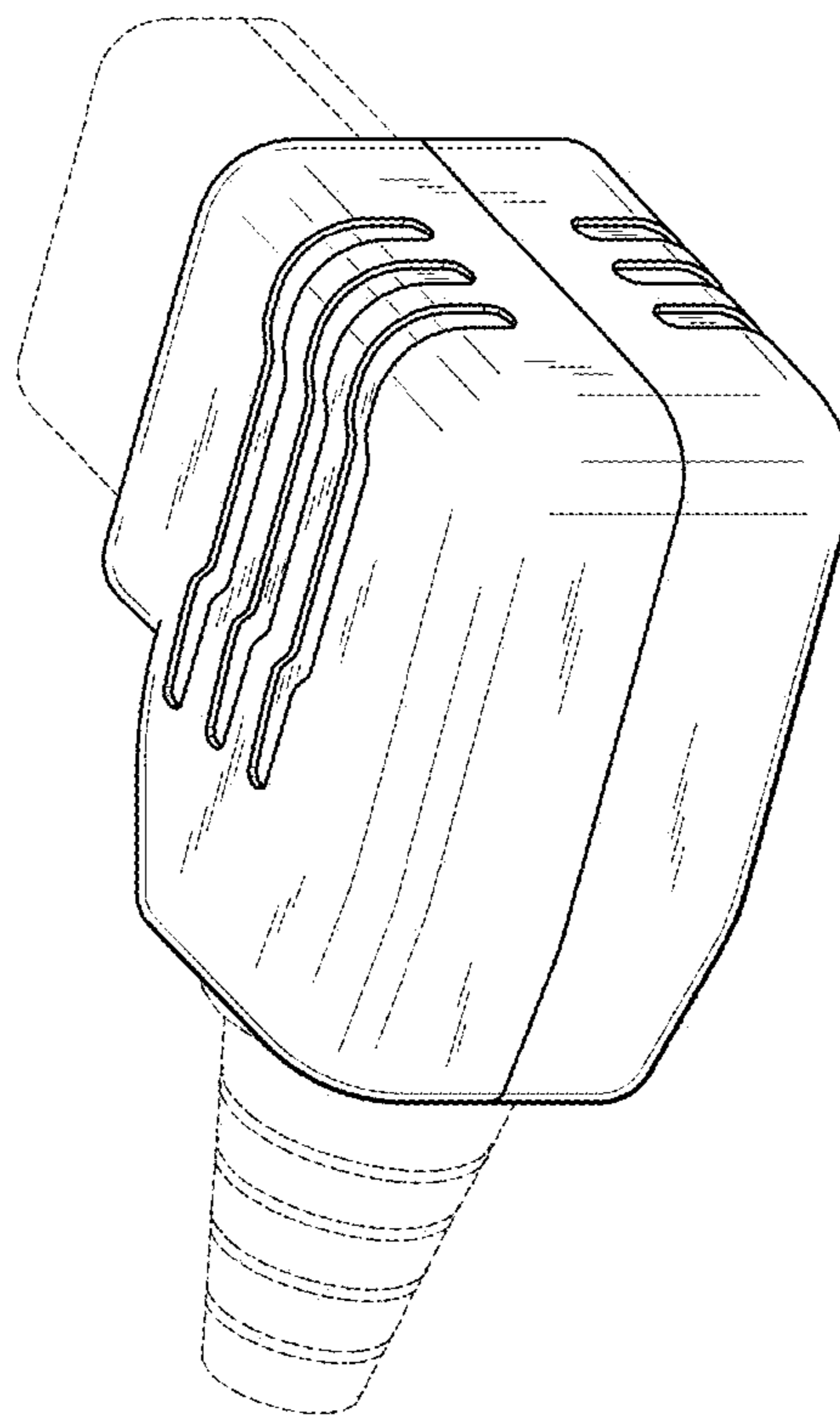


FIG. 5