

US00D732475S

(12) **United States Design Patent**
Bdeir

(10) **Patent No.:** **US D732,475 S**
(45) **Date of Patent:** **** Jun. 23, 2015**

(54) **CONNECTOR FOR MODULAR ELECTRONIC BUILDING SYSTEM**

(71) Applicant: **Aya Bdeir**, New York, NY (US)

(72) Inventor: **Aya Bdeir**, New York, NY (US)

(73) Assignee: **littleBits Electronics Inc.**, New York, NV (US)

(**) Term: **14 Years**

(21) Appl. No.: **29/437,623**

(22) Filed: **Nov. 19, 2012**

(51) **LOC (10) Cl.** **13-03**

(52) **U.S. Cl.**
USPC **D13/146**

(58) **Field of Classification Search**
USPC D13/146, 147, 154, 184, 199; D21/398
CPC H01R 9/03; H01R 9/09; H01R 9/091;
H01R 9/096; H01R 9/097; H01R 9/098;
H05K 5/00; H05K 7/00; H05K 11/30; A63H
3/04; A63H 3/006; A63H 3/16
See application file for complete search history.

(56) **References Cited**

U.S. PATENT DOCUMENTS

4,878,848	A *	11/1989	Ingalsbe	439/76.1
4,978,317	A	12/1990	Pocrass		
D473,849	S	4/2003	Yeh		
D658,586	S *	5/2012	Lin	D13/146
8,491,312	B2	7/2013	Rudisill et al.		
8,753,164	B2 *	6/2014	Hansen et al.	446/91
2007/0072442	A1	3/2007	DiFonzo et al.		
2007/0173095	A1 *	7/2007	Bin-Nun et al.	439/219
2008/0166926	A1 *	7/2008	Seymour et al.	439/701
2010/0151738	A1 *	6/2010	Chou	439/638
2010/0311300	A1 *	12/2010	Hansen et al.	446/91
2011/0059652	A1	3/2011	Hoyack et al.		

(Continued)

FOREIGN PATENT DOCUMENTS

CN	3087332/14	10/1998
CN	3168690/16	12/2000

(Continued)

OTHER PUBLICATIONS

Building blocks that blink, beep and teach, Posted Feb. 2012, by Editors TED Talks, [online], [site visited Jan. 22, 2015]. Available from Internet, <URL: http://www.ted.com/talks/ayah_bdeir_building_blocks_that_blink_beep_and_teach>.*

(Continued)

Primary Examiner — Eric Goodman

Assistant Examiner — Sanjeev Paul

(74) *Attorney, Agent, or Firm* — Cooley LLP

(57) **CLAIM**

The ornamental design for a connector for a modular electronic building system, as shown and described.

DESCRIPTION

FIG. 1 is a bottom perspective view of a connector for a modular electronic building system, according to an embodiment;

FIG. 2 is a front view of the connector for a modular electronic building system illustrated in FIG. 1;

FIG. 3 is a rear view of the connector for a modular electronic building system illustrated in FIG. 1;

FIG. 4 is a left side view of the connector for a modular electronic building system illustrated in FIG. 1;

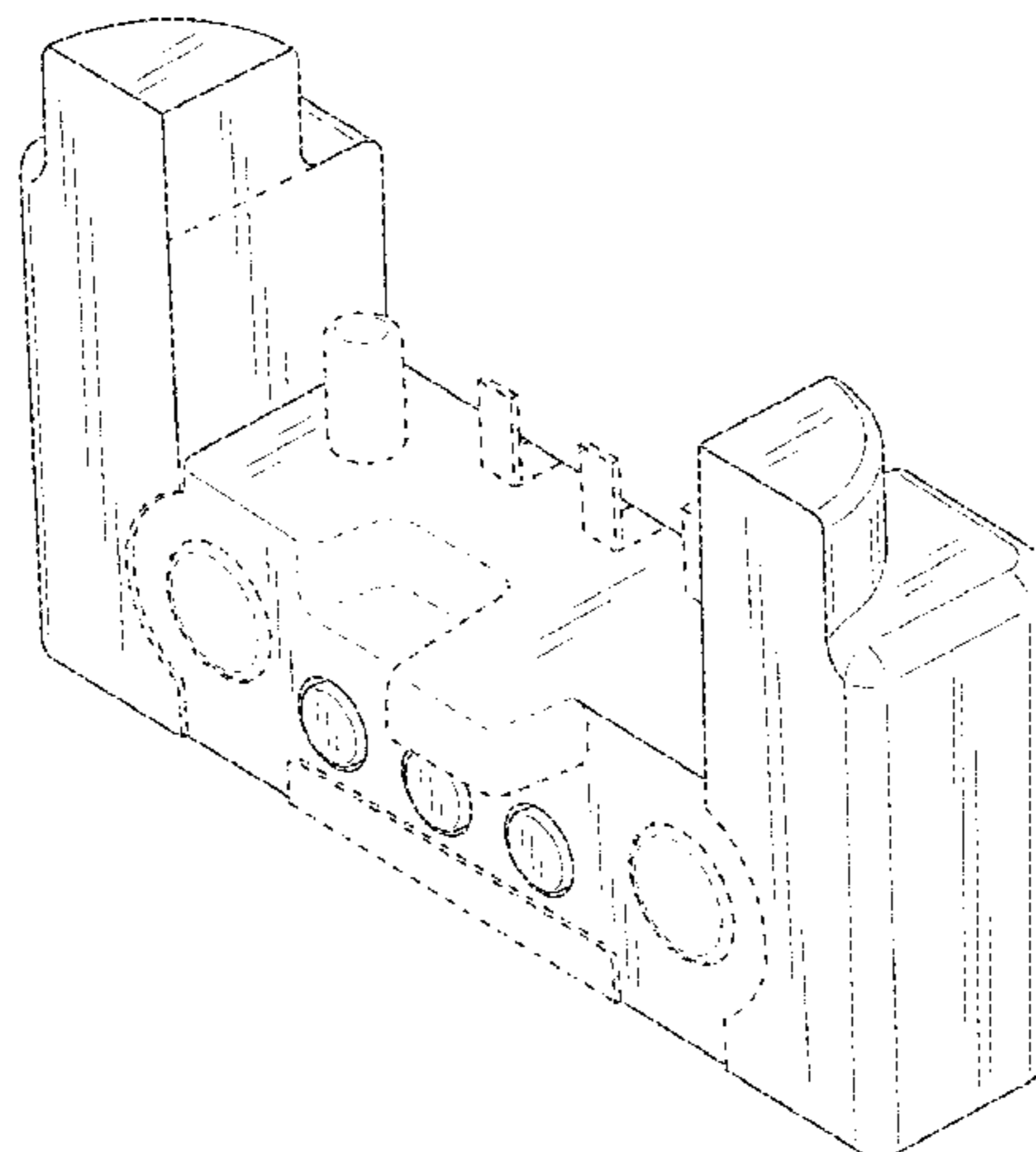
FIG. 5 is a right side view of the connector for a modular electronic building system illustrated in FIG. 1;

FIG. 6 is a bottom view of the connector for a modular electronic building system illustrated in FIG. 1; and,

FIG. 7 is a top view of the connector for a modular electronic building system illustrated in FIG. 1.

The broken lines in the figures show non-claimed portions of the connector for modular electronic building system; the broken lines form no part of the claimed design.

1 Claim, 4 Drawing Sheets



(56)

References Cited

U.S. PATENT DOCUMENTS

2011/0263145 A1* 10/2011 Kim 439/137
2013/0050958 A1* 2/2013 Bdeir 361/730
2013/0343025 A1* 12/2013 Bdeir 361/803
2014/0038466 A1* 2/2014 Karodi et al. 439/626

FOREIGN PATENT DOCUMENTS

CN 3237906/18 5/2002
CN 301097689 12/2009
CN 301216015 S 5/2010
CN 301545488 S 5/2011

CN 301742222 S 11/2011
JP D2010-24187 5/2011
KR 30-2003-0036843 12/2014
WO WO 2014/032043 2/2014

OTHER PUBLICATIONS

Bdeir, A. et al., "Electronics As Material: littleBits," Proceedings of the 5th International Conference on Tangible and Embedded Interaction (TEI '11), Jan. 22-26, 2011, 4 pages.

Evaluation Report for Chinese Patent Application No. 201330114691.4, mailed on Apr. 9, 2014, 10 pages.

* cited by examiner

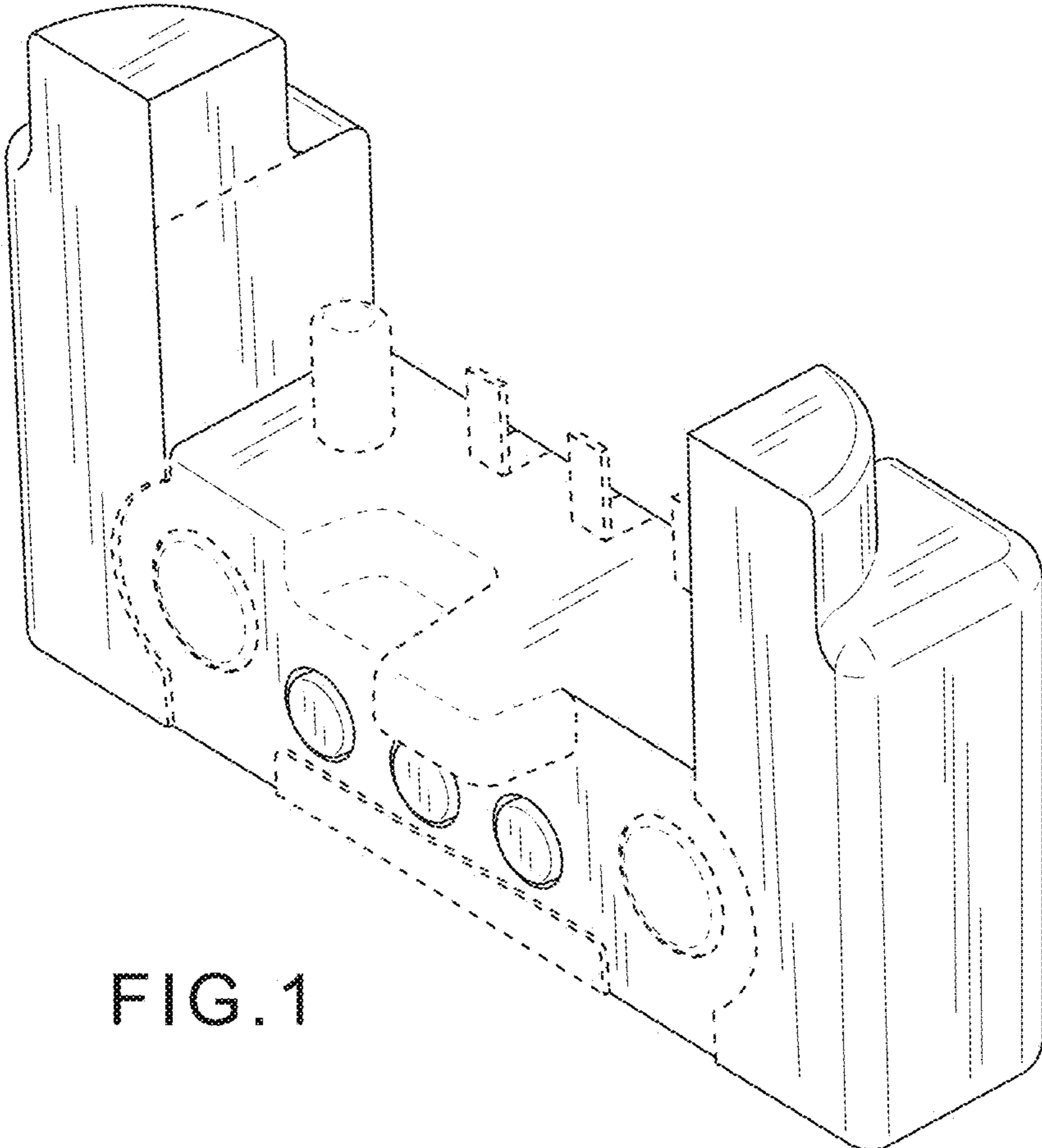


FIG. 1

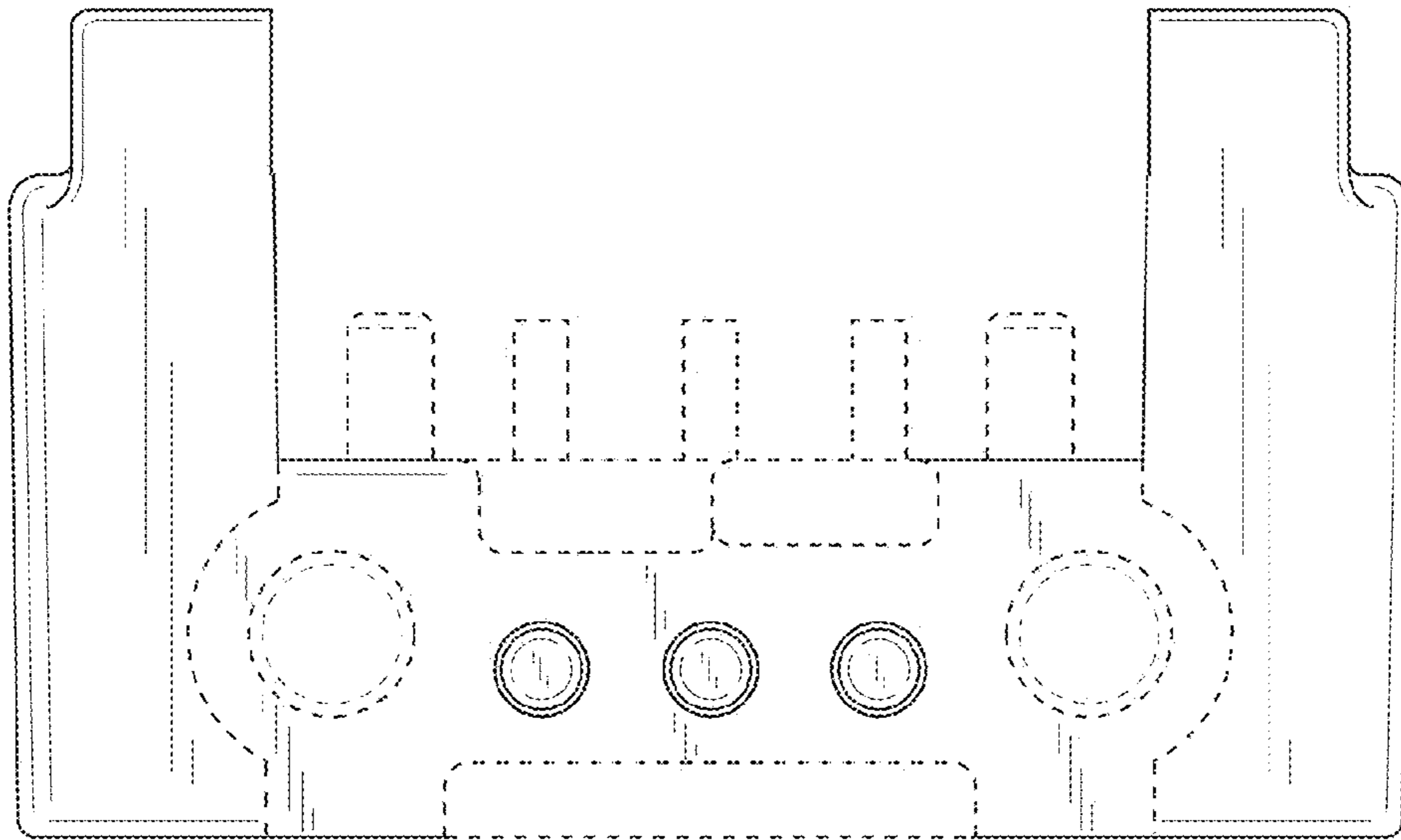


FIG. 2

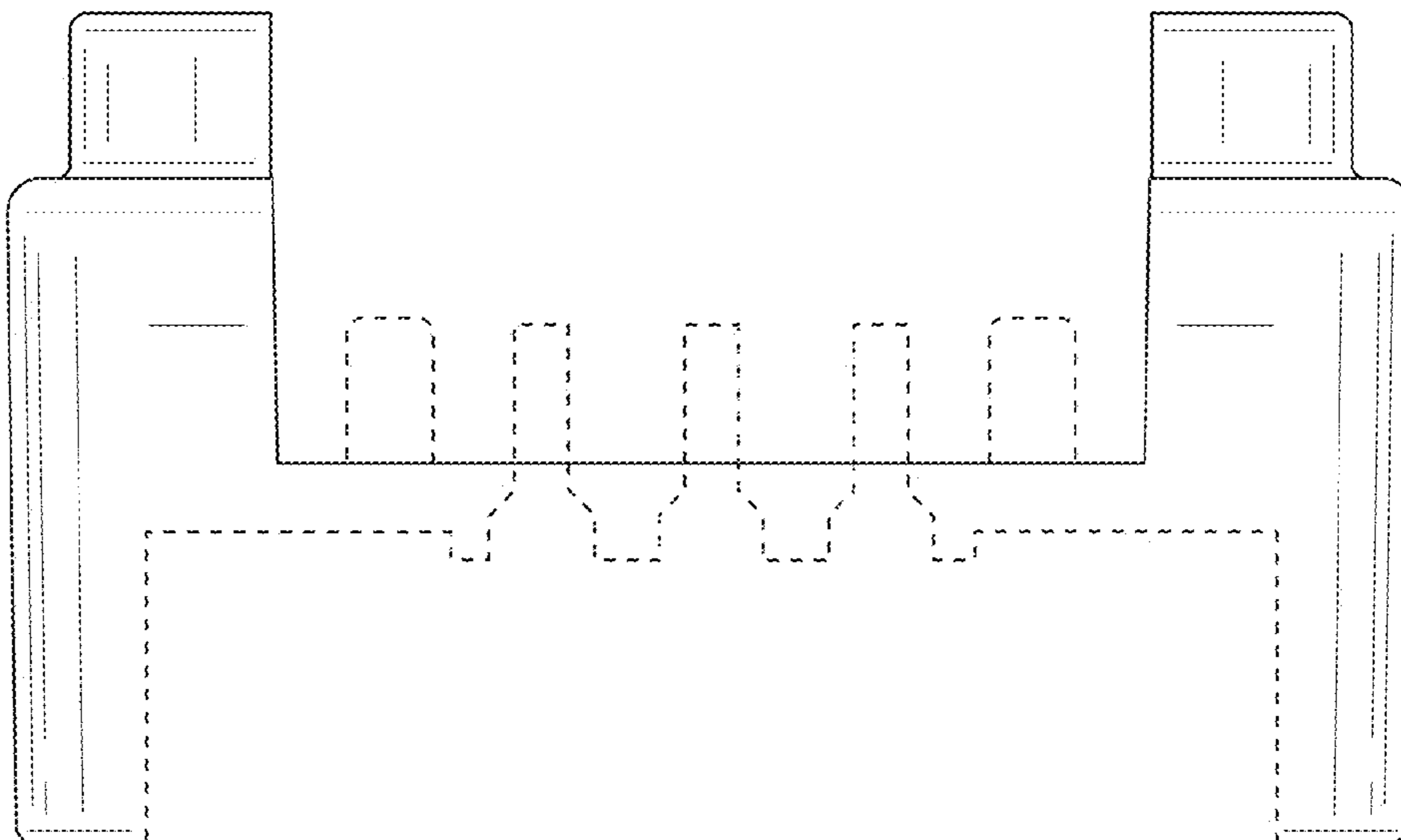


FIG. 3

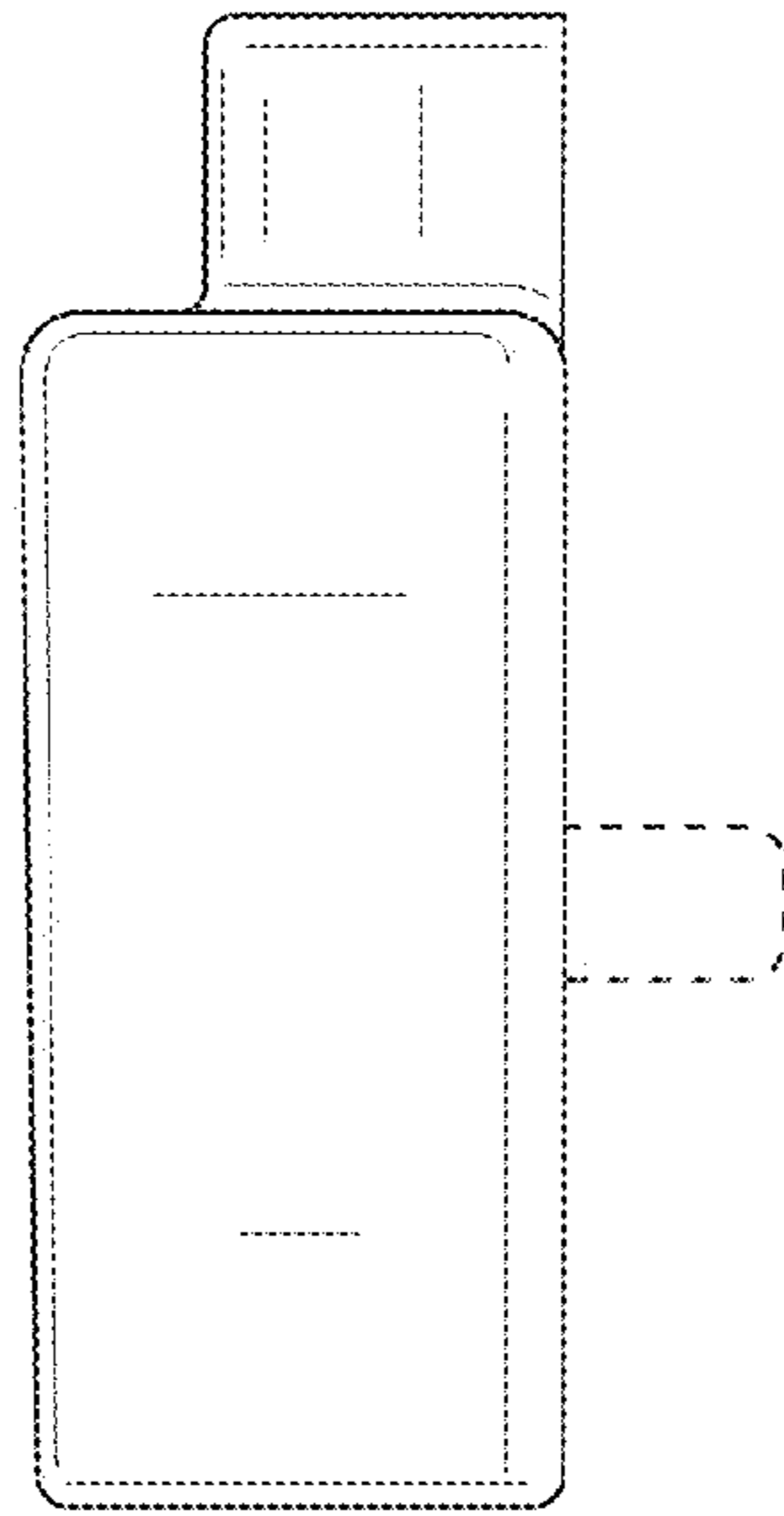


FIG. 4

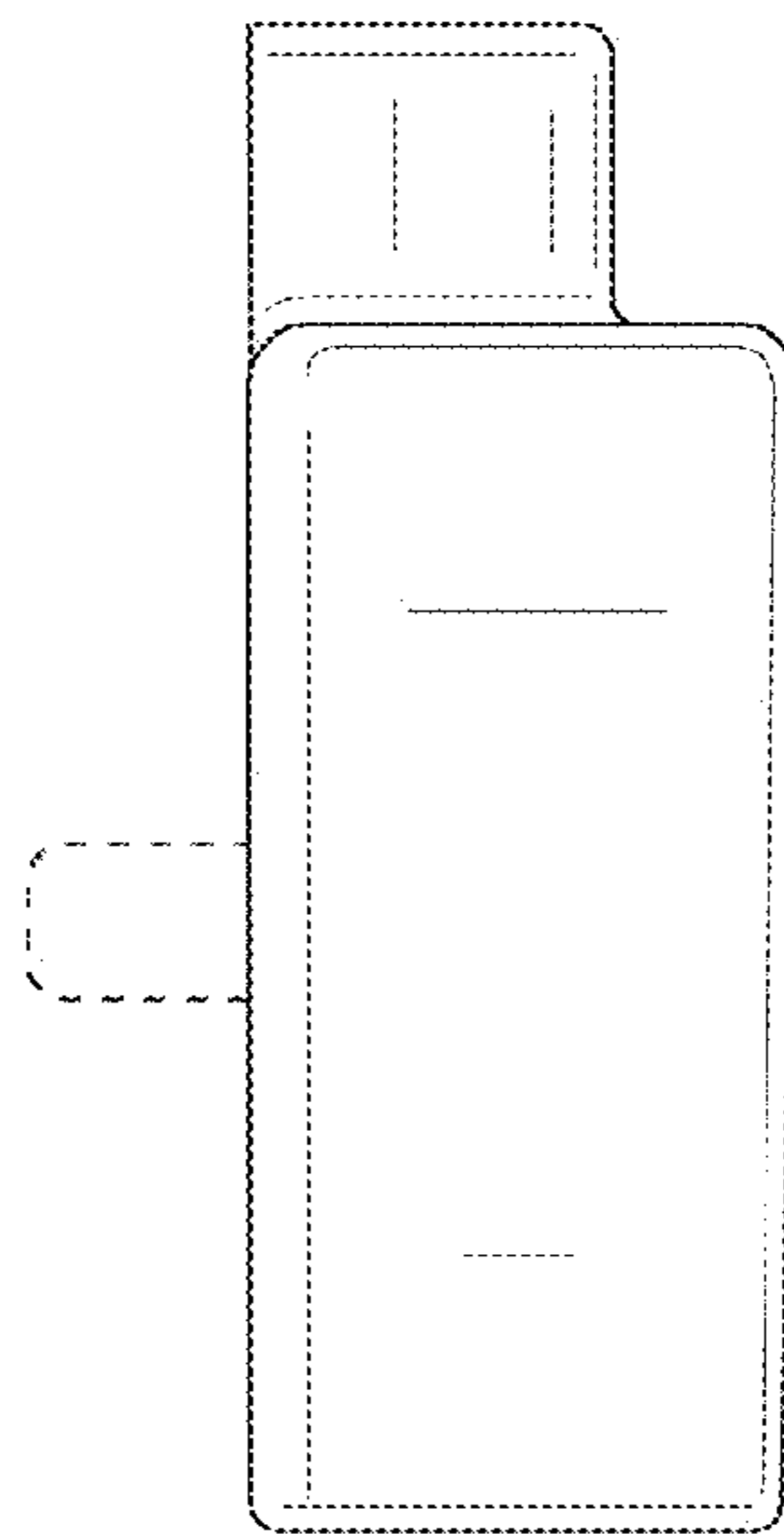


FIG. 5

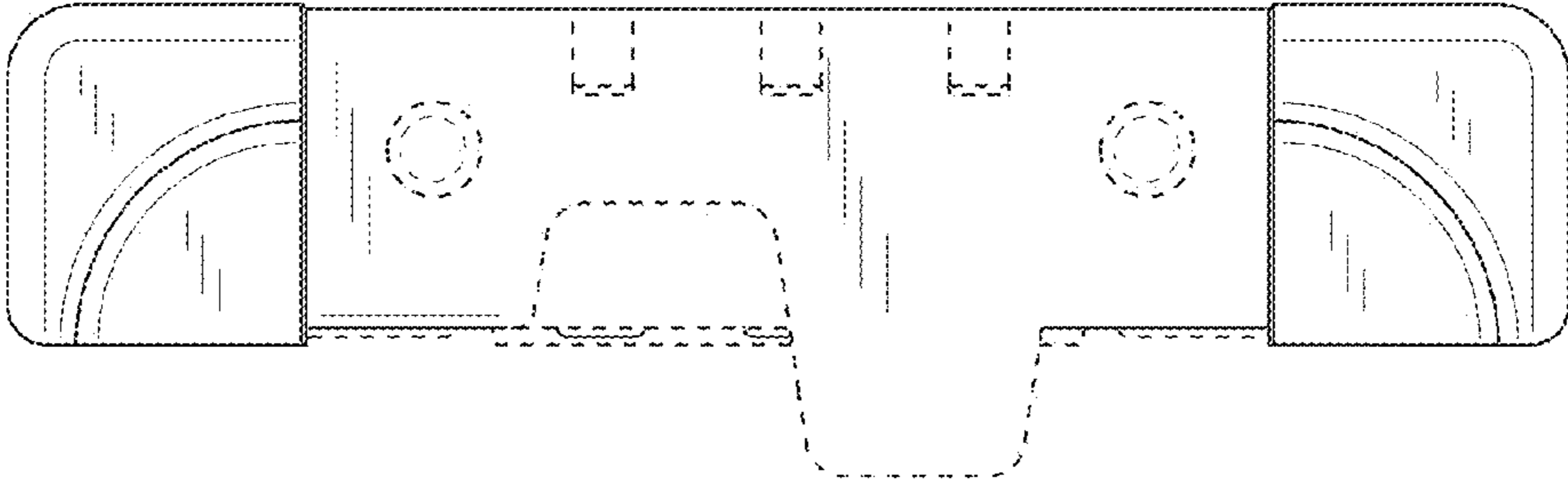


FIG. 6

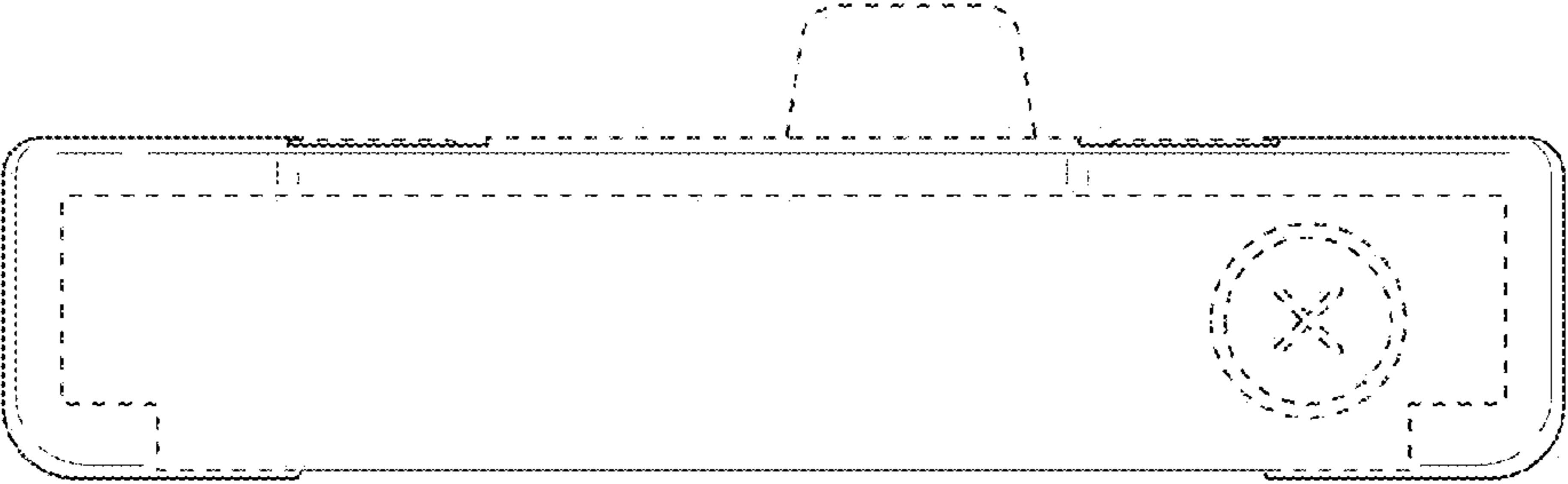


FIG. 7