



US00D732474S

(12) **United States Design Patent**  
**Wallach**

(10) **Patent No.:** **US D732,474 S**

(45) **Date of Patent:** **\*\* Jun. 23, 2015**

(54) **WALL PLATE WITH SAFETY LIGHT**

(71) Applicant: **Stewart Wallach**, Deerfield Beach, FL  
(US)

(72) Inventor: **Stewart Wallach**, Deerfield Beach, FL  
(US)

(\*\*) Term: **14 Years**

(21) Appl. No.: **29/455,119**

(22) Filed: **May 16, 2013**

(51) **LOC (10) Cl.** ..... **13-03**

(52) **U.S. Cl.**  
USPC ..... **D13/139.1**

(58) **Field of Classification Search**  
USPC ..... D13/139.1-139.8, 137.1-137.4, 152,  
D13/153, 138.1, 138.2, 199, 160, 184, 156,  
D13/162, 110; 361/683, 118, 119;  
174/53-58, 66, 50.56, 51; 439/620.21,  
439/650-655, 535, 105-107, 692; D14/218  
See application file for complete search history.

(56) **References Cited**

**U.S. PATENT DOCUMENTS**

D367,037 S \* 2/1996 Fladung et al. .... D13/137.2  
D523,397 S \* 6/2006 Maglionico et al. .... D13/137.2

D582,346 S \* 12/2008 Zhou ..... D13/137.2  
D595,229 S \* 6/2009 LaGrotta ..... D13/137.2  
D605,961 S \* 12/2009 Tsou et al. .... D10/100  
D609,642 S \* 2/2010 Gandolfi et al. .... D13/137.2  
D616,870 S \* 6/2010 Choo et al. .... D14/218  
D620,815 S \* 8/2010 Stekelenburg ..... D10/40  
D688,631 S \* 8/2013 Ku et al. .... D13/156  
D691,966 S \* 10/2013 Stossell ..... D13/162  
D699,183 S \* 2/2014 Zaslavsky et al. .... D13/110  
D711,828 S \* 8/2014 Mozdzer ..... D13/139.1

\* cited by examiner

*Primary Examiner* — Holly Baynham

*Assistant Examiner* — Rhea Shields

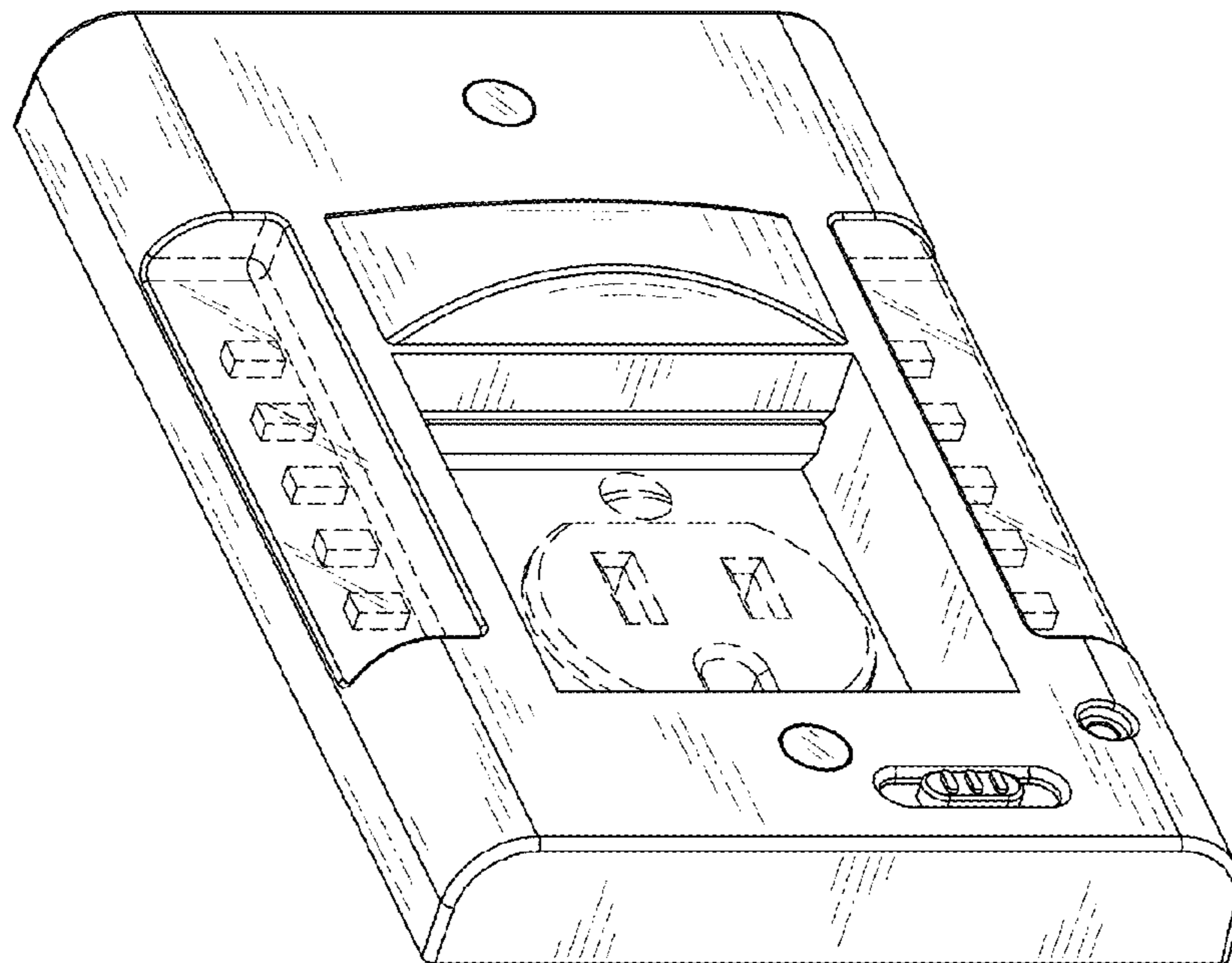
(57) **CLAIM**

The ornamental design for a wall plate with safety light, as shown and described.

**DESCRIPTION**

FIG. 1 is a perspective view of a wall plate with safety light showing my new design;  
FIG. 2 is a front elevational view thereof;  
FIG. 3 is a rear elevational view thereof;  
FIG. 4 is a left side elevational view thereof;  
FIG. 5 is a right side elevational view thereof;  
FIG. 6 is a top plan view thereof; and,  
FIG. 7 is a bottom plan view thereof.  
In the drawings, the broken lines depict environmental subject matter only and form no part of the claimed design.

**1 Claim, 6 Drawing Sheets**



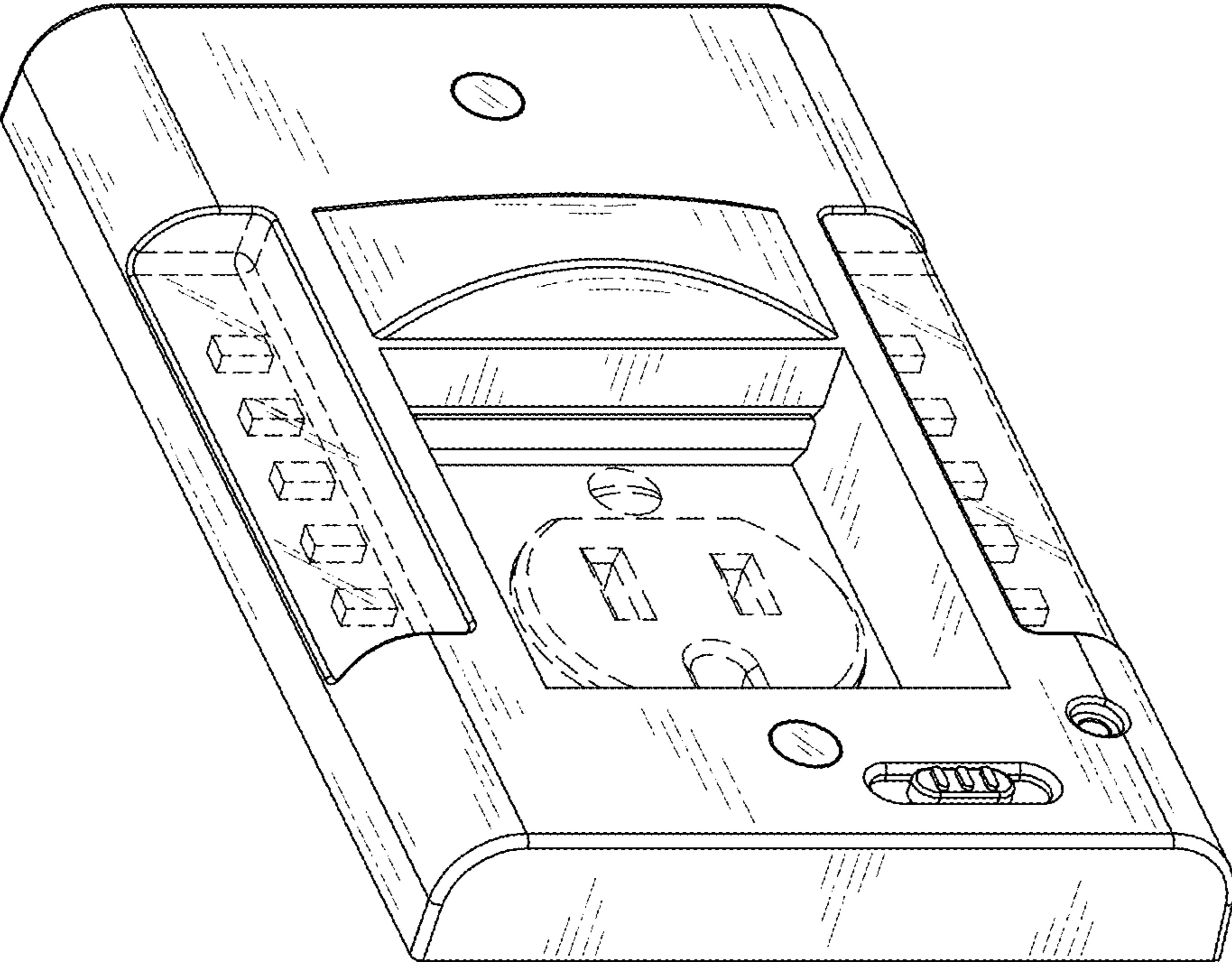


FIG. 1

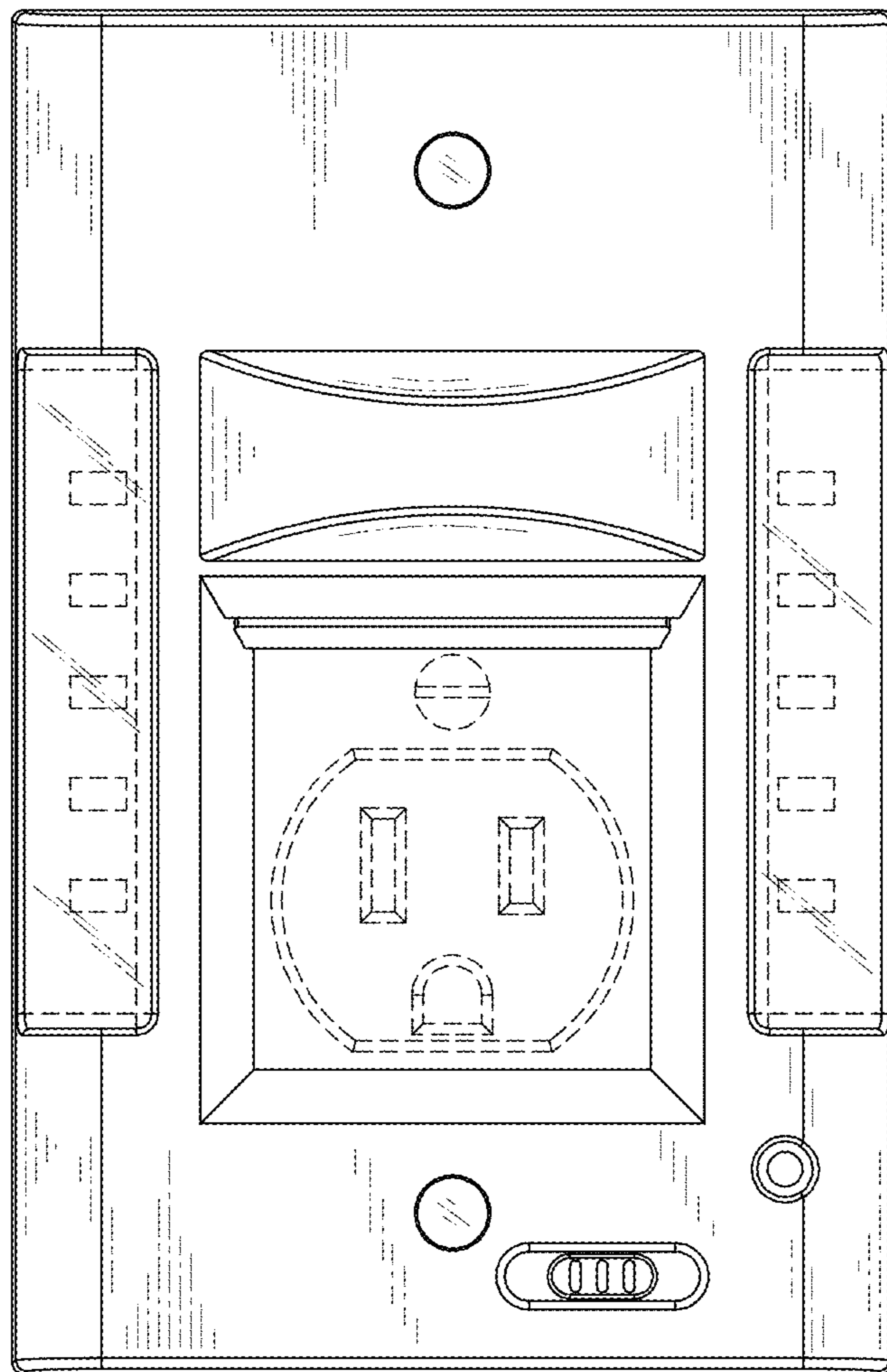


FIG. 2

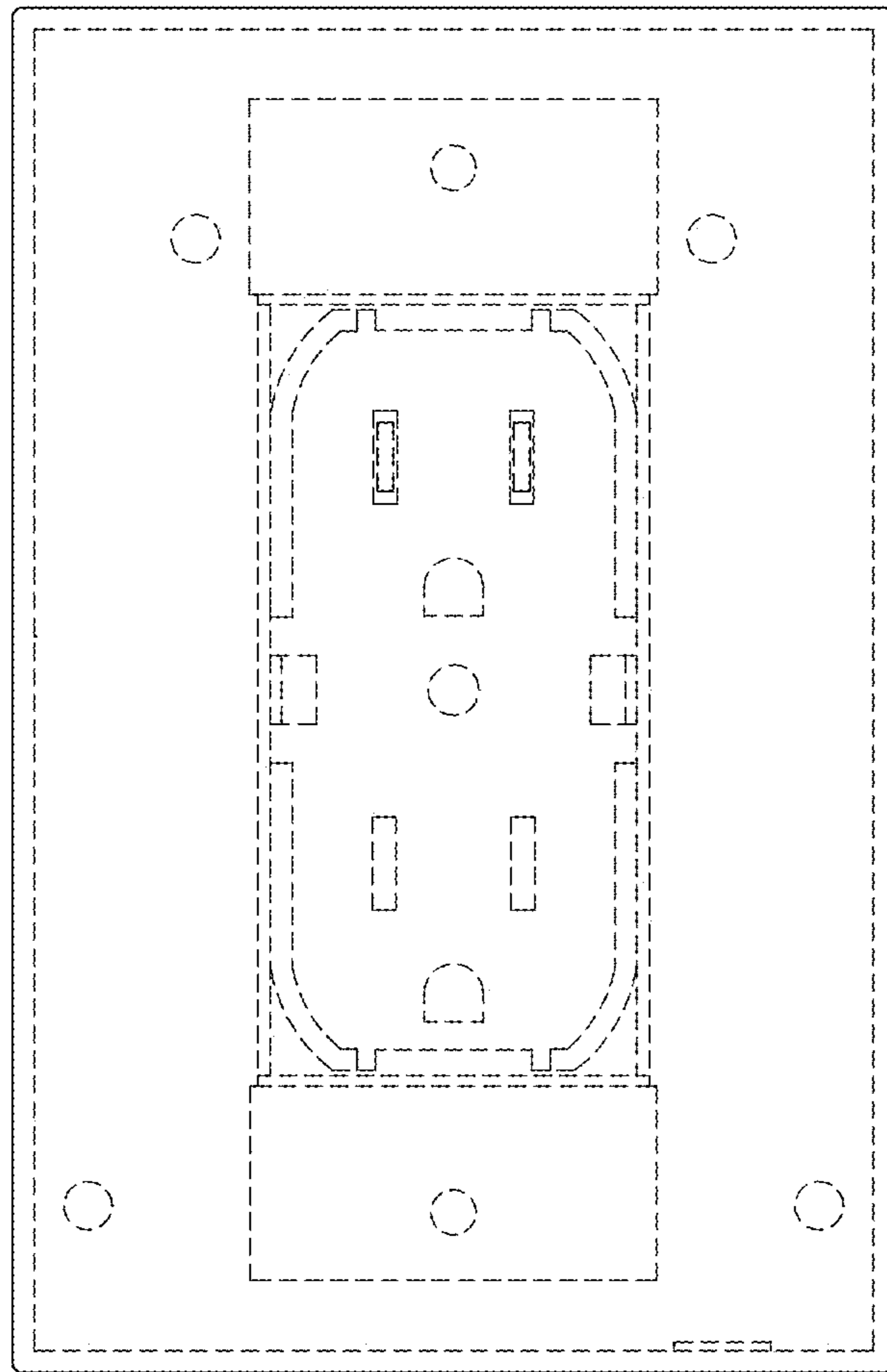


FIG. 3

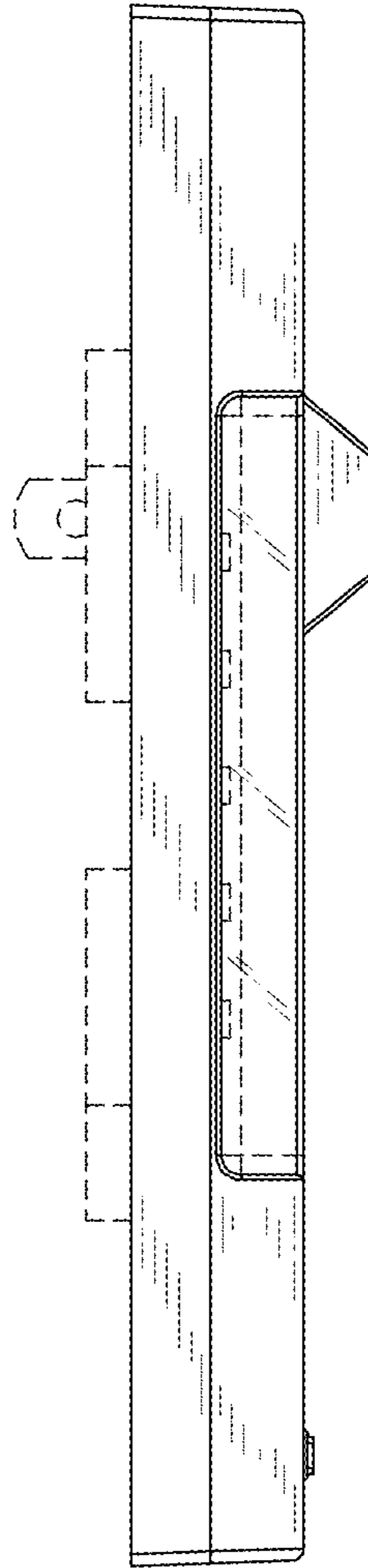


FIG. 4

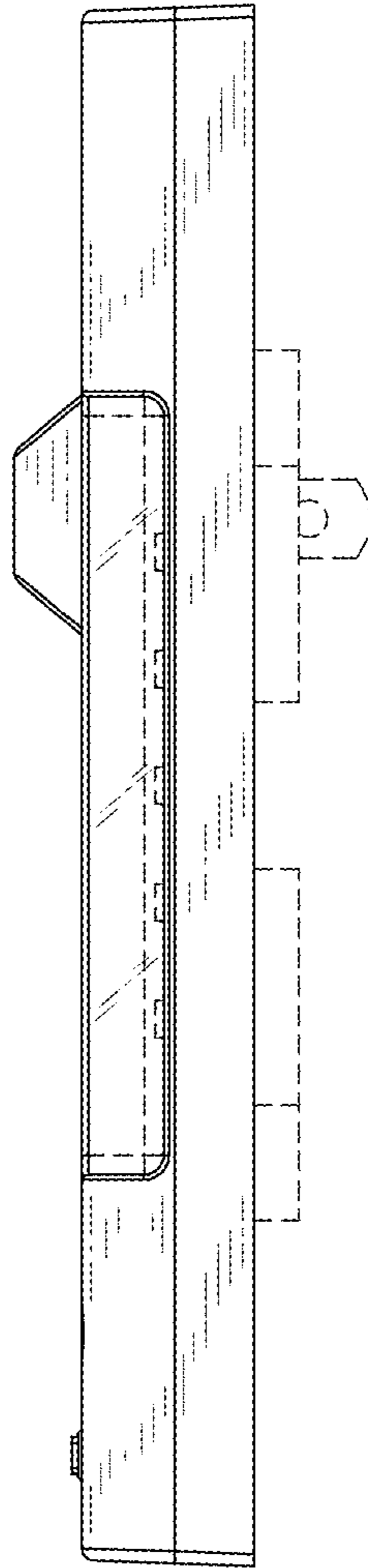


FIG. 5

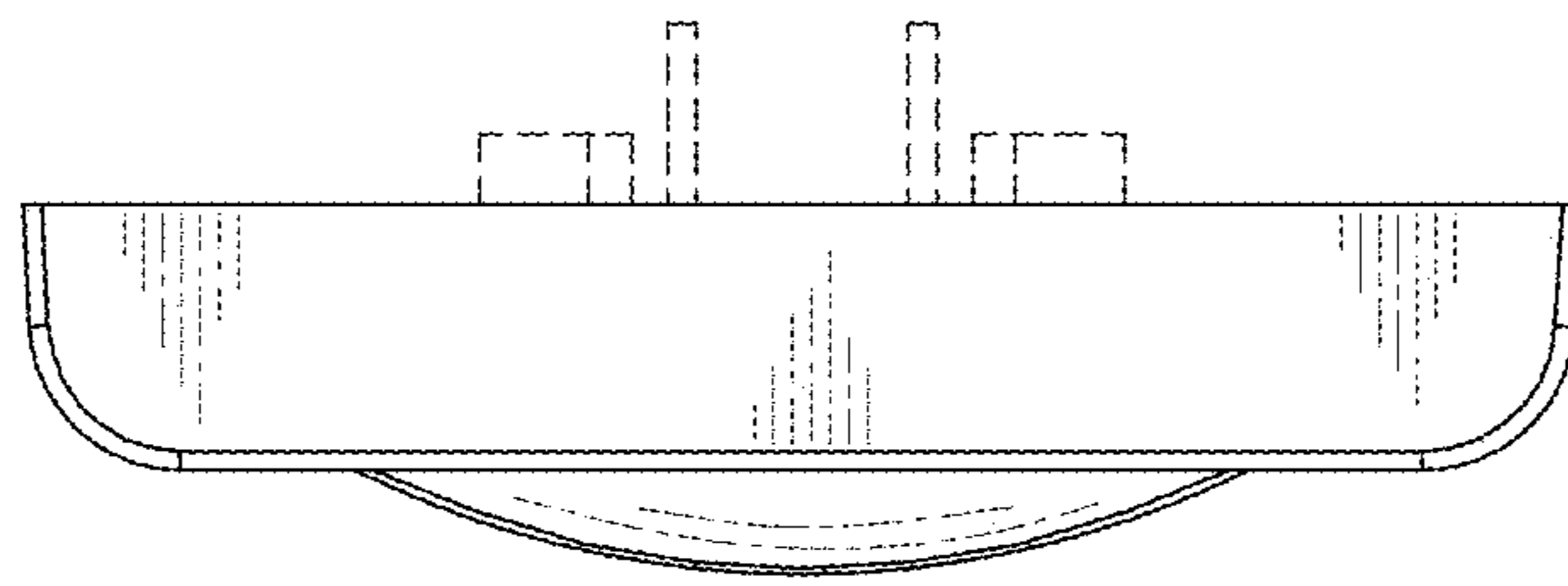


FIG. 6

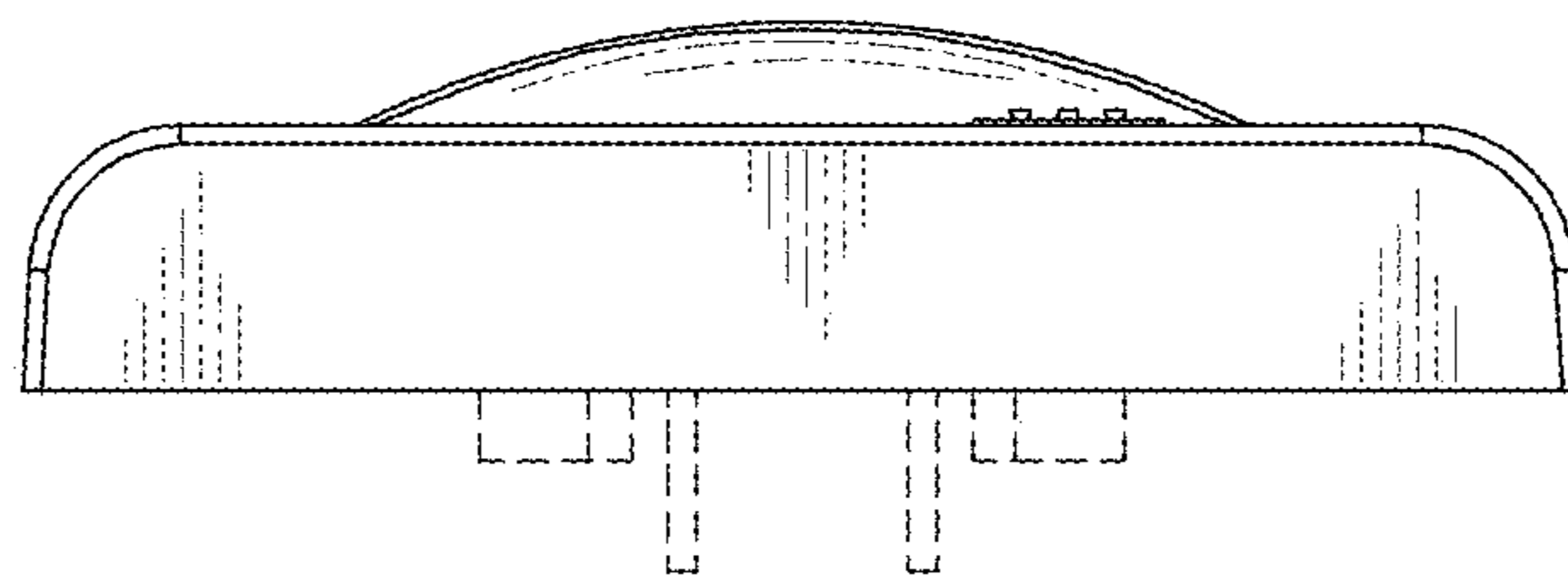


FIG. 7