



US00D732473S

(12) **United States Design Patent**
Maurer et al.

(10) **Patent No.:** **US D732,473 S**
(45) **Date of Patent:** **** Jun. 23, 2015**

(54) **CYLINDER ASSEMBLY**

(71) Applicant: **Parker-Hannifin Corporation**,
Cleveland, OH (US)

(72) Inventors: **Garrett M. Maurer**, Maplewood, MN
(US); **James R Prazak**, White Bear
Lake, MN (US)

(73) Assignee: **Parker-Hannifin Corporation**,
Cleveland, OH (US)

(**) Term: **14 Years**

(21) Appl. No.: **29/454,987**

(22) Filed: **May 16, 2013**

(51) **LOC (10) Cl.** **13-03**

(52) **U.S. Cl.**
USPC **D13/122; D13/174**

(58) **Field of Classification Search**
USPC D13/110, 112, 122-128, 133, 147,
D13/158-160, 162, 174, 184, 199;
D14/300, 308, 311-314, 348, 349,
D14/356; 60/476; 137/343; 200/43.14,
200/50.01, 50.21-50.23; 361/44, 115, 608,
361/634, 679.01; D15/143

CPC H01H 11/00; H01H 19/02; H01H 19/10;
H01H 19/28; H01H 19/36; H01H 19/64;
H01H 1/06; H01H 1/2041; H01H 1/42;
H01H 2071/0292; H01H 2071/042; H01H
33/08; H01H 33/12; H01H 33/42; H01H 3/30;
H01H 3/3015; H01H 71/025; H01H 71/04;
H01H 71/1054; H01H 9/167; H01H 9/281;
H01H 9/282; H05K 7/1432; H01G 9/008;
H01G 4/32; H01G 9/10; H01G 4/28; A61N
1/3975; F15B 15/1428; F15B 11/0365;
F15B 15/084; F15B 15/1414; F15B 15/1433;
F15B 2211/7056; Y02E 60/13; H01T 13/08;
H01T 13/06; H01T 13/20; A61G 7/1019;
A61G 7/1044; A61G 7/1076

See application file for complete search history.

(56) **References Cited**

U.S. PATENT DOCUMENTS

5,046,421	A *	9/1991	DeMoore	101/420
5,245,912	A *	9/1993	Muller et al.	92/137
5,522,302	A *	6/1996	Yuda et al.	91/533
6,216,581	B1 *	4/2001	Murao et al.	92/5 R
6,226,809	B1 *	5/2001	Davies	4/563.1
D562,326	S *	2/2008	Hsu	D14/433
D621,860	S *	8/2010	Fukano et al.	D15/143
D636,799	S *	4/2011	Fukano et al.	D15/143
D664,169	S *	7/2012	Shirai et al.	D15/143
D665,433	S *	8/2012	Beam et al.	D15/143
2008/0054777	A1 *	3/2008	Callahan et al.	313/143
2013/0312848	A1 *	11/2013	Maurer et al.	137/343

* cited by examiner

Primary Examiner — Thomas Johannes

Assistant Examiner — Shawn T Gingrich

(74) *Attorney, Agent, or Firm* — Renner, Otto, Boisselle &
Sklar, LLP

(57) **CLAIM**

The ornamental design for a cylinder assembly, as shown and described.

DESCRIPTION

FIG. 1 is a front top perspective view of a cylinder assembly showing our new design.

FIG. 2 is a front bottom perspective view thereof.

FIG. 3 is a rear top perspective view thereof.

FIG. 4 is a rear bottom perspective view thereof.

FIG. 5 is a front view thereof.

FIG. 6 is a rear view thereof.

FIG. 7 is a right side view thereof.

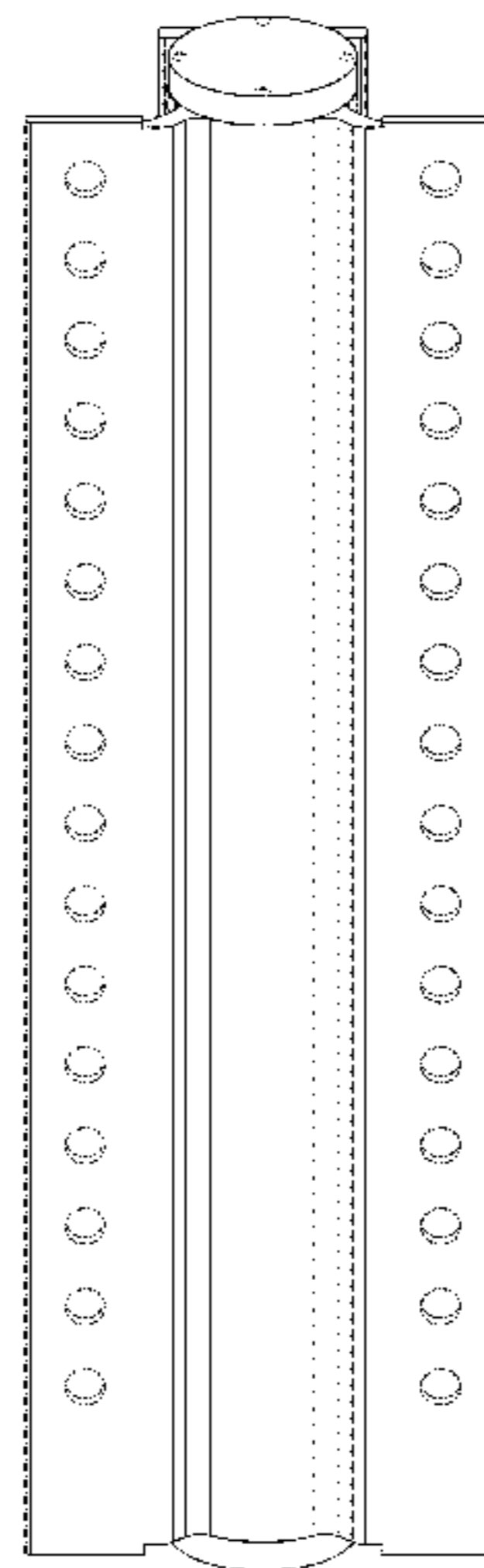
FIG. 8 is a left side view thereof.

FIG. 9 is a top view thereof; and,

FIG. 10 is a bottom view thereof.

The broken line portion of the figure drawings is included to show unclaimed subject matter only and forms no part of the claimed design.

1 Claim, 8 Drawing Sheets



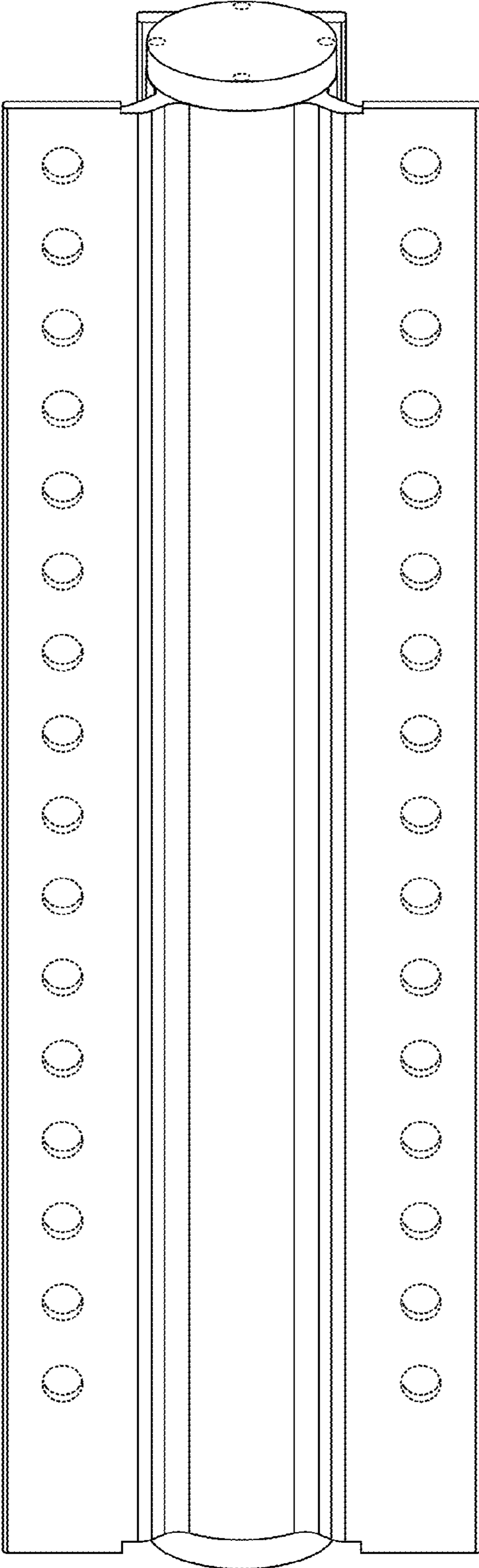


Fig. 1

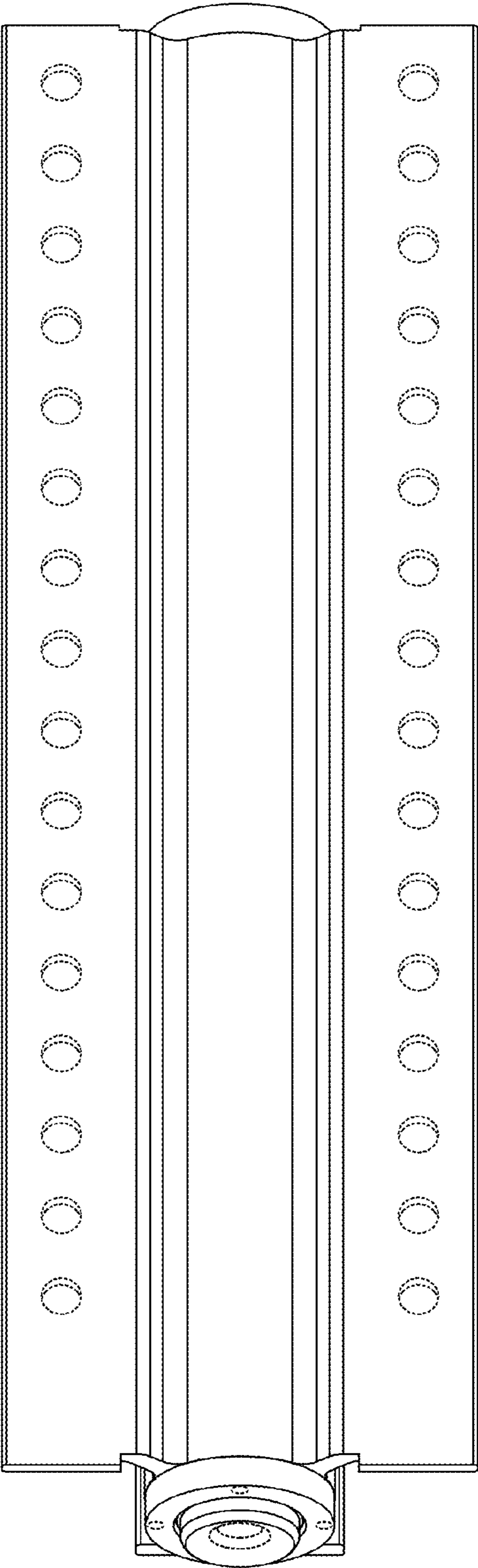


Fig. 2

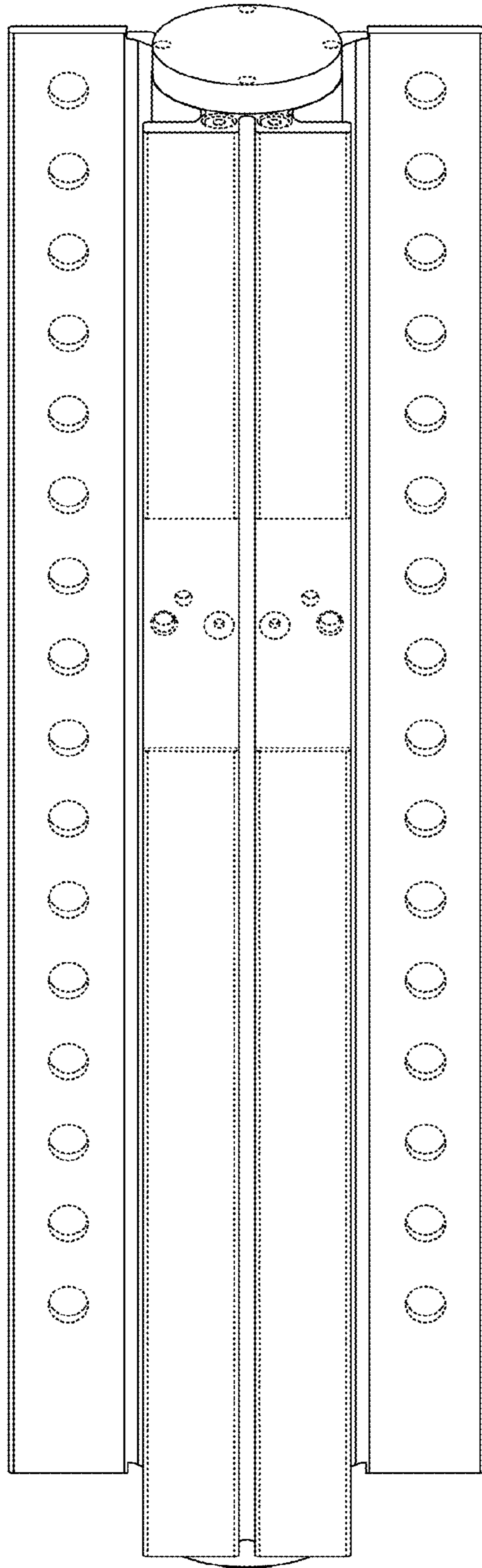


Fig. 3

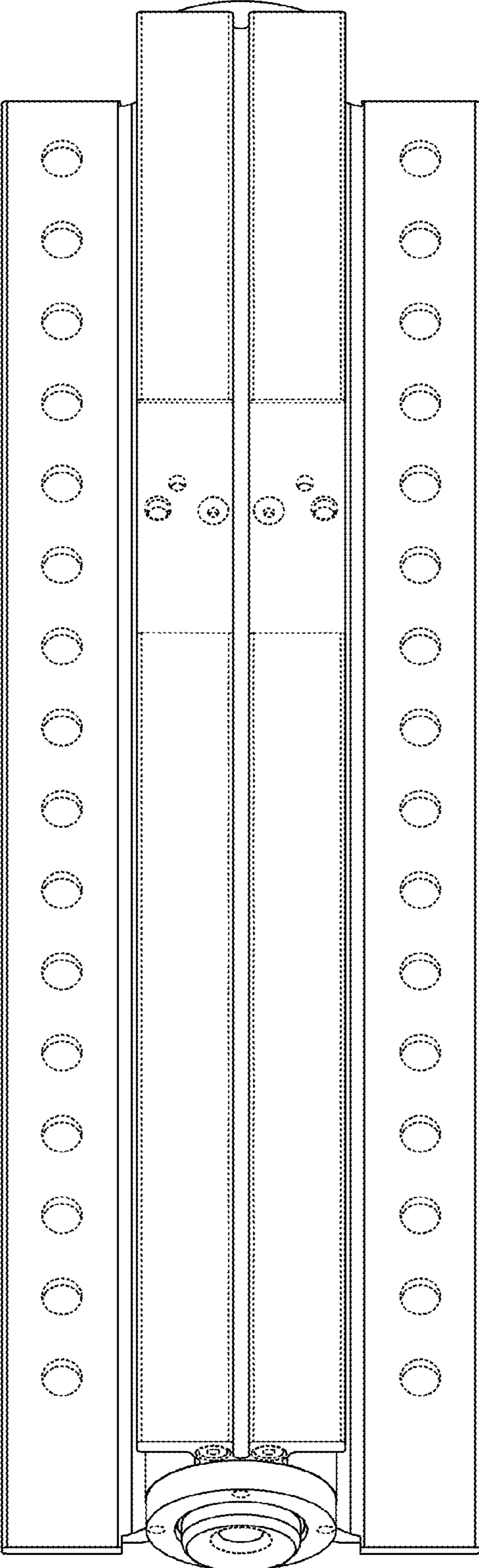


Fig. 4

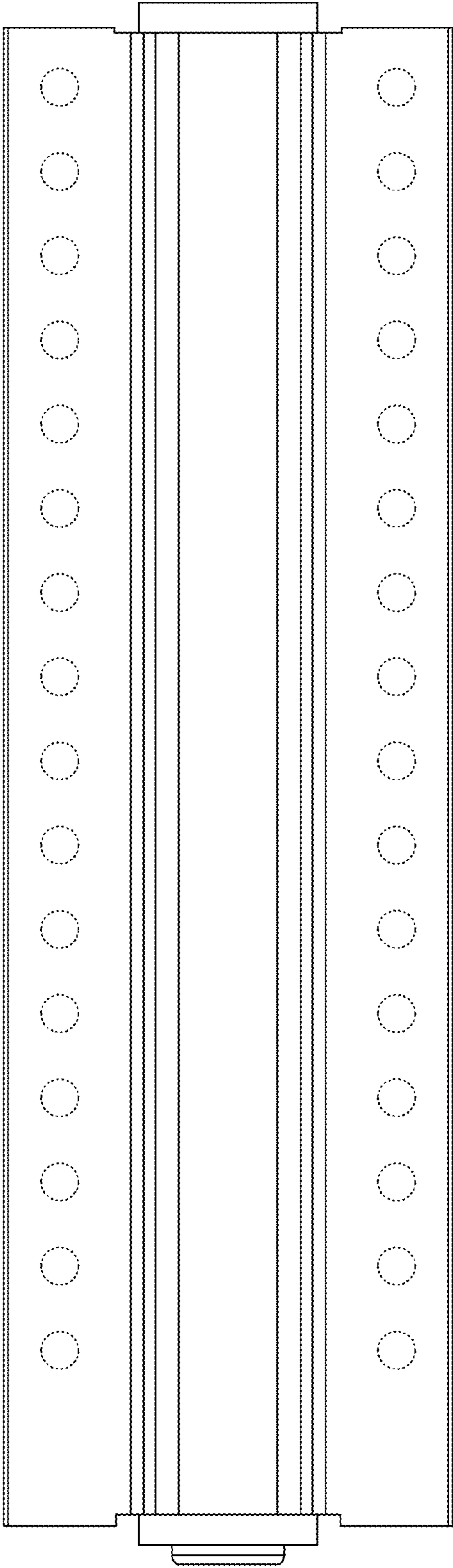


Fig. 5

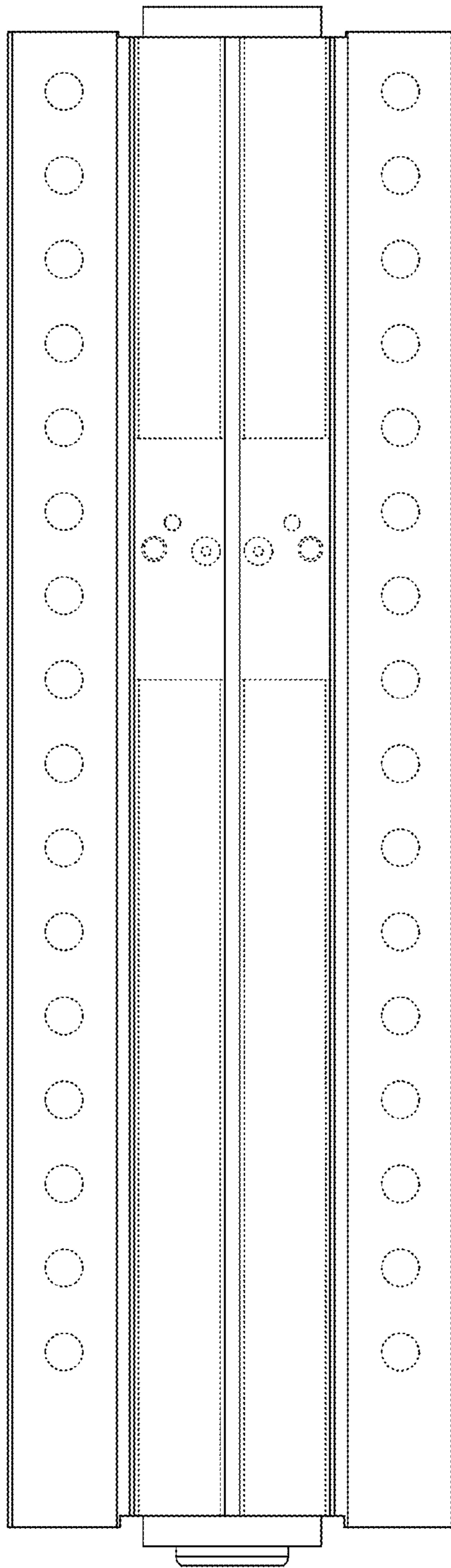


Fig. 6

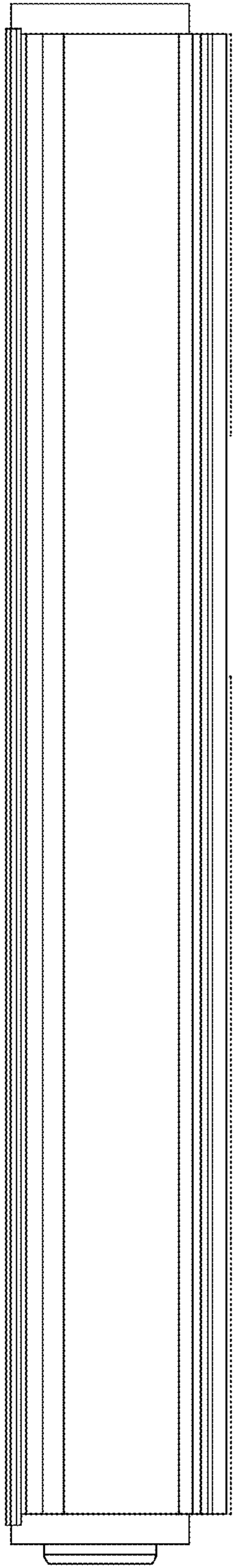


Fig. 7

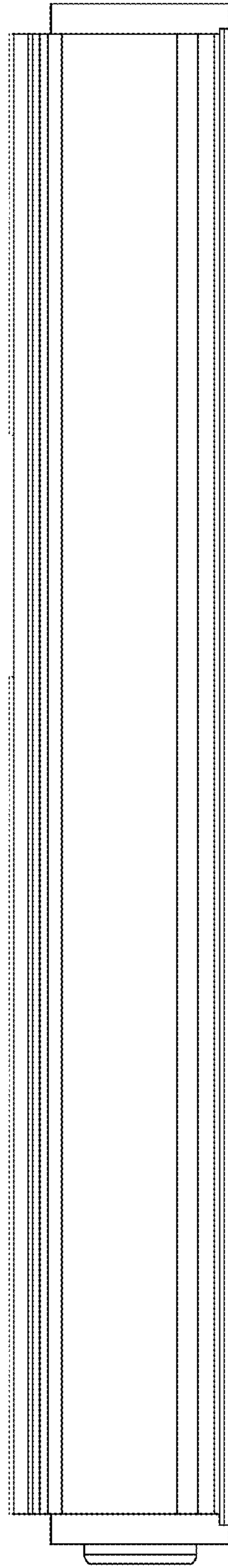


Fig. 8

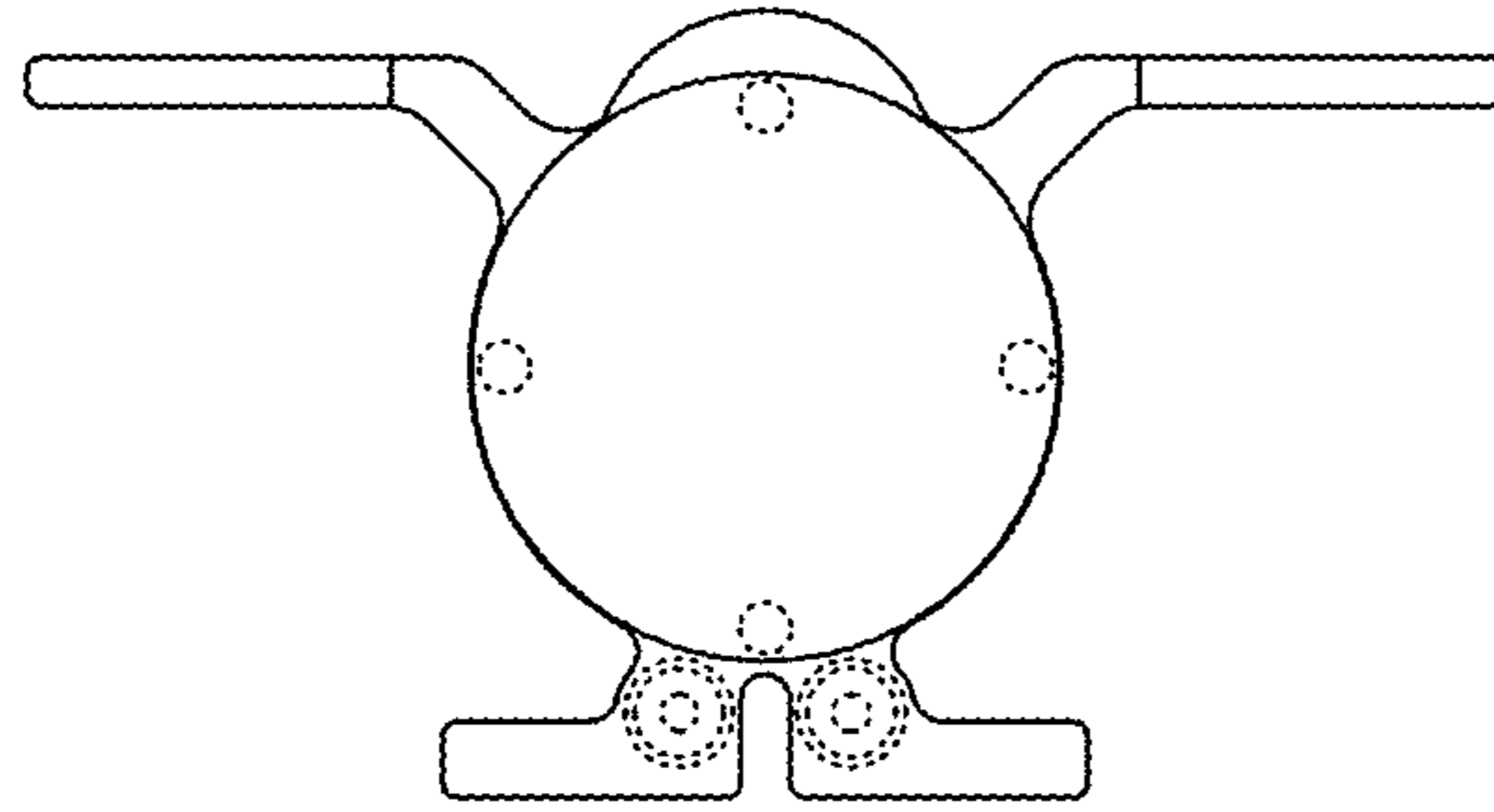


Fig. 9

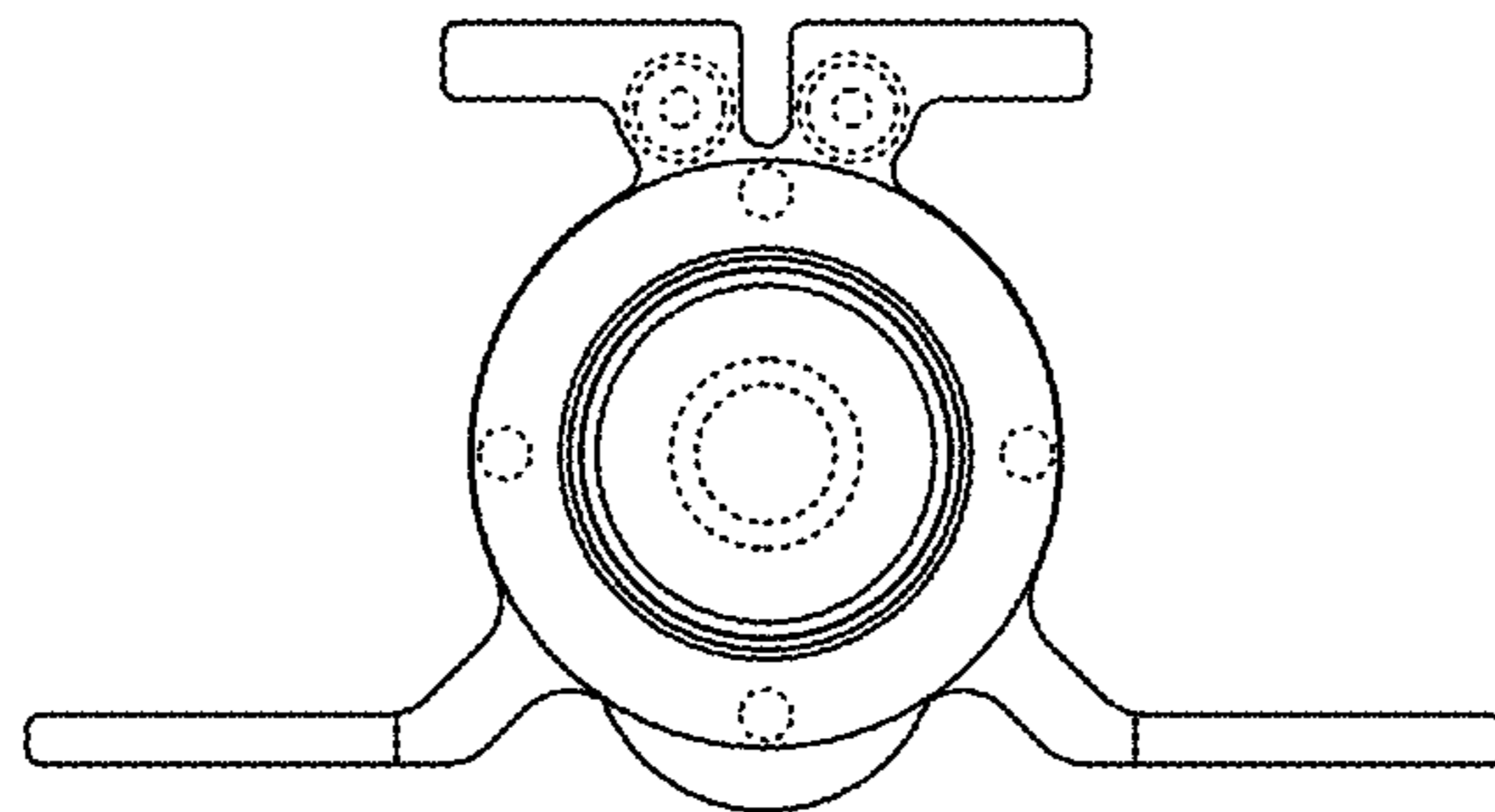


Fig. 10