



US00D732472S

(12) **United States Design Patent**  
**Laffon et al.**

(10) **Patent No.:** **US D732,472 S**  
(45) **Date of Patent:** **\*\* Jun. 23, 2015**

- (54) **POWER ADAPTER**
- (75) Inventors: **Emmanuel Laffon**, Burlingame, CA (US); **Marc Walliser**, San Francisco, CA (US); **Christopher Green**, San Francisco, CA (US)
- (73) Assignee: **Amazon Technologies, Inc.**, Reno, NV (US)

- 6,086,395 A 7/2000 Lloyd et al.
- D432,497 S 10/2000 Totsuka et al.
- D434,378 S 11/2000 Ullmann
- D446,499 S 8/2001 Andre et al.
- D449,030 S 10/2001 Baxter et al.
- D452,842 S 1/2002 Kajiwara et al.
- D456,008 S 4/2002 Kawanobe et al.
- D463,366 S 9/2002 MacKay
- D474,739 S 5/2003 Chang

(Continued)

(\*\*) Term: **14 Years**

(21) Appl. No.: **29/430,011**

(22) Filed: **Aug. 20, 2012**

(51) **LOC (10) Cl.** ..... **13-02**

(52) **U.S. Cl.**  
USPC ..... **D13/110**

(58) **Field of Classification Search**  
USPC ..... D13/110, 103, 107, 108, 118, 119,  
D13/138.1, 138.2, 139.1, 139.2, 184, 199;  
D14/253, 432, 433, 434; 320/107-115;  
439/103, 104, 105, 131, 172

See application file for complete search history.

(56) **References Cited**

**U.S. PATENT DOCUMENTS**

- D105,216 S 7/1937 Herman
- D258,429 S 3/1981 Buckler
- 4,543,624 A 9/1985 Rumble
- D305,326 S 1/1990 Clayton, Jr.
- D338,188 S 8/1993 Lee et al.
- D350,113 S 8/1994 Nagele
- D367,257 S 2/1996 Buelow et al.
- 5,648,712 A 7/1997 Hahn
- D383,115 S 9/1997 Nagele et al.
- 5,684,689 A 11/1997 Hahn
- 5,744,934 A 4/1998 Wu
- D400,174 S 10/1998 Shatkin
- D406,259 S 3/1999 Lindahl
- 5,973,948 A 10/1999 Hahn et al.
- D416,226 S 11/1999 Lohrding et al.

**OTHER PUBLICATIONS**

Canadian Office Action mailed Nov. 1, 2013 for Canadian patent application No. 149719, a counterpart foreign application of U.S. Appl. No. 29/430,011, 2 pages.

(Continued)

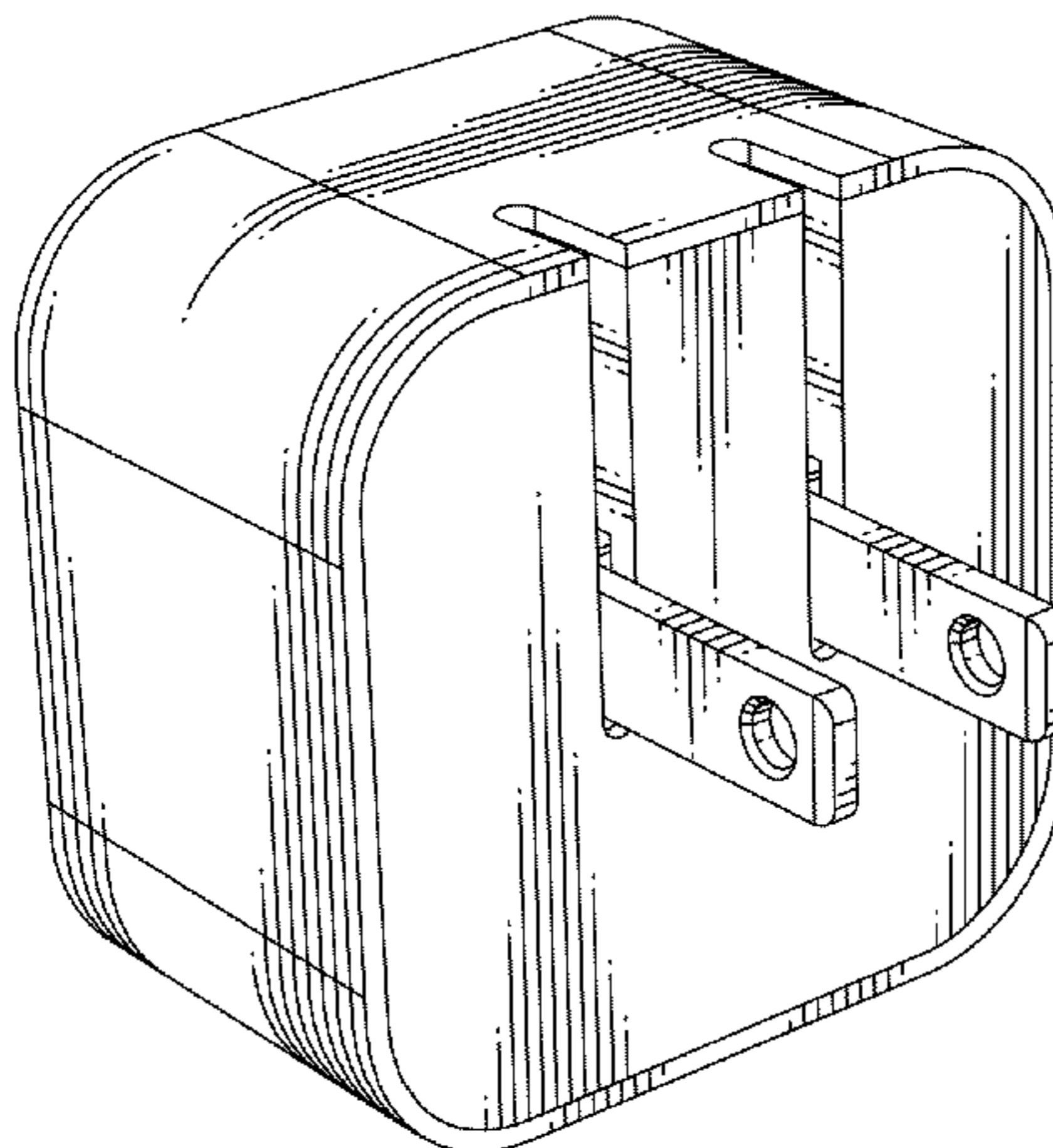
*Primary Examiner* — Derrick Holland  
(74) *Attorney, Agent, or Firm* — Lee & Hayes, PLLC

(57) **CLAIM**  
The ornamental design for a power adapter, as shown and described.

**DESCRIPTION**

FIG. 1 is a perspective view of a power adapter; FIG. 2 is another perspective view of the power adapter of FIG. 1; FIG. 3 is a bottom plan view of the power adapter of FIG. 1; FIG. 4 is a front elevation view of the power adapter of FIG. 1; FIG. 5 is a right-side elevation view of the power adapter of FIG. 1, the left-side elevation view of the power adapter of FIG. 1 being a mirror image of FIG. 5; FIG. 6 is a back elevation view of the power adapter of FIG. 1; and, FIG. 7 is a top plan view of the power adapter of FIG. 1. The broken lines are directed to unclaimed portions and form no part of the claimed design.

**1 Claim, 2 Drawing Sheets**



(56)

**References Cited**

U.S. PATENT DOCUMENTS

D478,310 S \* 8/2003 Andre et al. .... D13/110  
 D484,853 S 1/2004 Alviar  
 6,845,023 B2 1/2005 Philips et al.  
 D503,679 S 4/2005 Andre et al.  
 7,425,132 B2 9/2008 Yang et al.  
 D583,316 S 12/2008 Sade et al.  
 D601,500 S 10/2009 Green et al.  
 7,597,570 B2 10/2009 So  
 7,632,119 B1 \* 12/2009 Ma et al. .... 439/172  
 7,658,625 B2 2/2010 Jubelirer et al.  
 D610,993 S \* 3/2010 Fahrendorff et al. .... D13/138.1  
 D623,136 S \* 9/2010 Andre et al. .... D13/138.1  
 D651,975 S \* 1/2012 Smith et al. .... D13/138.1  
 D653,208 S \* 1/2012 Au ..... D13/108  
 D653,615 S \* 2/2012 Au ..... D13/108  
 8,113,855 B2 2/2012 Green et al.  
 D661,651 S \* 6/2012 Smith et al. .... D13/138.1  
 D664,093 S \* 7/2012 Andre et al. .... D13/138.1  
 8,410,752 B2 \* 4/2013 Sulem et al. .... 320/111  
 D683,314 S \* 5/2013 Andre et al. .... D13/138.1

2003/0068909 A1 4/2003 Su  
 2008/0076279 A1 3/2008 Wu et al.  
 2009/0191735 A1 7/2009 Lin  
 2010/0117597 A1\* 5/2010 Wang ..... 320/111

OTHER PUBLICATIONS

Chinese Office Action mailed Sep. 9, 2013 for Chinese patent application No. 201330042172.1, a counterpart foreign application of U.S. Appl. No. 29/430,011, 1 page.

Translated Japanese Office Action mailed Nov. 22, 2013 for Japanese design application No. 2013-003402, a counterpart foreign application of Design U.S. Appl. No. 29/430,011, 4 pages.

Translated Japanese Office Action mailed May 31, 2013 for Japanese design application No. 2013-003402, a counterpart foreign application of U.S. Appl. No. 29/430,011, 5 pages.

Final Office Action for U.S. Appl. No. 12/360,095, mailed on May 17, 2011, Chris Green, "Electrical Power Adapter".

Non-Final Office Action for U.S. Appl. No. 13/371,938, mailed on Aug. 10, 2012, Chris Green et al., "Electrical Power Adapter", 9 pages.

\* cited by examiner

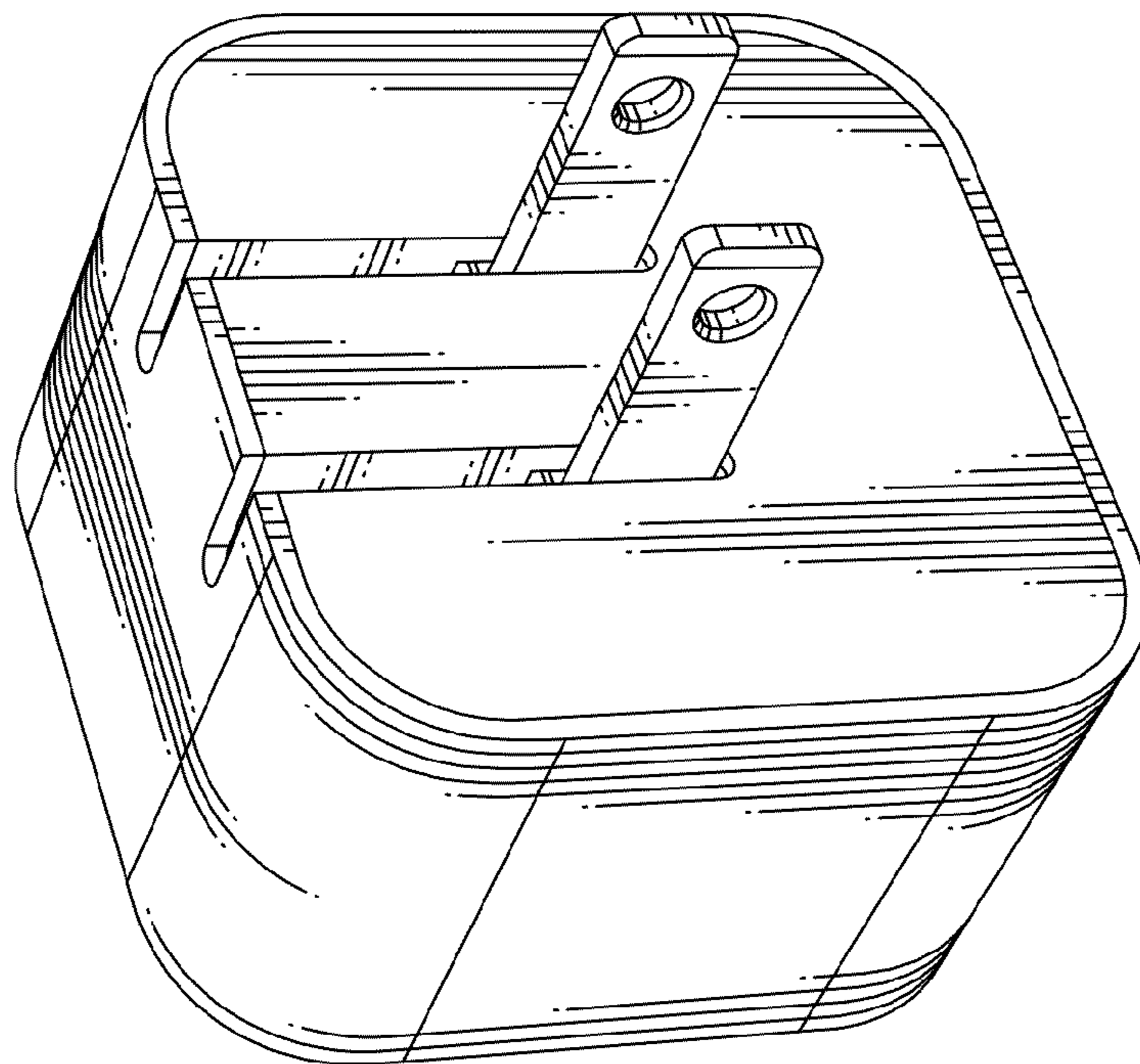


FIG. 1

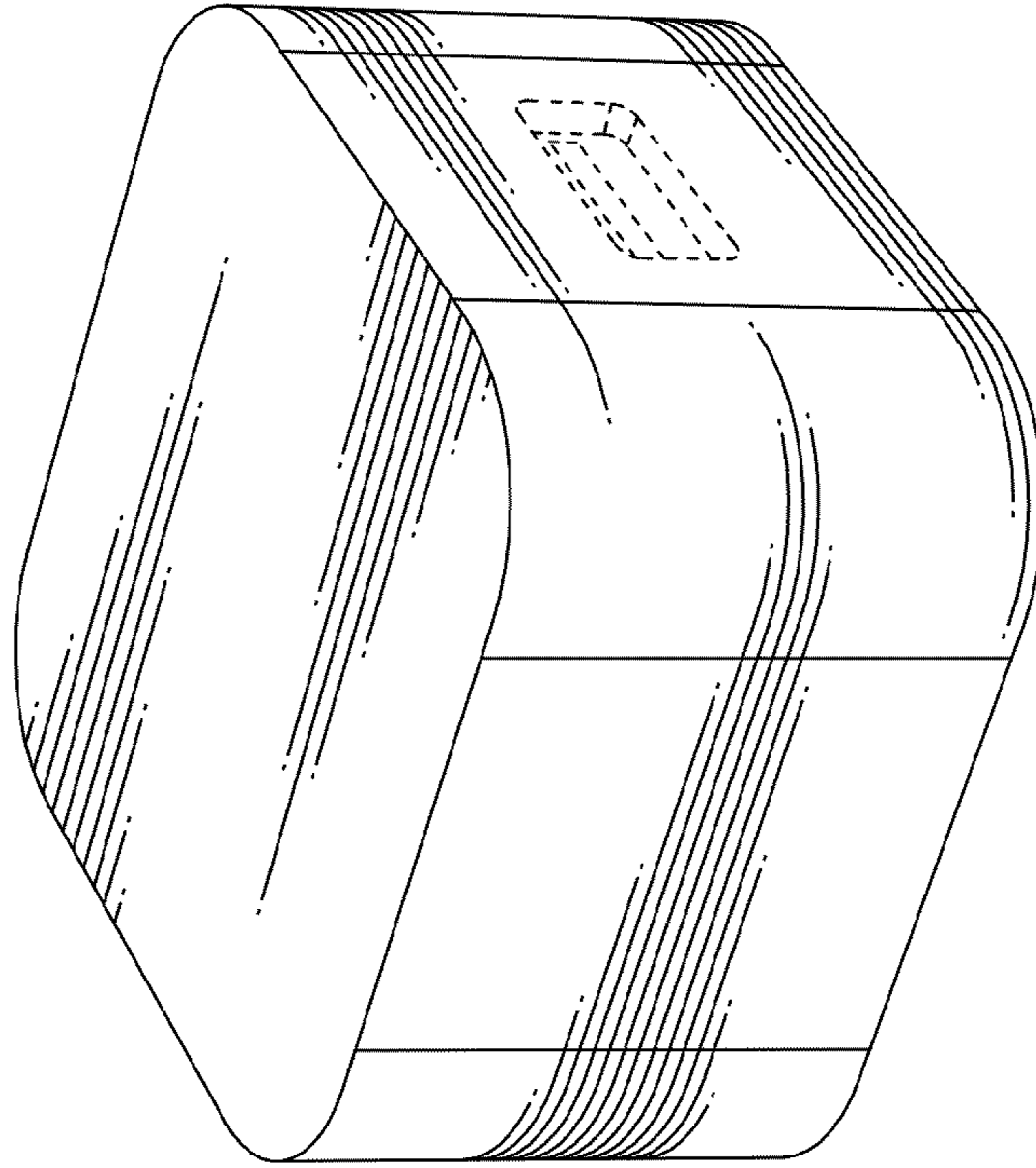


FIG. 2

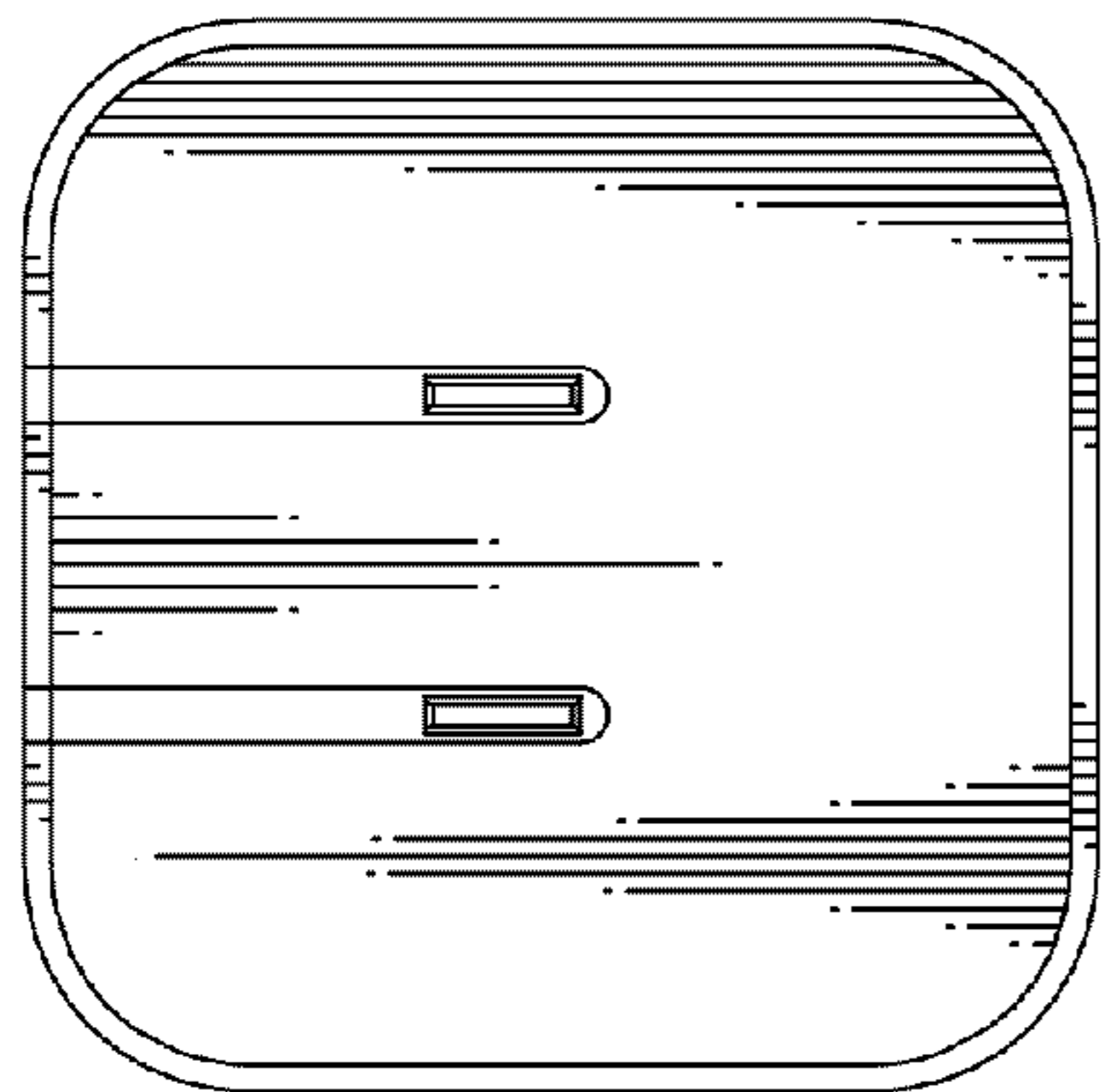


FIG. 3

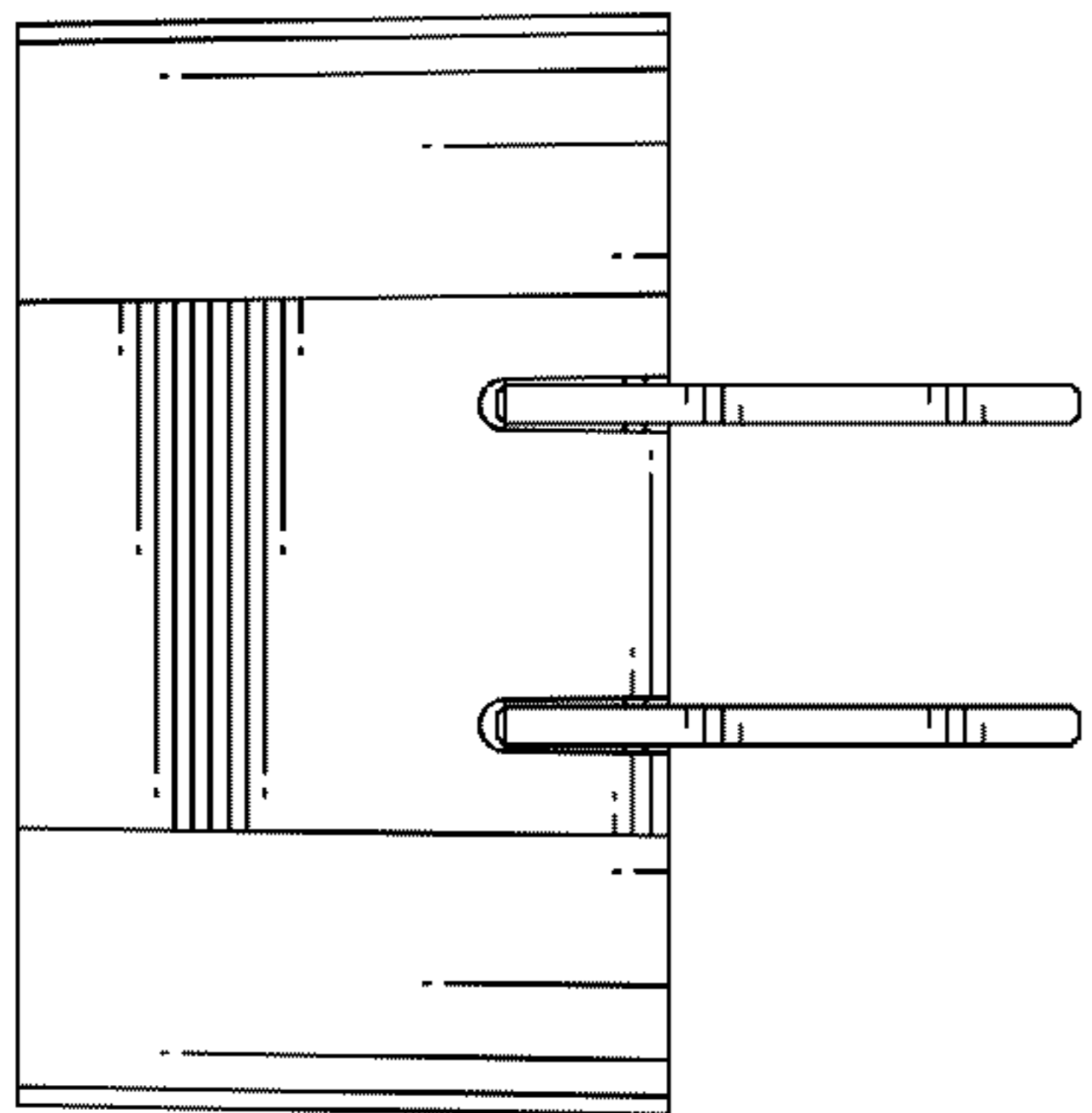


FIG. 4

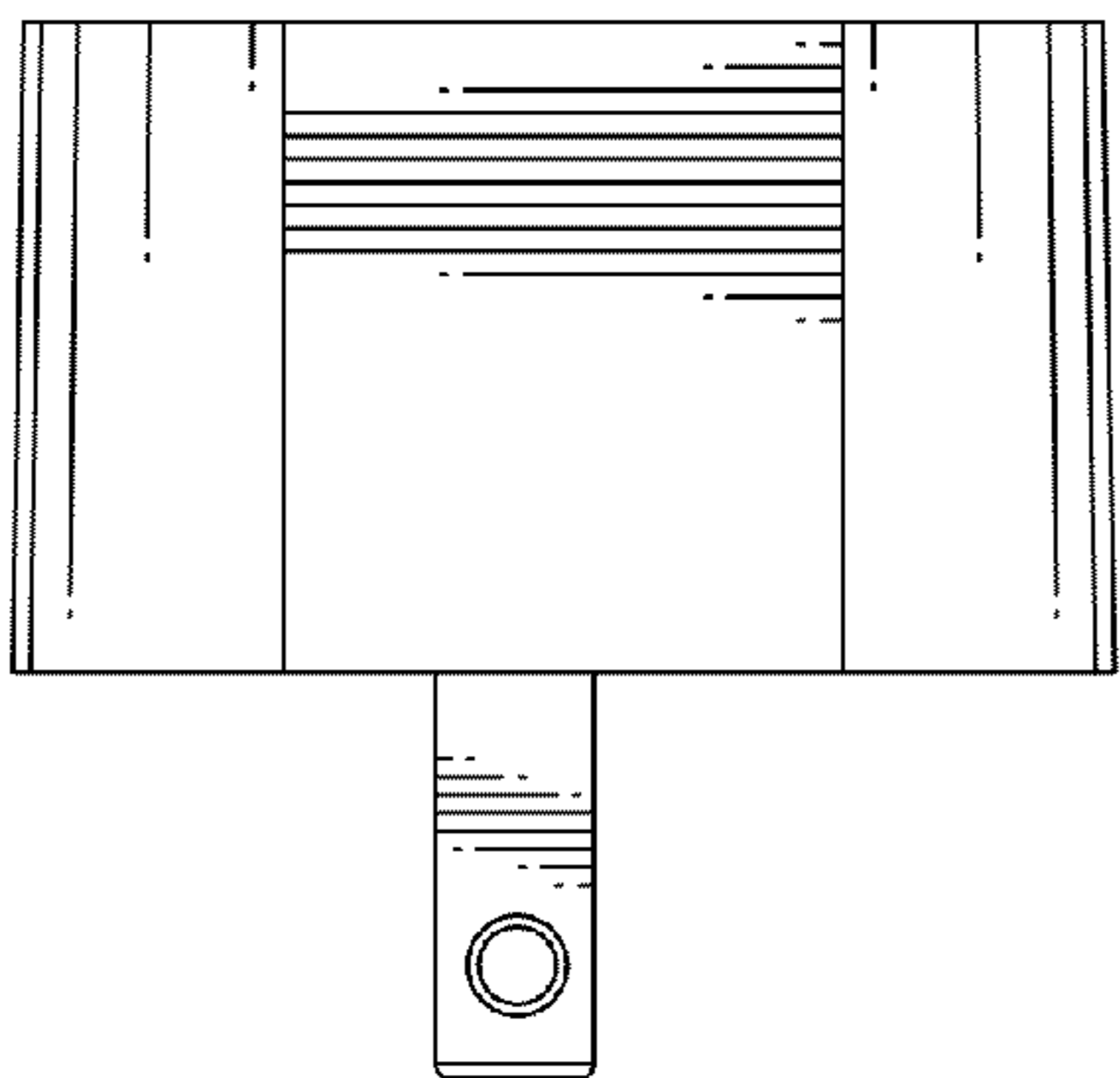


FIG. 5

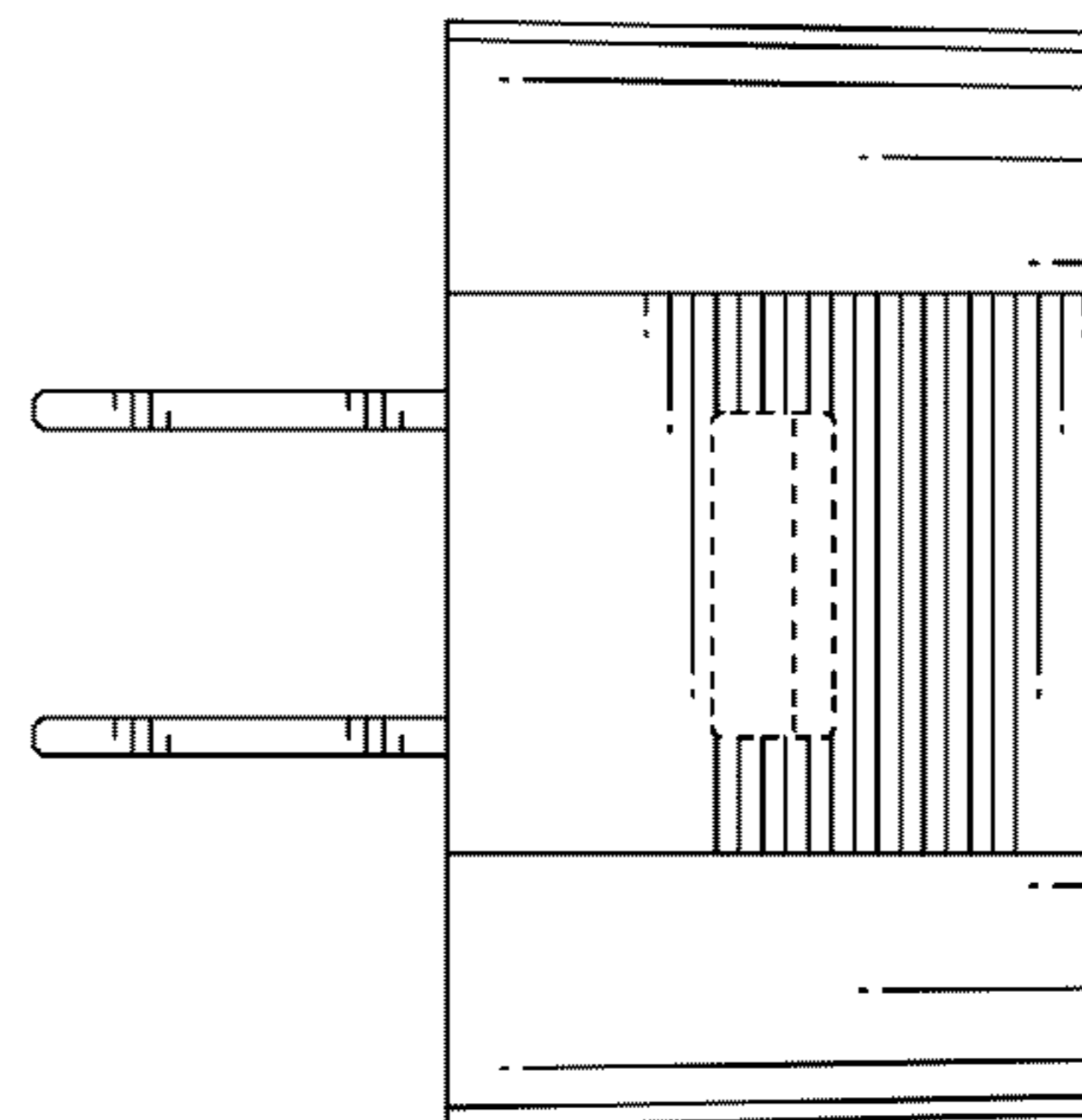


FIG. 6

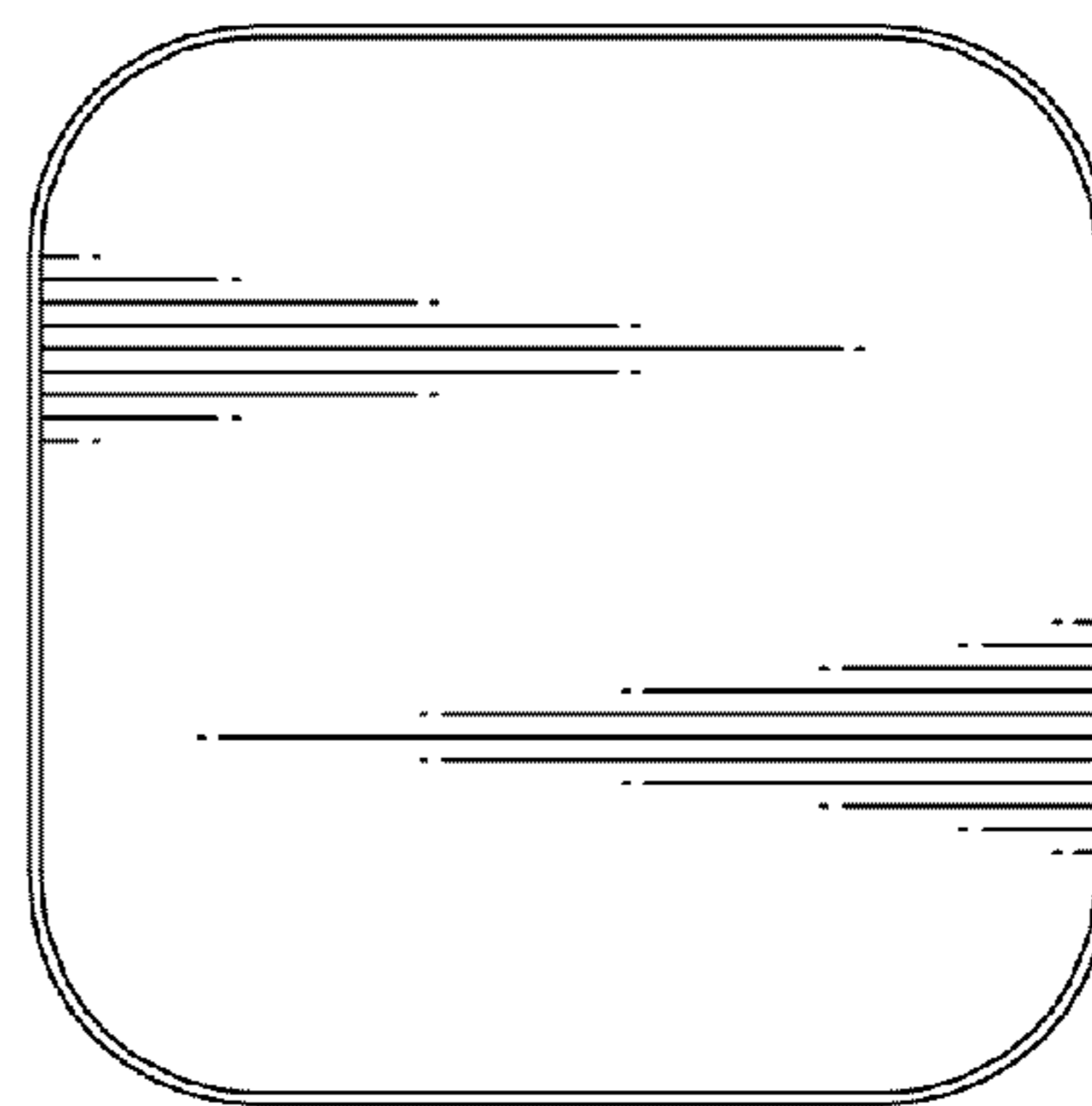


FIG. 7