

US00D732469S

(12) **United States Design Patent**
Warner et al.

(10) **Patent No.:** **US D732,469 S**
(45) **Date of Patent:** **** Jun. 23, 2015**

(54) **TIRE CAP RING**

(71) Applicant: **Semco Plastic Company**, St. Louis, MO (US)

(72) Inventors: **Scott K. Warner**, Lehi, UT (US);
Christian B. Poulsen, Provo, UT (US)

(73) Assignee: **Semco Plastic Company**, St. Louis, MO (US)

(**) Term: **14 Years**

(21) Appl. No.: **29/483,071**

(22) Filed: **Feb. 25, 2014**

(51) **LOC (10) Cl.** **12-15**

(52) **U.S. Cl.**
USPC **D12/607**

(58) **Field of Classification Search**
USPC D12/505-532; D26/118, 154; 137/382;
73/146.8
CPC B60C 23/0494; B60C 23/0496; B60C
29/066; B60C 29/06; F16K 15/205; F16K
27/08

See application file for complete search history.

(56) **References Cited**

U.S. PATENT DOCUMENTS

D75,651 S *	6/1928	Rosenblatt	D26/154
D270,724 S *	9/1983	Anderson	D12/607
D445,734 S *	7/2001	Sheu	D12/607
D491,519 S *	6/2004	Thieme	D12/607
D617,729 S *	6/2010	McGrath	D12/607
D624,875 S *	10/2010	Cowles	D12/607
D627,294 S *	11/2010	Cowles	D12/607

* cited by examiner

Primary Examiner — Stacia Cadmus

(74) *Attorney, Agent, or Firm* — Workman Nydegger

(57) **CLAIM**

The ornamental design for a tire cap ring, as shown and described.

DESCRIPTION

FIG. 1 is a perspective view of a tire cap ring showing my design;

FIG. 2 is a front elevational view thereof;

FIG. 3 is a rear elevational view thereof;

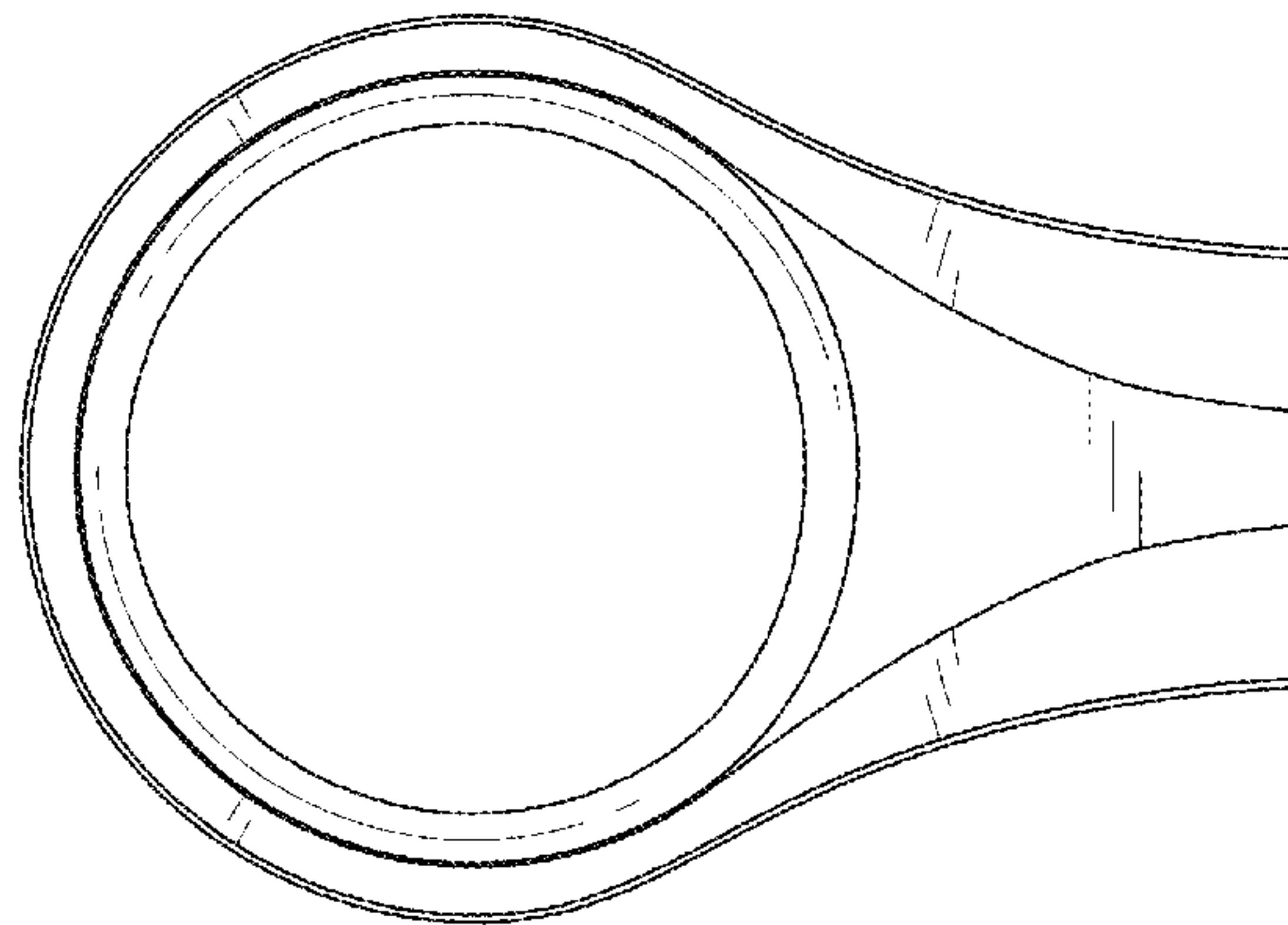
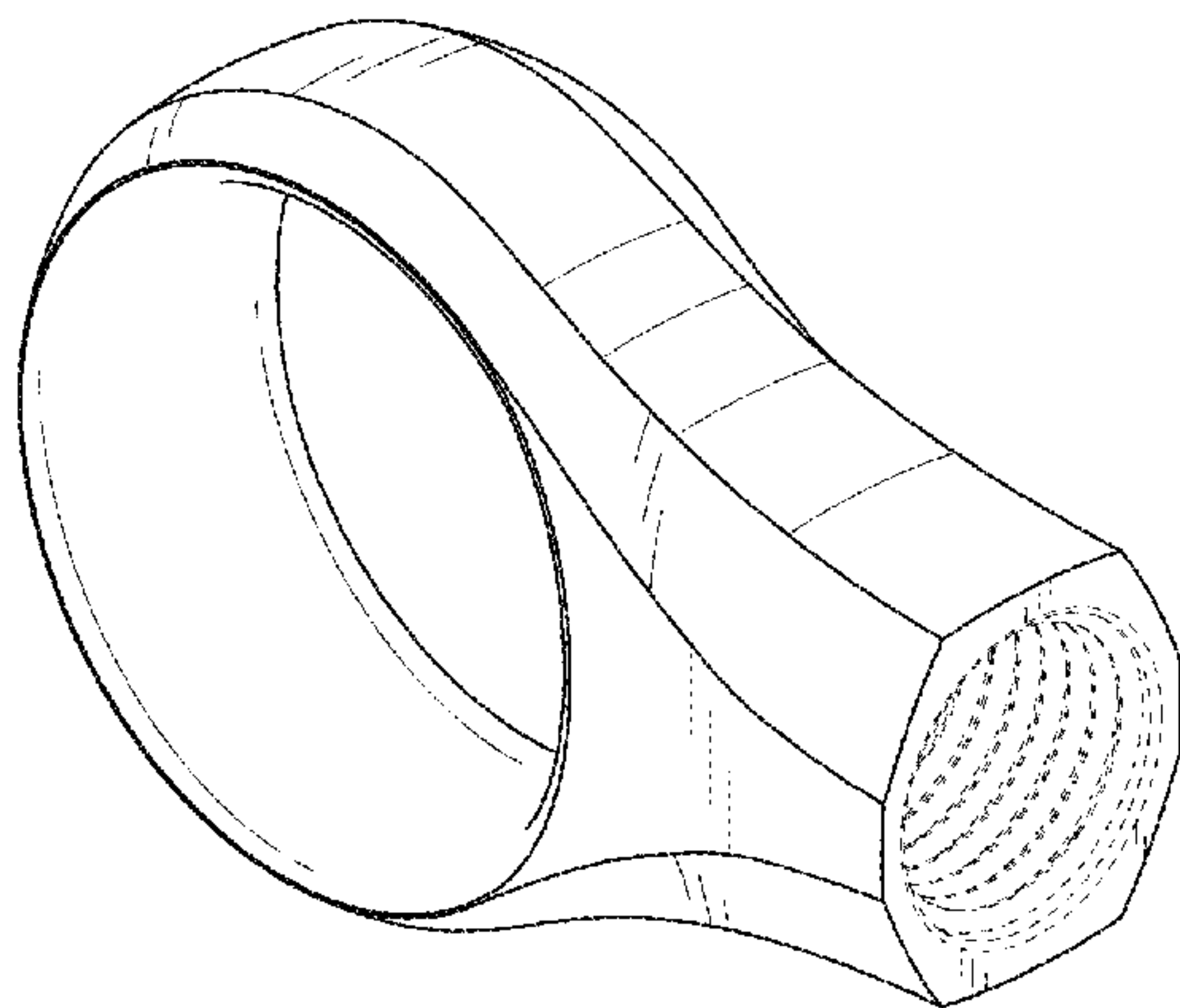
FIG. 4 is a left elevational view thereof;

FIG. 5 is a right elevational view thereof;

FIG. 6 is top plan view thereof; and,

FIG. 7 is a bottom plan view thereof.

1 Claim, 3 Drawing Sheets



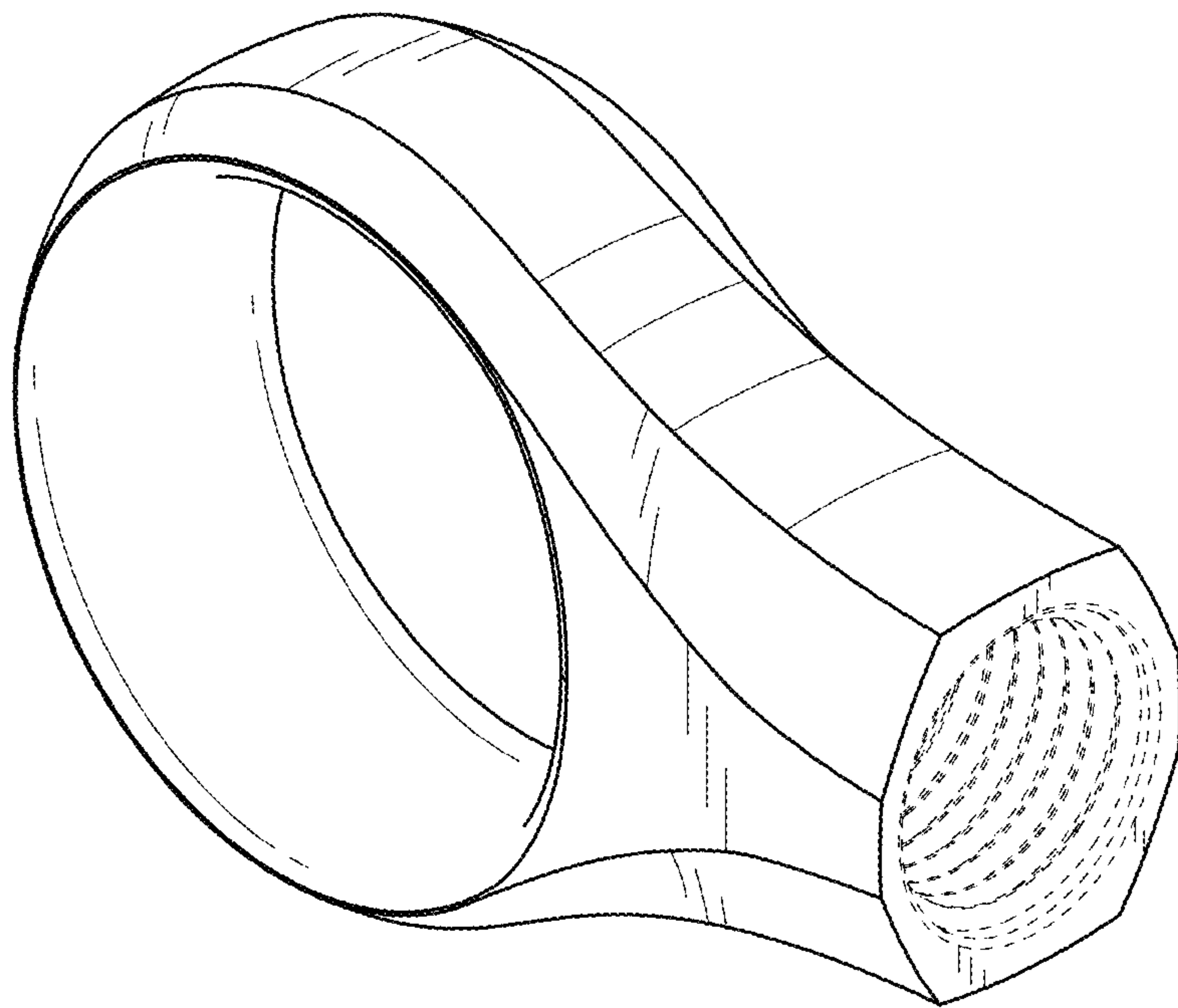


FIG. 1

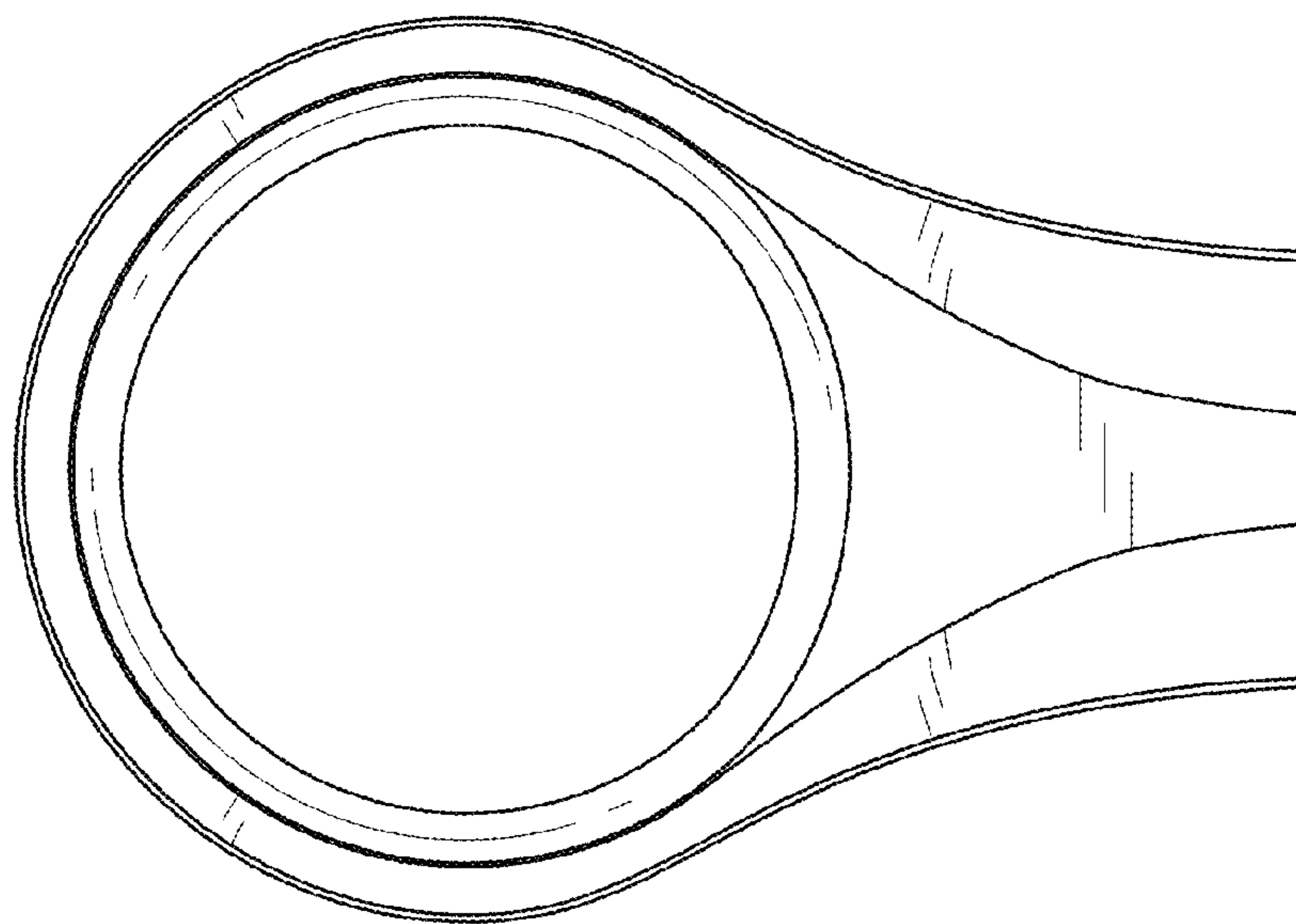


FIG. 2

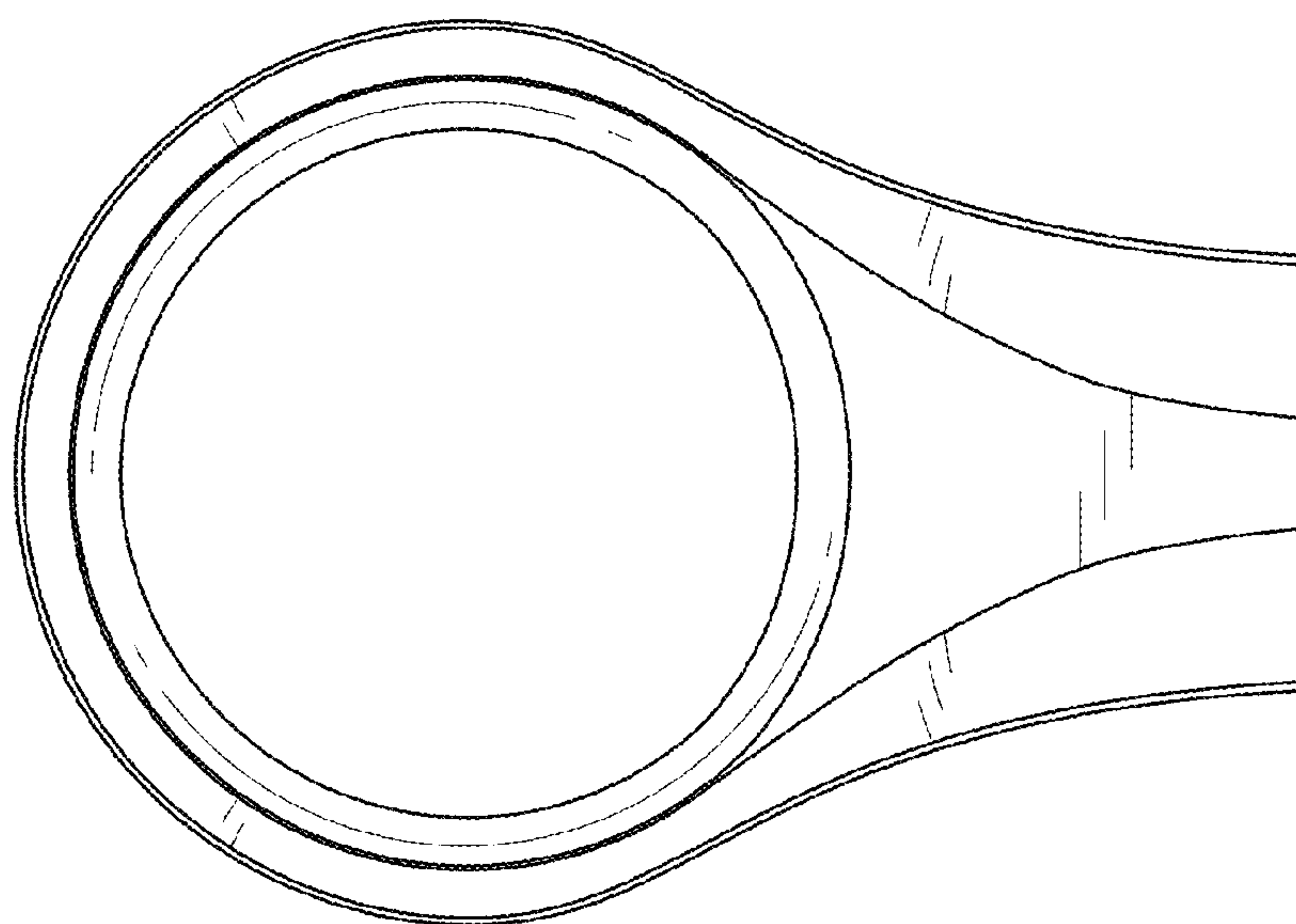


FIG. 3

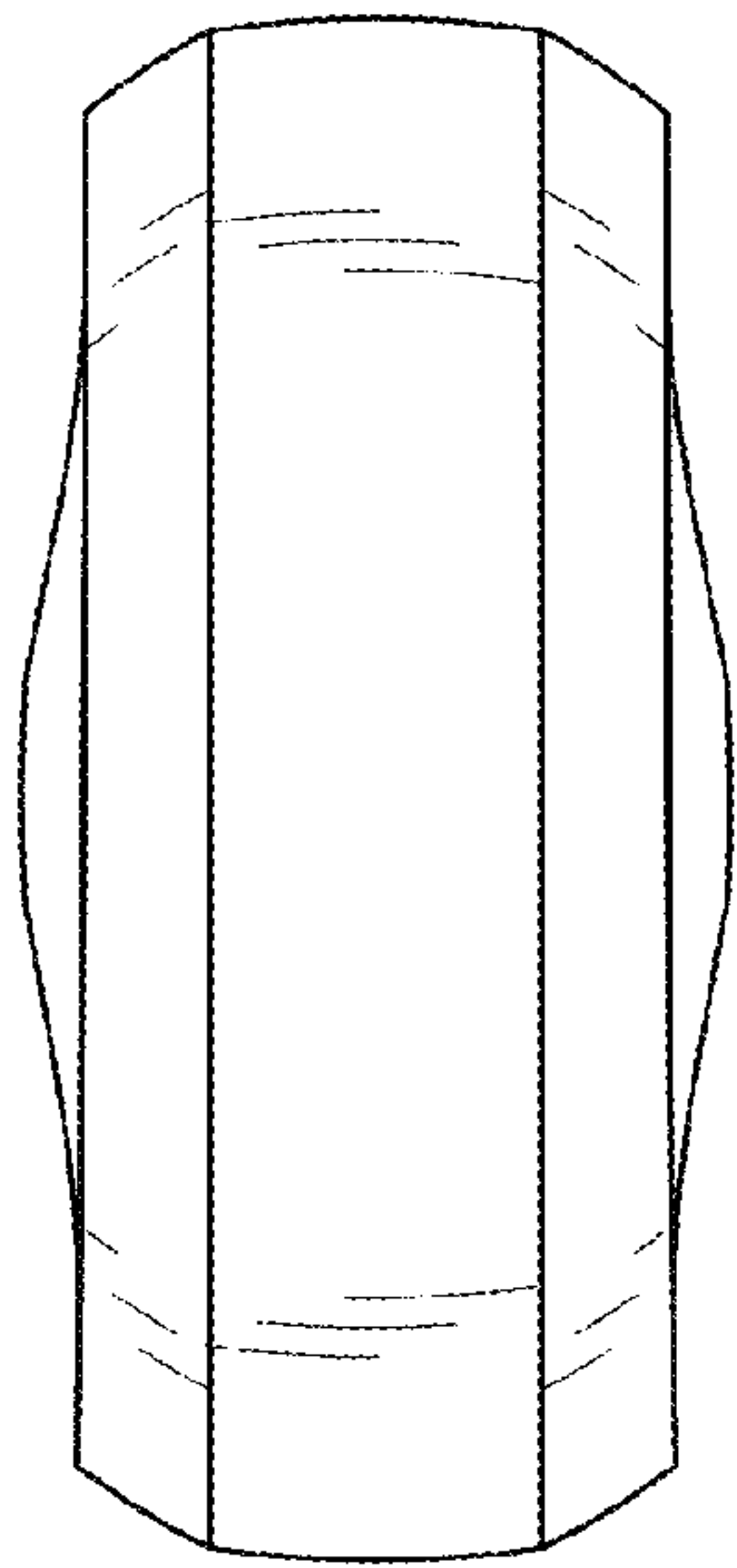


FIG. 4

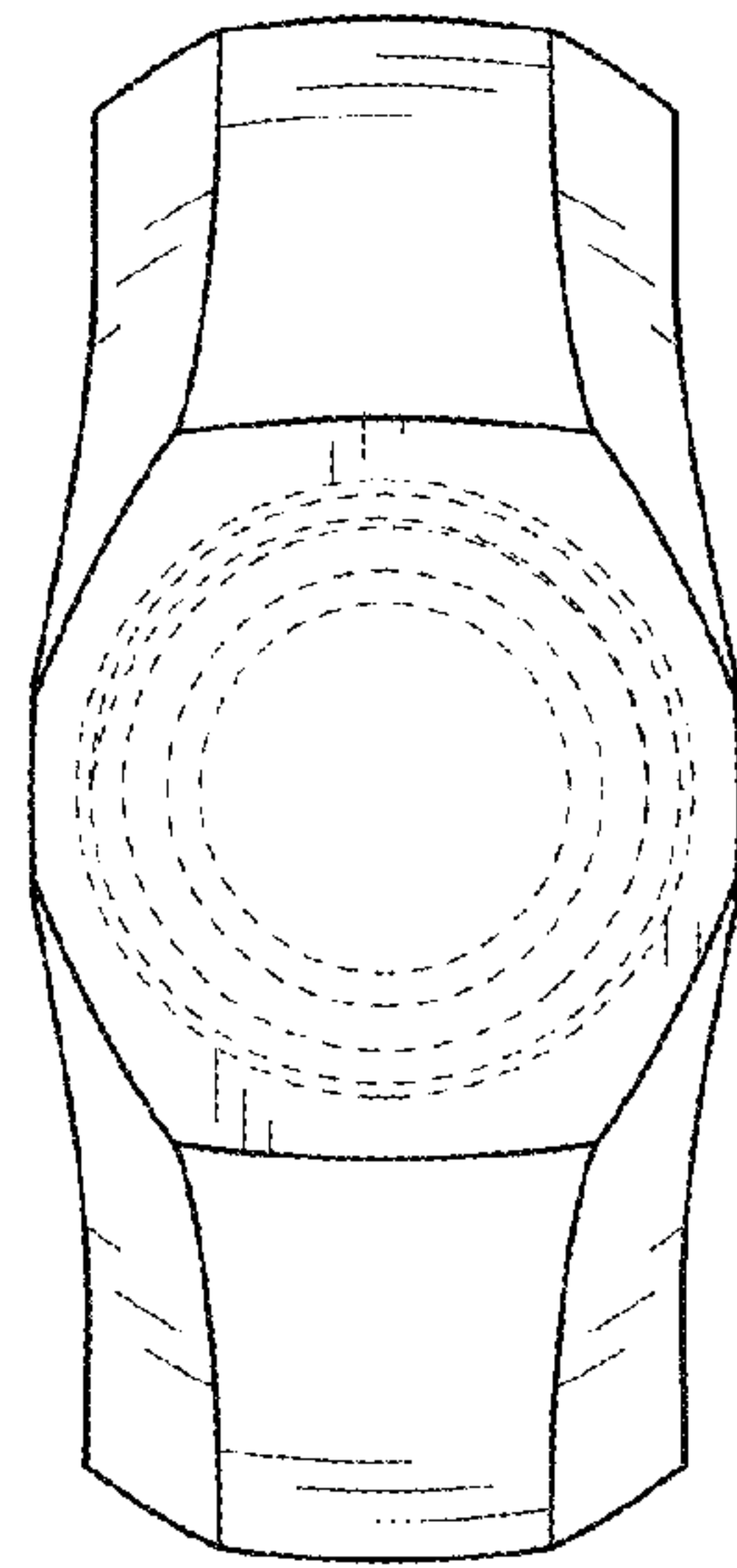


FIG. 5

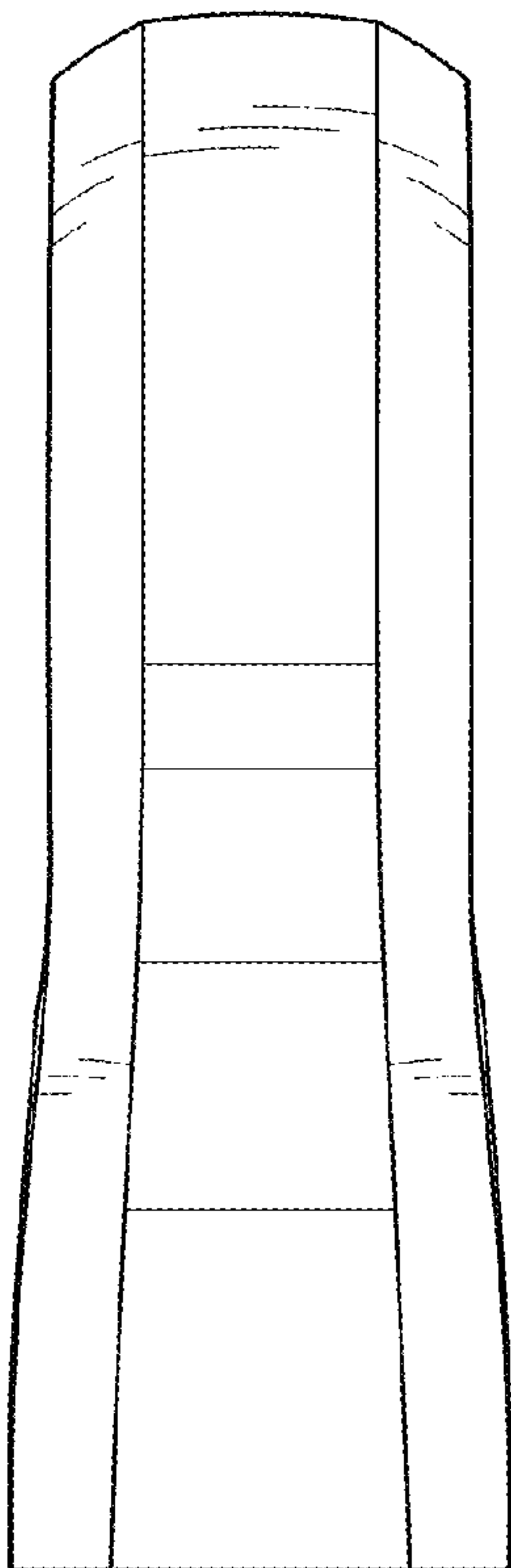


FIG. 6

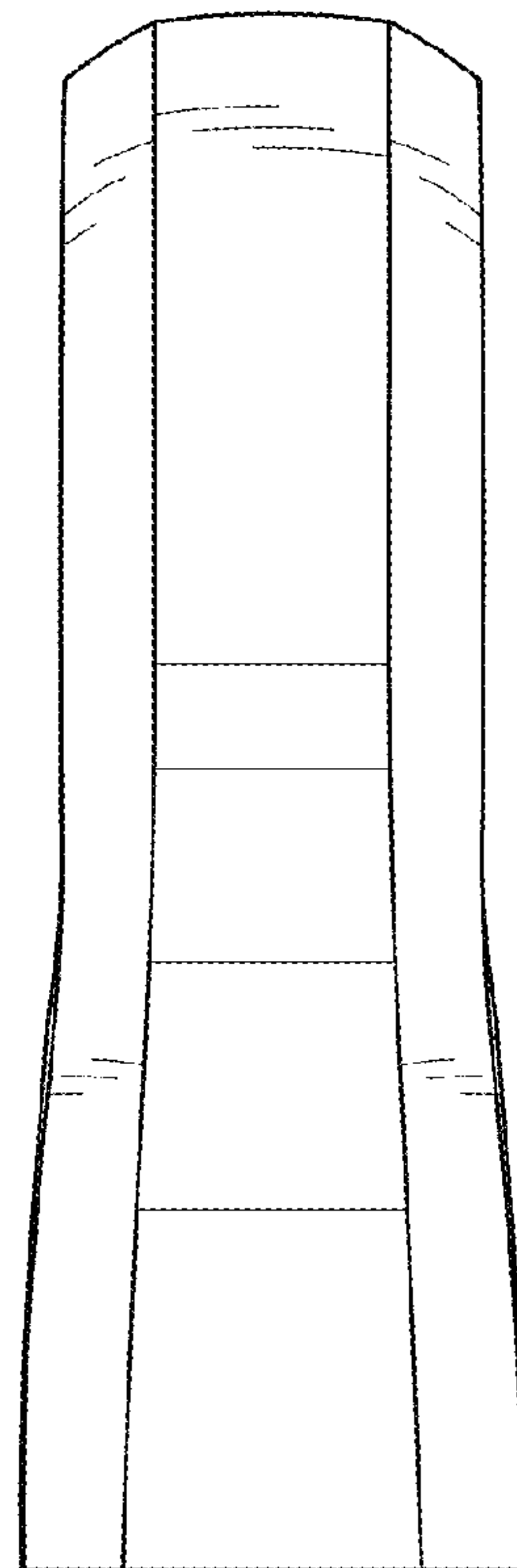


FIG. 7