

US00D732463S

(12) **United States Design Patent**  
**Petr et al.**

(10) **Patent No.:** **US D732,463 S**  
(45) **Date of Patent:** **\*\* Jun. 23, 2015**

(54) **TIRE TREAD**

(71) Applicants: **Matthew J. Petr**, Findlay, OH (US);  
**Calvin M. Wu**, Findlay, OH (US)

(72) Inventors: **Matthew J. Petr**, Findlay, OH (US);  
**Calvin M. Wu**, Findlay, OH (US)

(73) Assignee: **COOPER TIRE & RUBBER**  
**COMPANY**, Findlay, OH (US)

(\*\*) Term: **14 Years**

(21) Appl. No.: **29/469,221**

(22) Filed: **Oct. 8, 2013**

(51) **LOC (10) Cl.** ..... **12-15**

(52) **U.S. Cl.**  
USPC ..... **D12/579**

(58) **Field of Classification Search**  
USPC ..... D12/568-603; 152/209.1-209.9  
CPC ..... B60C 1/00; B60C 11/00; B60C 11/03  
See application file for complete search history.

(56) **References Cited**

U.S. PATENT DOCUMENTS

D578,956 S *	10/2008	Dixon et al. ....	D12/579
D580,347 S *	11/2008	Lo .....	D12/579
D638,352 S *	5/2011	Osaka .....	D12/579
D653,195 S *	1/2012	Sareen .....	D12/579
D654,012 S *	2/2012	Lo .....	D12/579
D720,284 S *	12/2014	Lo .....	D12/579

\* cited by examiner

*Primary Examiner* — George D Kirschbaum

*Assistant Examiner* — Natasha Vujcic

(74) *Attorney, Agent, or Firm* — Fay Sharpe LLP

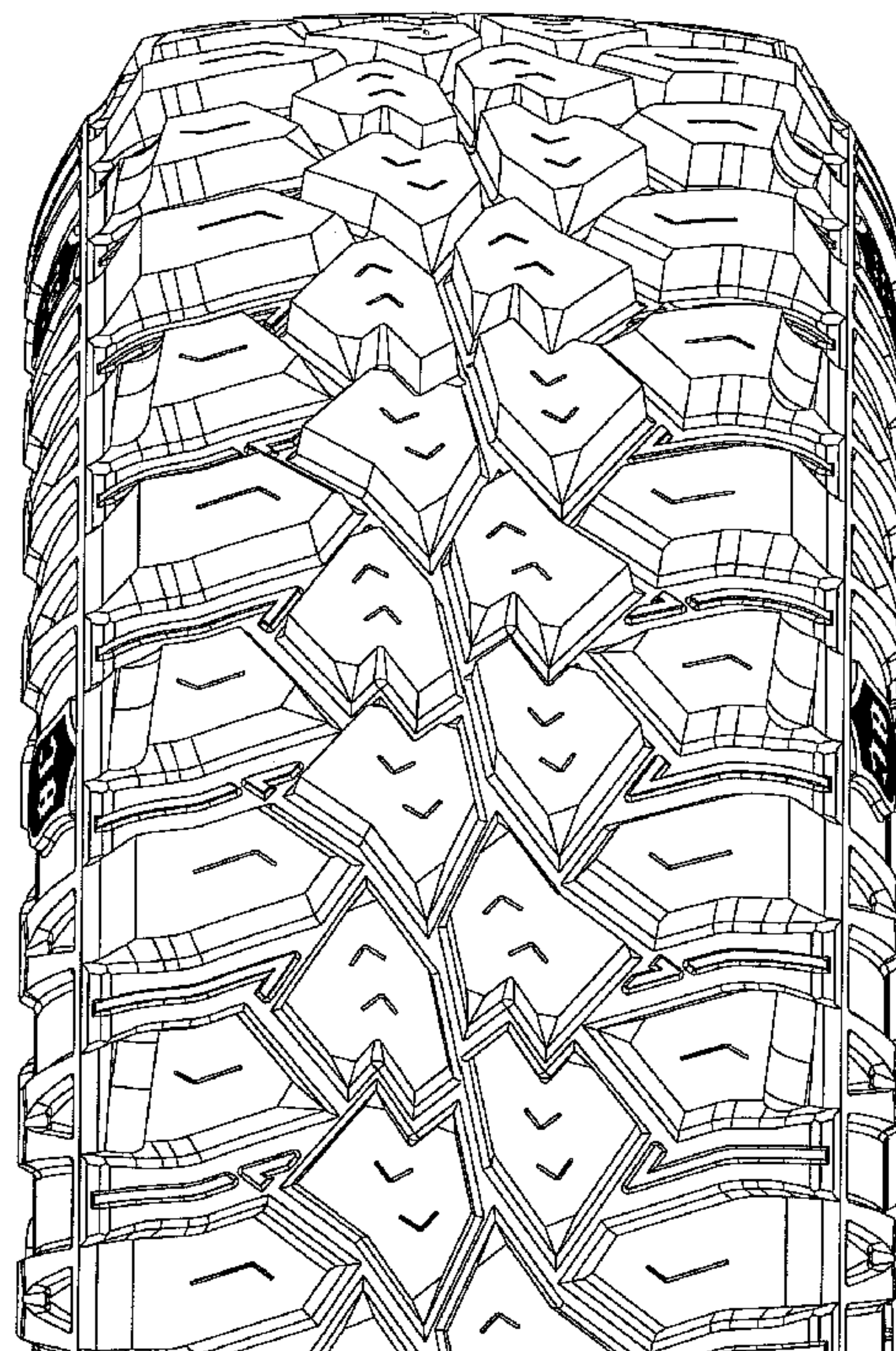
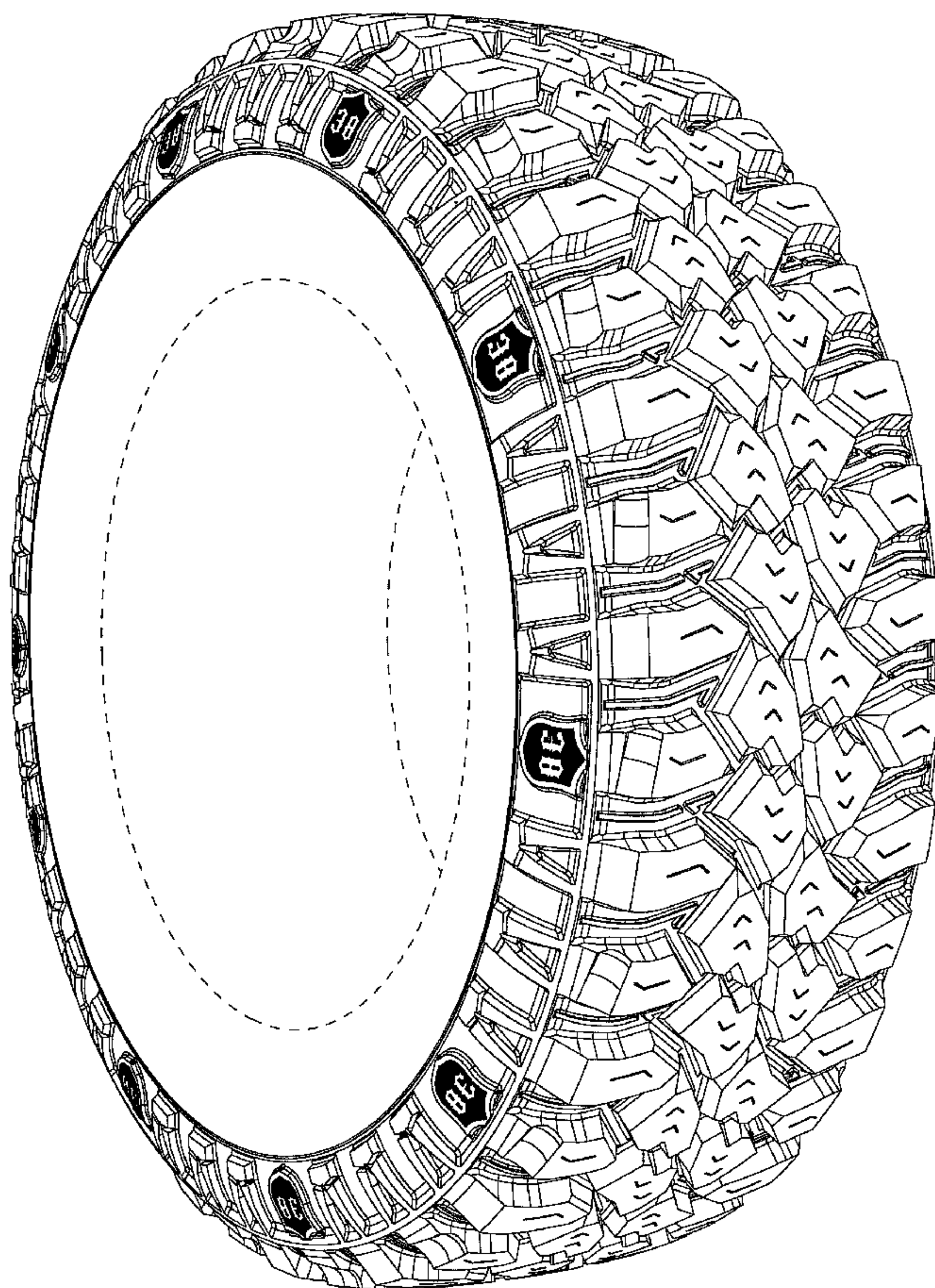
(57) **CLAIM**

The ornamental design for a tire tread, as shown and described.

**DESCRIPTION**

FIG. 1 is a perspective view of a full tire including the tire tread of the present application;  
FIG. 2 is an enlarged partial side view thereof;  
FIG. 3 is a front view thereof; and,  
FIG. 4 is an enlarged partial front view thereof.  
In the drawings, the broken lines defining the sidewall and the inner bead depict environmental subject matter that forms no part of the claimed design.

**1 Claim, 4 Drawing Sheets**





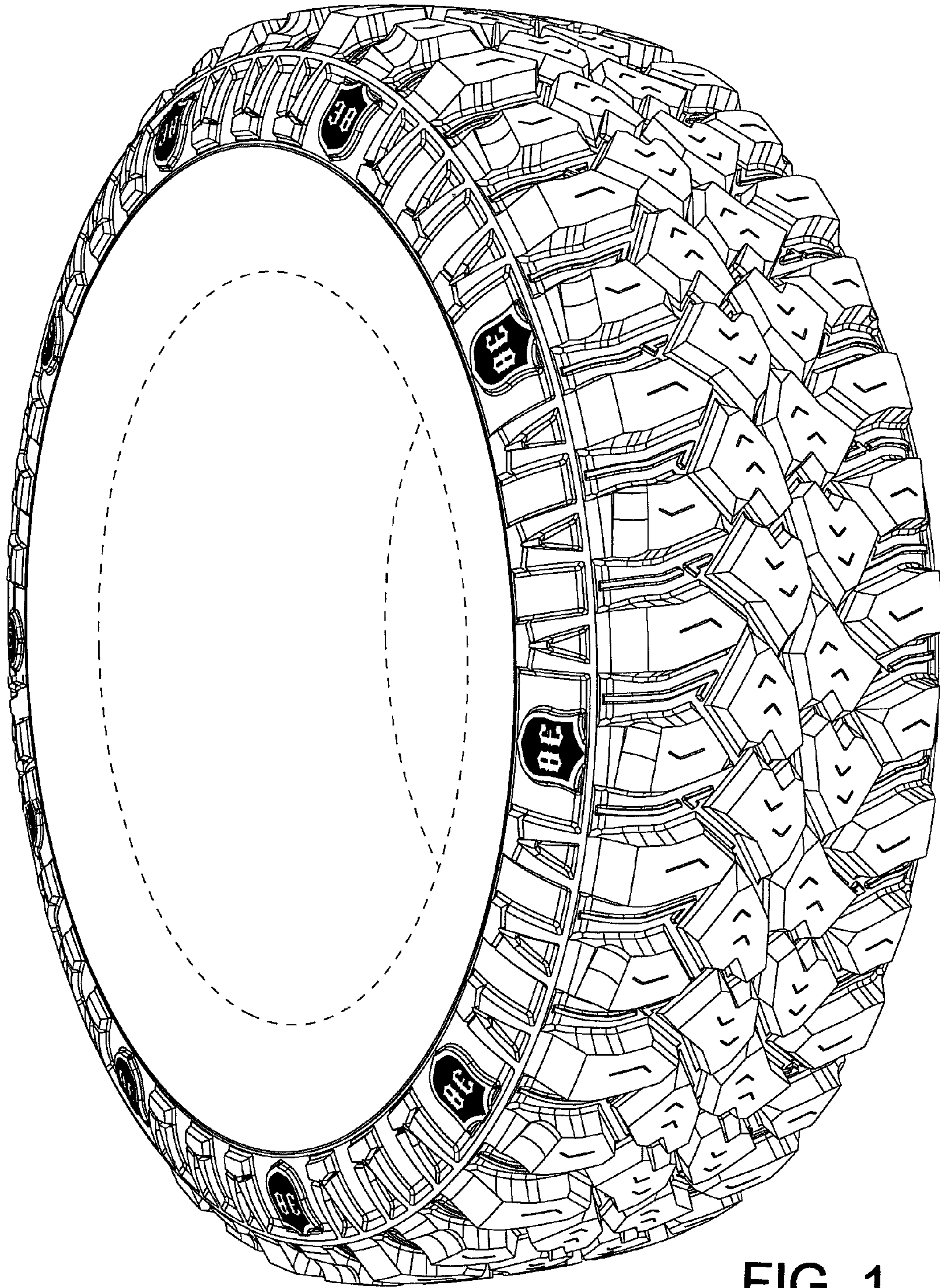


FIG. 1

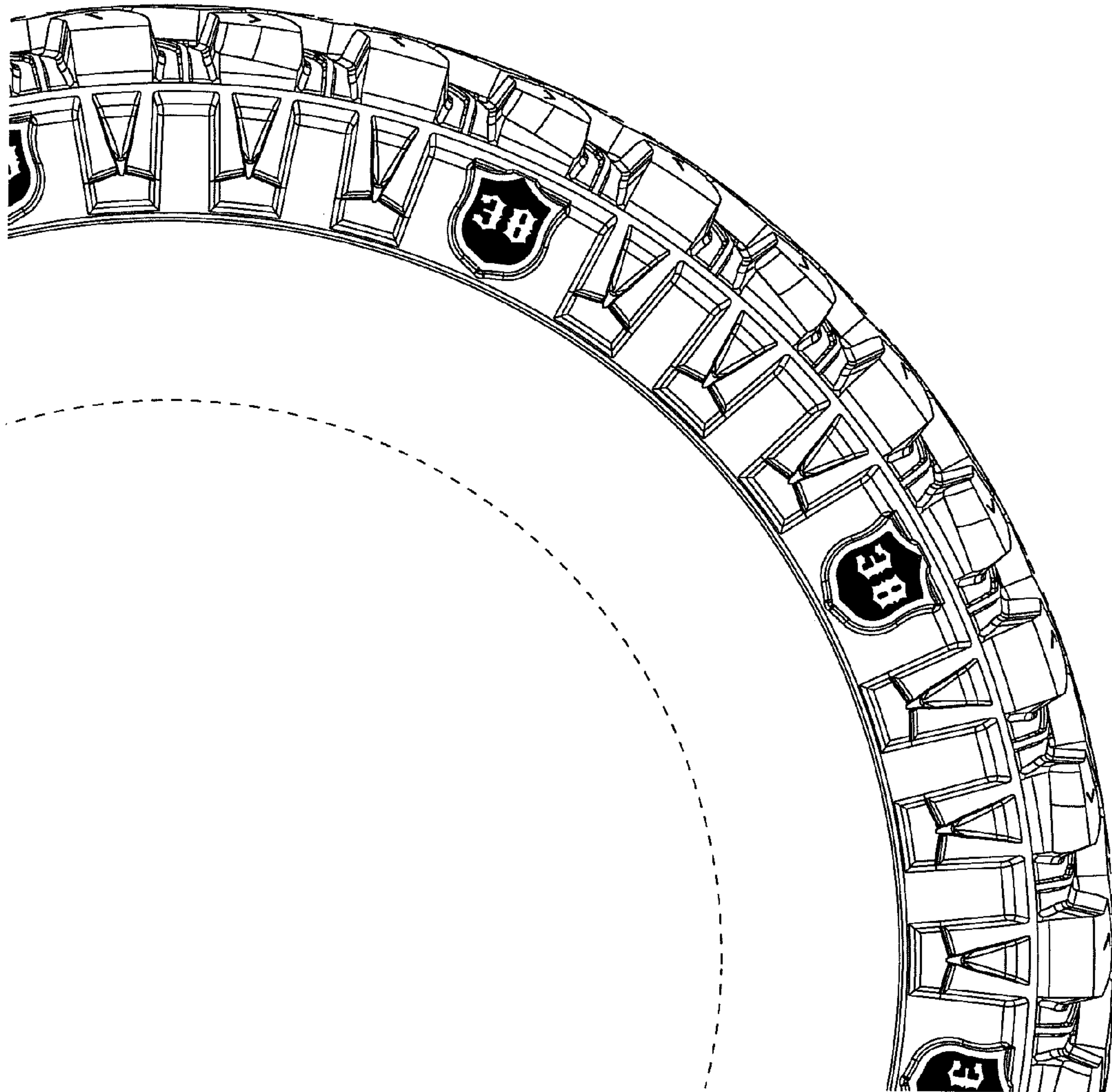


FIG. 2



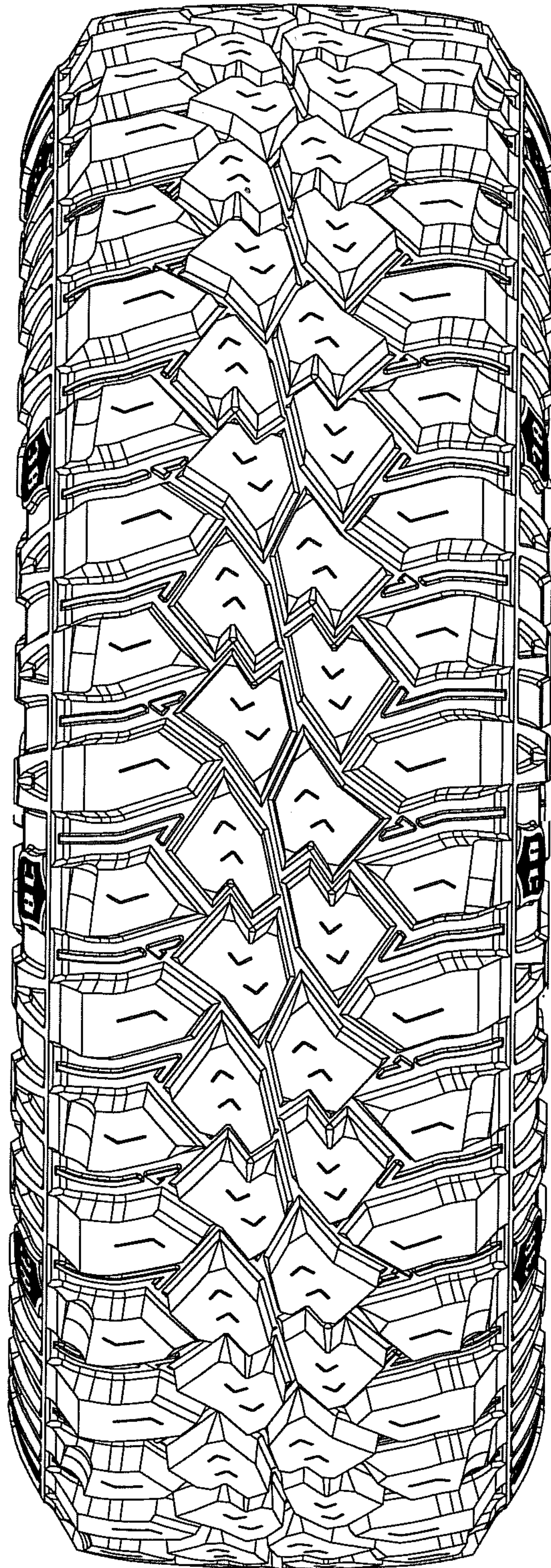


FIG. 3



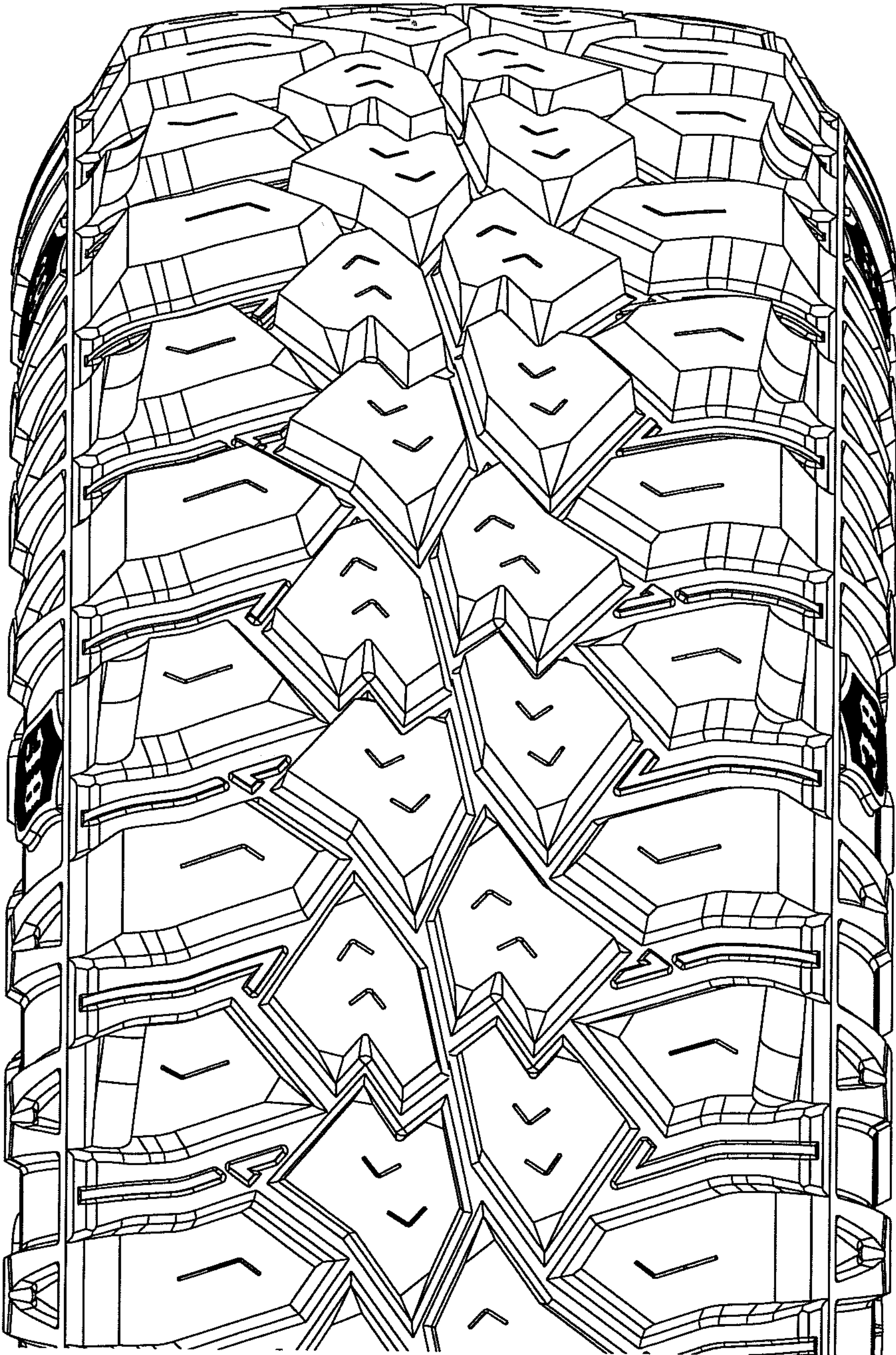


FIG. 4