



US00D732461S

(12) **United States Design Patent**
Bindner et al.

(10) **Patent No.:** **US D732,461 S**
(45) **Date of Patent:** **** Jun. 23, 2015**

(54) **TIRE**
(71) Applicant: **The Goodyear Tire & Rubber Company, Akron, OH (US)**
(72) Inventors: **Olivier Francis Bindner, Yutz (FR); Julien Dominique Gilbert Majerus, Bastogne (BE); Sebastien Willy Fontaine, Vichten (LU); Armand Rene Gabriel Leconte, Gralingen (LU)**

(73) Assignee: **The Goodyear Tire & Rubber Company, Akron, OH (US)**

(**) Term: **14 Years**

(21) Appl. No.: **29/451,911**

(22) Filed: **Apr. 10, 2013**

(51) **LOC (10) Cl.** **12-15**

(52) **U.S. Cl.**
USPC **D12/519**

(58) **Field of Classification Search**
USPC D12/505–532
CPC B60C 11/0304; B60C 11/0302; B60C 11/0306; B60C 11/0309; B60C 11/0318; B60C 11/0311; B60C 11/042; B60C 11/13; B60C 11/00; B60C 11/11; B60C 11/12
See application file for complete search history.

(56) **References Cited**

U.S. PATENT DOCUMENTS

D418,785 S	1/2000	Lovell et al.	D12/147
D432,956 S	10/2000	Ricquet	D12/141
D451,453 S	12/2001	Maxwell et al.	D12/147
D453,919 S	2/2002	Mast et al.	D12/528
D469,396 S	1/2003	Hutson et al.	D12/520
D470,443 S	2/2003	Slingluff et al.	D12/147
D490,047 S	5/2004	Heinen et al.	D12/524
D512,013 S	11/2005	Delu et al.	D12/521
D522,442 S	6/2006	Shirouzu	D12/515
D524,231 S	7/2006	Marazzi et al.	D12/521
D524,233 S	7/2006	Marazzi et al.	D12/521

D525,186 S	7/2006	Martin	D12/521
D546,272 S	7/2007	Shinohara et al.	D12/521
D551,156 S	9/2007	Shinohara et al.	D12/521
D559,767 S	1/2008	Graas et al.	D12/521
D560,595 S	1/2008	Bindner et al.	D12/521
D560,600 S	1/2008	Dixon et al.	D12/588
D586,724 S	2/2009	Seibert et al.	D12/519
D593,931 S	6/2009	Fontaine et al.	D12/521
D597,474 S	8/2009	Yamakawa et al.	D12/519
D601,939 S	10/2009	Fontaine et al.	D12/519
D606,002 S	12/2009	Yamakawa et al.	D12/519
D609,161 S	2/2010	Fontaine et al.	D12/517
D612,321 S	* 3/2010	Bott et al.	D12/519
D626,910 S	* 11/2010	Bott et al.	D12/519

(Continued)

Primary Examiner — Stacia Cadmus

(74) Attorney, Agent, or Firm — Richard B. O’Planick

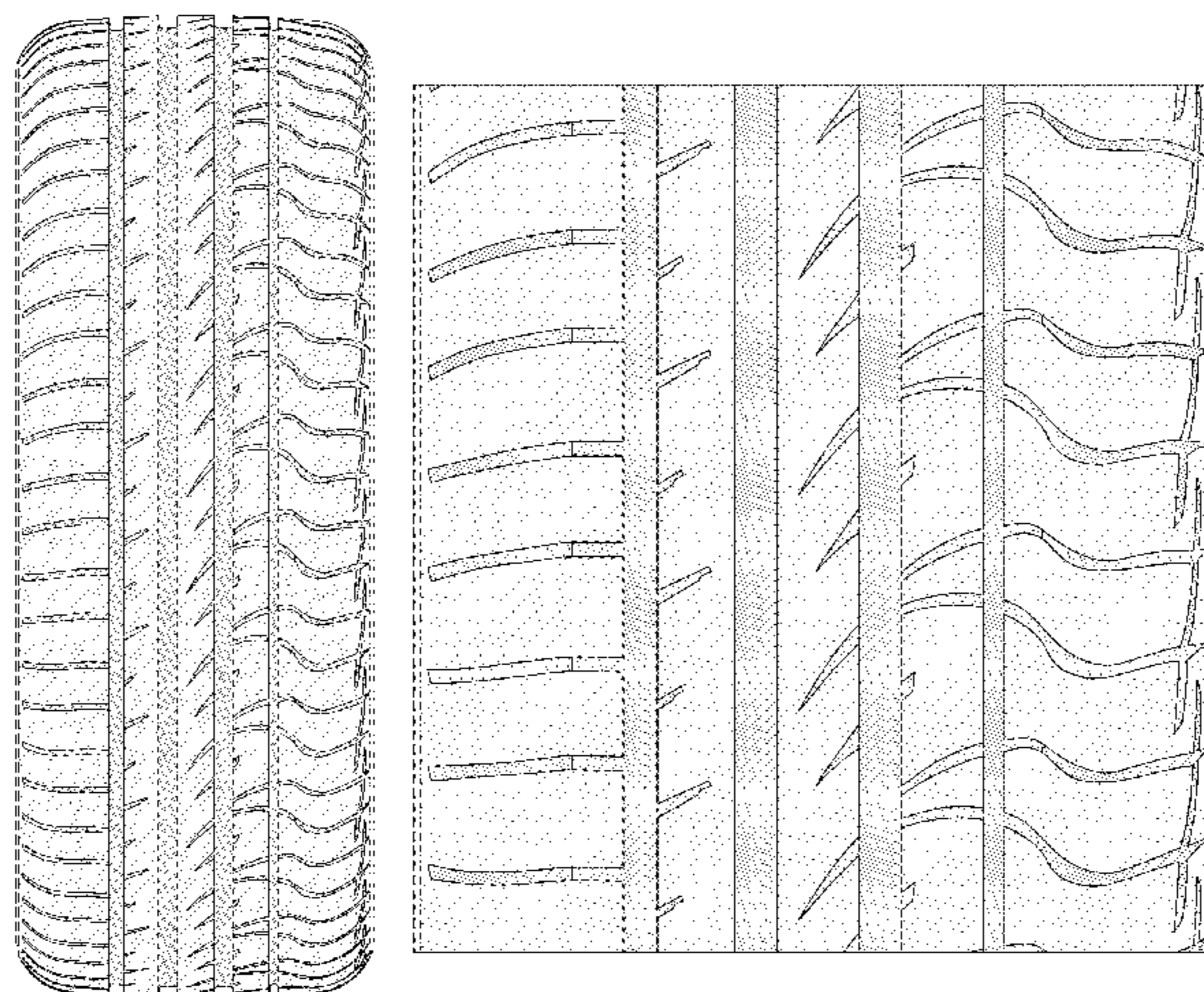
(57) **CLAIM**

The ornamental design for a tire, as shown and described.

DESCRIPTION

FIG. 1 is a perspective view of a tire showing our new design, it being understood that the pattern repeats uniformly throughout the circumference of the tread;
 FIG. 2 is a front elevational view thereof;
 FIG. 3 is a right side elevational view thereof;
 FIG. 4 is a left side elevational view thereof;
 FIG. 5 is an enlarged fragmentary front elevational view thereof;
 FIG. 6 is a perspective view of a second embodiment of a tire showing our new design, it being understood that the pattern repeats uniformly throughout the circumference of the tread; and,
 FIG. 7 is a front elevational view of a second embodiment, it being understood that an enlarged fragmentary view thereof would be substantially identical to that shown in FIG. 5, with the exception of the inclusion of the sidewall in solid lines.
 In the drawings, the broken lines showing of the sidewall, inner bead and the peripheral boundary between the tire tread and the sidewall in FIGS. 1 through 5 depict environmental subject matter and form no part of the claimed design.

1 Claim, 7 Drawing Sheets



(56)

References Cited

U.S. PATENT DOCUMENTS

D634,699 S	3/2011	Fontaine et al.	D12/517	D644,593 S	9/2011	Fontaine et al.	D12/523
D638,348 S	5/2011	Harvey et al.	D12/521	D659,075 S	5/2012	Harvey et al.	D12/521
D639,719 S	6/2011	Harvey et al.	D12/521	D659,633 S	5/2012	Bindner et al.	D12/521
D639,720 S	6/2011	Harvey et al.	D12/521	D662,451 S	6/2012	Schmalix et al.	D12/521
D644,592 S	9/2011	Grabo et al.	D12/519	D668,598 S	10/2012	Hughes et al.	D12/521
				D700,878 S *	3/2014	Takemoto	D12/523
				D701,822 S *	4/2014	Bindner et al.	D12/523
				D716,217 S *	10/2014	Rittweger	D12/523

* cited by examiner

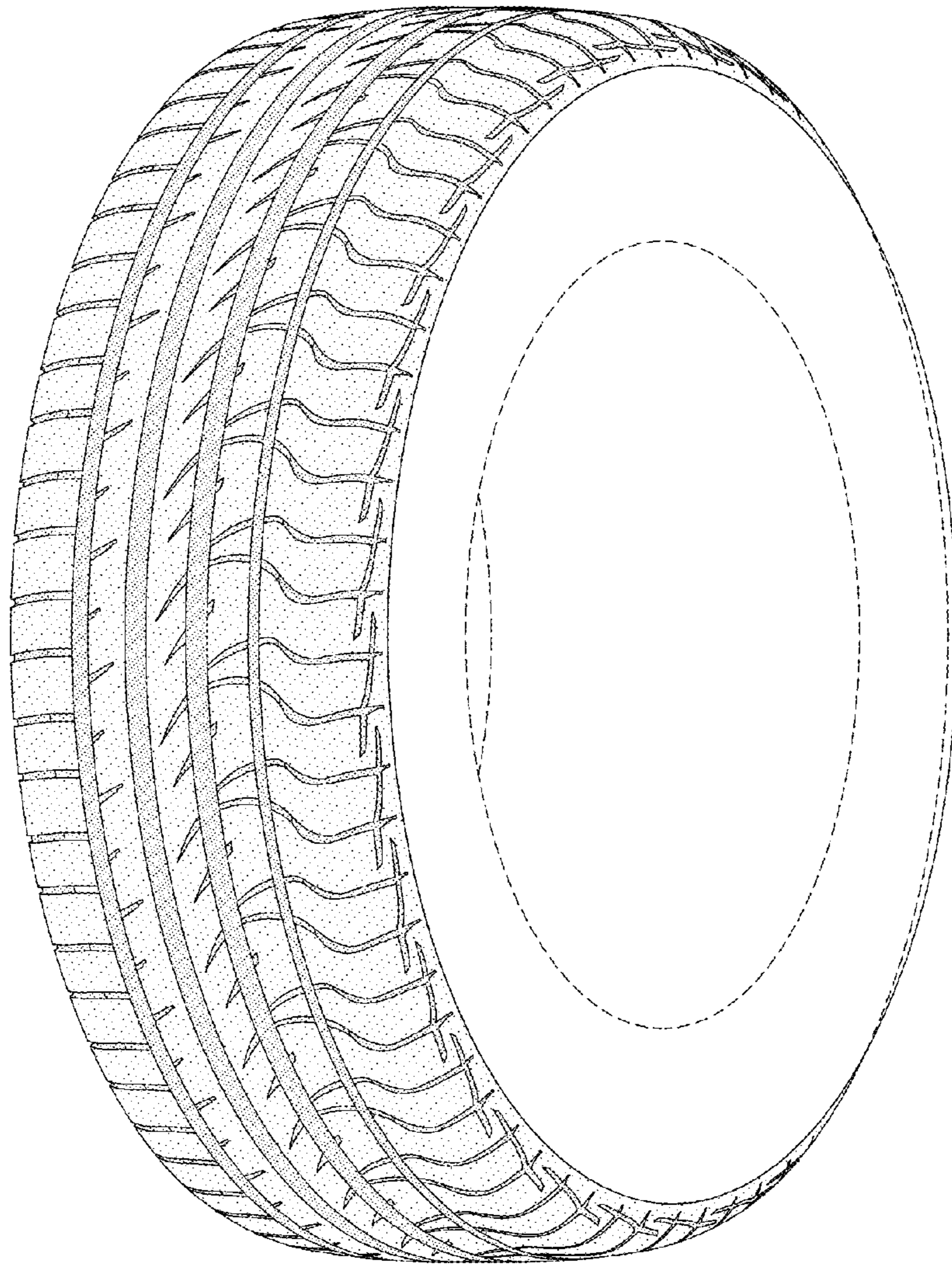


FIG-1

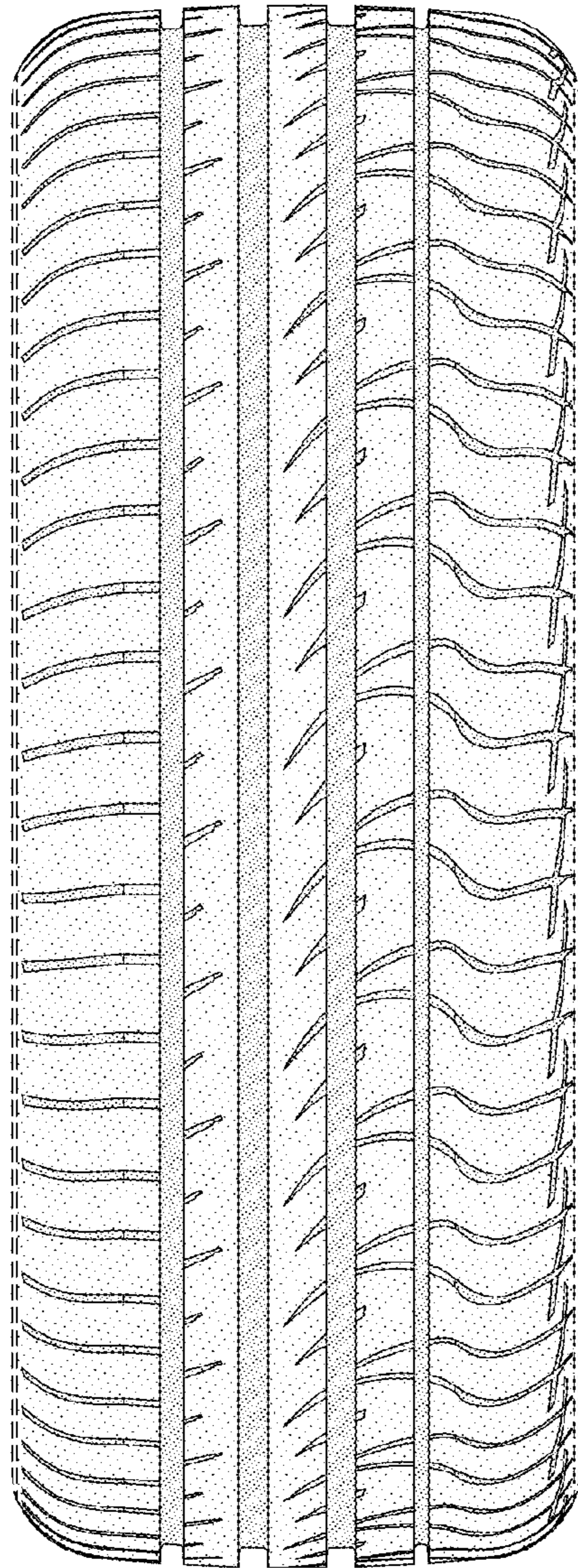


FIG-2

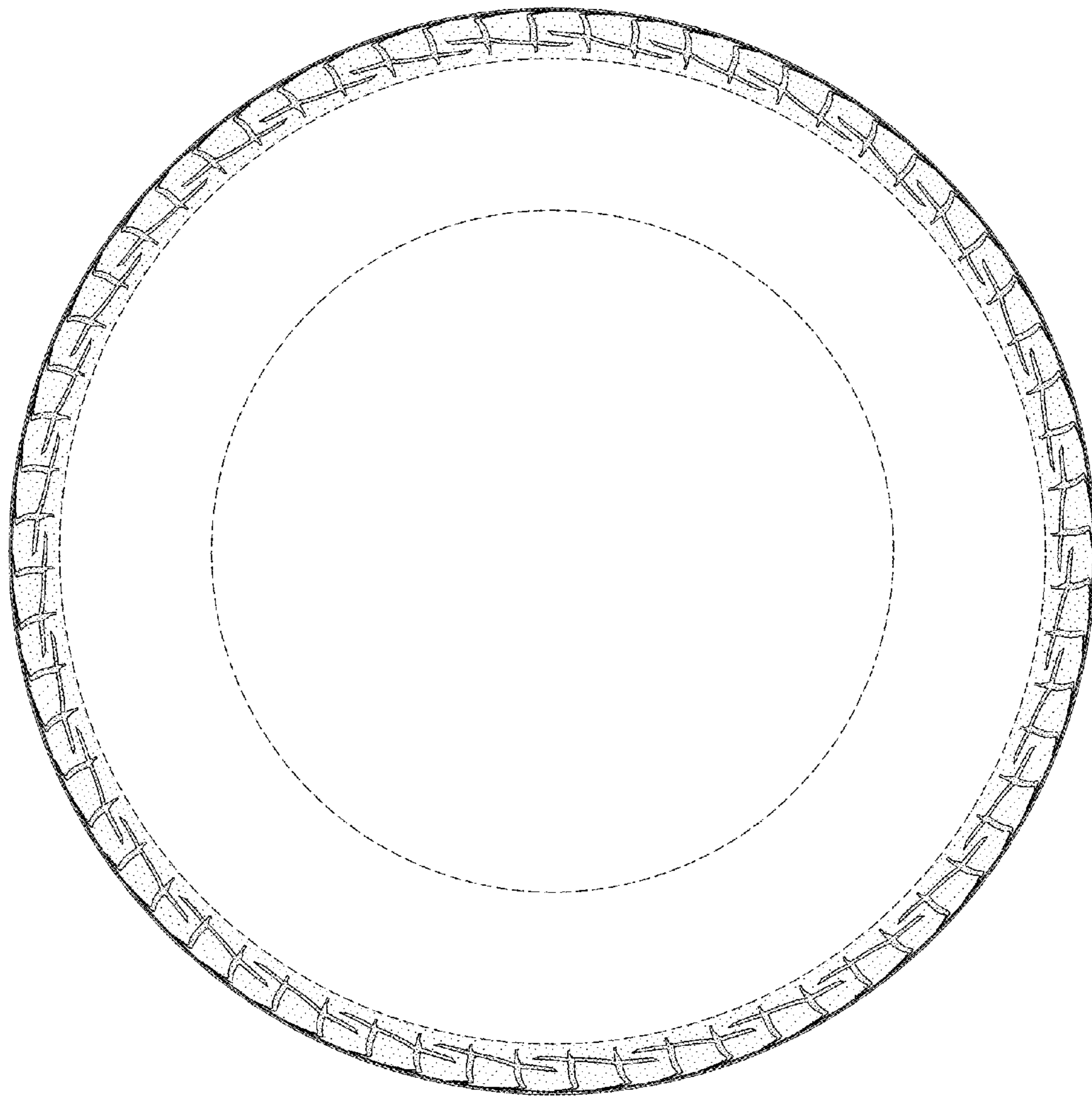


FIG-3

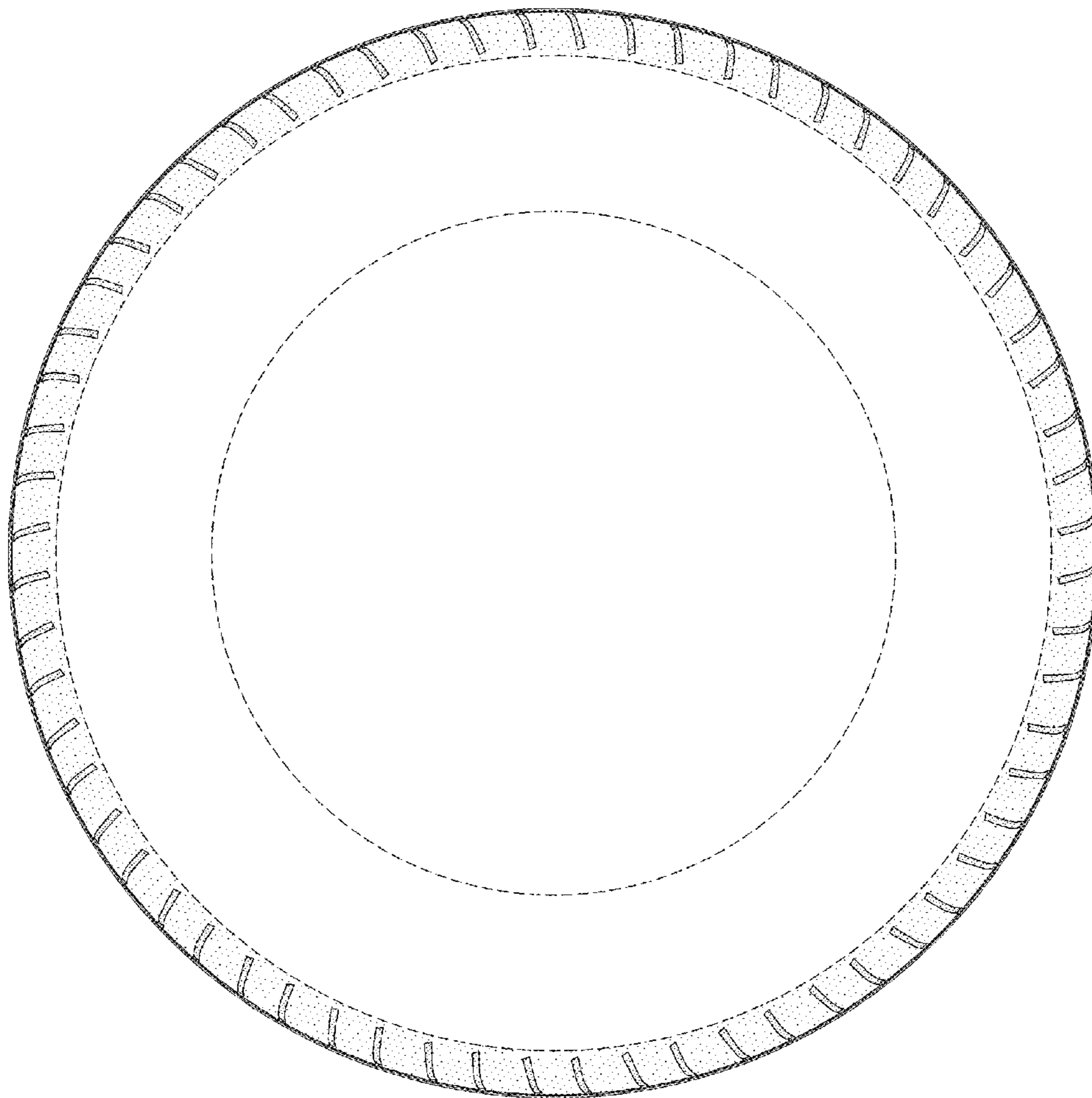


FIG-4

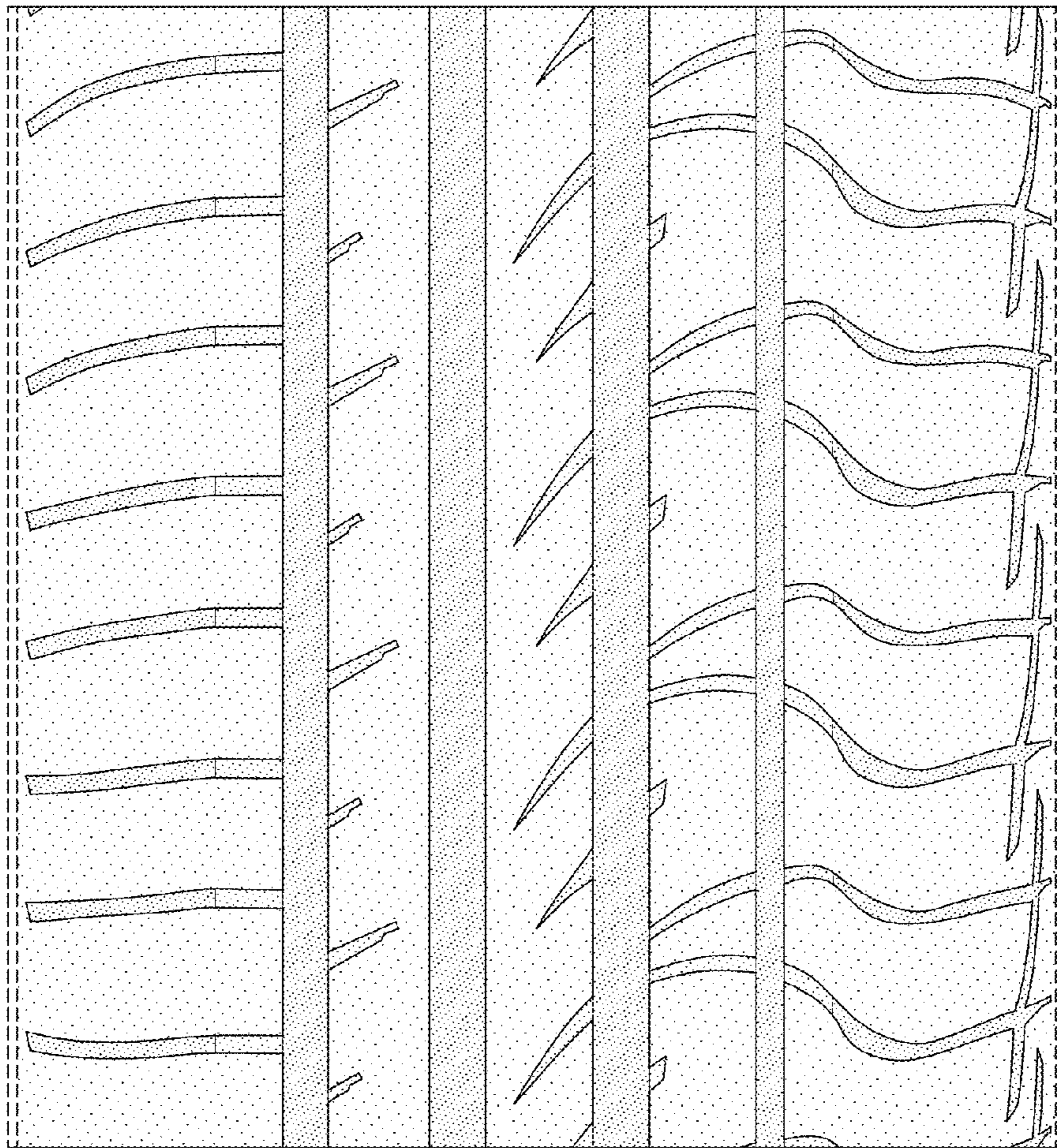


FIG-5

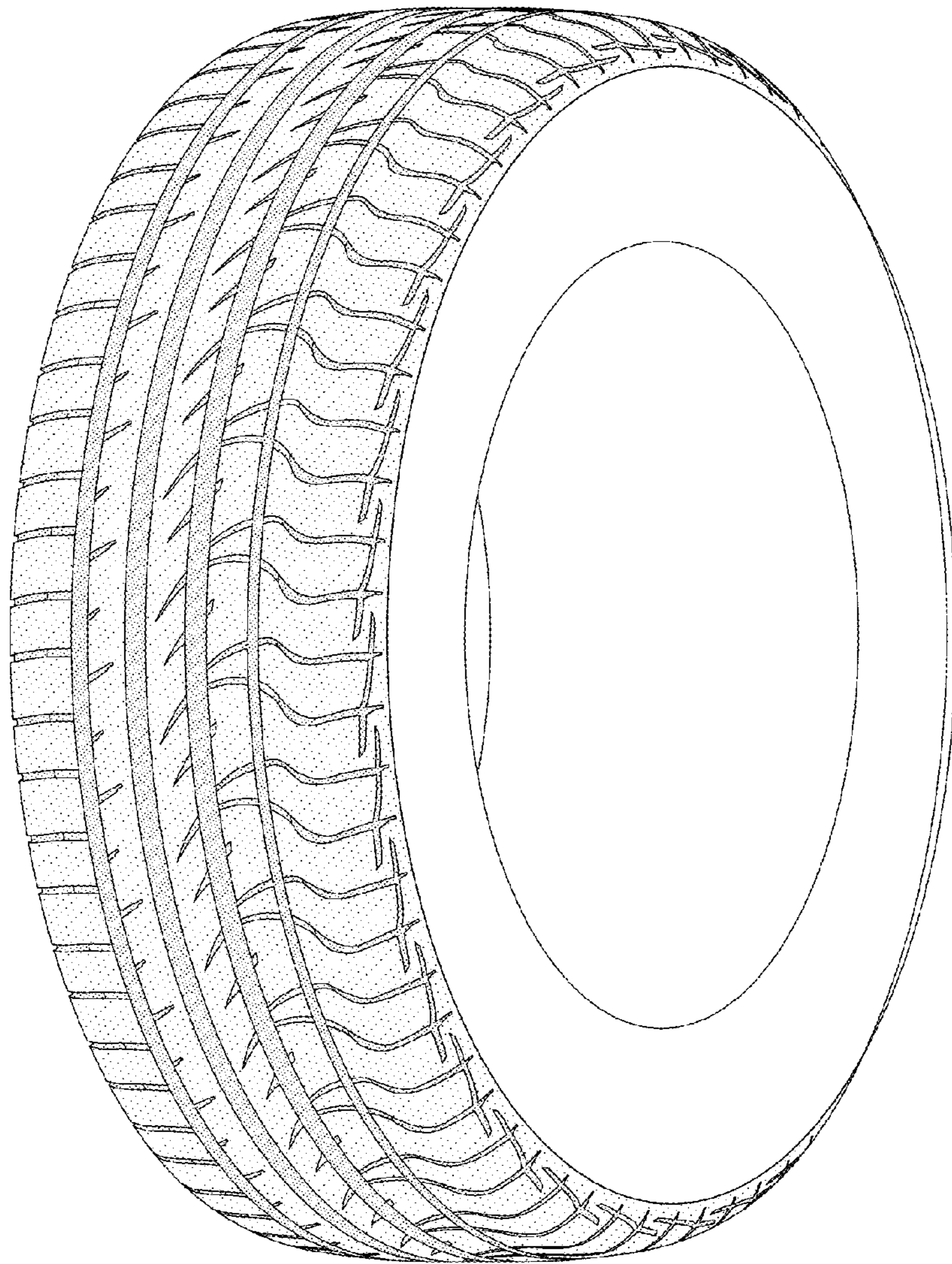


FIG-6

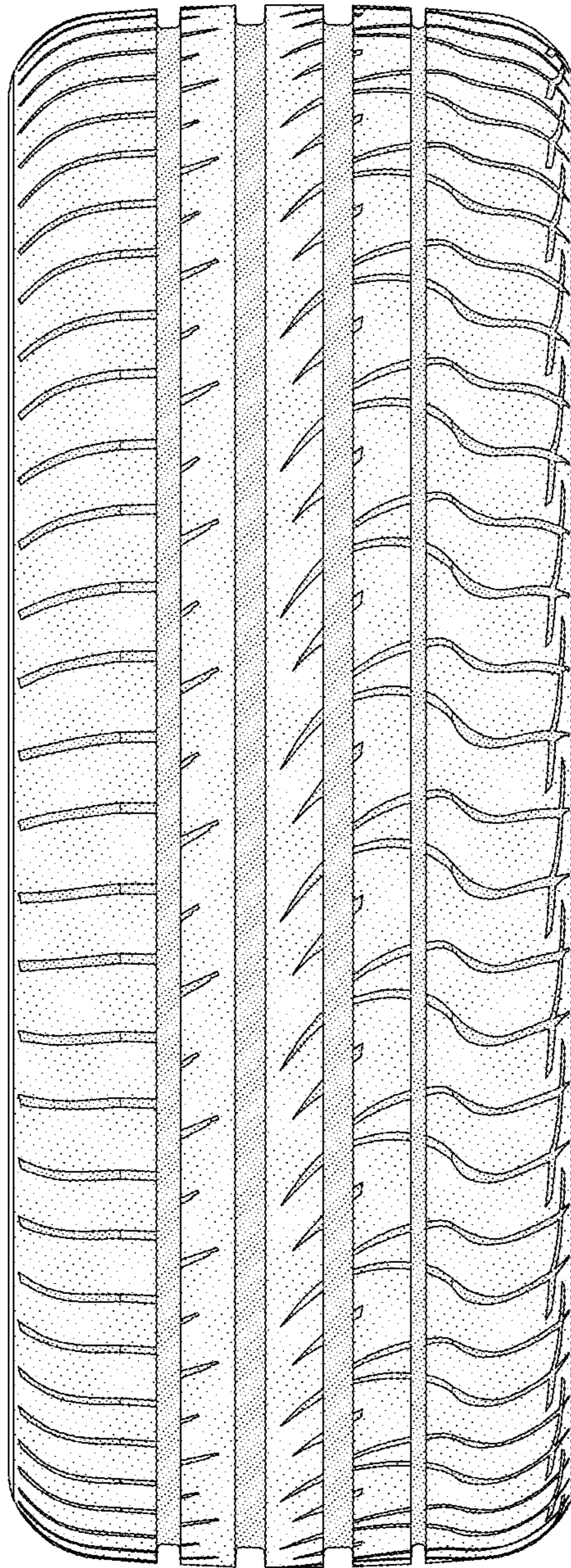


FIG-7