



US00D732460S

(12) **United States Design Patent**
Seneker et al.

(10) **Patent No.:** **US D732,460 S**
(45) **Date of Patent:** **** Jun. 23, 2015**

(54) **COLLAPSIBLE SHELTER**
(71) Applicant: **Tilden LLC**, Bloomfield Hills, MI (US)
(72) Inventors: **Stephen A. Seneker**, Bloomfield Hills, MI (US); **Robert A. Bluthardt**, Bloomfield Hills, MI (US)
(73) Assignee: **Tilden LLC**, Bloomfield Hills, MI (US)
(**) Term: **14 Years**

(21) Appl. No.: **29/500,725**
(22) Filed: **Aug. 27, 2014**
(51) **LOC (10) Cl.** **12-16**
(52) **U.S. Cl.**
USPC **D12/403**
(58) **Field of Classification Search**
USPC D12/401-405; 160/370.12, 370.22, 160/370.23; 280/770; 150/158, 165-167; 296/100.11-100.18, 136.01, 136.05, 296/136.06, 136.07, 95.1, 77.1; 135/88.01, 135/95
See application file for complete search history.

(56) **References Cited**
U.S. PATENT DOCUMENTS
D215,393 S * 9/1969 Stith, Jr. D12/402
D262,790 S * 1/1982 Bernier D12/222

D310,503 S * 9/1990 Moore D12/403
D318,446 S * 7/1991 Magyar et al. D12/403
D352,690 S * 11/1994 Schorr D12/403
D382,248 S * 8/1997 Long D12/403
D397,669 S * 9/1998 Komick D12/403
D445,396 S * 7/2001 Wood D12/403
D516,497 S * 3/2006 Napieraj D12/403
D583,746 S * 12/2008 Napieraj D12/403
D583,747 S * 12/2008 Napieraj D12/403
D651,678 S * 1/2012 Muggleton D21/834

* cited by examiner

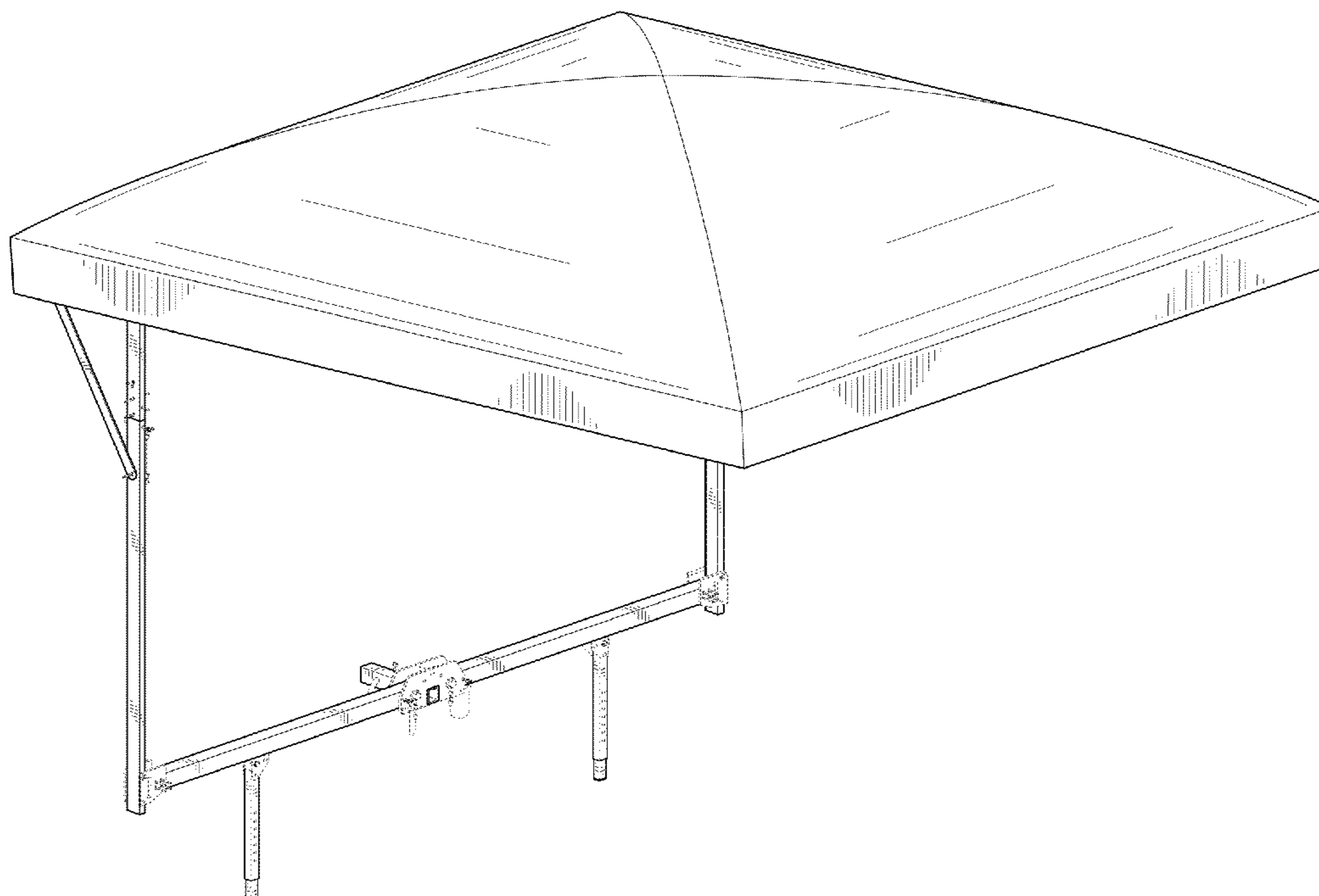
Primary Examiner — Katrina A Betton
(74) *Attorney, Agent, or Firm* — Honigman Miller Schwartz and Cohn LLP

(57) **CLAIM**
A design for a collapsible shelter, as shown and described.

DESCRIPTION

FIG. 1 is a perspective view of a collapsible shelter in a first position;
FIG. 2 is a front view of the collapsible shelter of FIG. 1;
FIG. 3 is a back view of the collapsible shelter of FIG. 1;
FIG. 4 is a left view of the collapsible shelter of FIG. 1;
FIG. 5 is a right view of the collapsible shelter of FIG. 1;
FIG. 6 is a top view of the collapsible shelter of FIG. 1; and,
FIG. 7 is a bottom view of the collapsible shelter of FIG. 1.
In the drawings, the broken lines depict portions of the article that form no part of the claimed design.

1 Claim, 7 Drawing Sheets



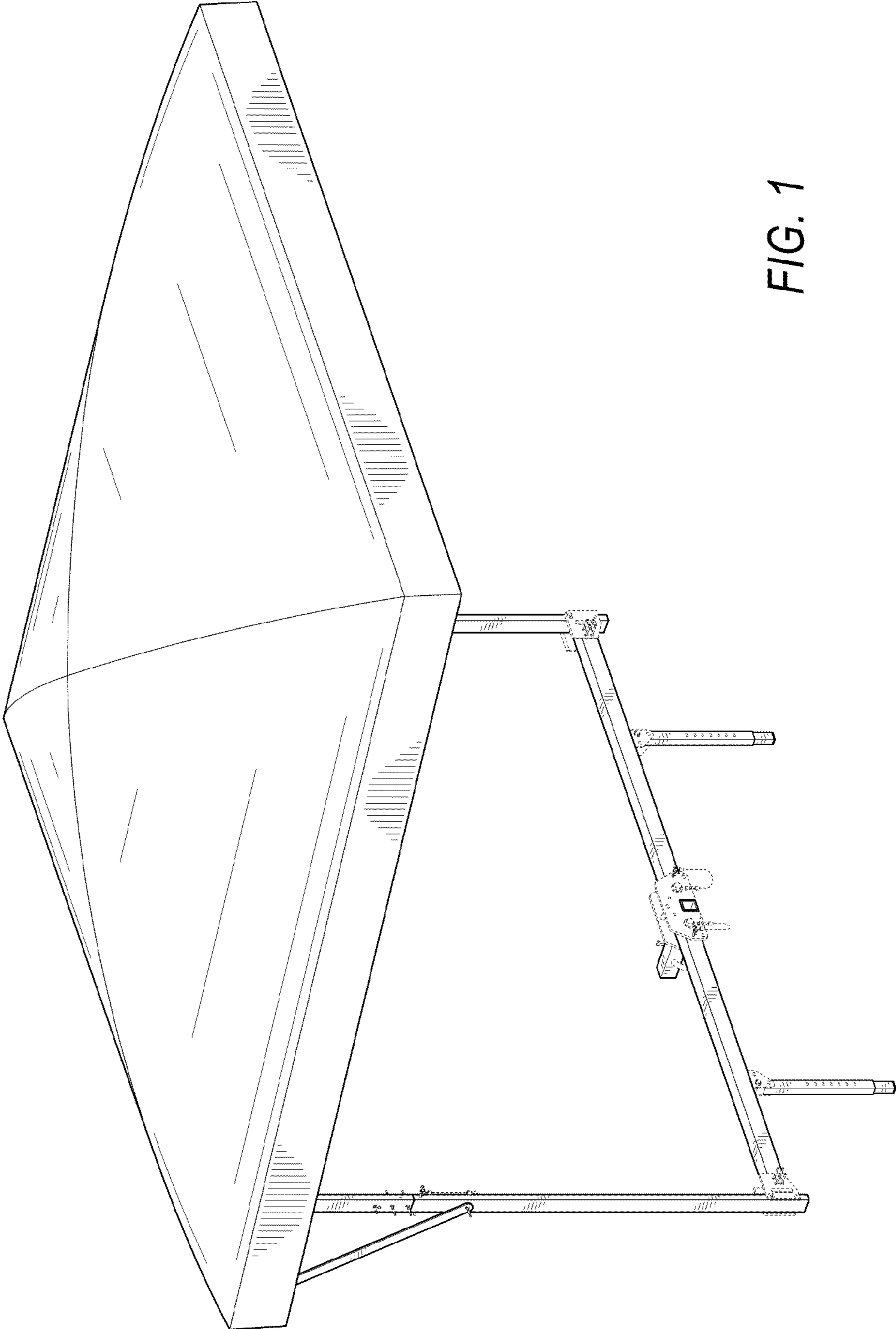


FIG. 1

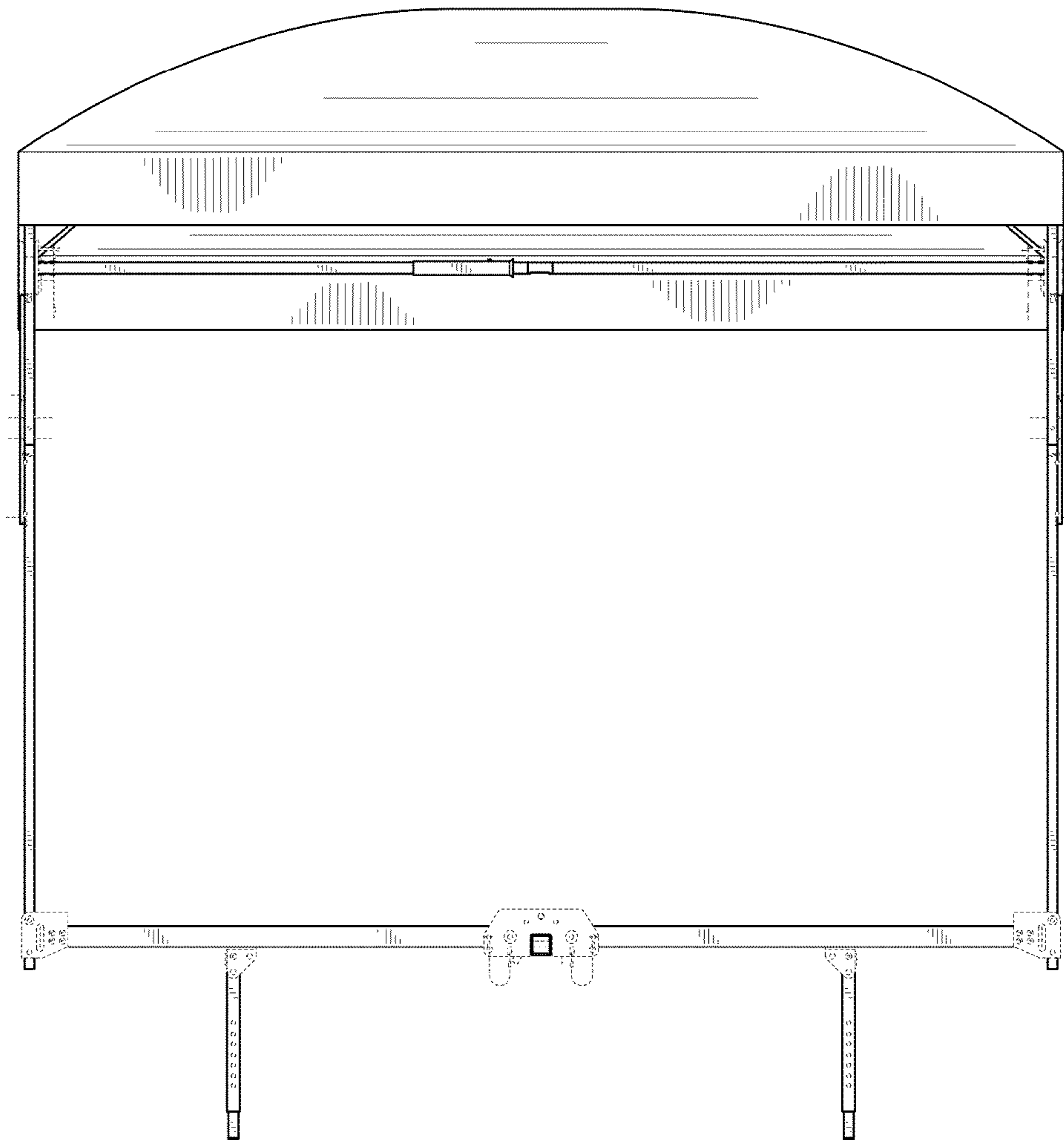


FIG. 2

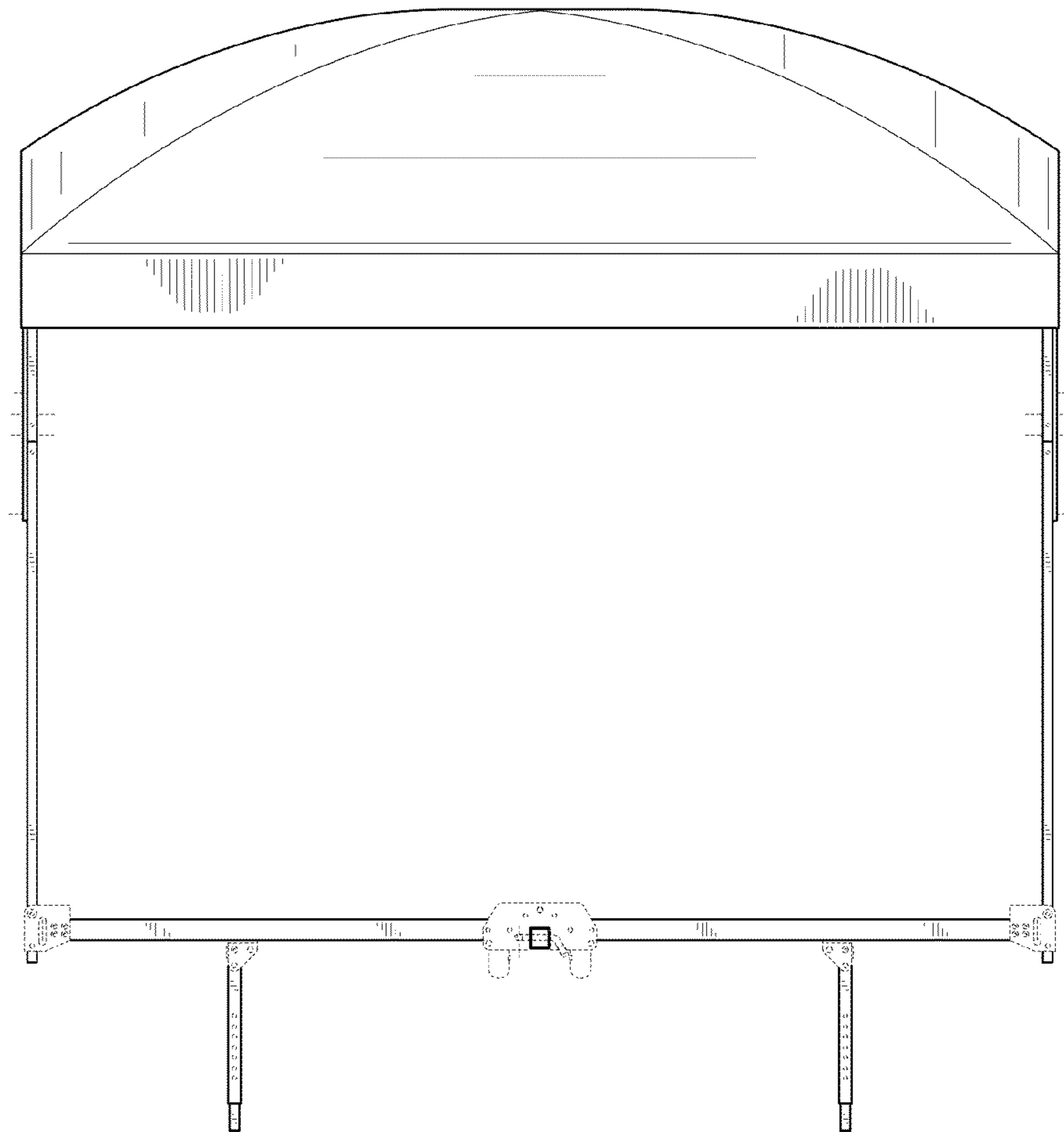


FIG. 3

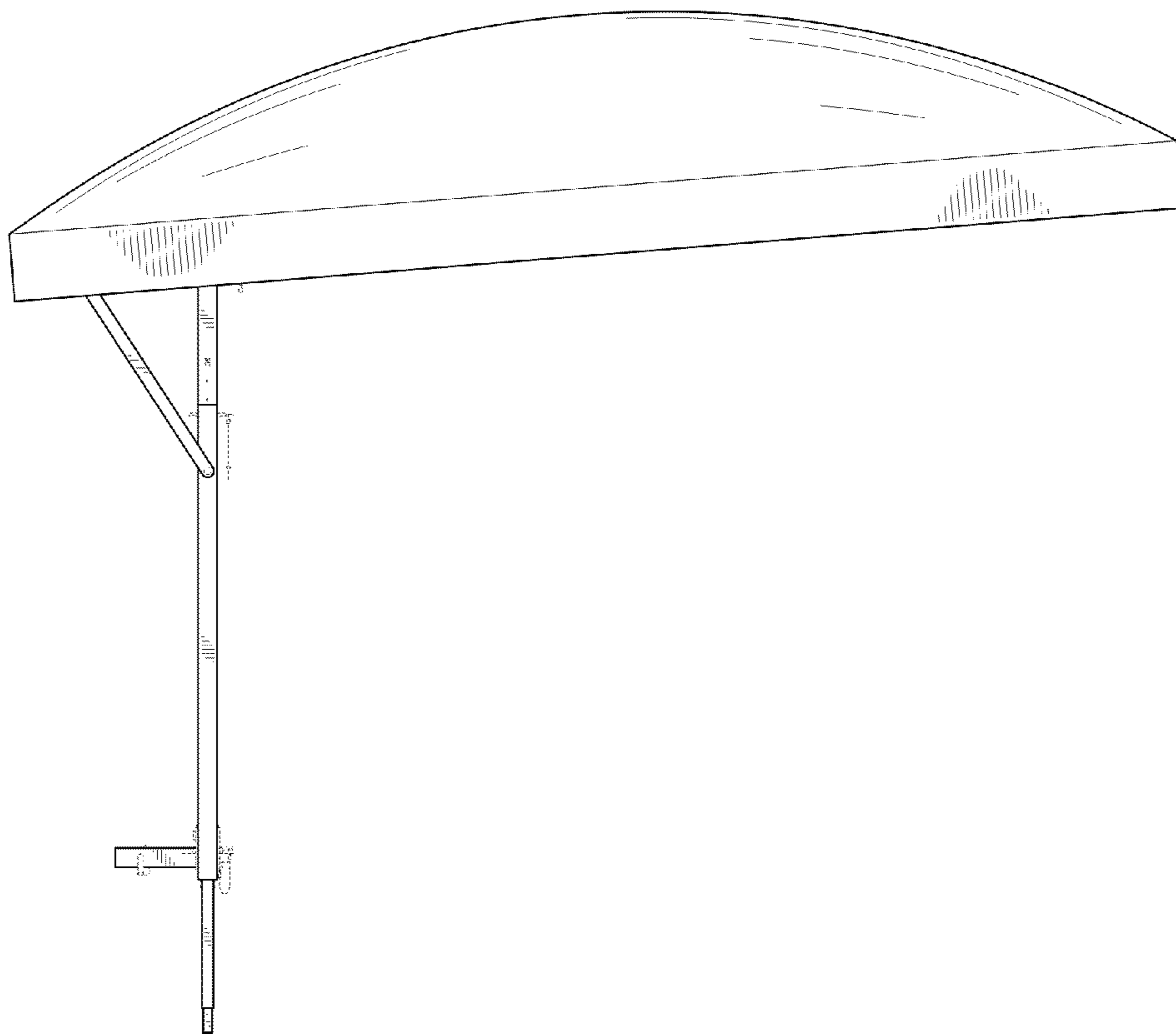


FIG. 4

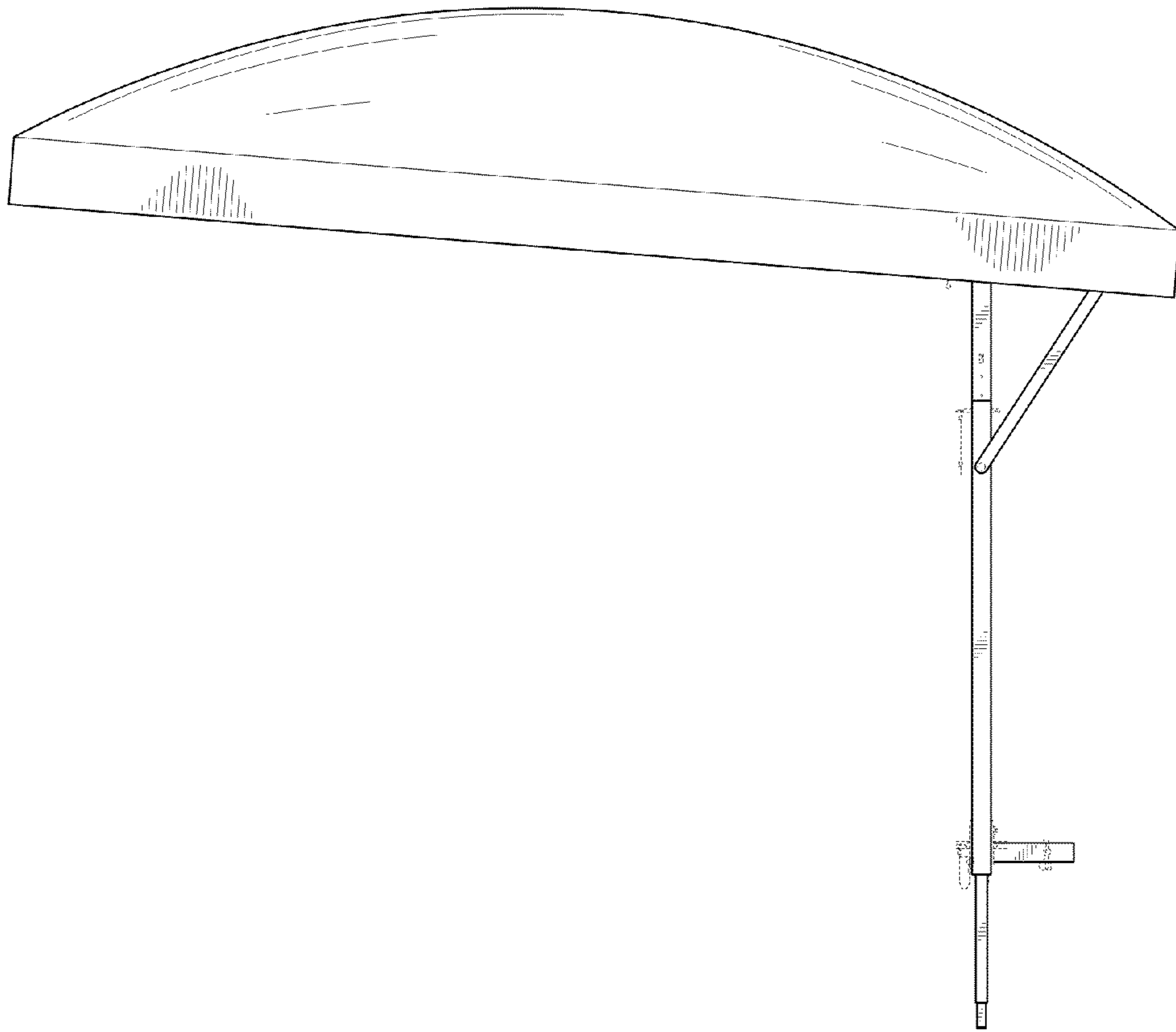


FIG. 5

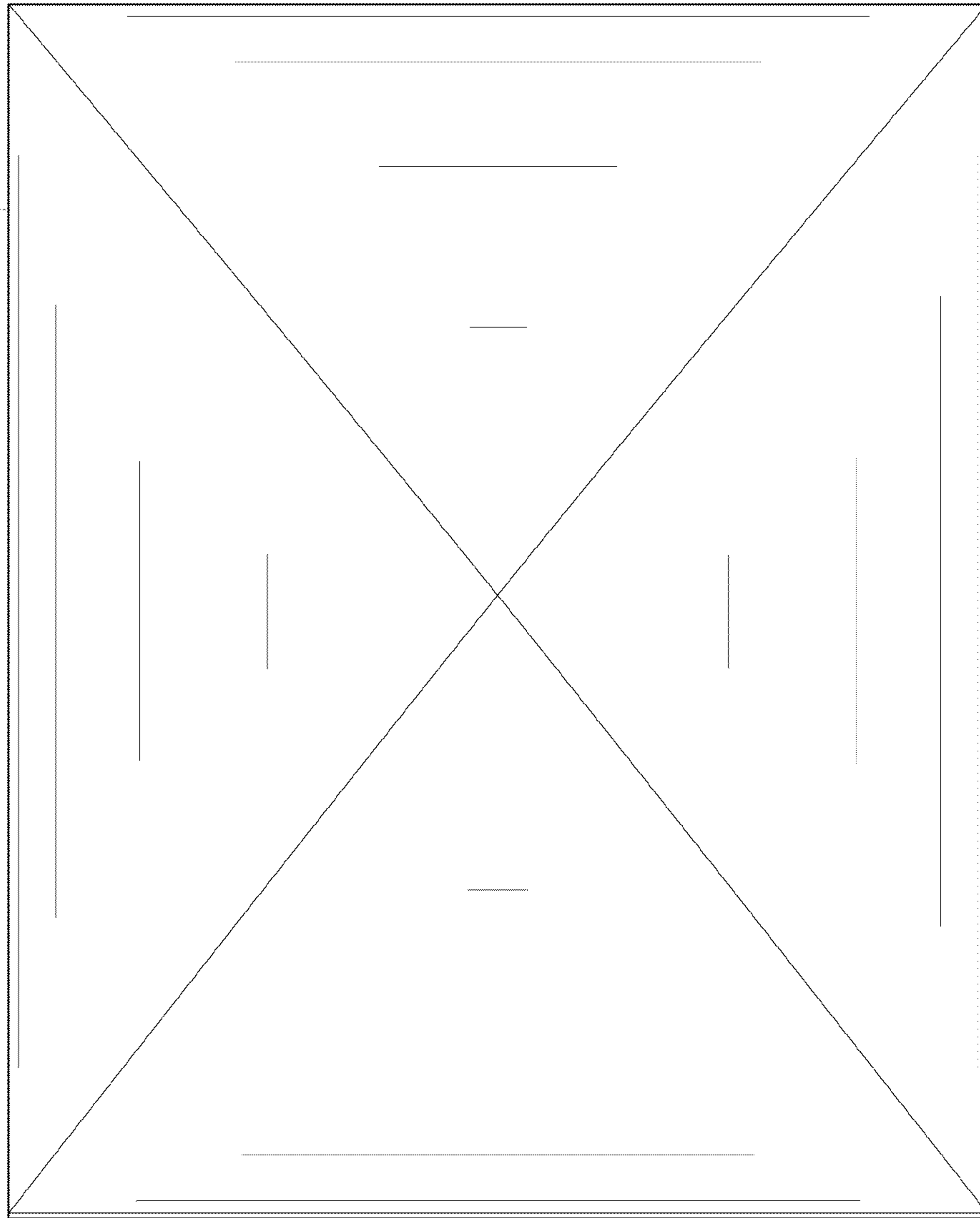


FIG. 6

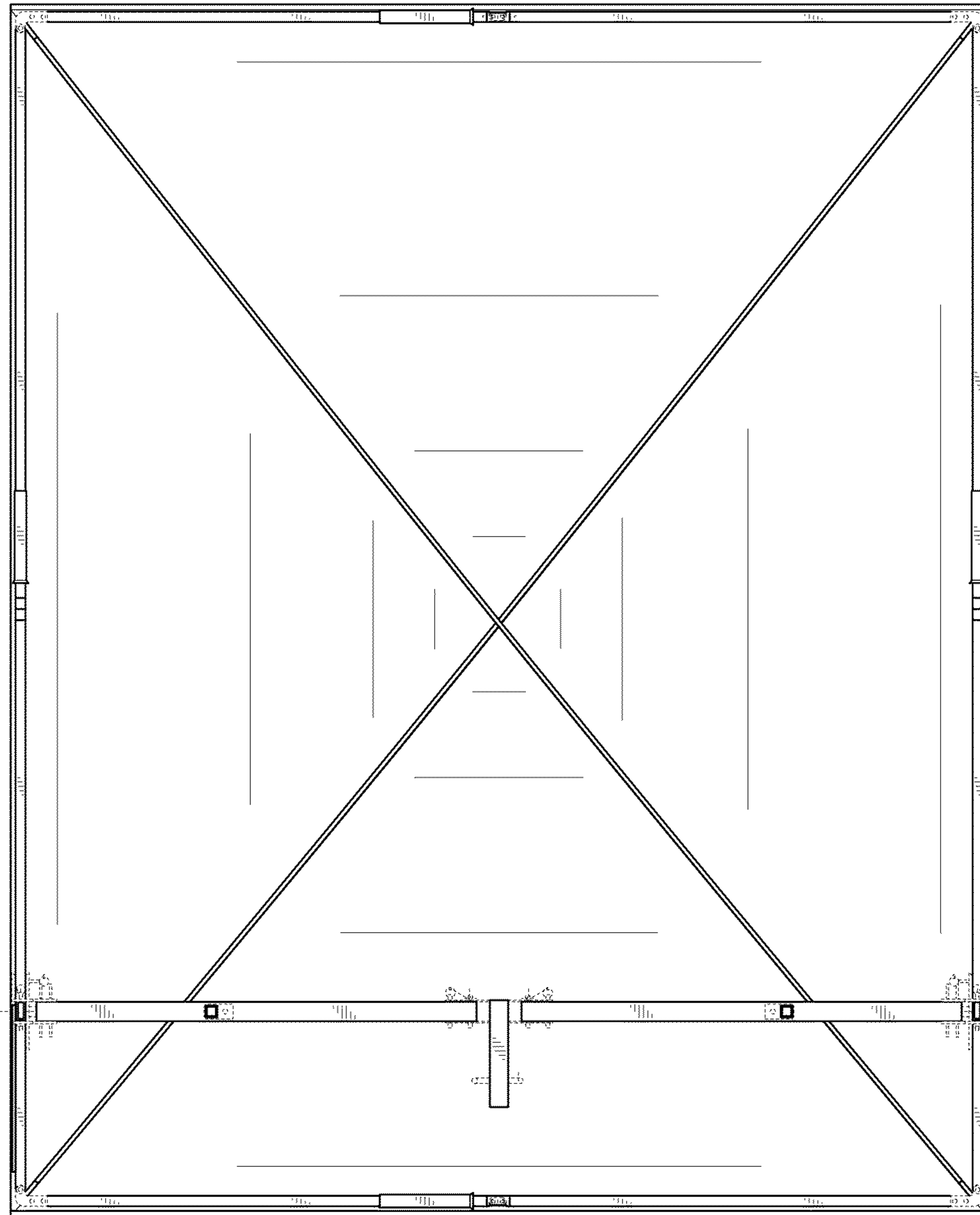


FIG. 7