



US00D732458S

(12) **United States Design Patent**  
**Dutertre**

(10) **Patent No.:** **US D732,458 S**  
(45) **Date of Patent:** **\*\* Jun. 23, 2015**

(54) **MODULAR PLANE**  
(71) Applicant: **Xavier Gilbert Marc Dutertre,**  
Le-Plessis-Grohan (FR)  
(72) Inventor: **Xavier Gilbert Marc Dutertre,**  
Le-Plessis-Grohan (FR)  
(\*\*) Term: **14 Years**  
(21) Appl. No.: **29/461,528**  
(22) Filed: **Jul. 24, 2013**  
(51) **LOC (10) Cl.** ..... **12-07**  
(52) **U.S. Cl.**  
USPC ..... **D12/319; D12/341; D21/447**  
(58) **Field of Classification Search**  
USPC ..... D12/16.1, 319-345; D21/447, 450  
CPC ..... B64C 1/00; B64C 3/00; B64C 3/10;  
B64C 21/00; B64C 23/00; B64C 2025/125;  
B64D 3/00; B64D 5/00; B64D 27/00; B64D  
27/26  
See application file for complete search history.

|           |      |         |                     |       |           |
|-----------|------|---------|---------------------|-------|-----------|
| 4,379,533 | A *  | 4/1983  | Caldwell et al.     | ..... | 244/118.1 |
| 4,889,297 | A *  | 12/1989 | Ikeda               | ..... | 244/5     |
| 5,150,860 | A *  | 9/1992  | Young               | ..... | 244/63    |
| D352,493  | S *  | 11/1994 | Krojer              | ..... | D12/337   |
| 5,465,923 | A *  | 11/1995 | Milner              | ..... | 244/2     |
| D421,955  | S *  | 3/2000  | Birrenbach          | ..... | D12/337   |
| D437,284  | S *  | 2/2001  | Knutson et al.      | ..... | D12/319   |
| 6,398,166 | B1 * | 6/2002  | Ballard et al.      | ..... | 244/158.1 |
| D628,528  | S *  | 12/2010 | Cabezas Carrasco    | ..... | D12/319   |
| D633,429  | S *  | 3/2011  | Saint-Jalmes et al. | ..... | D12/319   |
| 7,905,449 | B2 * | 3/2011  | Cazals et al.       | ..... | 244/55    |

\* cited by examiner

Primary Examiner — Martie K Holtje

(74) Attorney, Agent, or Firm — RatnerPrestia

(57) **CLAIM**

The ornamental design for a modular plane, as shown and described.

**DESCRIPTION**

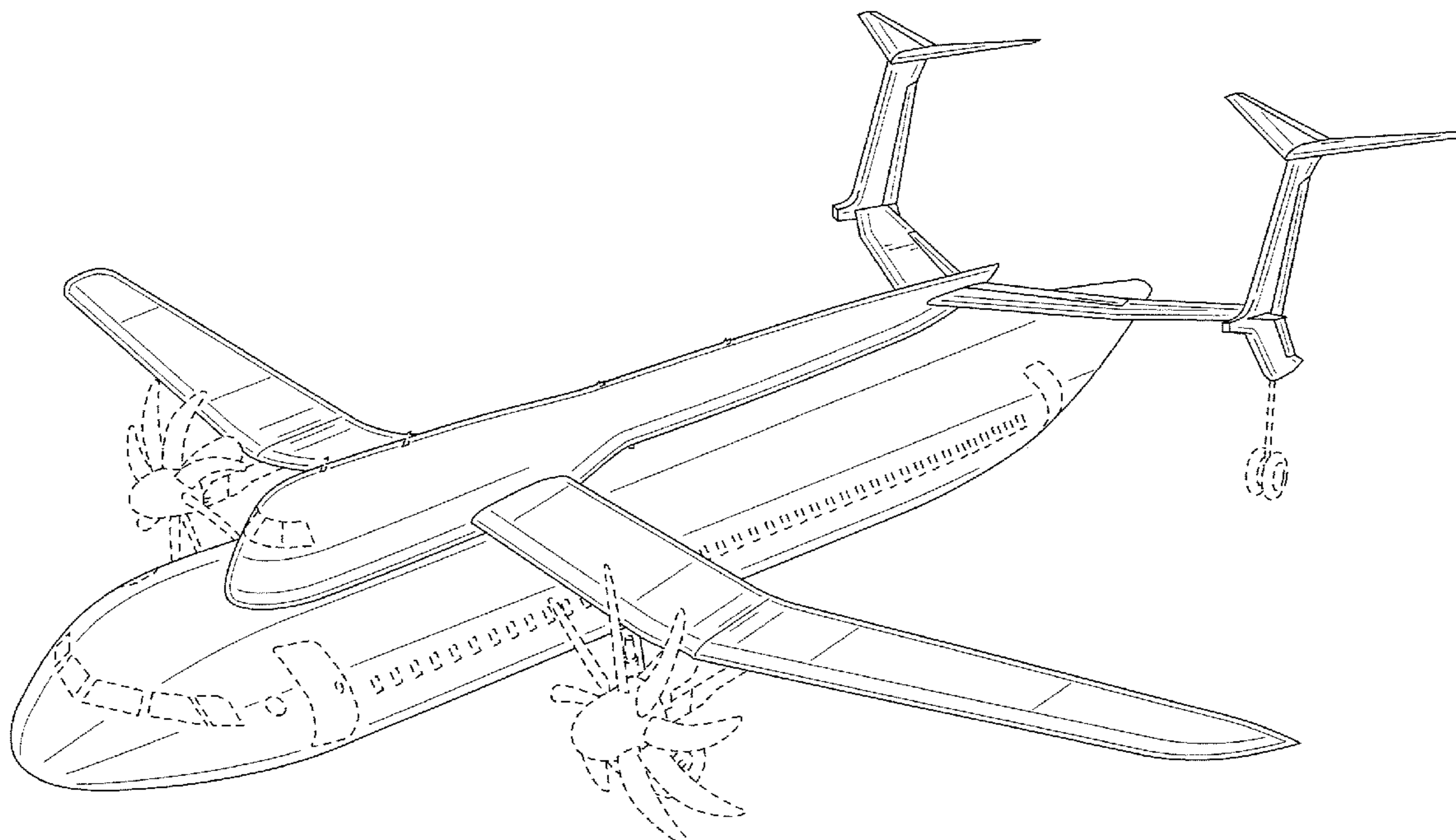
FIG. 1 is a front perspective view of a modular plane;  
FIG. 2 is a front elevation view thereof;  
FIG. 3 is a rear view elevation view thereof;  
FIG. 4 is a left side elevation view thereof, the right side being a mirror image thereof;  
FIG. 5 is a top plan view thereof; and,  
FIG. 6 is a bottom plan view thereof.  
The structural features depicted by broken lines have been shown for the purpose of illustrating portions of the modular plane that form no part of the claimed design.

**1 Claim, 6 Drawing Sheets**

(56) **References Cited**

**U.S. PATENT DOCUMENTS**

|           |     |         |                |       |         |
|-----------|-----|---------|----------------|-------|---------|
| 2,009,296 | A * | 7/1935  | Mayo           | ..... | 244/2   |
| 2,843,337 | A * | 7/1958  | Bennett        | ..... | 244/2   |
| 2,998,208 | A * | 8/1961  | Di Perna       | ..... | 244/2   |
| 3,070,326 | A * | 12/1962 | Griffith       | ..... | 244/2   |
| 3,258,228 | A * | 6/1966  | Crook          | ..... | 244/46  |
| 3,298,633 | A * | 1/1967  | Dastoli et al. | ..... | 244/2   |
| D223,869  | S * | 6/1972  | Hurkamp        | ..... | D12/337 |



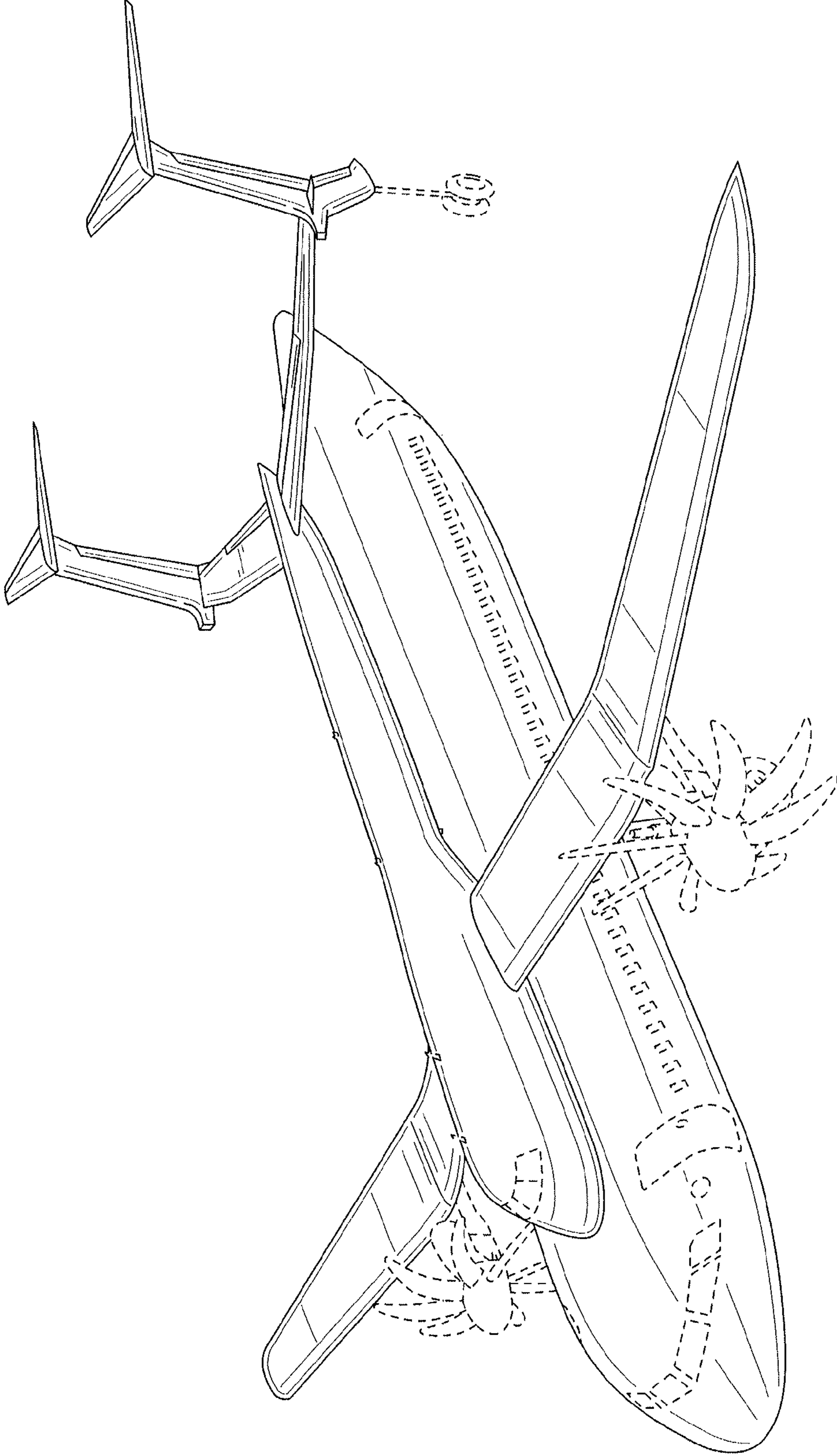


FIG. 1

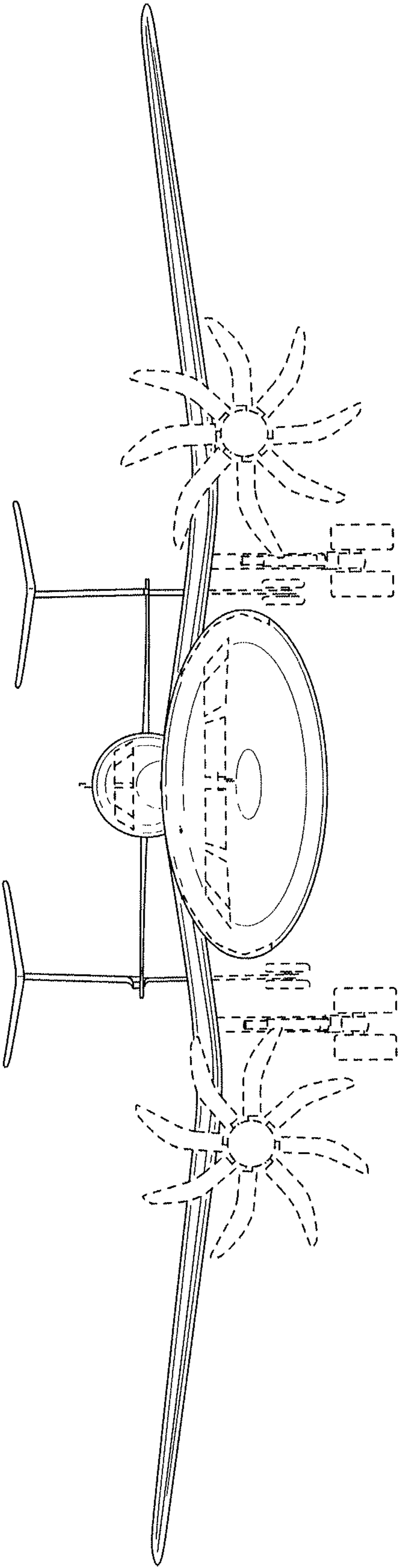


FIG. 2

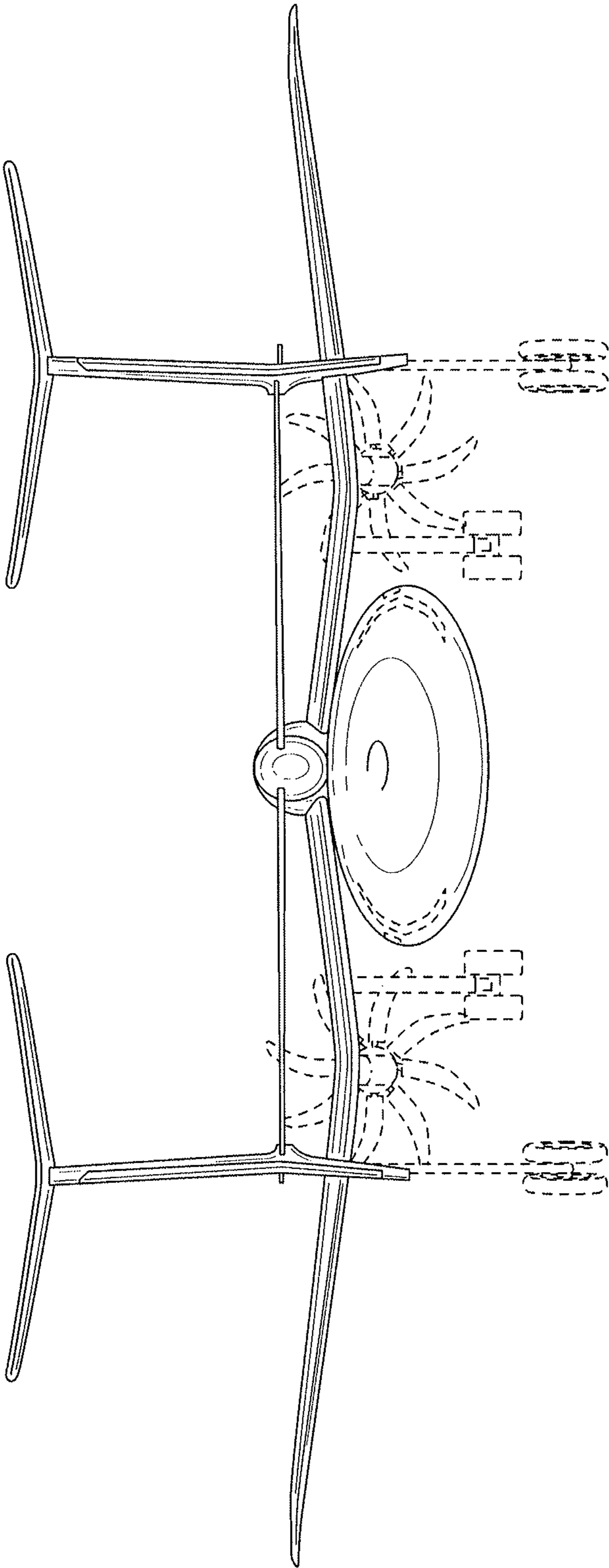


FIG. 3

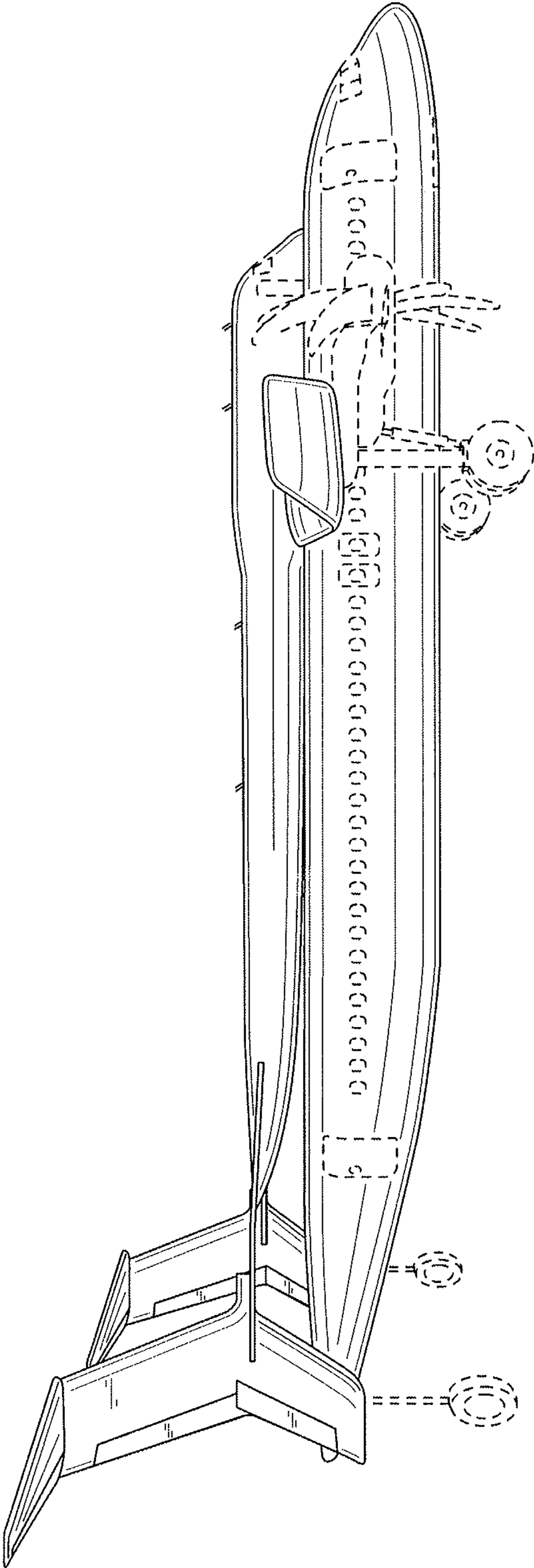


FIG. 4

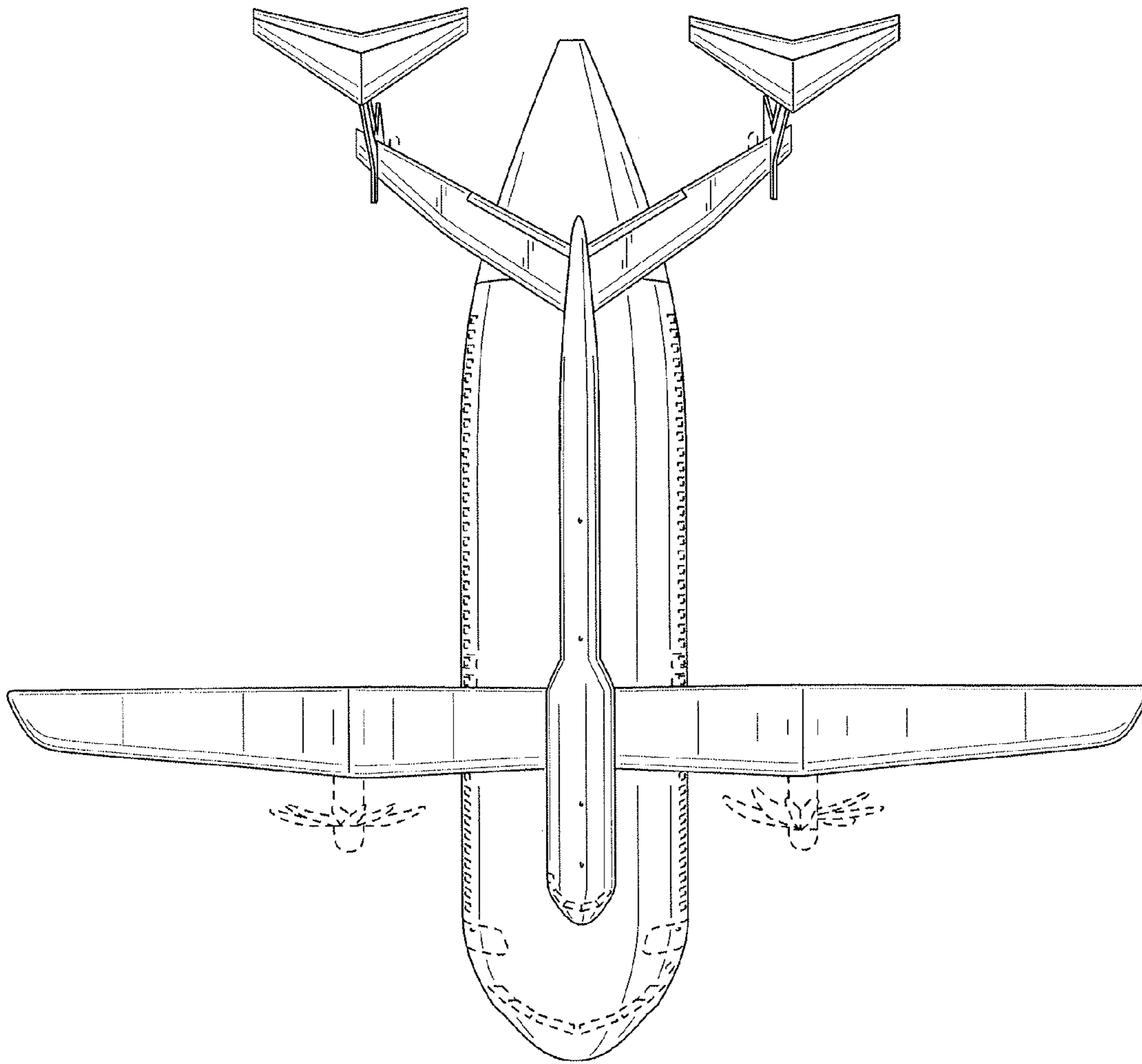


FIG. 5

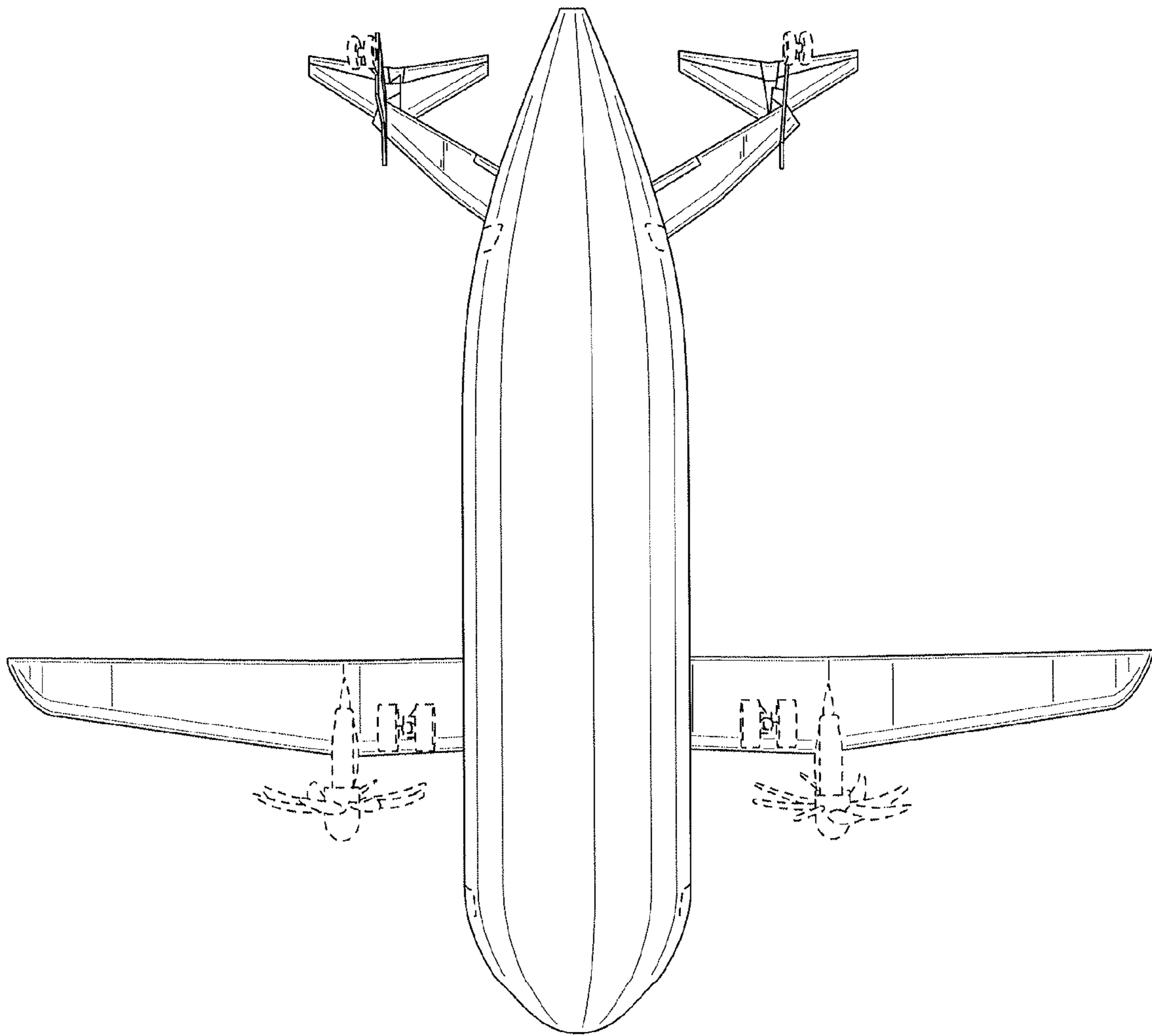


FIG. 6