



US00D732456S

(12) **United States Design Patent**
Dingel et al.

(10) **Patent No.:** **US D732,456 S**
(45) **Date of Patent:** **** Jun. 23, 2015**

- (54) **INFLATABLE DRIFT BOAT**
- (71) Applicant: **Northwest River Supplies, Inc.**,
Moscow, ID (US)
- (72) Inventors: **Bryan Dingel**, Boise, ID (US); **Jim MacAllister**, Whitefish, MT (US); **Rob Gleason**, Moscow, ID (US)
- (73) Assignee: **Northwest River Supplies, Inc.**,
Moscow, ID (US)
- (**) Term: **14 Years**
- (21) Appl. No.: **29/445,641**
- (22) Filed: **Feb. 14, 2013**
- (51) **LOC (10) Cl.** **12-06**
- (52) **U.S. Cl.**
USPC **D12/300**
- (58) **Field of Classification Search**
USPC 114/71, 56.1, 65 R, 140, 151, 15, 121,
114/78, 82, 61.33, 356, 343, 61.3, 61.1,
114/61.2, 61.27, 271, 288, 39.25, 77 R, 274,
114/272, 362, 373, 5, 369, 375, 68, 286,
114/291, 39.24, 280, 265, 123, 275, 61.32,
114/256, 61.12, 39.28, 278, 290, 124, 90,
114/283, 273; D32/69; D2/898, 919;
D21/542, 543; D12/304, 303, 309,
D12/300, 314, 315, 302; 89/36.12; 60/221,
60/233; 244/12.1; 318/588; 440/3, 38, 40,
440/1, 87; 220/543; 410/40
See application file for complete search history.

5,168,825	A *	12/1992	Ring	114/363
5,647,297	A *	7/1997	Hansen	114/283
5,765,499	A *	6/1998	McKenzie	114/347
5,870,966	A *	2/1999	Christian	114/353
5,975,004	A *	11/1999	Neseth	114/347
D505,378	S *	5/2005	Nan	D12/302
6,981,460	B1 *	1/2006	Wheeler et al.	114/67 A
D564,436	S *	3/2008	Chambers	D12/300
D573,934	S *	7/2008	Marcial	D12/300
7,775,172	B2 *	8/2010	Hansen	114/123
D642,108	S *	7/2011	Gros	D12/300
D644,164	S *	8/2011	Cross et al.	D12/302

* cited by examiner

Primary Examiner — Robert M Spear

Assistant Examiner — Ryan Harvey

(74) *Attorney, Agent, or Firm* — Duncan Palmatier

(57) **CLAIM**

The ornamental design for an inflatable drift boat, as shown and described.

DESCRIPTION

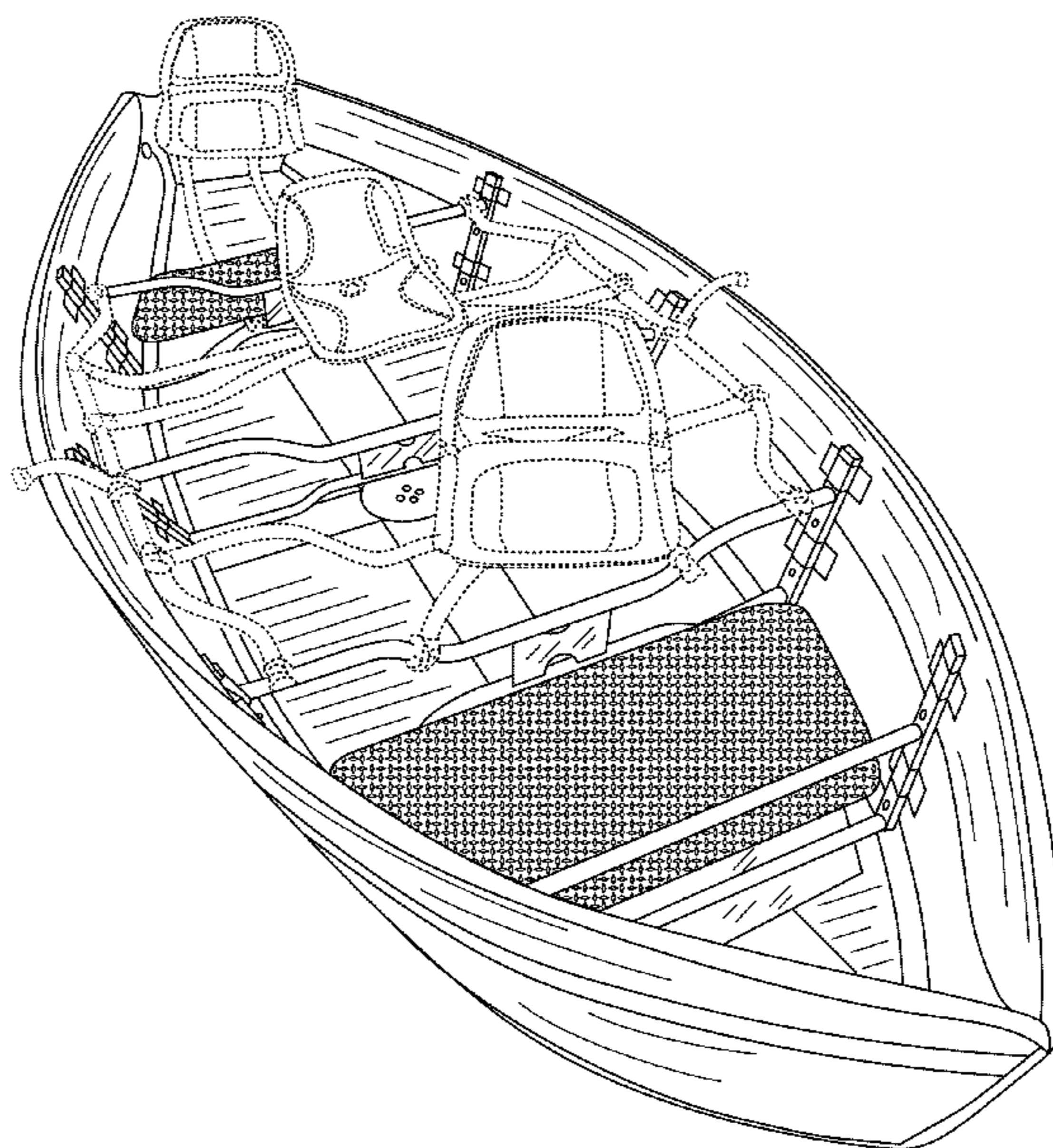
FIG. 1 is a front perspective view of an inflatable drift boat. FIG. 2 is a right side view of the inflatable drift boat of FIG. 1; the opposite side being a mirror image thereof. FIG. 3 is a front view of the inflatable drift boat of FIG. 1. FIG. 4 is a back view of the inflatable drift boat of FIG. 1. FIG. 5 is a top view of the inflatable drift boat of FIG. 1. FIG. 6 is a bottom view of the inflatable drift boat of FIG. 1; and, FIG. 7 is a rear perspective view of the inflatable drift boat of FIG. 1. The broken lines illustrate portions of the article that form no part of the claimed design. The broken lines in FIG. 7 have been removed for clarity of disclosure.

1 Claim, 7 Drawing Sheets

(56) **References Cited**

U.S. PATENT DOCUMENTS

4,287,624	A *	9/1981	Lowther	114/343
4,465,009	A *	8/1984	Wood et al.	114/61.33



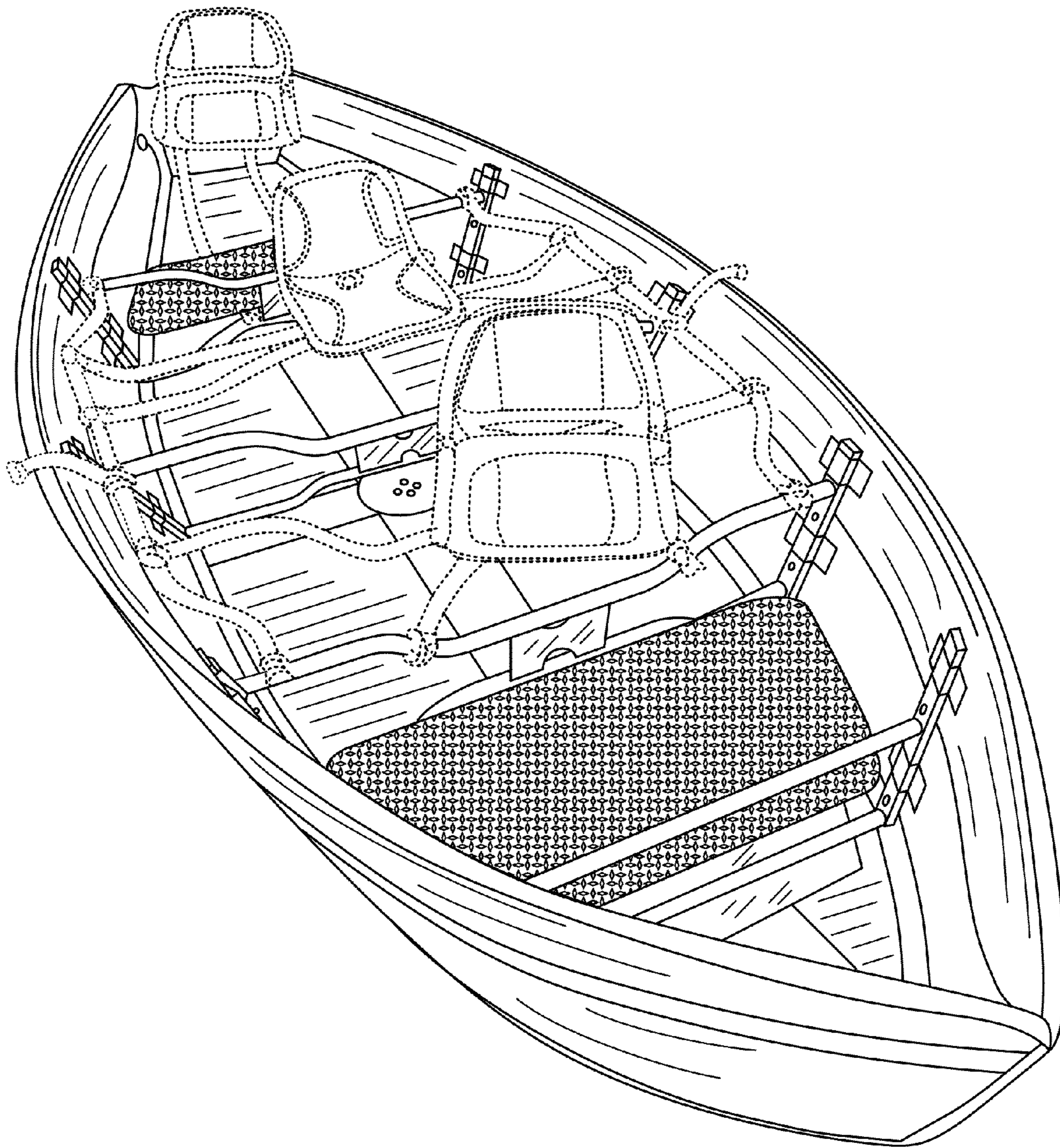


FIG. 1

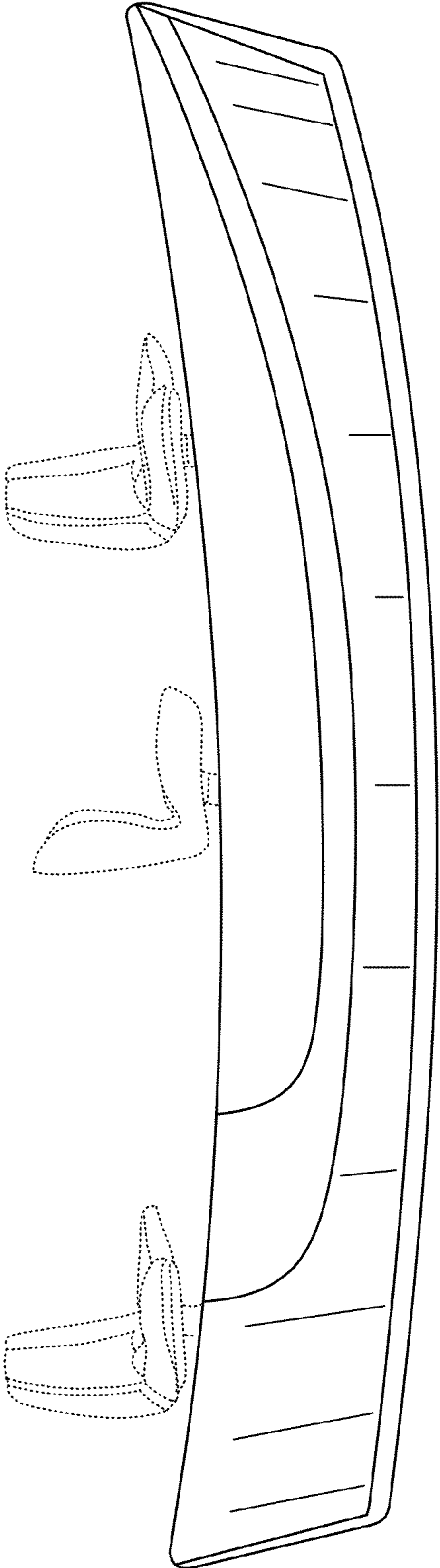


FIG. 2

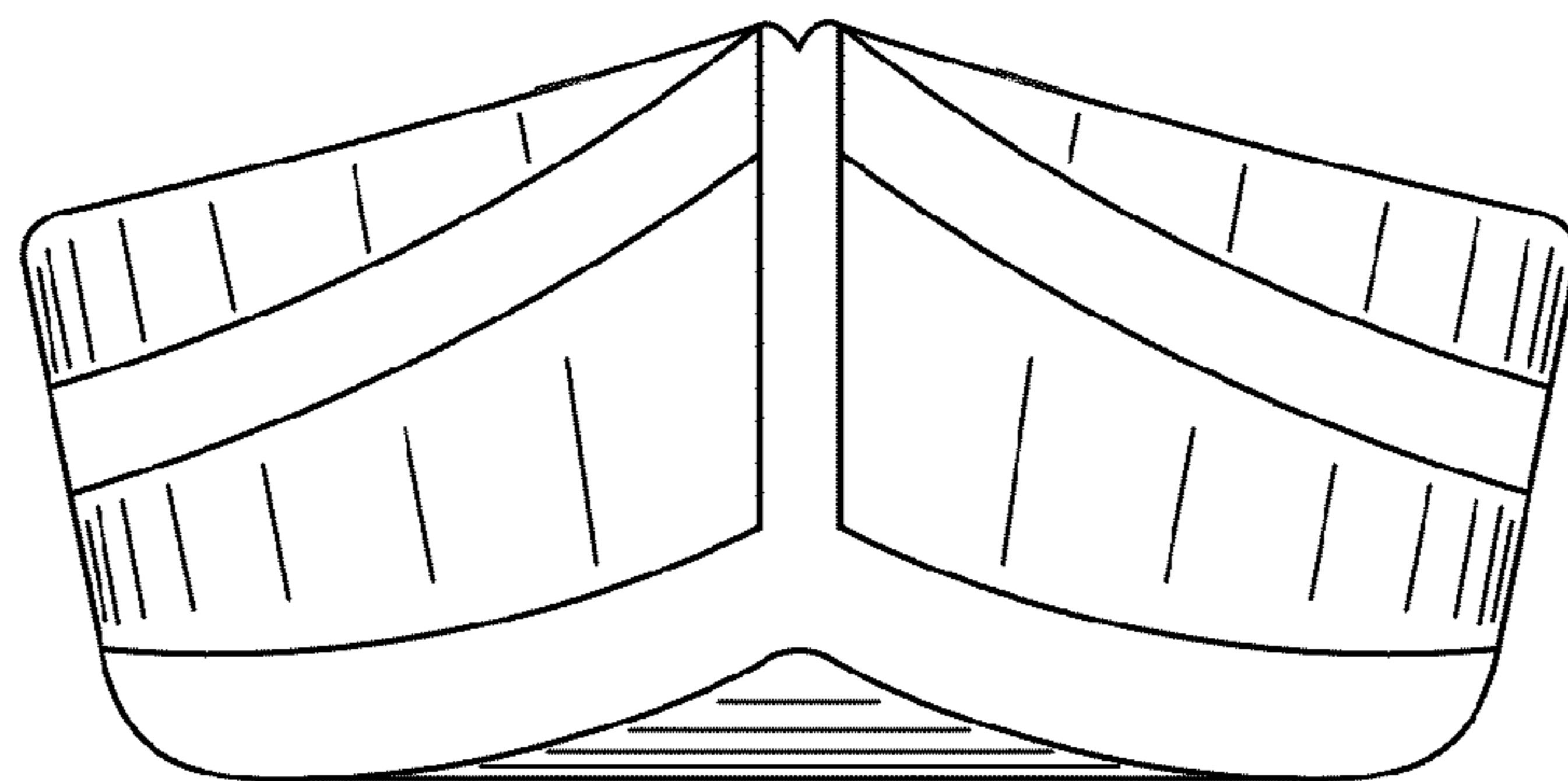


FIG. 3

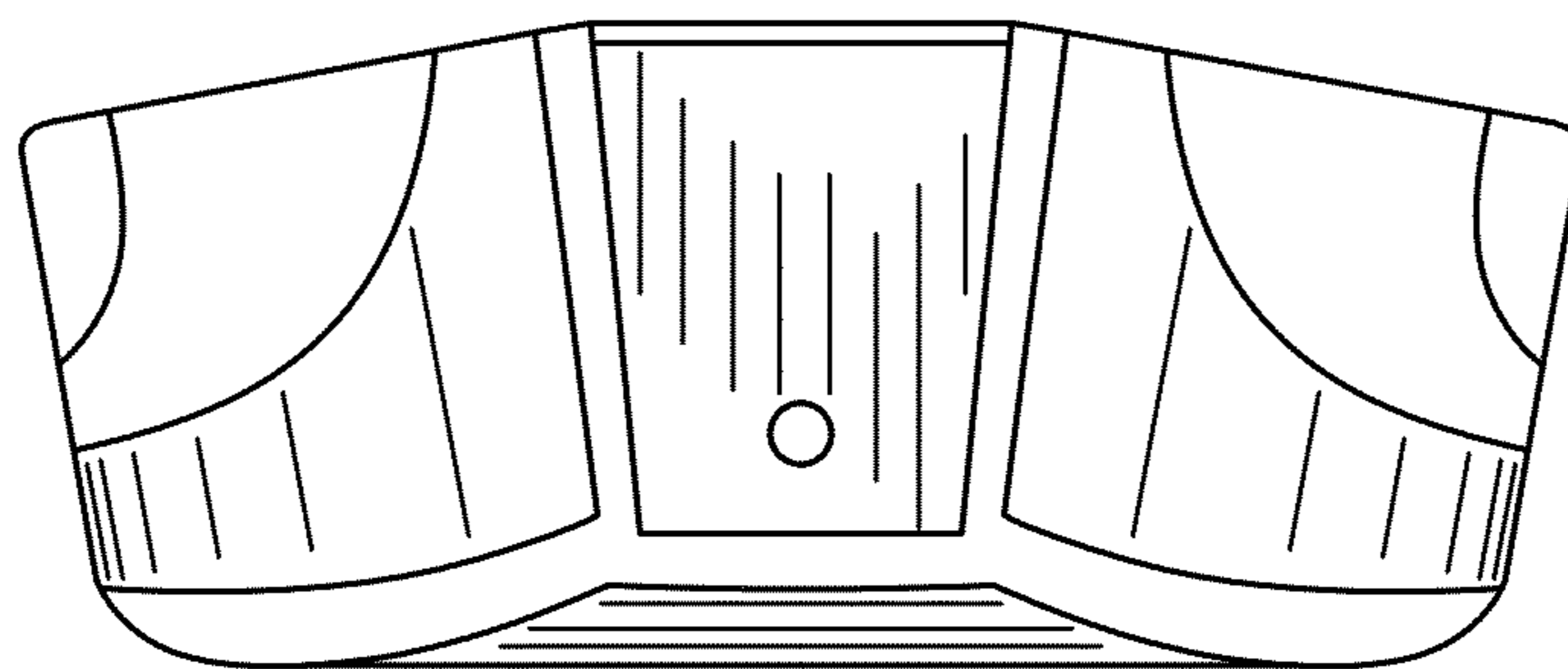


FIG. 4

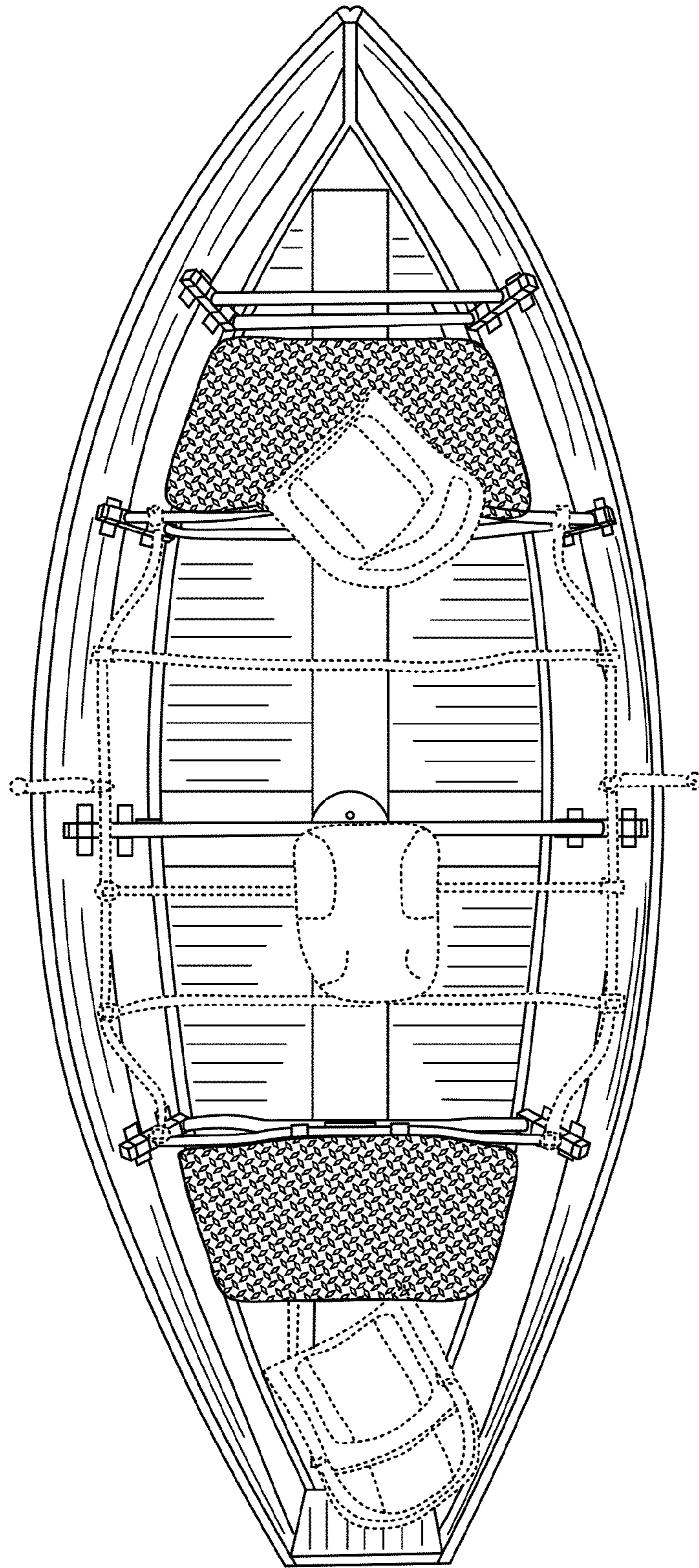


FIG. 5

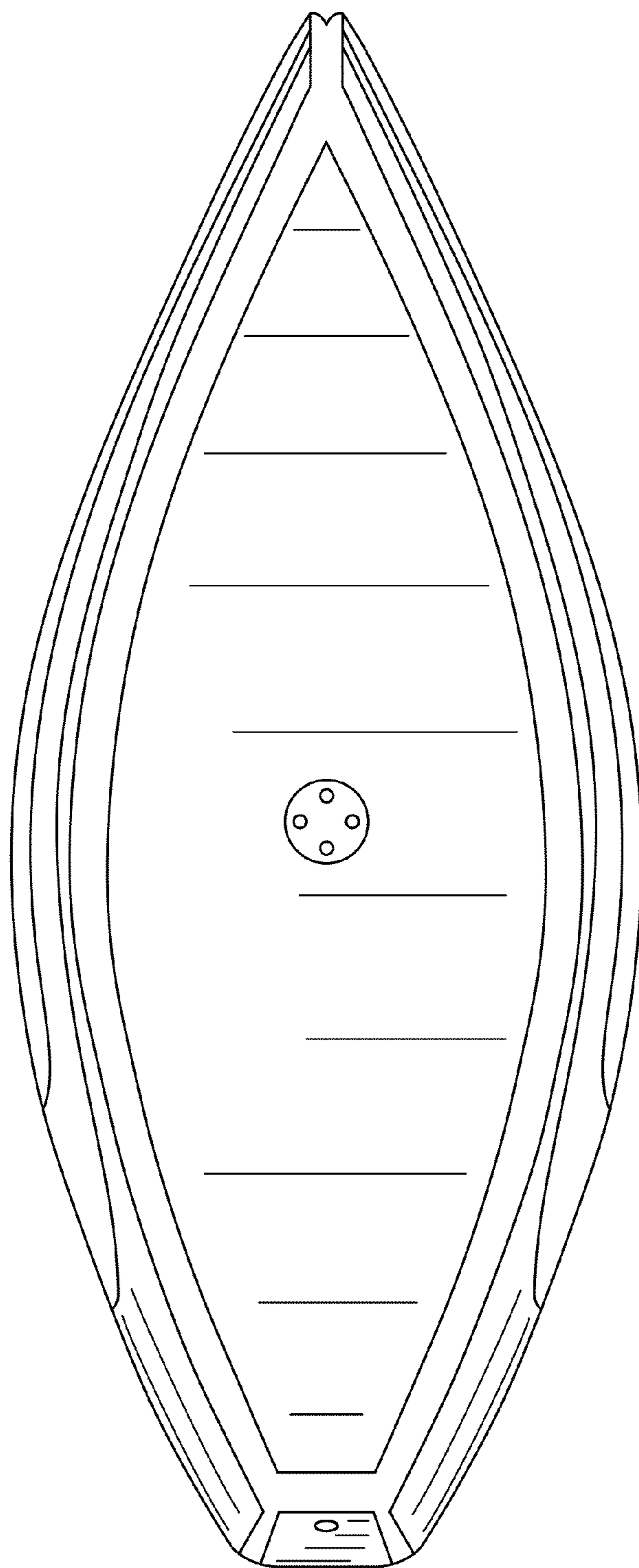


FIG. 6

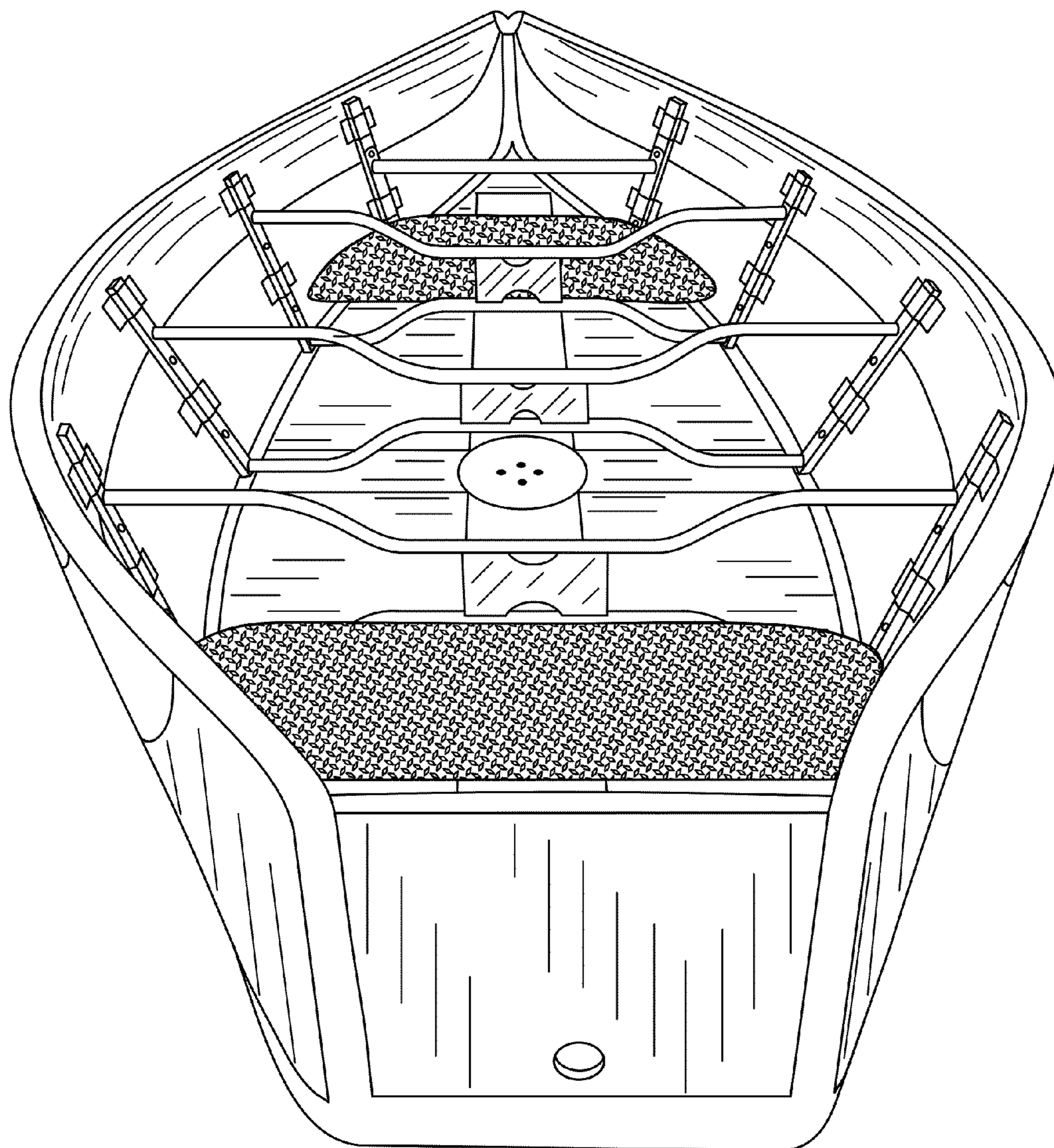


FIG. 7