



US00D732455S

(12) **United States Design Patent**
Fujiwara et al.

(10) **Patent No.:** **US D732,455 S**
(45) **Date of Patent:** **** Jun. 23, 2015**

(54) **WINDSHIELD WIPER FOR VEHICLE**

(56) **References Cited**

(71) Applicant: **Mitsuba Corporation**, Kiryu-shi,
Gunma (JP)

U.S. PATENT DOCUMENTS

(72) Inventors: **Masaru Fujiwara**, Kiryu (JP);
Kazuhisa Tamura, Kiryu (JP); **Yuhei**
Kichikawa, Kiryu (JP)

D604,426 S * 11/2009 Kelley D25/48.3
D702,175 S * 4/2014 Kim D12/219
D704,125 S * 5/2014 Kani et al. D12/219
D712,337 S * 9/2014 An D12/219
D713,319 S * 9/2014 An D12/219
D716,714 S * 11/2014 Kim D12/219

(73) Assignee: **Mitsuba Corporation**, Kiryu-shi,
Gunma (JP)

* cited by examiner

(**) Term: **14 Years**

Primary Examiner — Katrina A Betton

(21) Appl. No.: **29/494,584**

(74) *Attorney, Agent, or Firm* — McCormick, Paulding &
Huber LLP

(22) Filed: **Jun. 23, 2014**

(57) **CLAIM**

The ornamental design for a windshield wiper for vehicle, as
shown.

(30) **Foreign Application Priority Data**

Dec. 24, 2013 (JP) 2013-030164

DESCRIPTION

(51) **LOC (10) Cl.** **12-06**

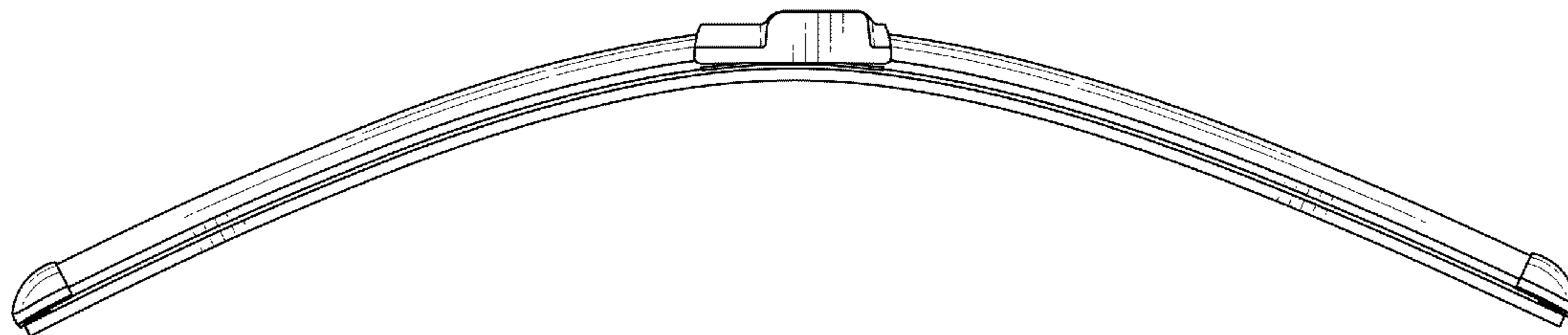
(52) **U.S. Cl.**
USPC **D12/219**

(58) **Field of Classification Search**
USPC D12/219–220; 15/246, 247, 250.001,
15/250.4, 250.361, 250.19, 250.48,
15/250.03, 250.31–250.33, 250.351,
15/250.38, 250.201, 250.451, 250.458,
15/250.04, 250.07, 250.44

FIG. 1 is a front, top perspective view of a windshield wiper
for vehicle comprising a new, original and ornamental design;
FIG. 2 is a front view thereof;
FIG. 3 is a rear view thereof;
FIG. 4 is a left side view thereof;
FIG. 5 is a right side view thereof;
FIG. 6 is a top view thereof; and,
FIG. 7 is a bottom view thereof.

See application file for complete search history.

1 Claim, 3 Drawing Sheets



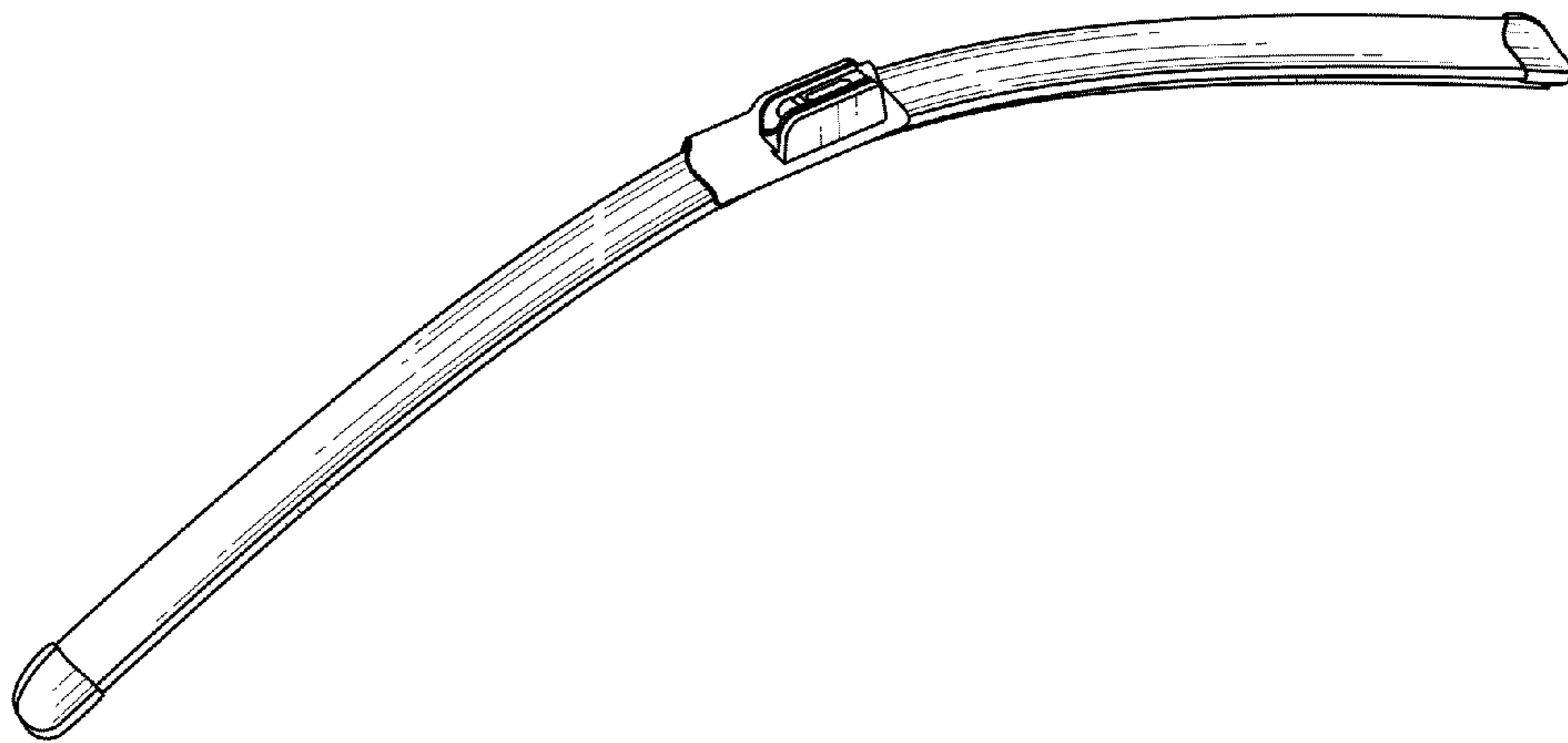


FIG. 1

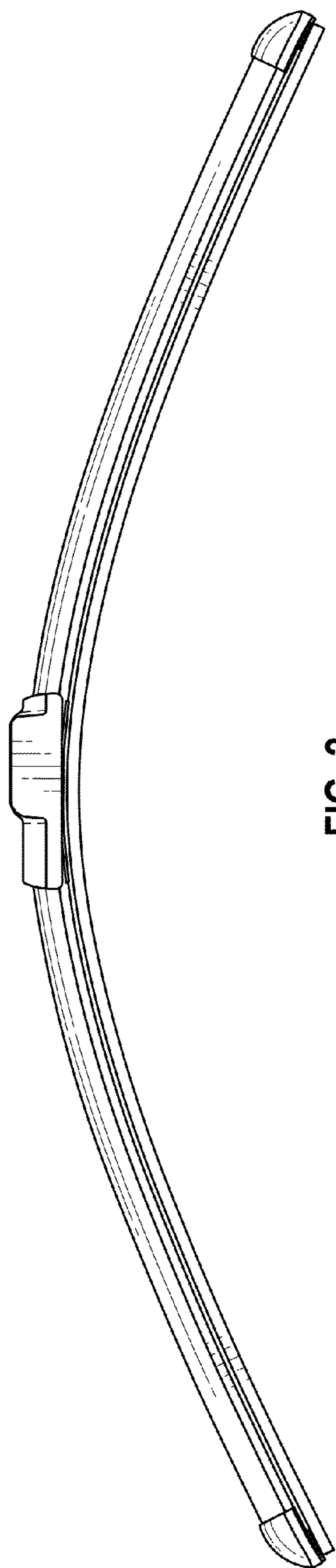


FIG. 2

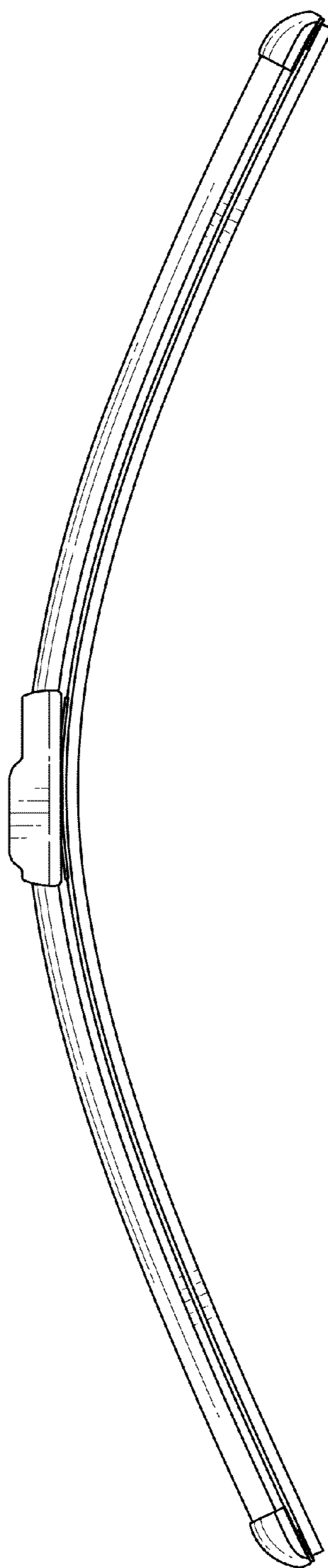


FIG. 3



FIG. 4

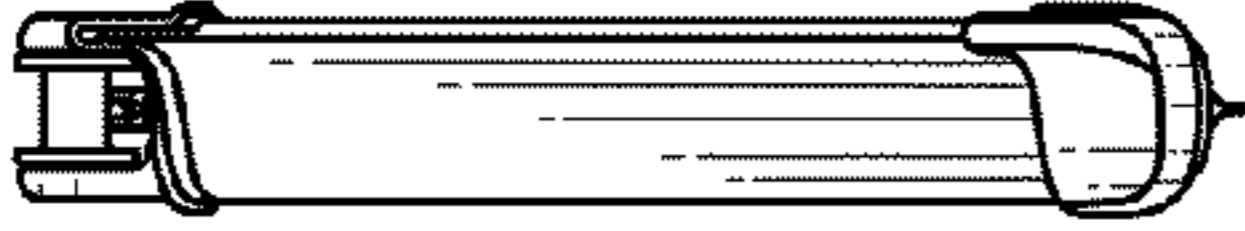


FIG. 5



FIG. 6

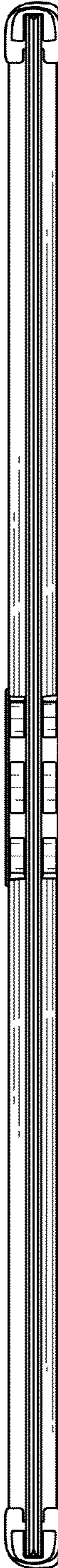


FIG. 7