

US00D732452S

(12) **United States Design Patent**  
**Chung**

(10) **Patent No.:** **US D732,452 S**  
(45) **Date of Patent:** **\*\* Jun. 23, 2015**

(54) **AUTOMOTIVE WHEEL**

(71) Applicant: **Suny Chung**, Brea, CA (US)

(72) Inventor: **Suny Chung**, Brea, CA (US)

(\*\*) Term: **14 Years**

(21) Appl. No.: **29/442,691**

(22) Filed: **Apr. 22, 2013**

(51) **LOC (10) Cl.** ..... **12-16**

(52) **U.S. Cl.**  
USPC ..... **D12/211**

(58) **Field of Classification Search**  
USPC ..... D12/204-213; 301/37.101, 64.101, 65,  
301/64.201  
See application file for complete search history.

(56) **References Cited**

**U.S. PATENT DOCUMENTS**

D543,923 S \* 6/2007 Hieke ..... D12/211  
D596,551 S \* 7/2009 Futschik et al. .... D12/211

D666,959 S \* 9/2012 Lucaora ..... D12/211  
D678,165 S \* 3/2013 Zhao ..... D12/211  
D681,539 S \* 5/2013 Zhao ..... D12/211  
D682,182 S \* 5/2013 Zhao ..... D12/211  
D682,770 S \* 5/2013 Zhao ..... D12/211  
D687,757 S \* 8/2013 Lemke ..... D12/211

\* cited by examiner

*Primary Examiner* — Stacia Cadmus

(57) **CLAIM**

The ornamental design for an automotive wheel, as shown and described.

**DESCRIPTION**

FIG. 1 is a perspective view of an automotive wheel, showing my new design; and, FIG. 2 is a front view thereof. The broken line showing of the rear portion of the wheel is included for the purpose of illustrating environment and forms no part of the claimed design.

**1 Claim, 2 Drawing Sheets**

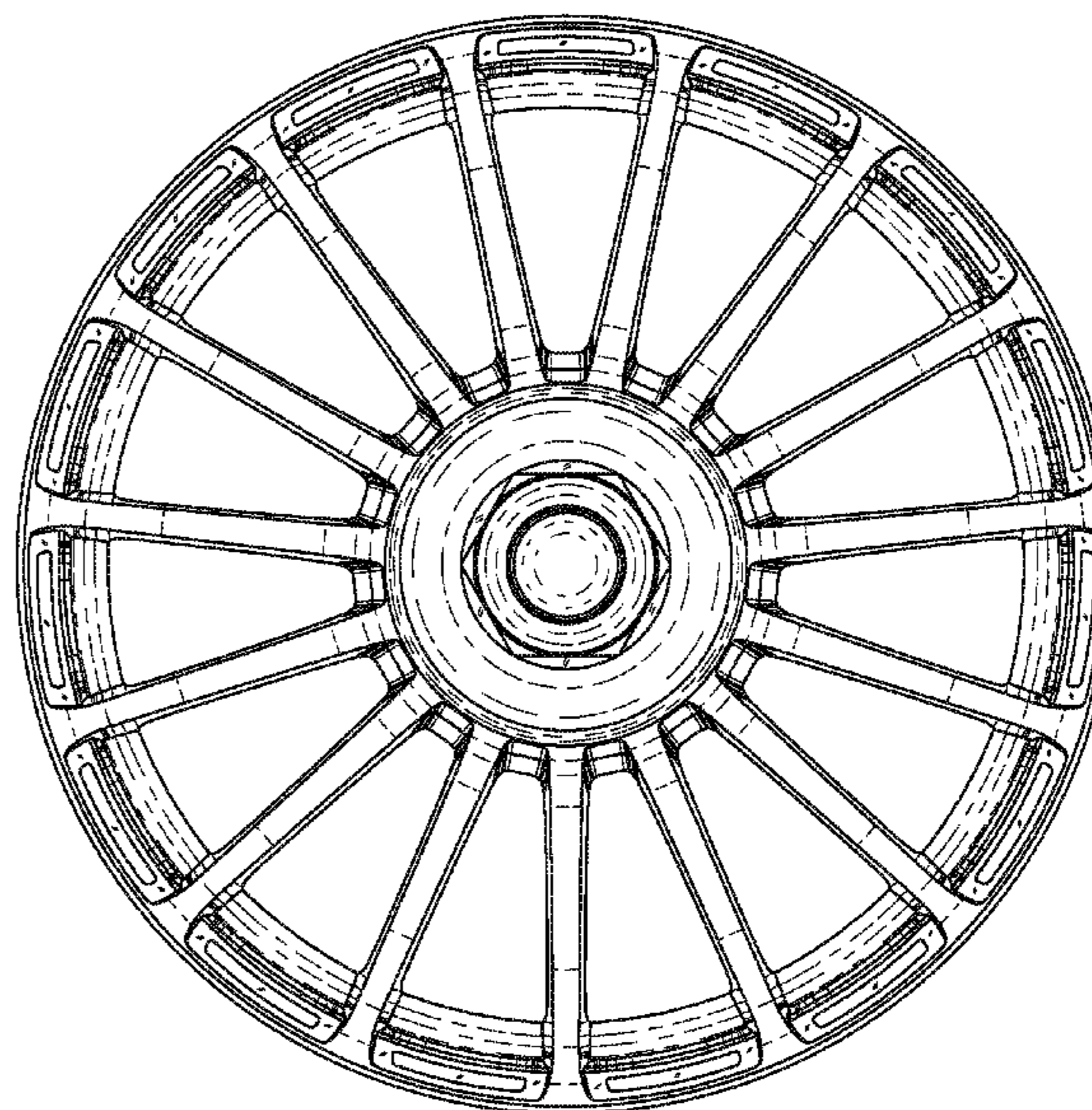
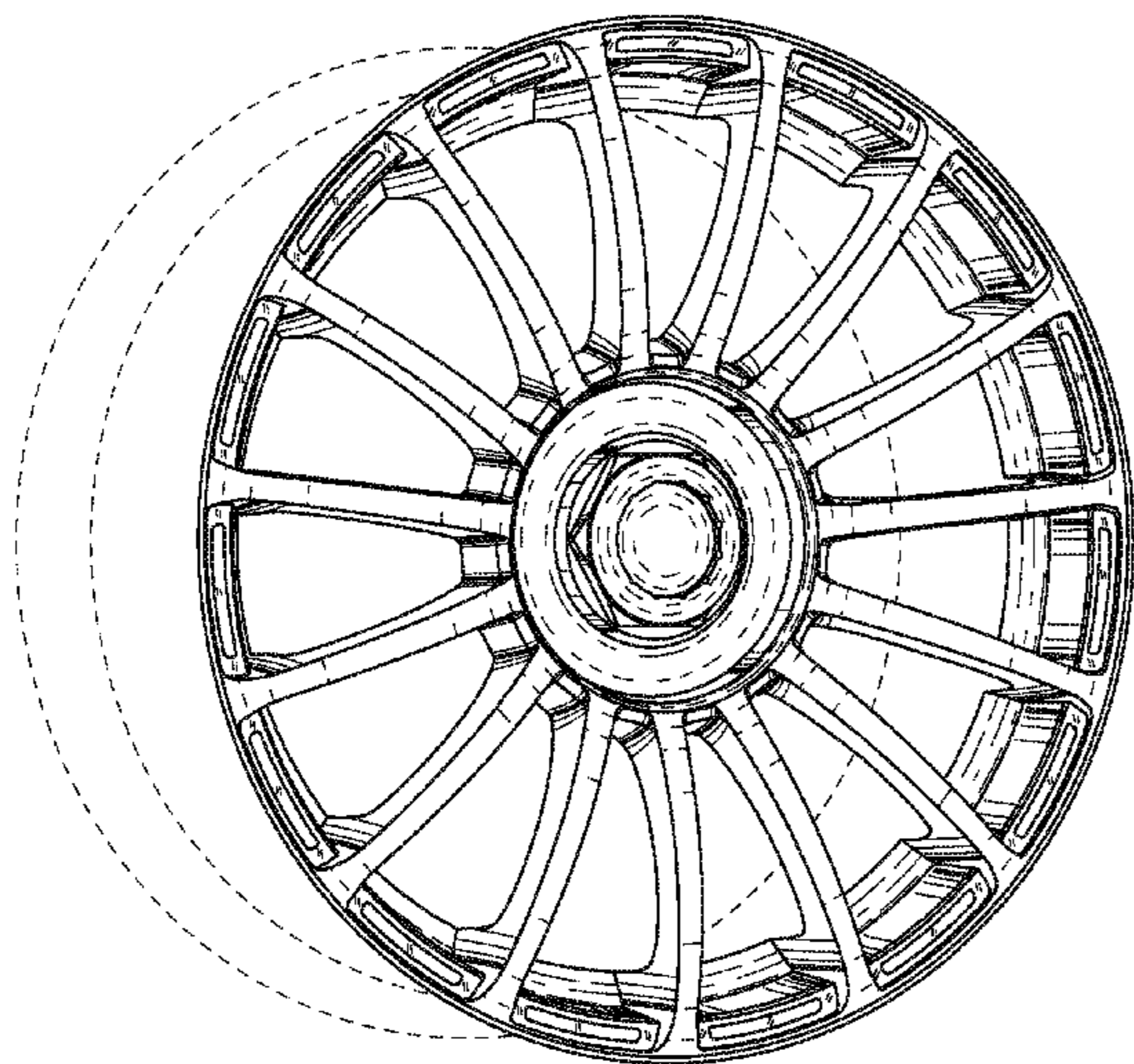


FIGURE 1

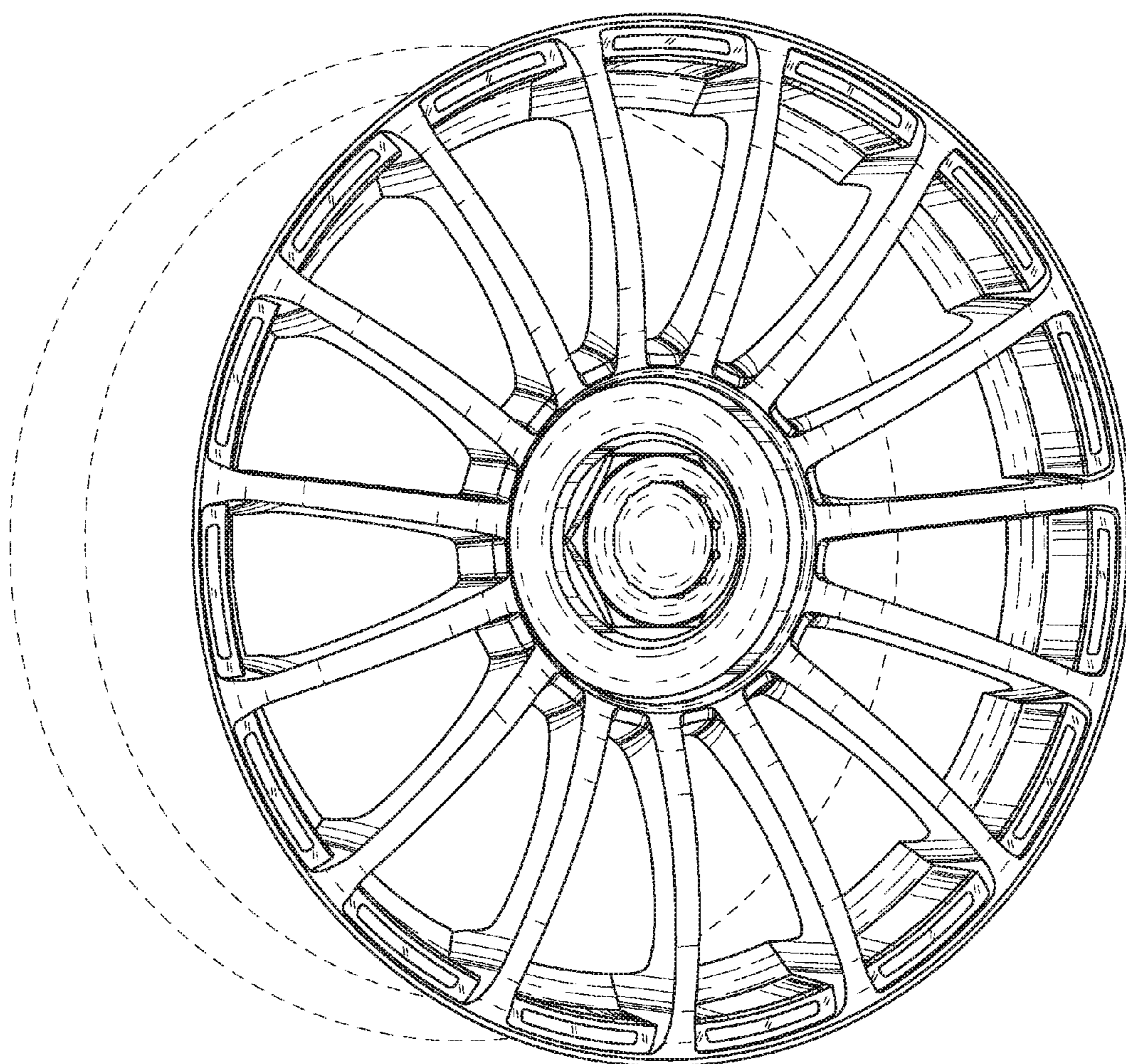


FIGURE 2

