



US00D732451S

(12) **United States Design Patent**
Xiong

(10) **Patent No.:** **US D732,451 S**
(45) **Date of Patent:** **** Jun. 23, 2015**

(54) **BICYCLE WHEEL**

(71) Applicant: **Shanghai DNK New Material Technology Co., Ltd., Shanghai (CN)**

(72) Inventor: **Daowu Xiong, Shanghai (CN)**

(**) Term: **14 Years**

(21) Appl. No.: **29/502,479**

(22) Filed: **Sep. 16, 2014**

(51) **LOC (10) Cl.** **12-16**

(52) **U.S. Cl.**
USPC **D12/209**

(58) **Field of Classification Search**
USPC D12/204–213
CPC B60B 7/00; B60B 7/02; B60B 7/04;
B60B 7/01; B60B 7/06; B60B 3/02; B60B
3/04; B60B 3/06; B60B 3/10; B60B 1/00;
B60B 1/08; B60B 1/10; B60B 1/12
See application file for complete search history.

(56) **References Cited**

U.S. PATENT DOCUMENTS

D256,686 S *	9/1980	Zielinski	D12/205
D276,717 S *	12/1984	Ogishima et al.	D12/211
D340,023 S *	10/1993	Geran	D12/211
D370,652 S *	6/1996	Londry	D12/209
D378,506 S *	3/1997	Stolz et al.	D12/209
D384,023 S *	9/1997	Chrysanto	D12/209
D389,101 S *	1/1998	Julien	D12/209
D389,447 S *	1/1998	Chrysanto	D12/209
D399,179 S *	10/1998	Suprihanto	D12/209

D400,484 S *	11/1998	Chrysanto	D12/209
D453,135 S *	1/2002	Chen	D12/209
D454,822 S *	3/2002	Leutz	D12/209
D490,355 S *	5/2004	Francis	D12/209
D491,127 S *	6/2004	Francis	D12/209
D491,868 S *	6/2004	Lin	D12/209
D491,869 S *	6/2004	Rivers et al.	D12/209
D550,602 S *	9/2007	Shimokawa et al.	D12/209
D573,078 S *	7/2008	Longpre et al.	D12/209
D610,063 S *	2/2010	Liao	D12/209
D623,998 S *	9/2010	Holstein et al.	D12/209
D670,631 S *	11/2012	Buell	D12/209
D676,369 S *	2/2013	Buell	D12/209
D690,641 S *	10/2013	Winshtein et al.	D12/209

* cited by examiner

Primary Examiner — Stacia Cadmus

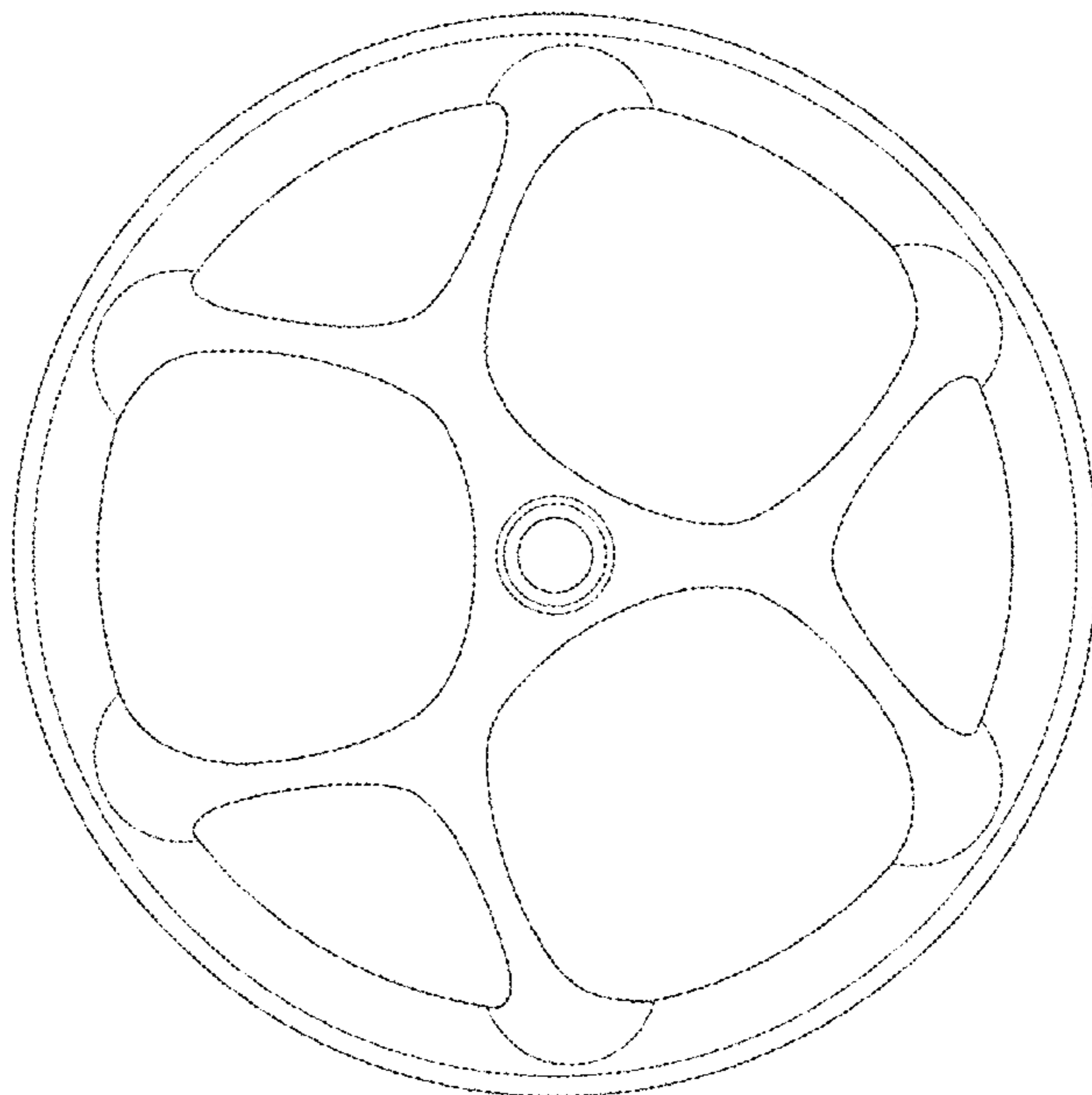
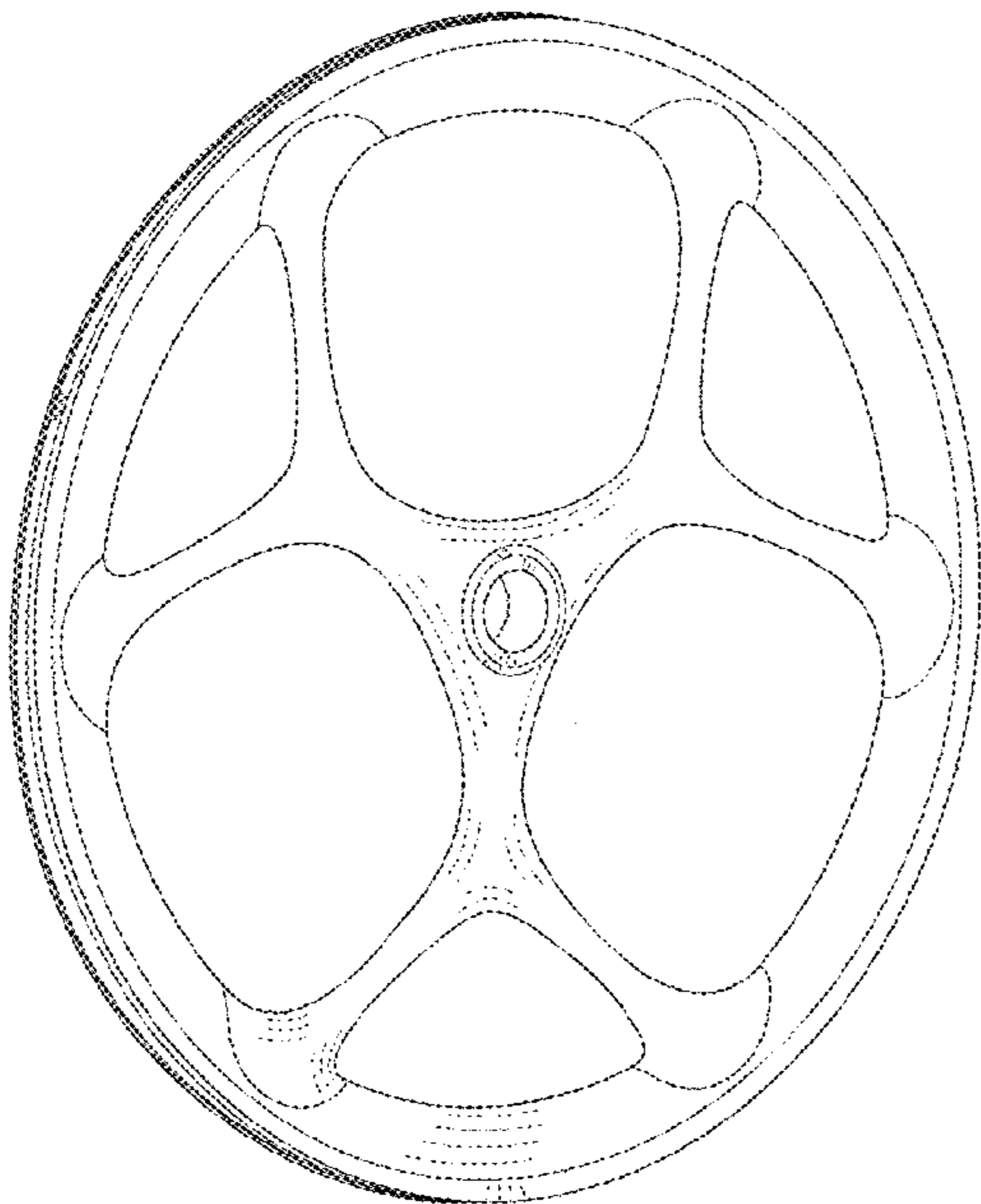
(57) **CLAIM**

The ornamental design for a bicycle wheel, as shown and described.

DESCRIPTION

FIG. 1 is a perspective view of the bicycle wheel showing my new design;
FIG. 2 is a front view thereof;
FIG. 3 is a back view thereof;
FIG. 4 is a side view thereof;
FIG. 5 is another side view thereof; and,
FIG. 6 is a front view thereof with the bicycle wheel shown in its position of use.
The broken line showing the bicycle frame and bicycle wheel in FIG. 6 is included for the purpose of illustrating environment and forms no part of the claimed design.

1 Claim, 5 Drawing Sheets



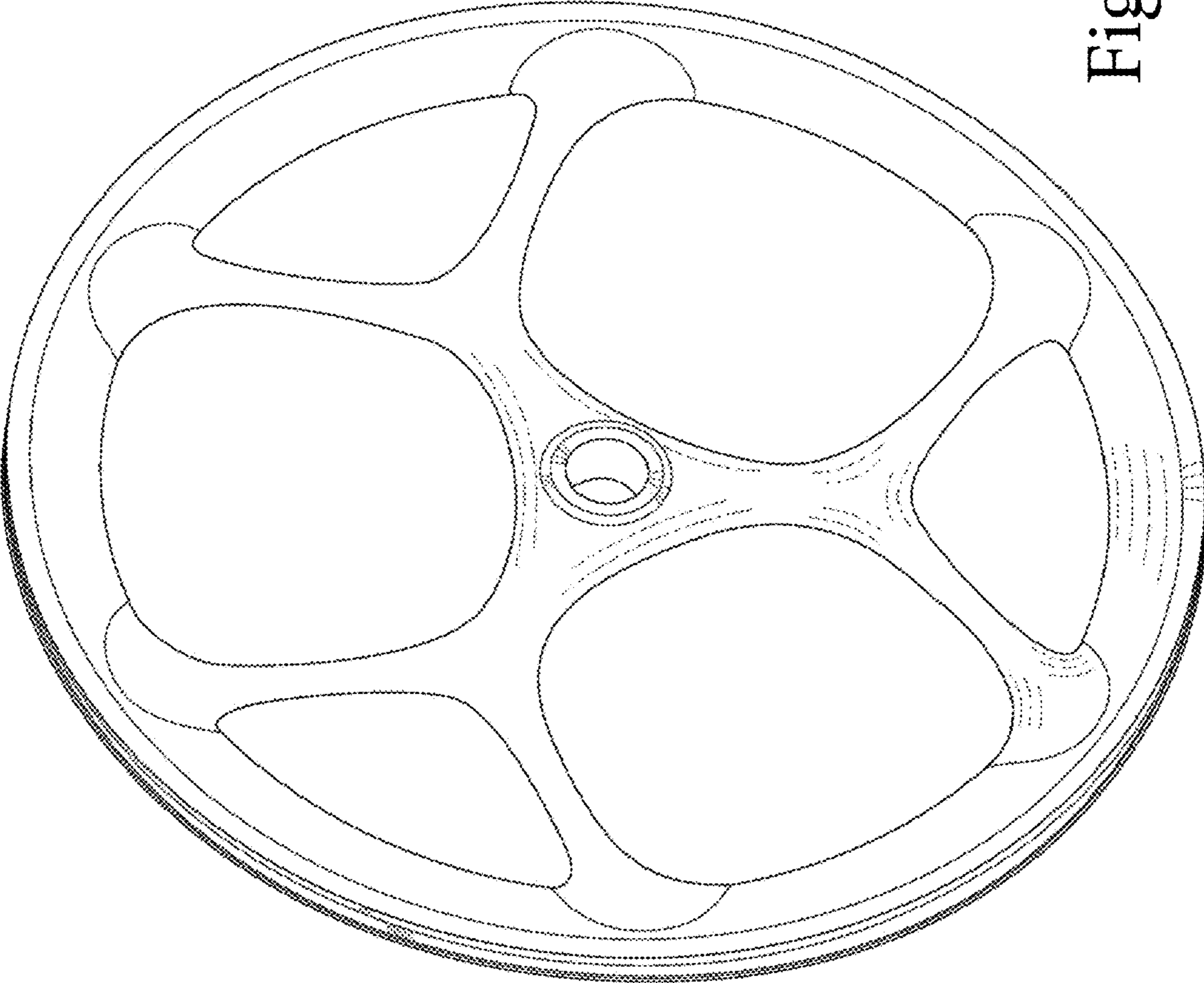


Fig. 1

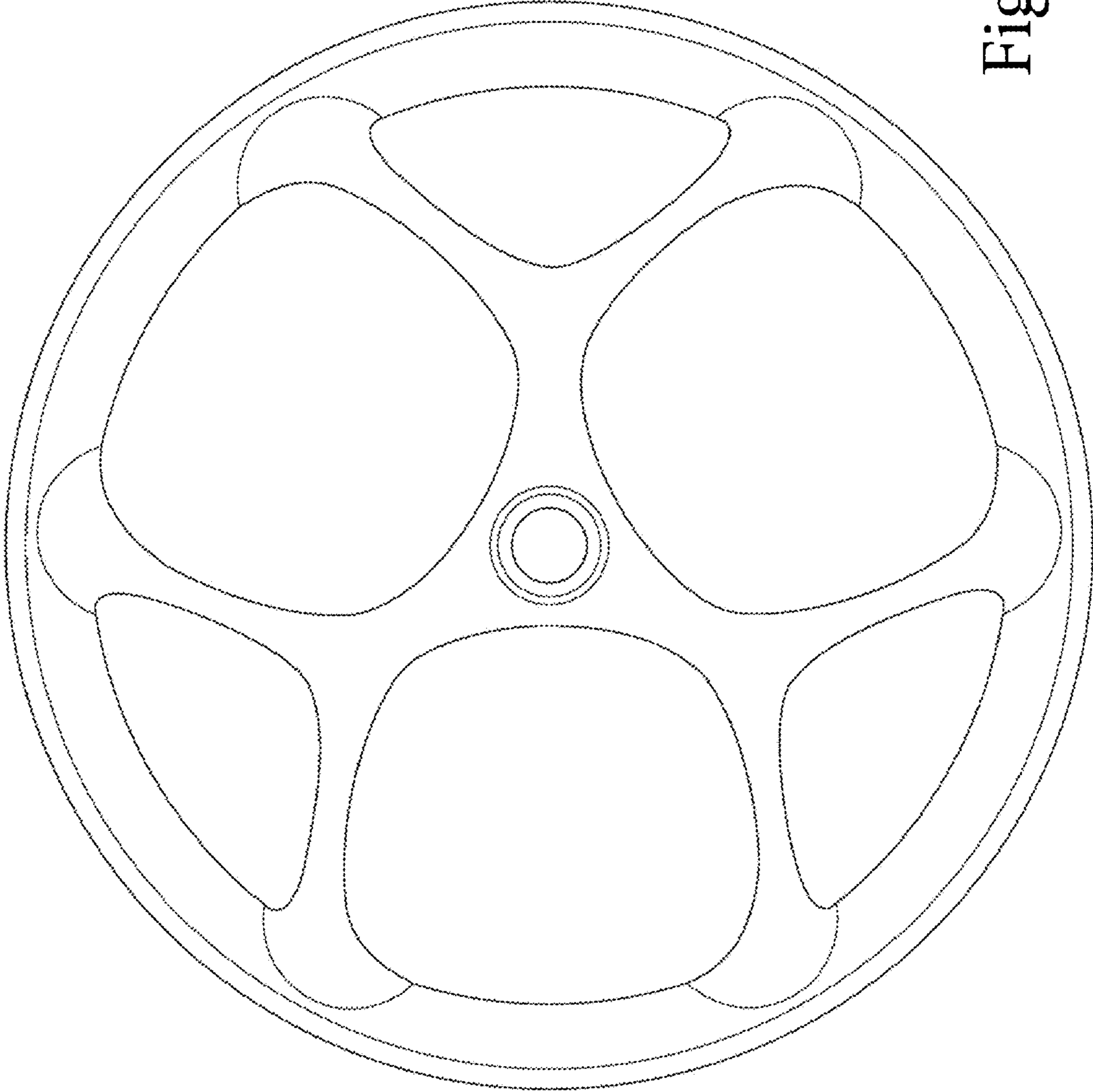


Fig. 2

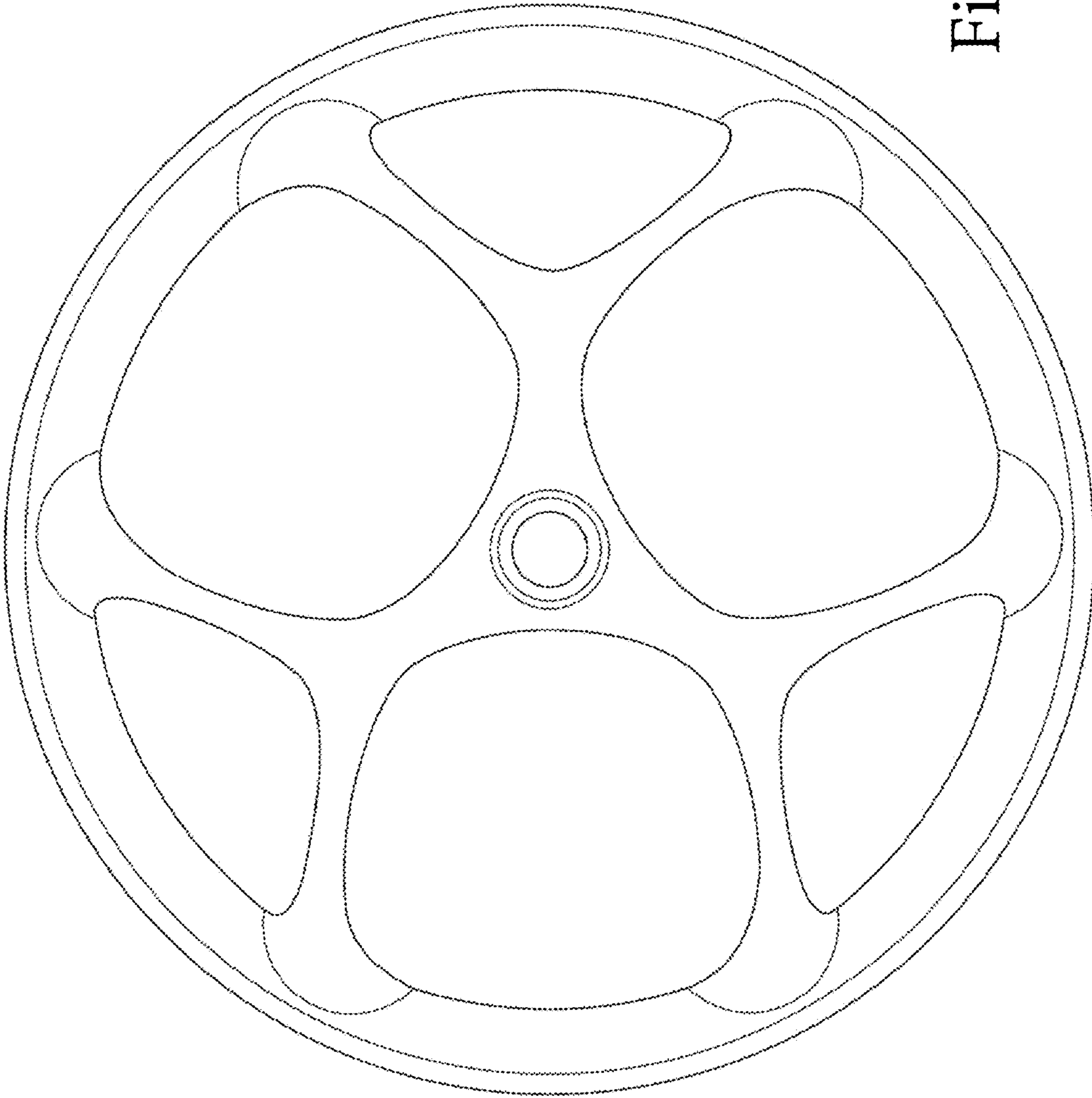


Fig. 3



Fig. 5



Fig. 4

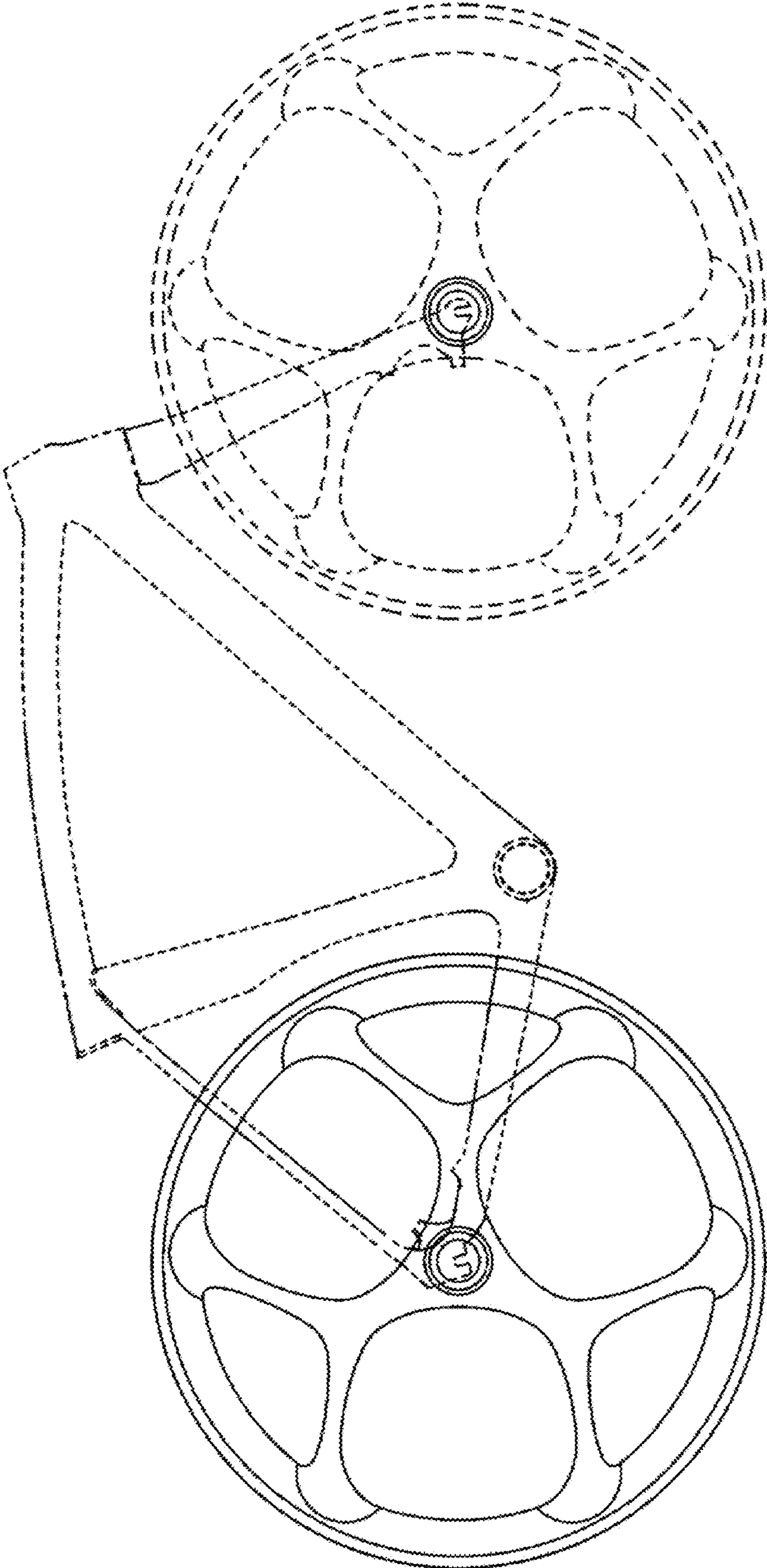


Fig. 6