



US00D732446S

(12) **United States Design Patent**
Tachiiri et al.

(10) **Patent No.:** **US D732,446 S**
(45) **Date of Patent:** **** Jun. 23, 2015**

(54) **OPERATION DEVICE FOR VEHICLE EQUIPMENT**

(71) Applicant: **DENSO CORPORATION**, Kariya, Aichi-pref. (JP)
(72) Inventors: **Motoki Tachiiri**, Nagoya (JP); **Yasuhiko Yamazaki**, Nagoya (JP)
(73) Assignee: **DENSO CORPORATION**, Kariya (JP)

(**) Term: **14 Years**
(21) Appl. No.: **29/469,327**
(22) Filed: **Oct. 9, 2013**

(30) **Foreign Application Priority Data**
Apr. 10, 2013 (JP) 2013-008040
(51) **LOC (10) Cl.** **12-16**
(52) **U.S. Cl.**
USPC **D12/179**
(58) **Field of Classification Search**
USPC D12/174, 179, 400, 606; D14/117.1, D14/117.2, 117.4, 117.9, 412-416, 302; D21/324, 328, 333, 565, 566; D8/303; 74/335, 473.1, 473 R, 475, 489, 502.2, 74/523, 551.8, 551.9; 200/43.17, 61.28, 200/61.91; 340/426.16, 456, 825.69, 340/825.72; 341/173
See application file for complete search history.

(56) **References Cited**
U.S. PATENT DOCUMENTS
D212,728 S * 11/1968 Shimano D12/179
D217,206 S * 4/1970 Schreckengost D12/179
D217,207 S * 4/1970 Schreckengost D12/179
4,818,008 A * 4/1989 Cressoni 296/37.8
(Continued)

FOREIGN PATENT DOCUMENTS
WO WO 2014/16777 10/2014

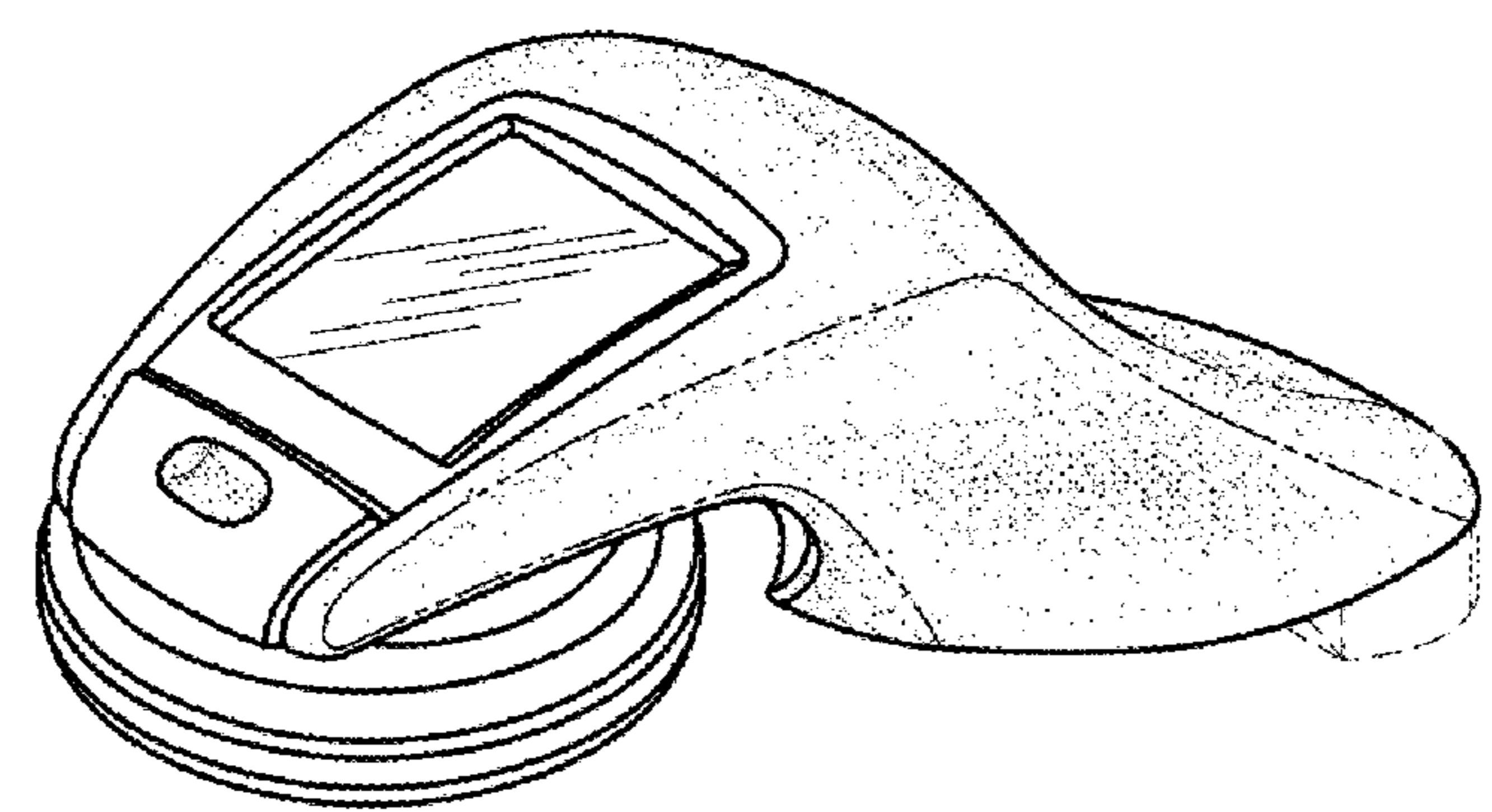
OTHER PUBLICATIONS
U.S. Appl. No. 29/469,323, filed Oct. 9, 2013, Tachiiri et al.
(Continued)

Primary Examiner — Philip S Hyder
Assistant Examiner — Darlington Ly
(74) *Attorney, Agent, or Firm* — Harness, Dickey & Pierce, PLC

(57) **CLAIM**
The ornamental design for an operation device for a vehicle equipment, as shown and described.

DESCRIPTION
FIG. 1 is a front elevation view of an operation device for an operation device for a vehicle equipment showing our new design;
FIG. 2 is a rear elevation view thereof;
FIG. 3 is a top plan view thereof;
FIG. 4 is a bottom plan view thereof;
FIG. 5 is a left side elevation view thereof;
FIG. 6 is a right side elevation view thereof;
FIG. 7 is a front, bottom, and right side perspective view thereof; and,
FIG. 8 is a front, top, and left side perspective view thereof, wherein the operation device is shown in use and attached to a vehicle.
The article of the present design relates to an operation device for a vehicle equipment. For example, the operation device may be attached to a position of a vehicle, and may be used for remotely operating a vehicle equipment such as a navigation device, an air conditioner, various audio devices or the like, as shown in the reference view.
The uniform broken lines shown in the drawings illustrate portions of the operation device for a vehicle equipment that form no part of the claimed design. The broken lines in dash-dot form are provided to indicate the boundaries for a contrast in color of the surface. Neither the dash-dot broken lines nor a particular color are included in the claimed design.

1 Claim, 4 Drawing Sheets



(56)

References Cited

U.S. PATENT DOCUMENTS

5,085,481	A *	2/1992	Fluharty et al.	296/37.8
D340,042	S	10/1993	Copper et al.	
D418,787	S *	1/2000	Sacco et al.	D12/179
D440,917	S *	4/2001	Pfeiffer	D12/179
D567,243	S	4/2008	Ashida et al.	
7,571,663	B2 *	8/2009	Vigil	74/473.3
D618,334	S	6/2010	Le et al.	
D626,517	S	11/2010	Yano	
8,025,327	B1 *	9/2011	Schowalter	296/70
D656,438	S *	3/2012	Klatt et al.	D12/179
8,196,490	B2 *	6/2012	Kim	74/473.11
D685,702	S *	7/2013	Ujimoto	D12/179
D691,217	S	10/2013	Condon et al.	
2006/0037424	A1 *	2/2006	Pickering et al.	74/473.3

OTHER PUBLICATIONS

U.S. Appl. No. 29/469,321, filed Oct. 9, 2013, Tachiiri et al.
U.S. Appl. No. 29/469,319, filed Oct. 9, 2013, Tachiiri et al.
U.S. Appl. No. 29/469,318, filed Oct. 9, 2013, Tachiiri et al.

U.S. Appl. No. 29/469,317, filed Oct. 9, 2013, Tachiiri et al.
Office action dated Jul. 1, 2014 in corresponding U.S. Appl. No. 29/469,323.
Office action dated Jul. 1, 2014 in corresponding U.S. Appl. No. 29/469,318.
Office action dated Jul. 2, 2014 in corresponding U.S. Appl. No. 29/469,321.
Office action dated Jul. 14, 2014 in corresponding U.S. Appl. No. 29/469,319.
Office action dated Jul. 15, 2014 in corresponding U.S. Appl. No. 29/469,317.
Office action dated Nov. 21, 2014 in corresponding U.S. Appl. No. 29/469,323.
Office action dated Nov. 28, 2014 in corresponding U.S. Appl. No. 29/469,321.
Office action dated Nov. 19, 2014 in corresponding U.S. Appl. No. 29/469,319.
Office action dated Nov. 28, 2014 in corresponding U.S. Appl. No. 29/469,318.
Office action dated Dec. 11, 2014 in corresponding U.S. Appl. No. 29/469,317.

* cited by examiner

FIG - 1

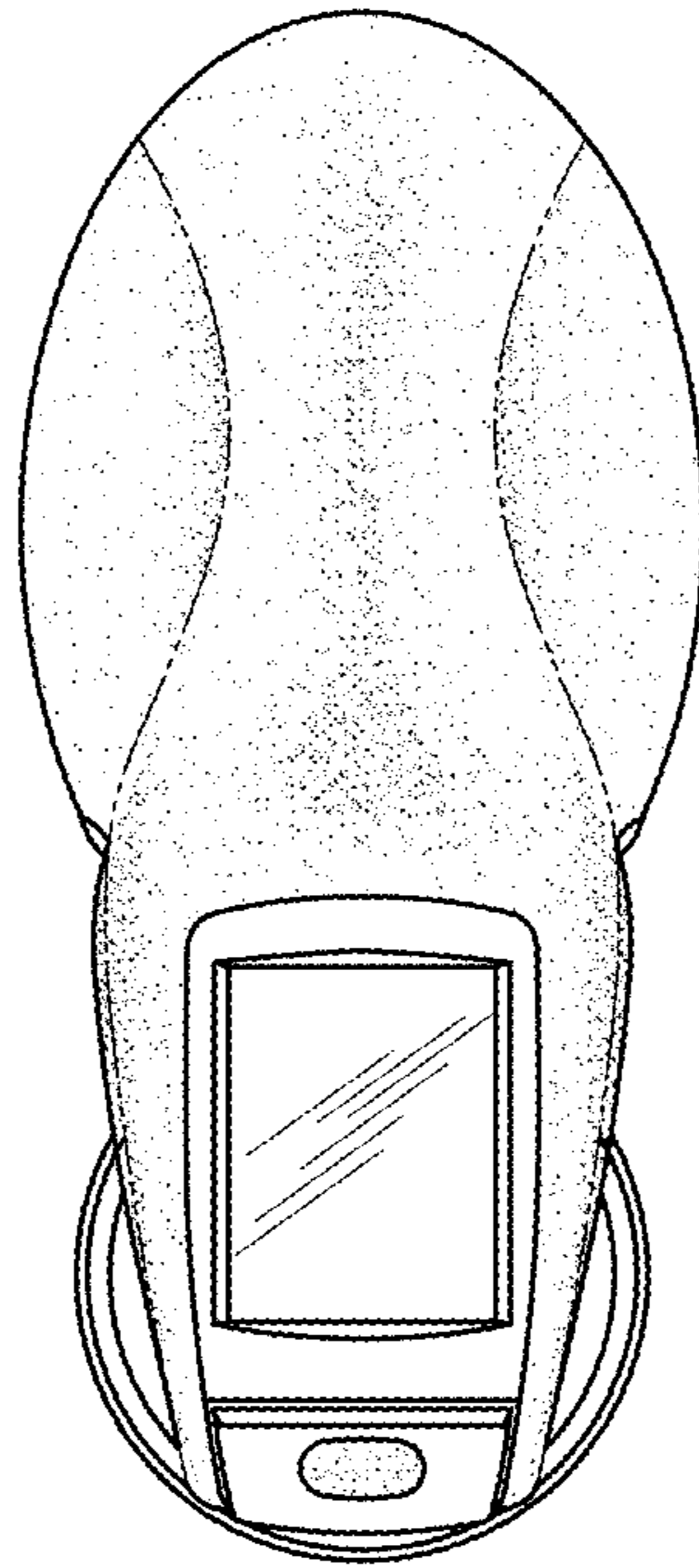


FIG - 2

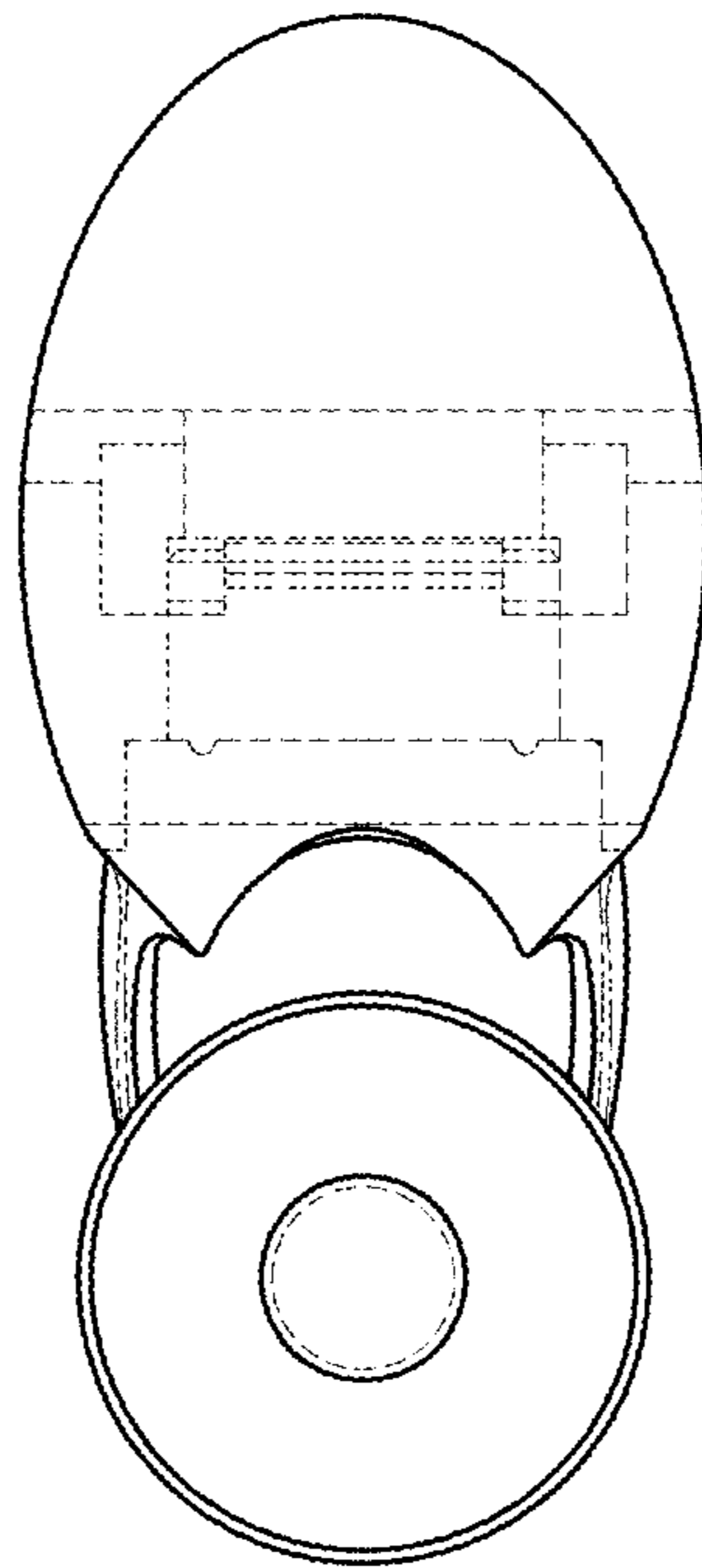


FIG - 3

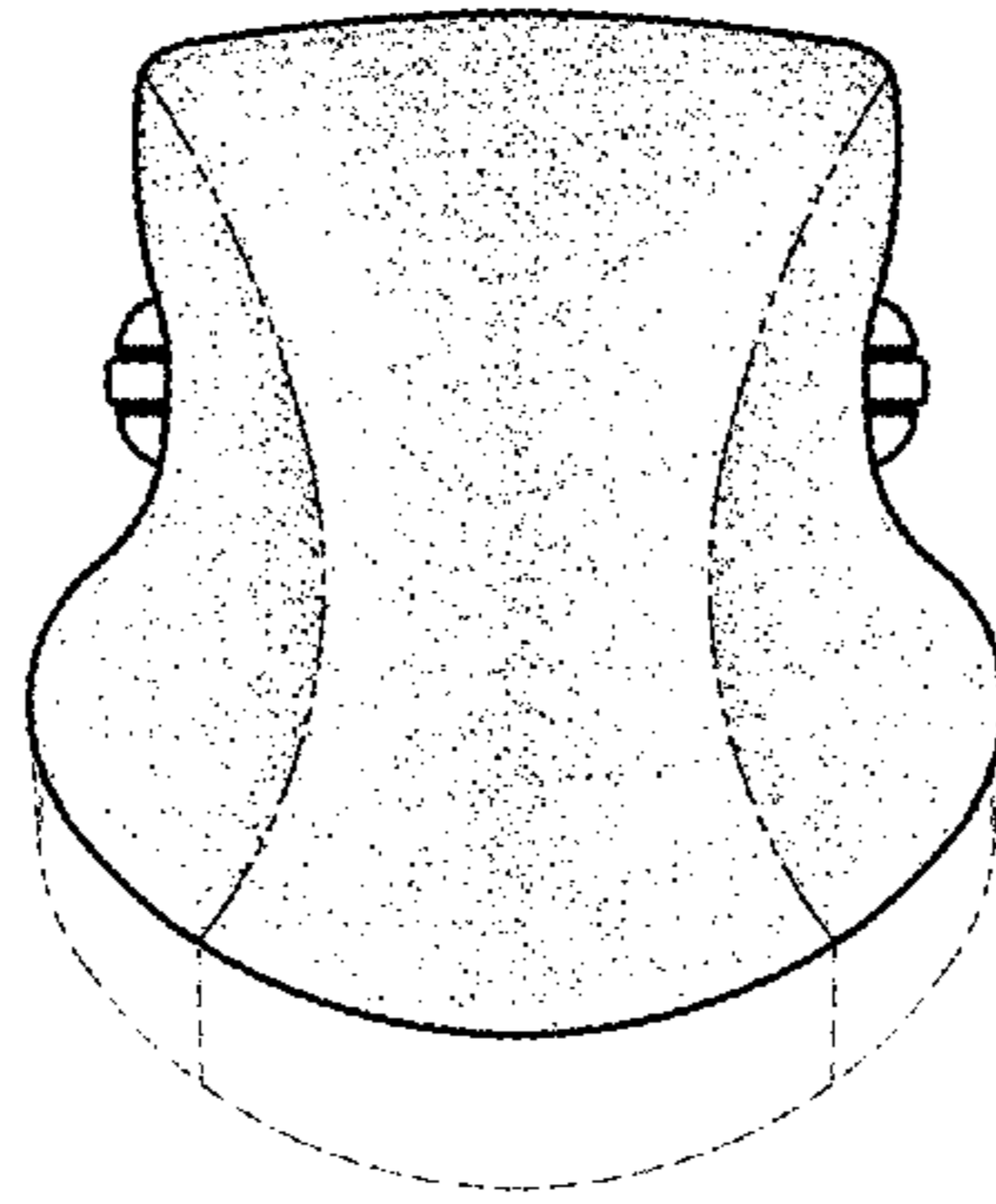


FIG - 4

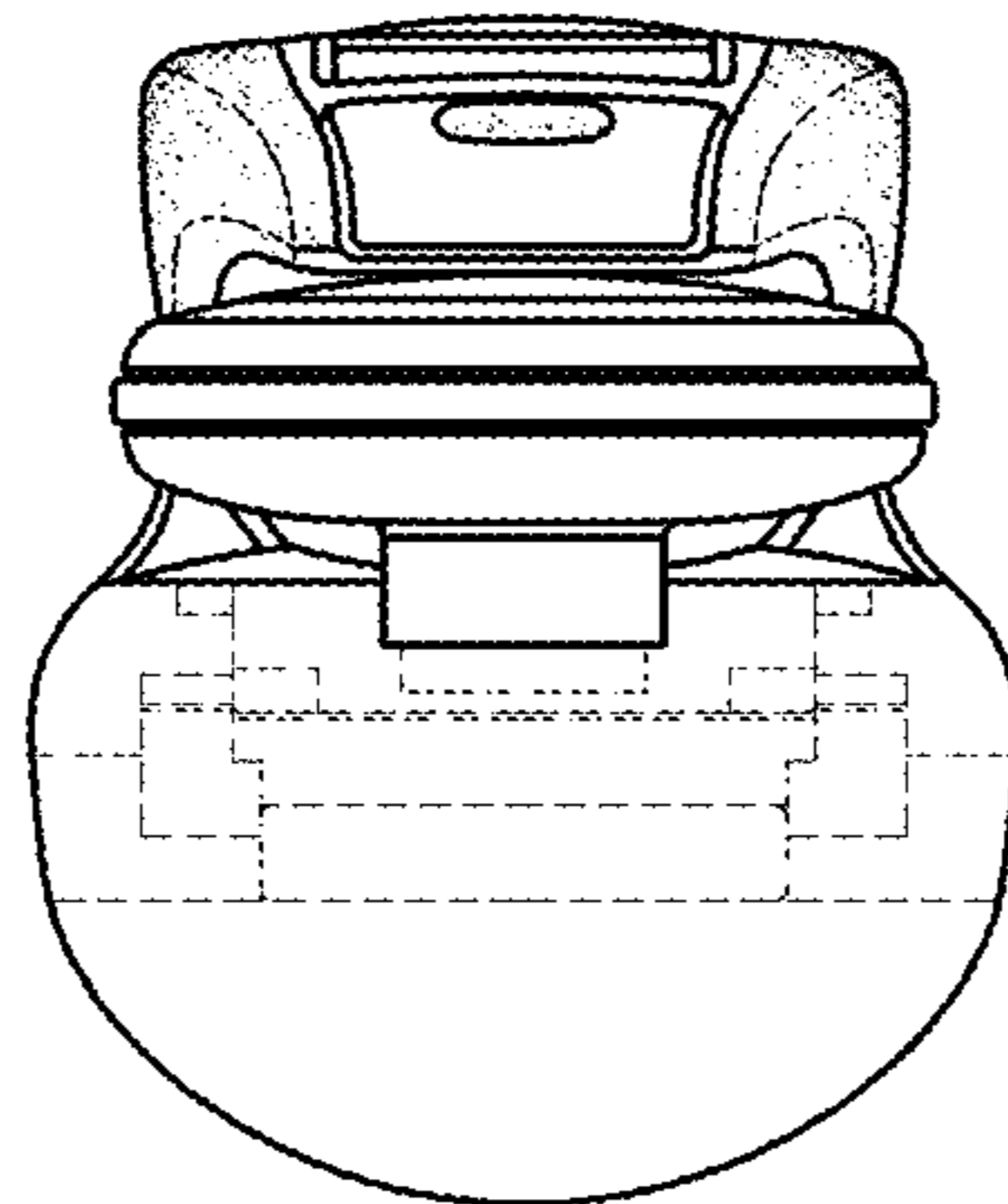


FIG - 5

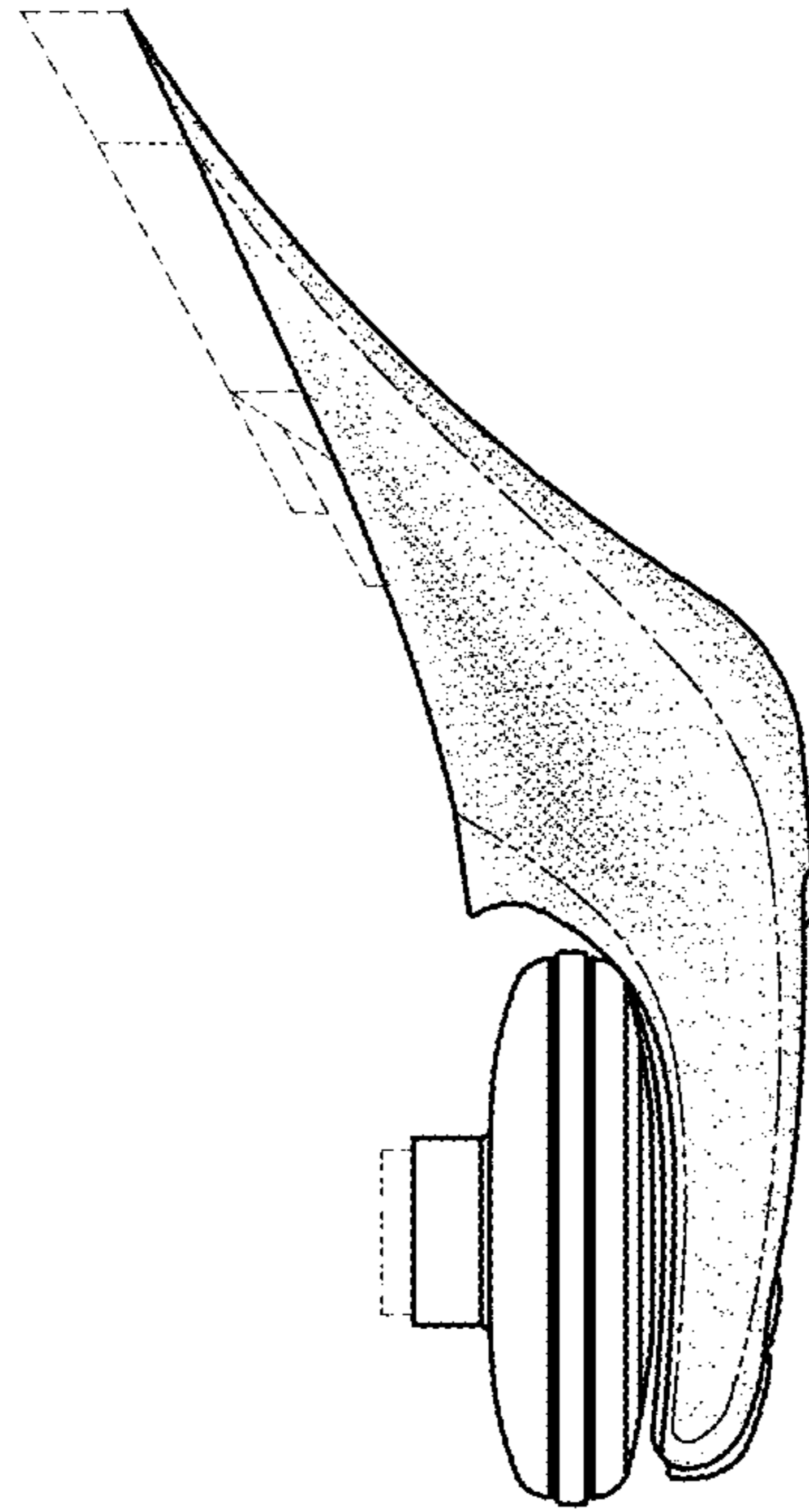


FIG - 6

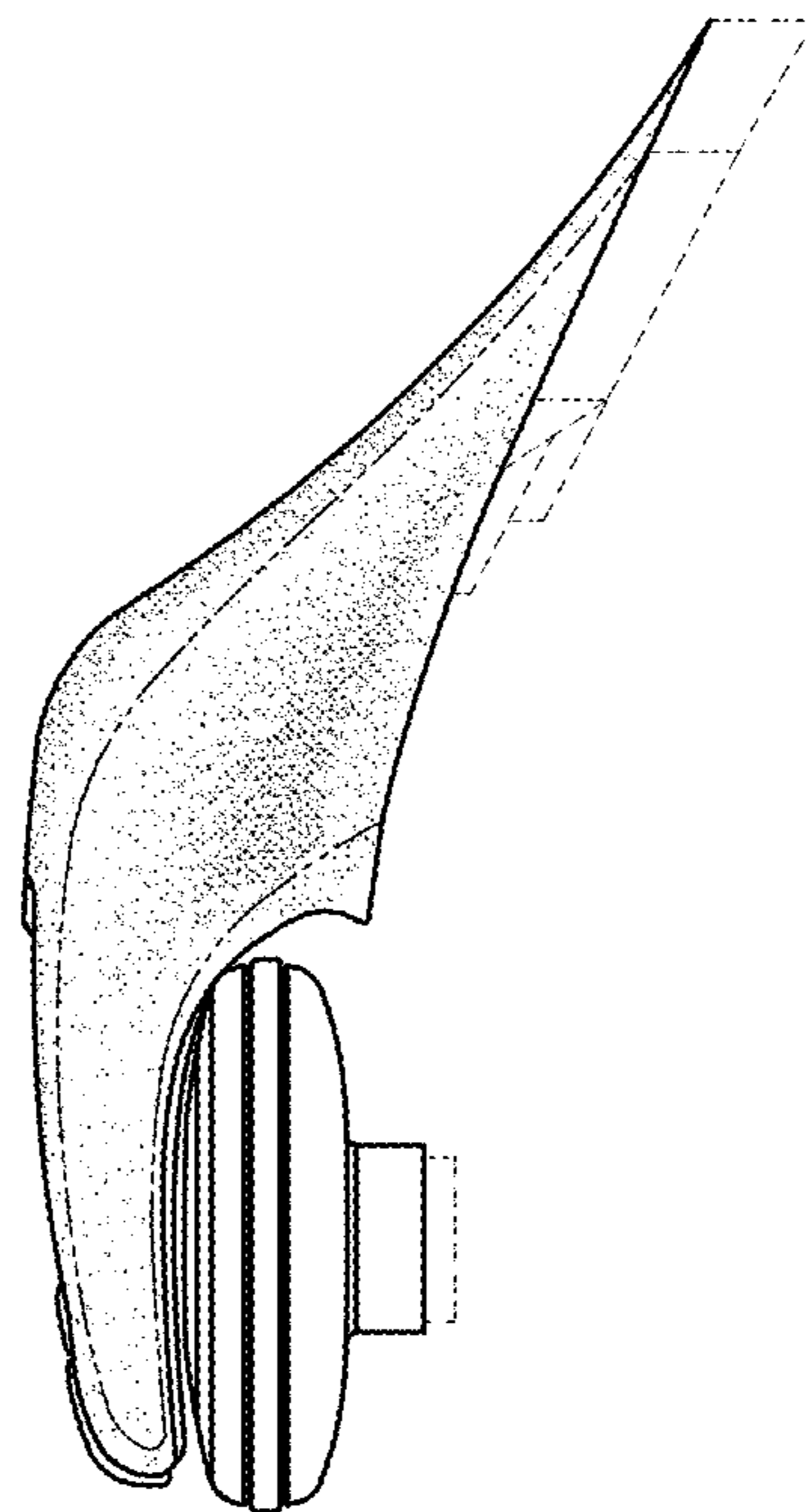


FIG - 7

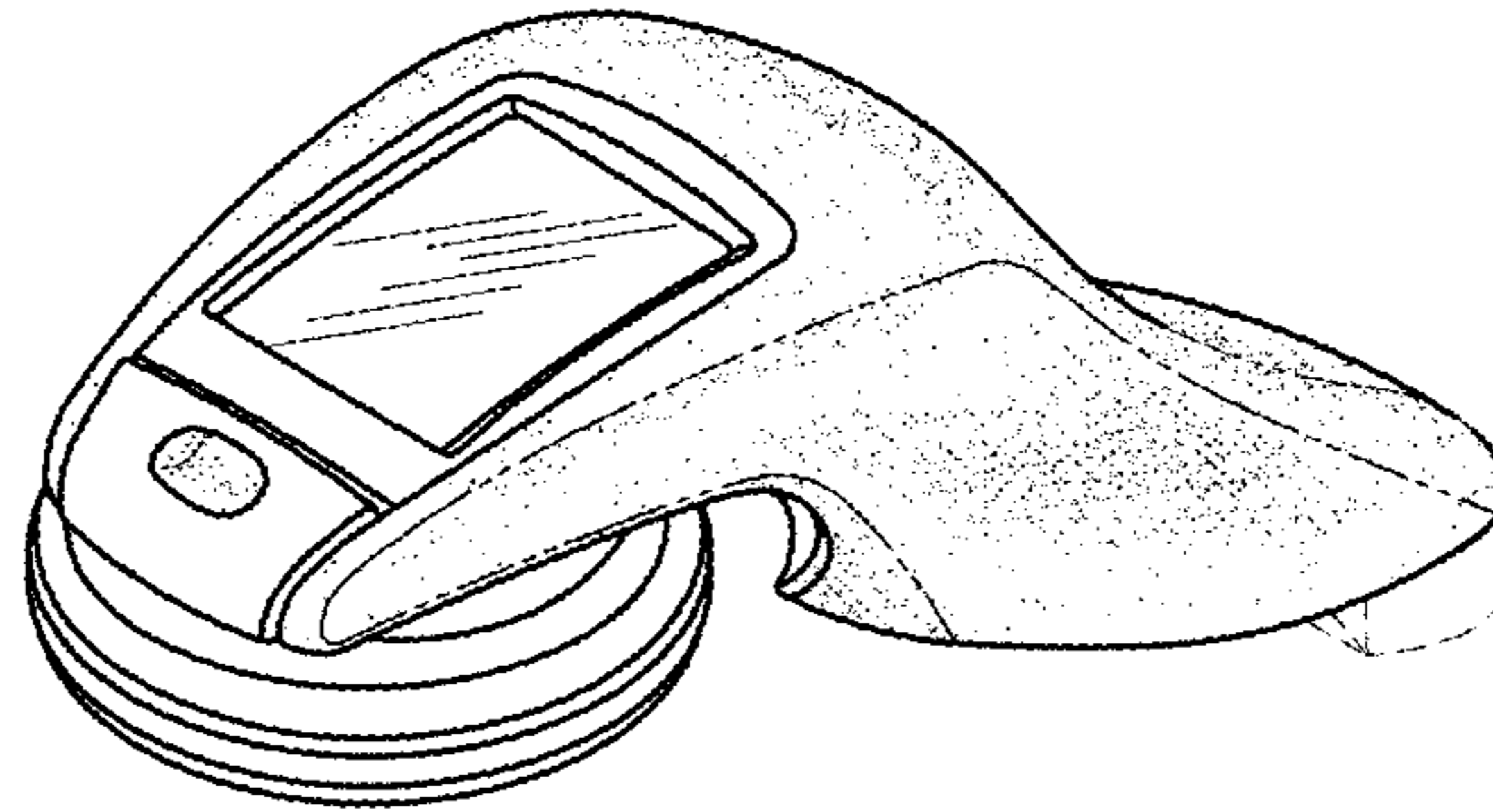


FIG - 8

