



US00D732441S

(12) **United States Design Patent**
Sarajian et al.

(10) **Patent No.:** **US D732,441 S**
(45) **Date of Patent:** **** Jun. 23, 2015**

(54) **HITCH COVER**

(71) Applicant: **Trik Topz**, Cerritos, CA (US)

(72) Inventors: **Kissak T. Sarajian**, Brookfield, WI (US); **Chad M. Cushman**, Racine, WI (US)

(73) Assignee: **Trik Topz**, Cerritos, CA (US)

(**) Term: **14 Years**

(21) Appl. No.: **29/495,869**

(22) Filed: **Jul. 7, 2014**

Related U.S. Application Data

(63) Continuation of application No. 29/431,639, filed on Sep. 10, 2012, now Pat. No. Des. 711,292.

(51) **LOC (10) Cl.** **12-16**

(52) **U.S. Cl.**
USPC **D12/162**

(58) **Field of Classification Search**
USPC D12/162, 159–161; 56/DIG. 14; 37/399; 280/406.2, 407, 407.1, 408, 411.1, 280/416.1, 416.2, 416.3, 418, 418.1, 433, 280/434, 435, 441.1, 441.2, 455.1, 456.1, 280/480, 493, 504, 507, 508; 224/42.11, 224/42.12, 42.14, 42.26, 400, 401, 412, 224/413, 488, 494, 500–501, 519, 537; 135/88.05; 150/166

See application file for complete search history.

(56) **References Cited**

U.S. PATENT DOCUMENTS

5,873,594	A *	2/1999	McCoy et al.	280/491.5
6,010,142	A *	1/2000	McCoy et al.	280/490.1
D475,327	S *	6/2003	McCoy et al.	D12/162
6,896,282	B1 *	5/2005	McKinley	280/495
2005/0067812	A1 *	3/2005	Moss et al.	280/416.1
2007/0187447	A1 *	8/2007	Hamann	224/519

* cited by examiner

Primary Examiner — Katrina A Betton

(74) *Attorney, Agent, or Firm* — Michael Best & Friedrich LLP

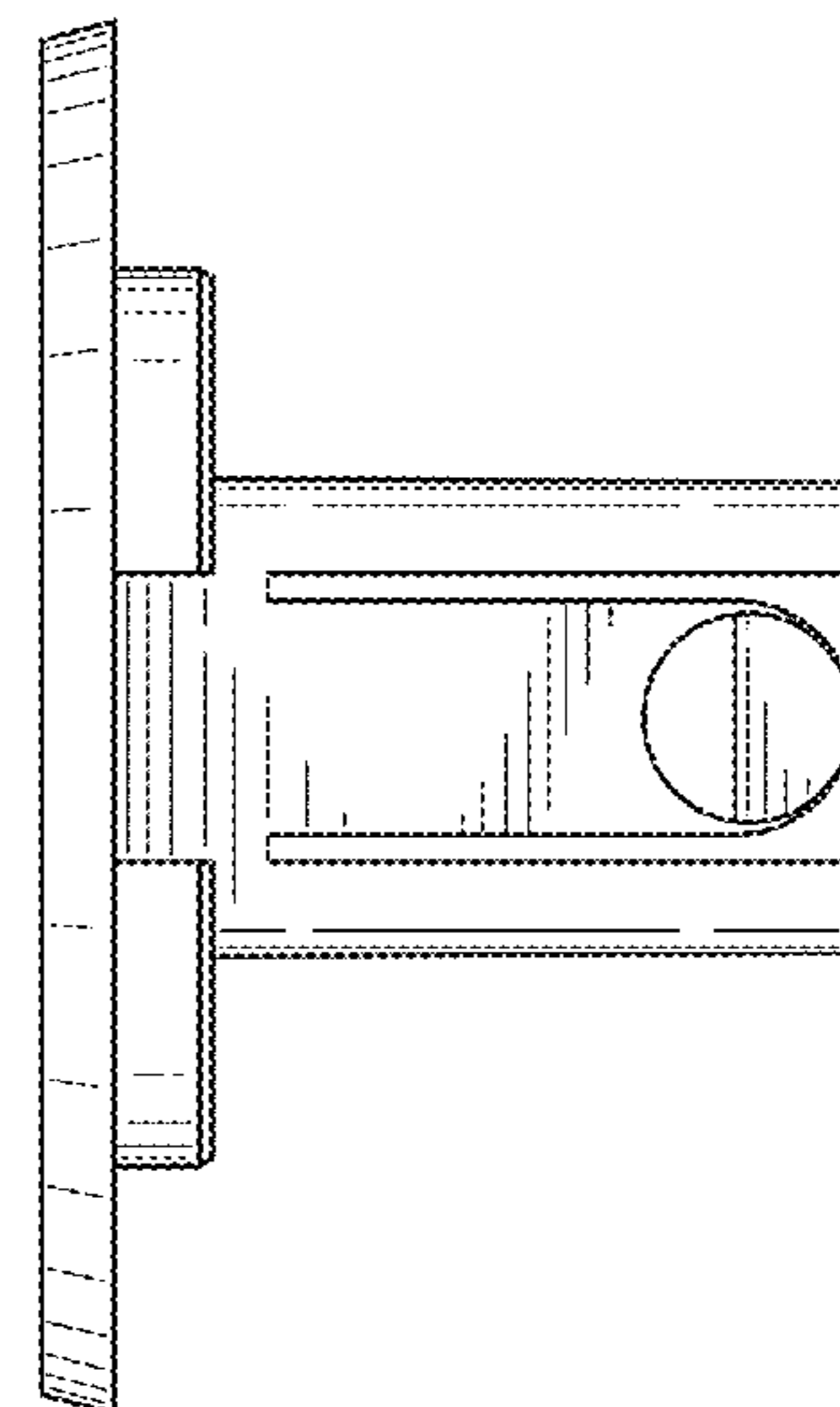
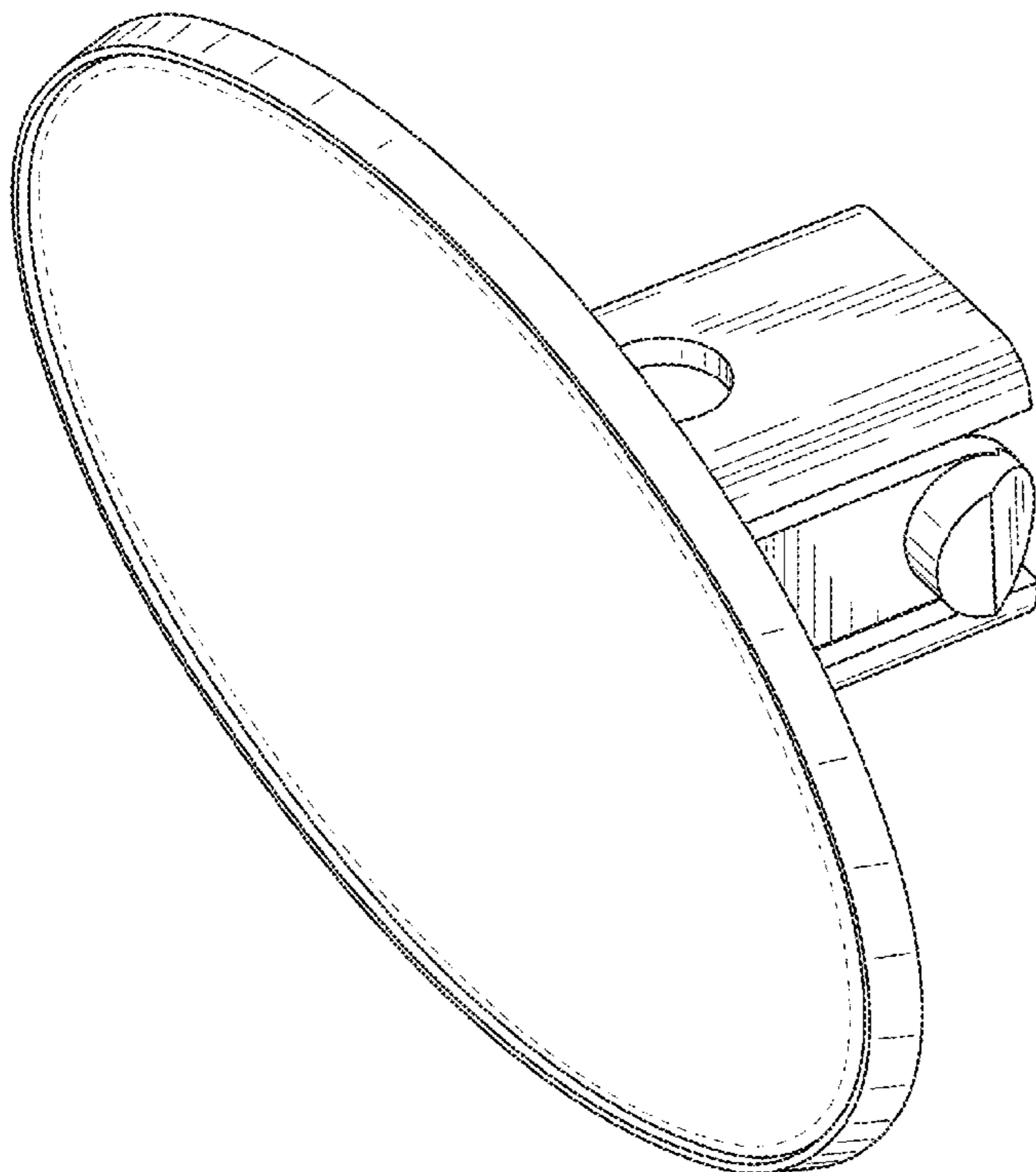
(57) **CLAIM**

We claim the ornamental design for a hitch cover, as shown and described.

DESCRIPTION

FIG. 1 is a perspective view of a hitch cover. FIG. 2 is a front side view of the hitch cover shown in FIG. 1. FIG. 3 is a back side view of the hitch cover shown in FIG. 1. FIG. 4 is a left side view of the hitch cover shown in FIG. 1. FIG. 5 is a right side view of the hitch cover shown in FIG. 1. FIG. 6 is a top view of the hitch cover shown in FIG. 1; and, FIG. 7 is a bottom view of the hitch cover shown in FIG. 1. The elements shown in broken lines are included for the purpose of illustrating environment and form no part of the claimed design.

1 Claim, 3 Drawing Sheets



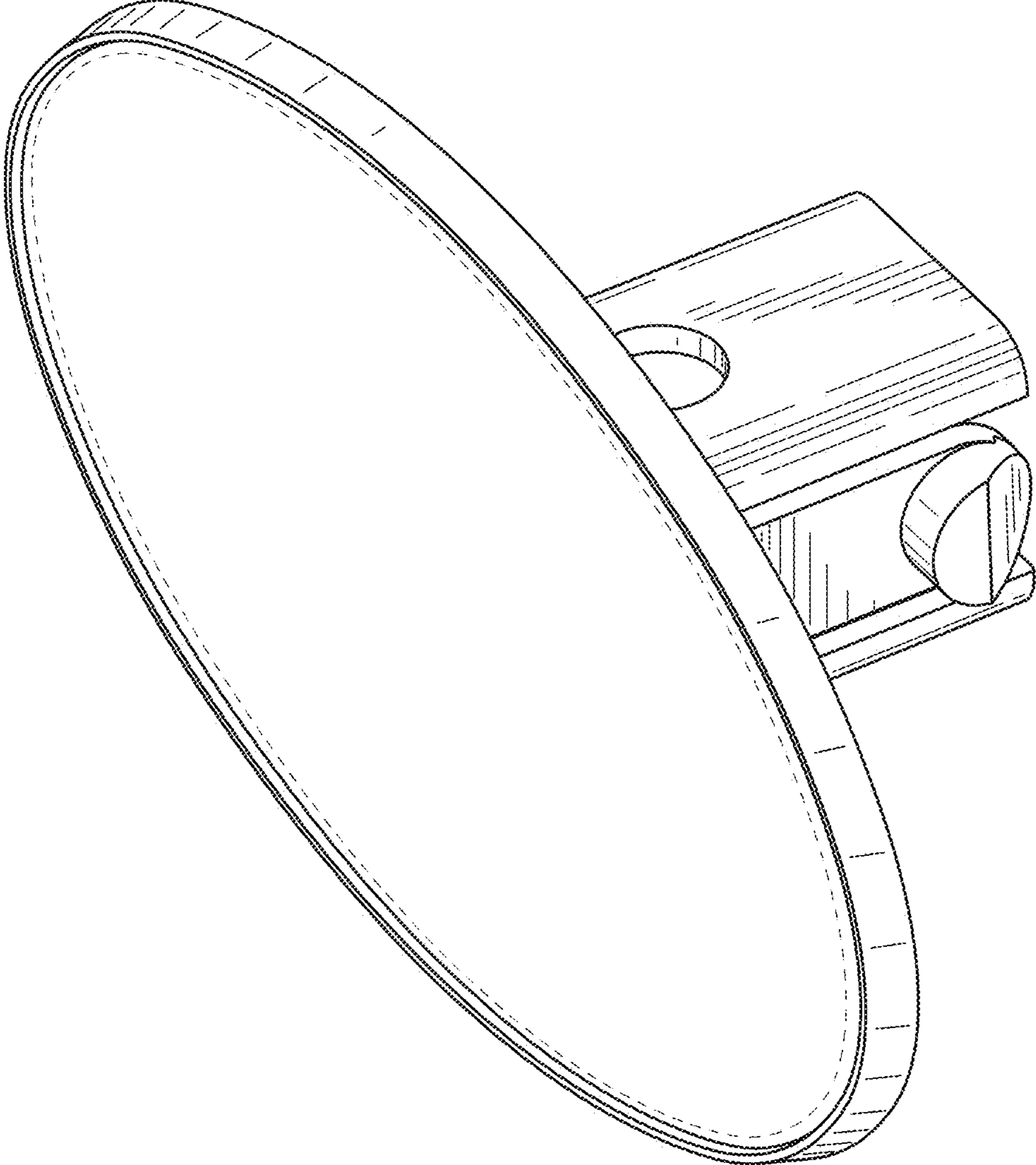


FIG. 1

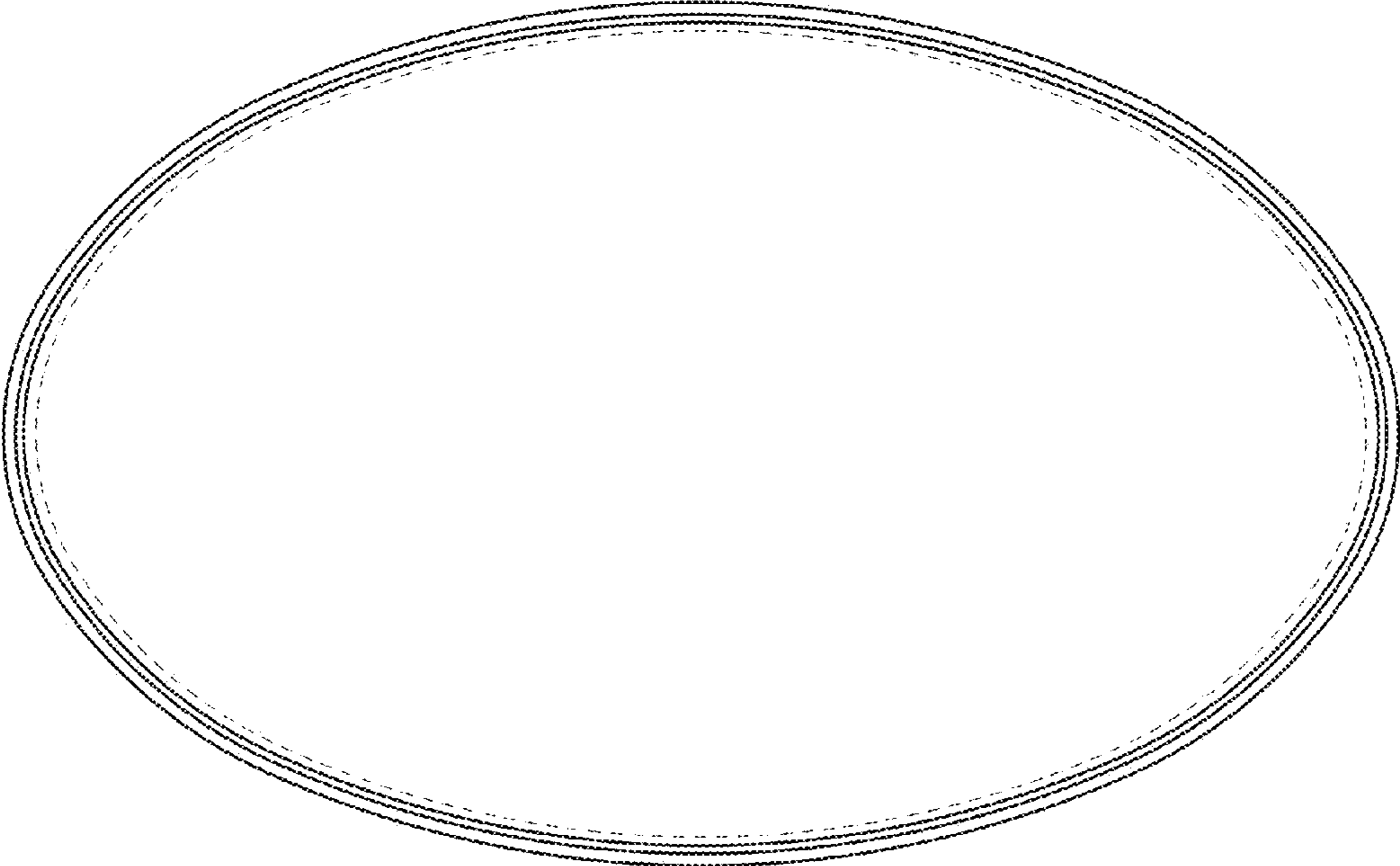


FIG. 2

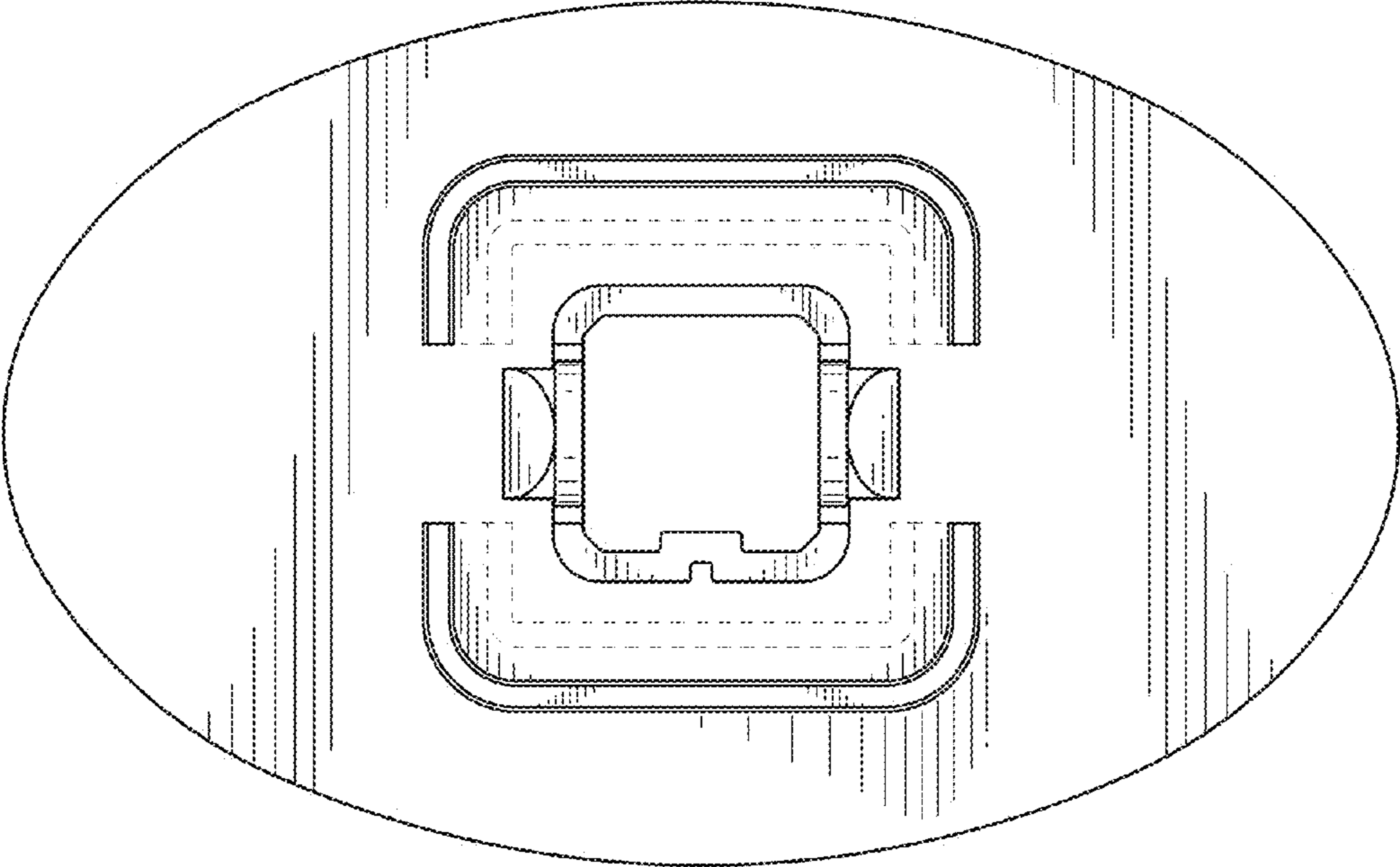


FIG. 3

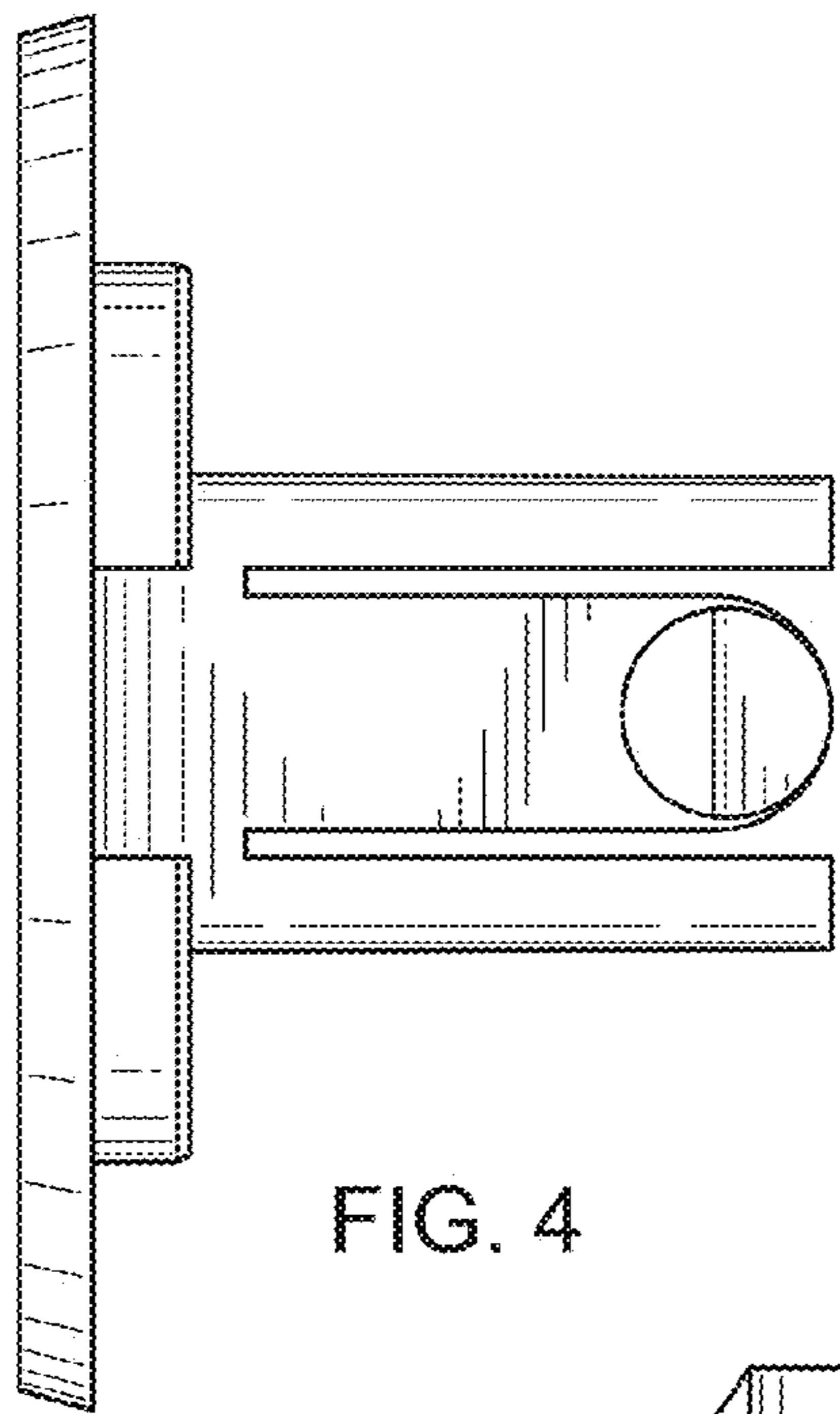


FIG. 4

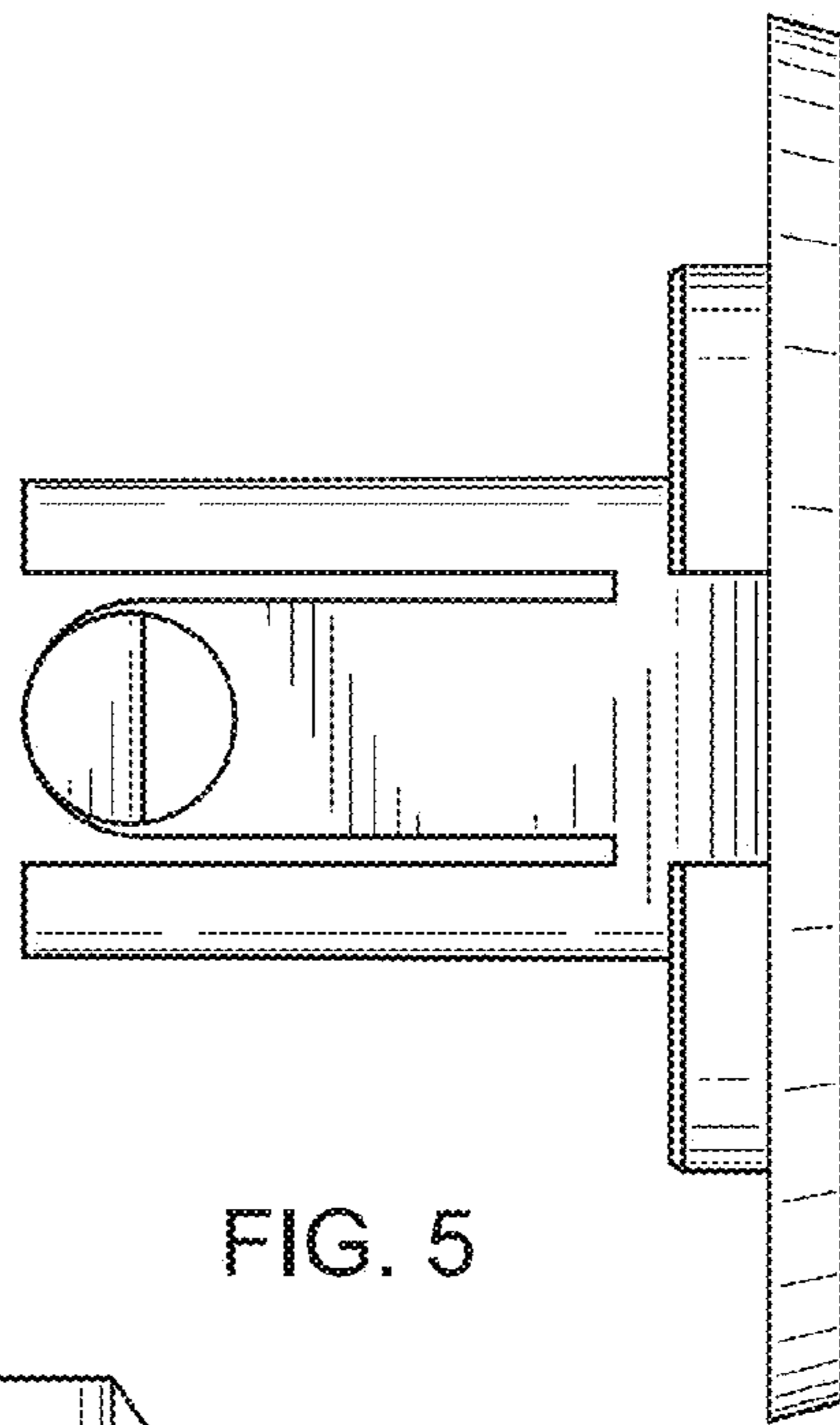


FIG. 5

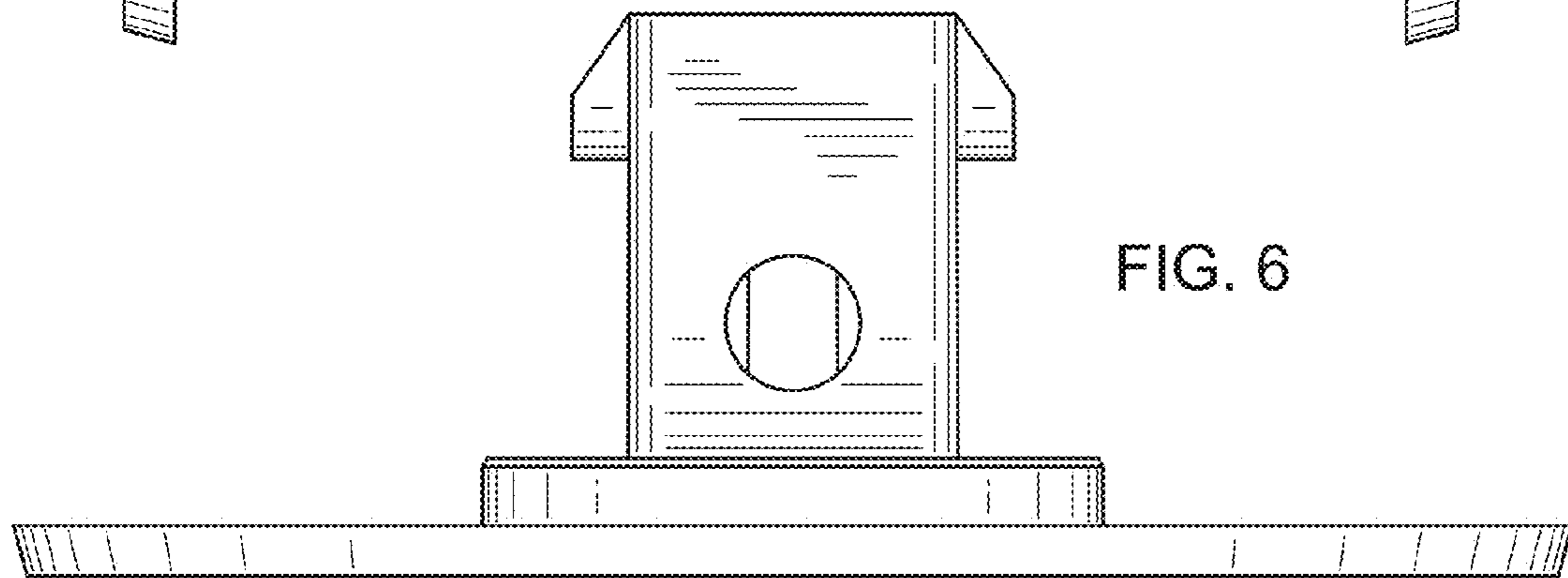


FIG. 6

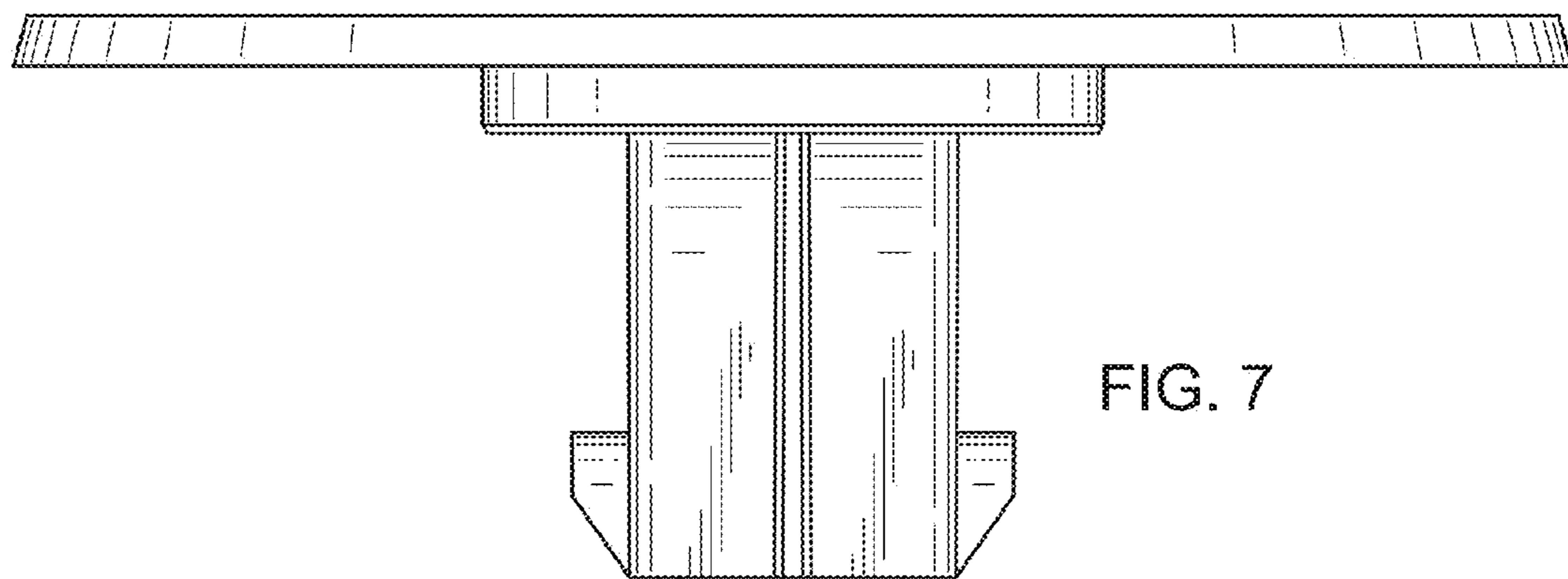


FIG. 7