



US00D732440S

(12) **United States Design Patent**  
**Grake et al.**

(10) **Patent No.:** **US D732,440 S**  
(45) **Date of Patent:** **\*\* Jun. 23, 2015**

(54) **VEHICLE TOW HOOK COVER**

(71) Applicant: **Ford Motor Company**, Dearborn, MI (US)  
(72) Inventors: **James E. Grake**, Beverly Hills, MI (US); **George Bucher**, Dearborn, MI (US); **Michael Smith**, Plymouth, MI (US); **Joel Piaskowski**, West Bloomfield, MI (US)

(73) Assignee: **Ford Motor Company**, Dearborn, MI (US)

(\*\*) Term: **14 Years**

(21) Appl. No.: **29/482,381**

(22) Filed: **Feb. 18, 2014**

(51) **LOC (10) Cl.** ..... **12-12**

(52) **U.S. Cl.**  
USPC ..... **D12/162**

(58) **Field of Classification Search**  
USPC ..... D12/162, 159–161; 56/DIG. 14; 37/399; 280/406.2, 407, 407.1, 408, 411.1, 280/416.1–416.3, 418, 418.1, 433, 434, 280/435, 441.1, 441.2, 455.1, 456.1, 480, 280/493, 504, 507, 508; 224/42.11, 42.12, 224/42.14, 42.26, 400, 401, 412, 413, 488, 224/494, 500–501, 519, 537; 135/88.05; 150/166

See application file for complete search history.

(56) **References Cited**

U.S. PATENT DOCUMENTS

D576,085 S *	9/2008	Devlin	.....	D12/162
D591,208 S *	4/2009	Wubker, Jr.	.....	D12/162
D612,775 S *	3/2010	Davis	.....	D12/162
D620,403 S *	7/2010	Blankenship et al.	.....	D12/162
D628,128 S *	11/2010	Sanders et al.	.....	D12/162
D688,168 S *	8/2013	Buschman	.....	D12/162
D698,286 S *	1/2014	Mason	.....	D12/162
D698,287 S *	1/2014	Terpsma	.....	D12/162

\* cited by examiner

*Primary Examiner* — Katrina A Betton

(74) *Attorney, Agent, or Firm* — Damian Porcari

(57) **CLAIM**

The ornamental design for a vehicle tow hook cover, as shown and described.

**DESCRIPTION**

FIG. 1 is a perspective view of a left vehicle tow hook cover (the right vehicle tow hook cover being a mirror image and is not shown);

FIG. 2 is another perspective view thereof;

FIG. 3 is a front elevational view thereof;

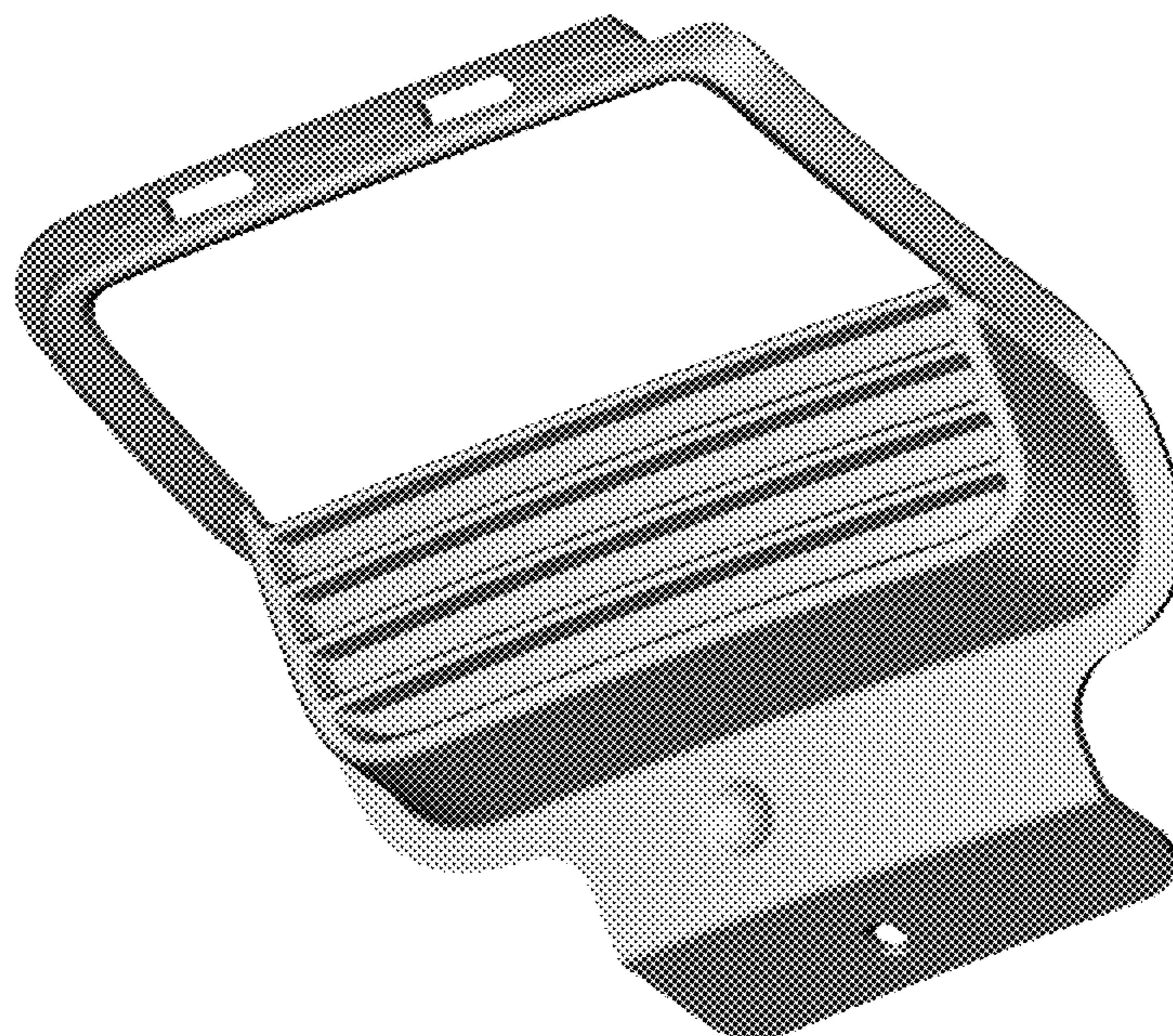
FIG. 4 is a left side elevational view thereof;

FIG. 5 is a right side elevational view thereof;

FIG. 6 is a top plan view thereof; and,

FIG. 7 is a bottom plan view thereof.

**1 Claim, 7 Drawing Sheets**



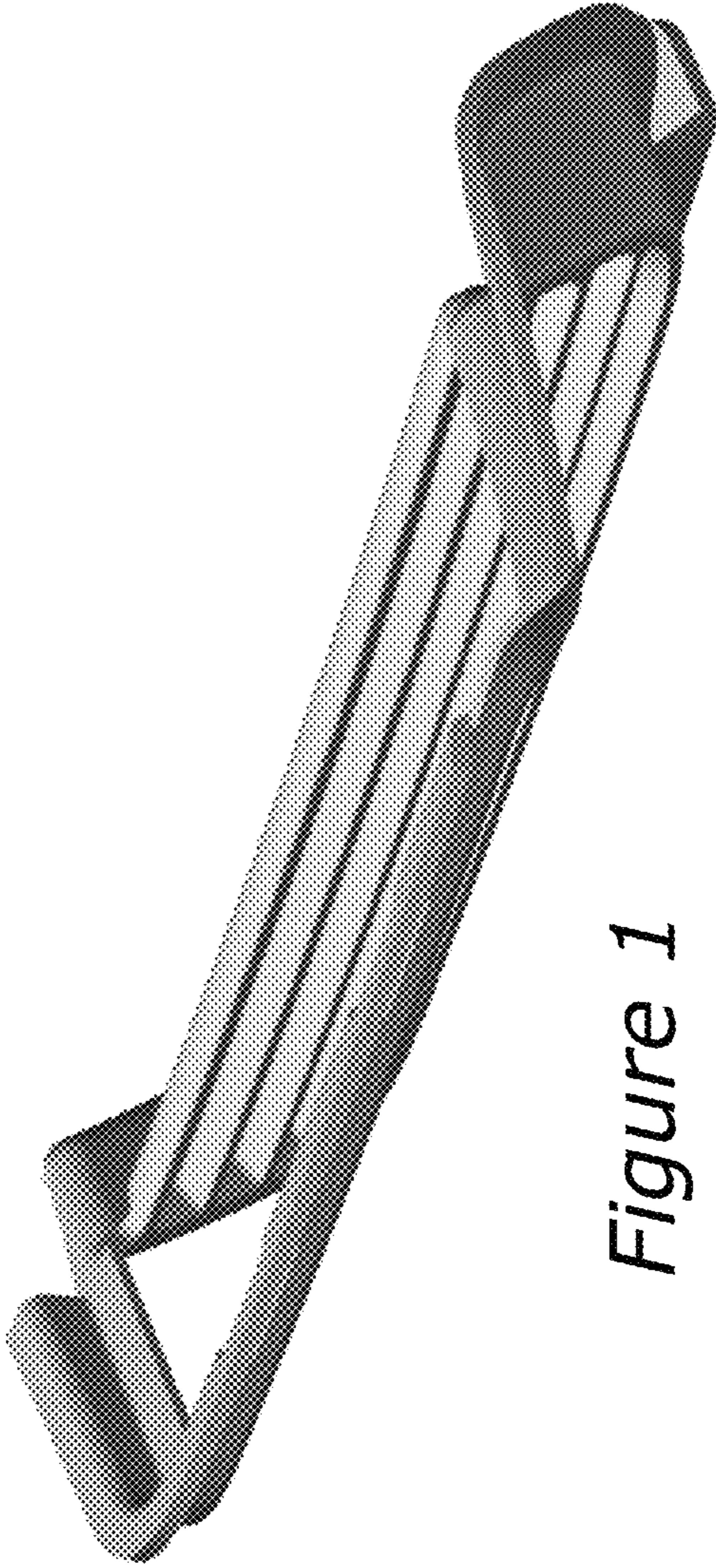


Figure 1



Figure 2

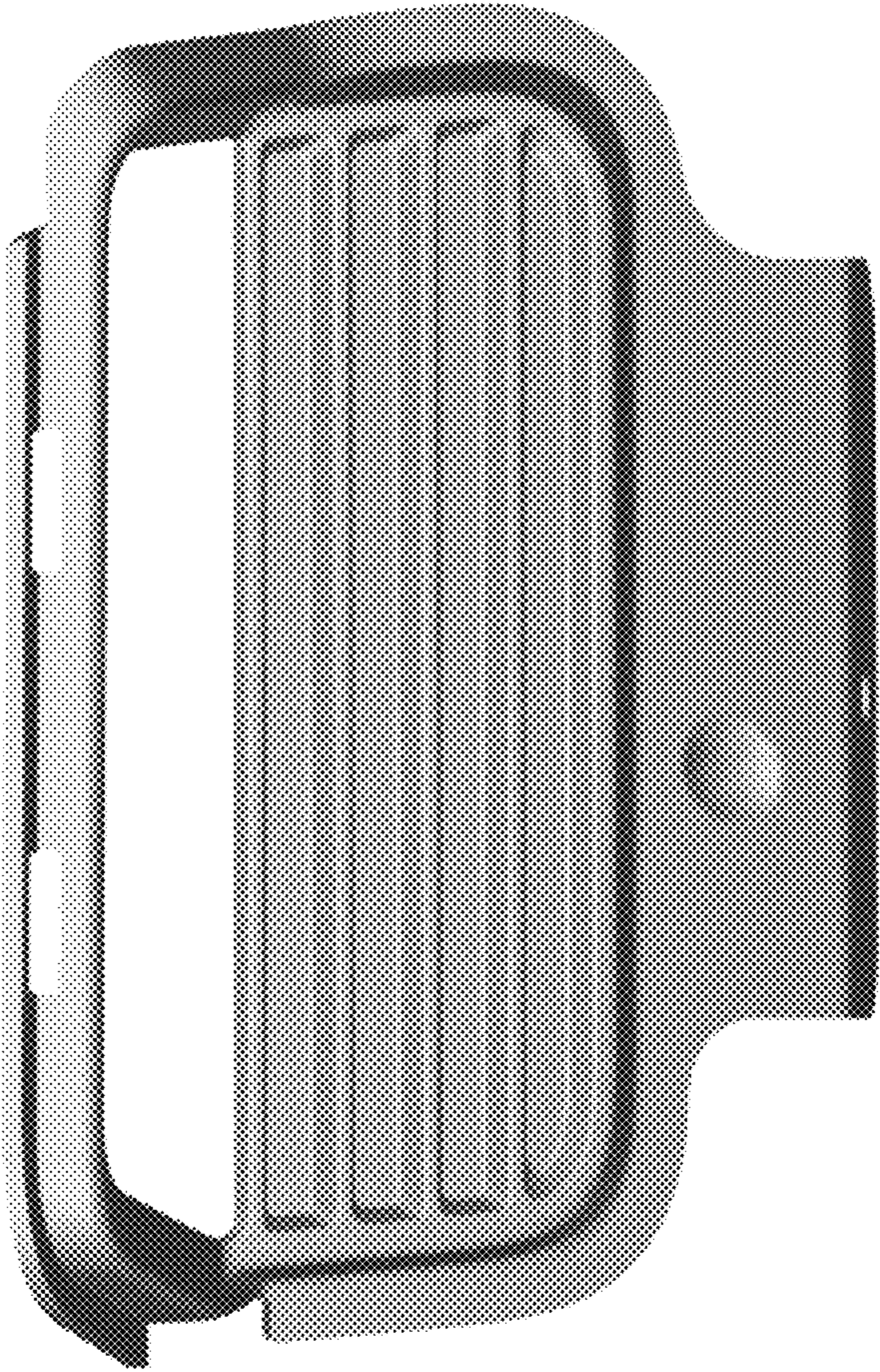


Figure 3

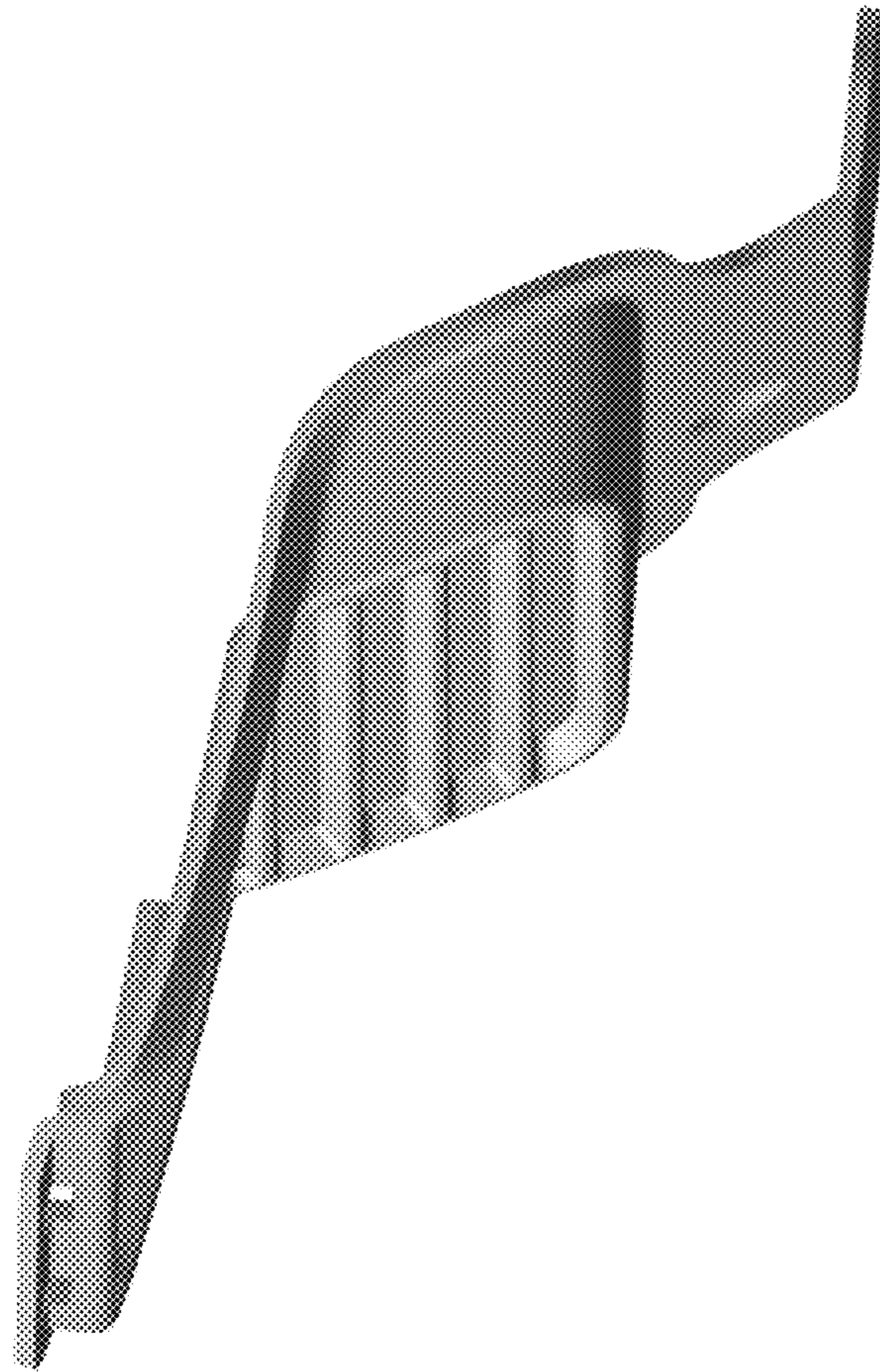


Figure 4

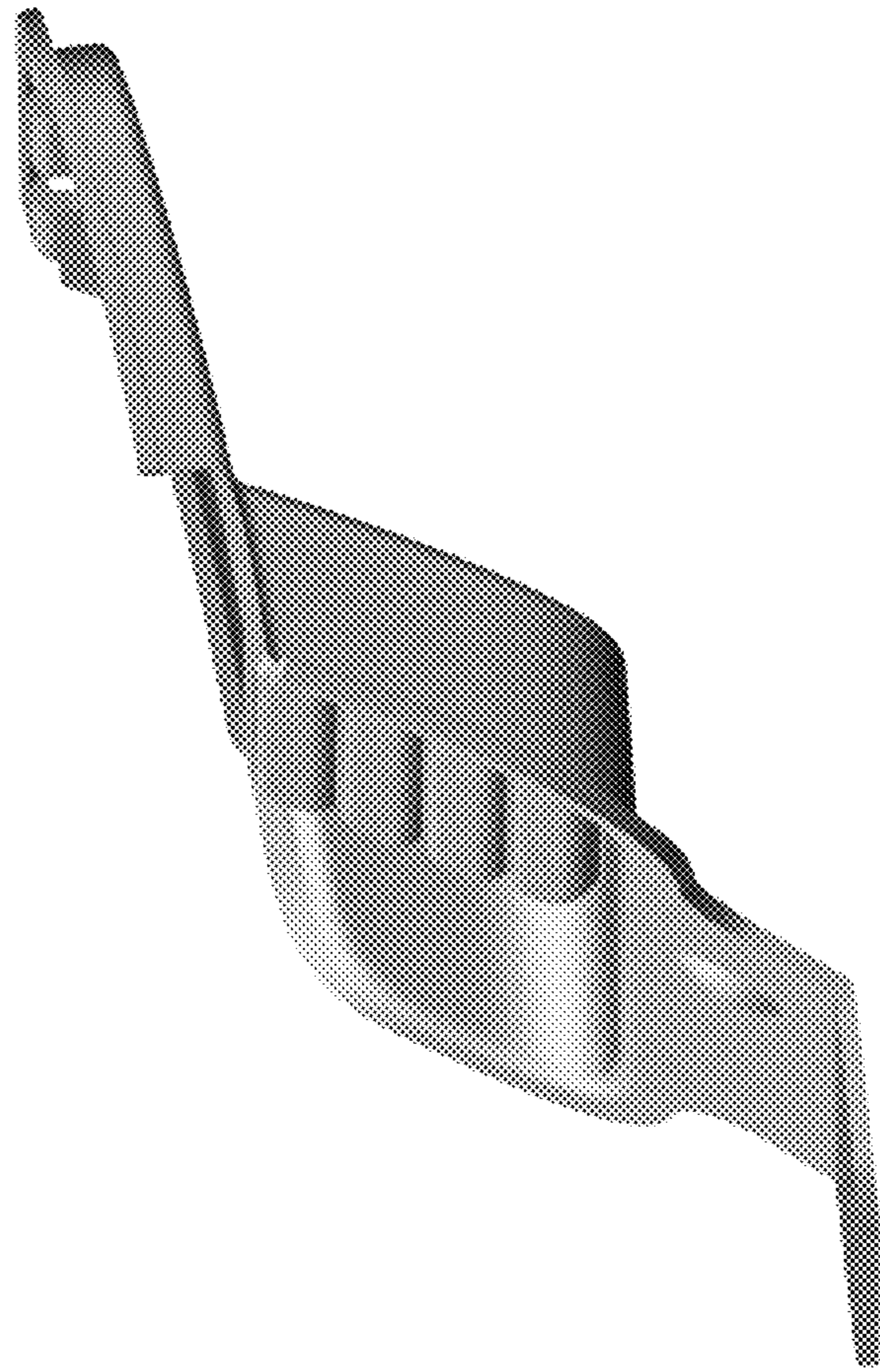


Figure 5



Figure 6

Figure 7

