

US00D732439S

(12) **United States Design Patent**
Childs et al.

(10) **Patent No.:** **US D732,439 S**
(45) **Date of Patent:** **** Jun. 23, 2015**

(54) **WHEELCHAIR ARMRESTS**
(71) Applicants: **Stryker Corporation**, Kalamazoo, MI (US); **Michael Graves Design Group, Inc.**, Princeton, NJ (US)

1,856,297 A 5/1932 Marie et al.
2,591,246 A 4/1952 Everest et al.
2,609,864 A 9/1952 Gates, Jr.
2,746,527 A 5/1956 Liebich
2,841,208 A 7/1958 Duke

(Continued)

(72) Inventors: **William Dwight Childs**, Plainwell, MI (US); **Anish Paul**, Portage, MI (US); **Steven Lee Birman**, Ostego, MI (US); **Michael E. Graves**, Princeton, NJ (US); **Donald S. Strum**, Princeton, NJ (US); **Robert B. Van Varick**, Yardley, PA (US); **Joseph A. McCarry**, Princeton, NJ (US)

Primary Examiner — Ian Simmons

Assistant Examiner — Charles Hanson

(74) *Attorney, Agent, or Firm* — Warner Norcross & Judd LLP

(73) Assignee: **Stryker Corporation**, Kalamazoo, MI (US)

(57) **CLAIM**

The ornamental design for the wheelchair armrests, as shown and described.

(**) Term: **14 Years**

DESCRIPTION

(21) Appl. No.: **29/486,309**

(22) Filed: **Mar. 28, 2014**

Related U.S. Application Data

(62) Division of application No. 29/428,117, filed on Jul. 26, 2012, now Pat. No. Des. 705,134.

(51) **LOC (10) Cl.** **12-12**

(52) **U.S. Cl.**
USPC **D12/133; D6/716.2**

(58) **Field of Classification Search**
USPC D12/128-133; 280/62, 647-650, 29, 280/200, 47.38, 250.1, 259, 642, 658, 280/304.1; 128/99.1, 100.1, 102.1, 876, 128/877; D6/334, 344, 364-366, 716.2, D6/716.3; 297/411.2

See application file for complete search history.

(56) **References Cited**

U.S. PATENT DOCUMENTS

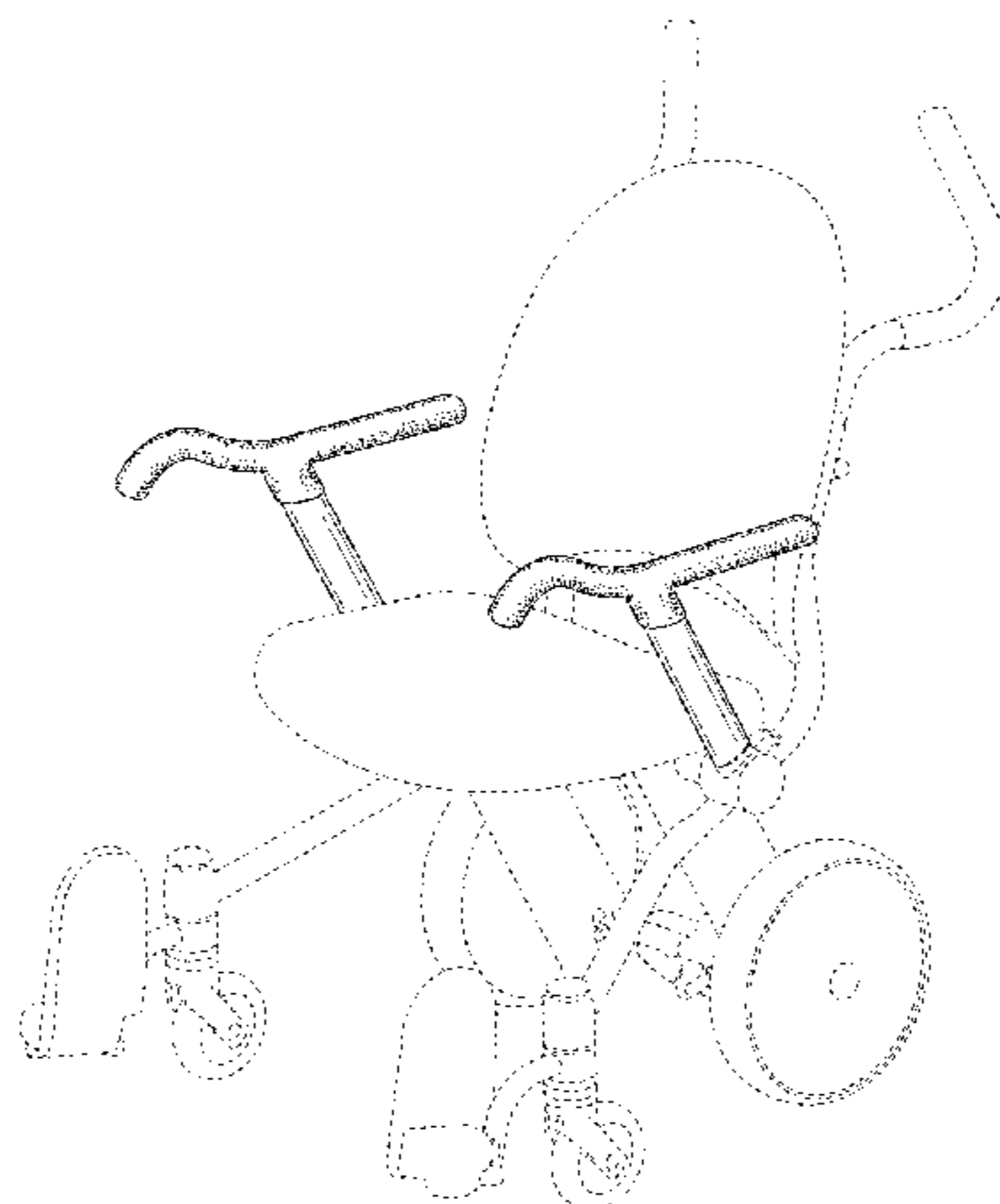
371,373 A 10/1887 Scarritt
902,092 A 10/1908 Latimer

FIG. 1 is a rear perspective view of the wheelchair armrests of the present invention;
FIG. 2 is a front perspective view of the wheelchair armrests of FIG. 1;
FIG. 3 is a rear elevation view of the wheelchair armrests of FIG. 1;
FIG. 4 is a left side elevation view of the wheelchair armrests of FIG. 1, which is a mirror image of the right side elevation view;
FIG. 5 is a front elevation view of the wheelchair armrests of FIG. 1;
FIG. 6 is a plan view of the wheelchair armrests of FIG. 1;
FIG. 7 is a bottom view of the wheelchair armrests of FIG. 1;
and,
FIG. 8 is a bottom view of the wheelchair armrests of FIG. 1 shown with the unclaimed environment (dashed lines) removed.

The dashed broken lines illustrate the environment of the designs, while the dot-dash broken lines represent boundary lines of the designs. None of the broken lines form any part of the claimed design.

The broken line bracket in FIG. 8 is included for the purpose of indicating the separate components form a single claimed design and forms no part of the claimed design.

1 Claim, 8 Drawing Sheets



(56)

References Cited

U.S. PATENT DOCUMENTS

3,185,527	A	5/1965	Pivacek	6,499,756	B2	12/2002	Amirola
3,854,774	A	12/1974	Limpach	6,572,195	B1	6/2003	Lee
3,857,606	A	12/1974	Rodaway	6,578,915	B2	6/2003	Jonas et al.
3,990,744	A	11/1976	Rodaway	6,598,712	B1	7/2003	Sun
4,176,879	A	12/1979	Rodaway	6,659,560	B1	12/2003	Chi
RE30,954	E	6/1982	Smith et al.	6,883,871	B2	4/2005	Nae et al.
4,486,048	A	12/1984	Meyer	7,036,838	B2	5/2006	Leffler
4,572,577	A	2/1986	LaRue	7,175,004	B2	2/2007	Kassai et al.
4,593,929	A	6/1986	Williams	7,185,952	B1	3/2007	Chen et al.
4,707,026	A	11/1987	Johansson	7,243,997	B1	7/2007	Tornero
4,722,572	A	2/1988	Sata	D552,856	S *	10/2007	Chan D6/366
4,733,755	A	3/1988	Manning	7,367,432	B2	5/2008	Chen
4,770,467	A	9/1988	Zinn	7,367,578	B2	5/2008	Jansen
4,790,553	A	12/1988	Okamoto	7,404,567	B2	7/2008	Moller
4,805,259	A	2/1989	Kassai	7,427,105	B2 *	9/2008	Knoblock et al. 297/322
4,953,667	A	9/1990	Bigo	7,487,989	B2	2/2009	Crosby, II
4,985,690	A	1/1991	Eguchi et al.	7,527,335	B2	5/2009	Eberlein et al.
4,988,114	A	1/1991	Thornton, Jr. et al.	7,537,093	B2	5/2009	Chen
4,997,066	A	3/1991	Bigo	D597,329	S *	8/2009	Tanaka et al. D6/366
5,112,076	A	5/1992	Wilson	D598,816	S	8/2009	Ahlbertz
5,191,675	A	3/1993	Ishikura	7,571,966	B2	8/2009	Chen et al.
5,242,138	A	9/1993	Kornberg	7,635,142	B2	12/2009	Slagerman
5,370,408	A	12/1994	Eagan	7,708,119	B2	5/2010	Chen
5,378,041	A	1/1995	Lee	7,832,805	B1	11/2010	Lai
5,379,866	A	1/1995	Pearce et al.	7,988,171	B2	8/2011	Chong
5,415,459	A	5/1995	Schultz	8,104,838	B2	1/2012	Tsai
5,419,571	A	5/1995	Vaughan	D665,587	S *	8/2012	Lloyd et al. D6/335
5,713,591	A	2/1998	Zarkhin et al.	D674,729	S *	1/2013	Goldstein D12/133
5,765,665	A	6/1998	Cheng et al.	D679,513	S *	4/2013	Braverman D6/335
5,984,334	A	11/1999	Dugas	8,490,757	B2	7/2013	Chen et al.
D418,779	S *	1/2000	Greaves et al. D12/128	D688,907	S	9/2013	Smith et al.
6,022,042	A	2/2000	Hartenstine	D705,134	S *	5/2014	Childs et al. D12/133
6,053,578	A	4/2000	van Hekken et al.	2004/0099487	A1	5/2004	Melgarejo
6,203,101	B1	3/2001	Chou et al.	2004/0178025	A1	9/2004	Zweideck
D439,869	S *	4/2001	Kjell et al. D12/128	2006/0151259	A1	7/2006	Tomasi et al.
6,234,576	B1	5/2001	Fleigle	2006/0261659	A1	11/2006	Dykes
6,264,007	B1	7/2001	Norton et al.	2007/0057561	A1	3/2007	Liao
6,273,443	B1	8/2001	Fleigle	2009/0085317	A1	4/2009	Livengood et al.
6,296,313	B1	10/2001	Wu	2010/0007114	A1	1/2010	Papi et al.
6,341,671	B1	1/2002	Ebersole	2010/0025969	A1	2/2010	Kent et al.
6,352,138	B1	3/2002	Duran et al.	2010/0123346	A1	5/2010	Lin
6,352,307	B1	3/2002	Engman	2010/0301574	A1	12/2010	Derks et al.
				2011/0175329	A1 *	7/2011	Gingras et al. 280/647
				2011/0227314	A1	9/2011	Lowenthal et al.

* cited by examiner

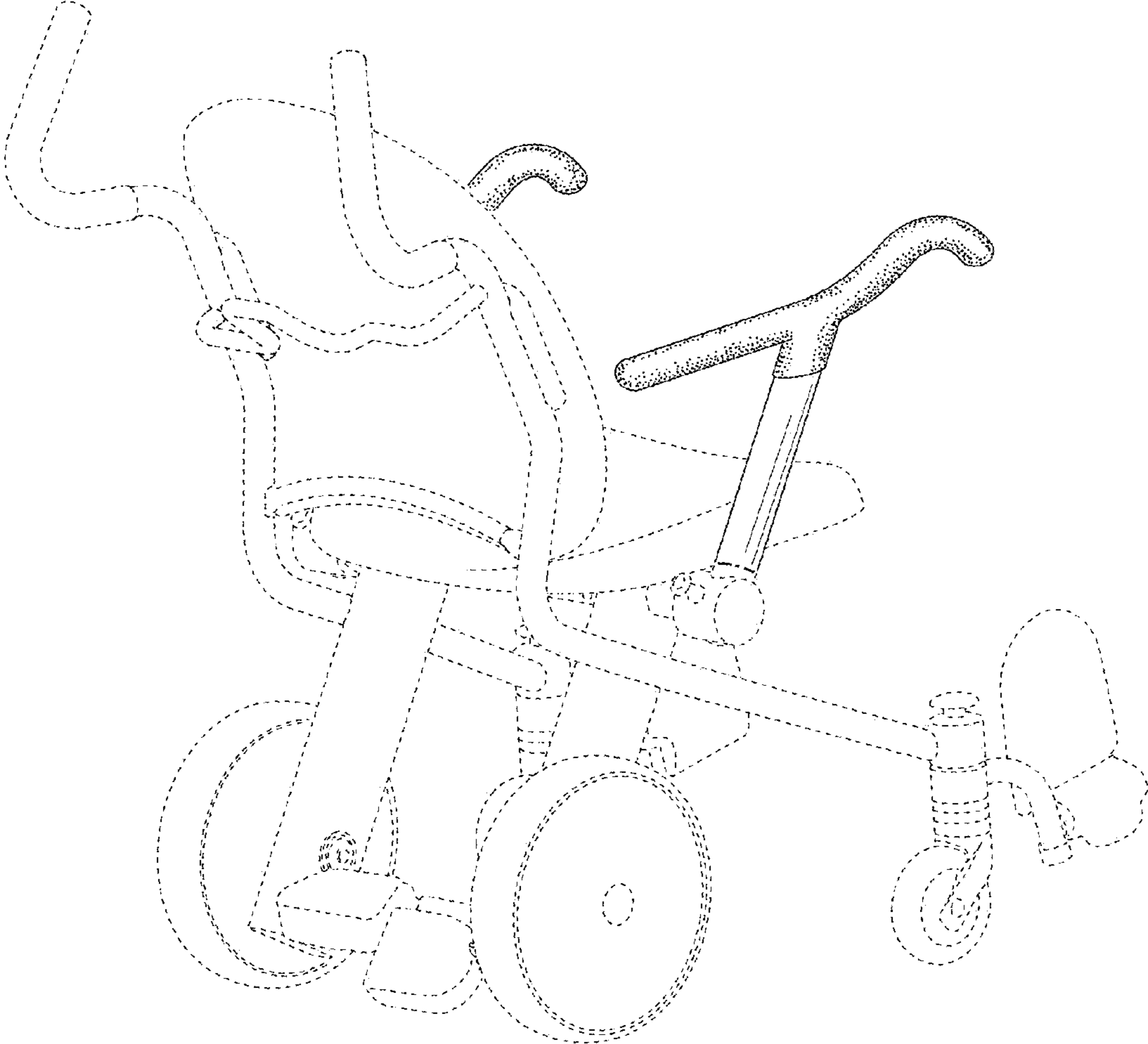


FIG. 1

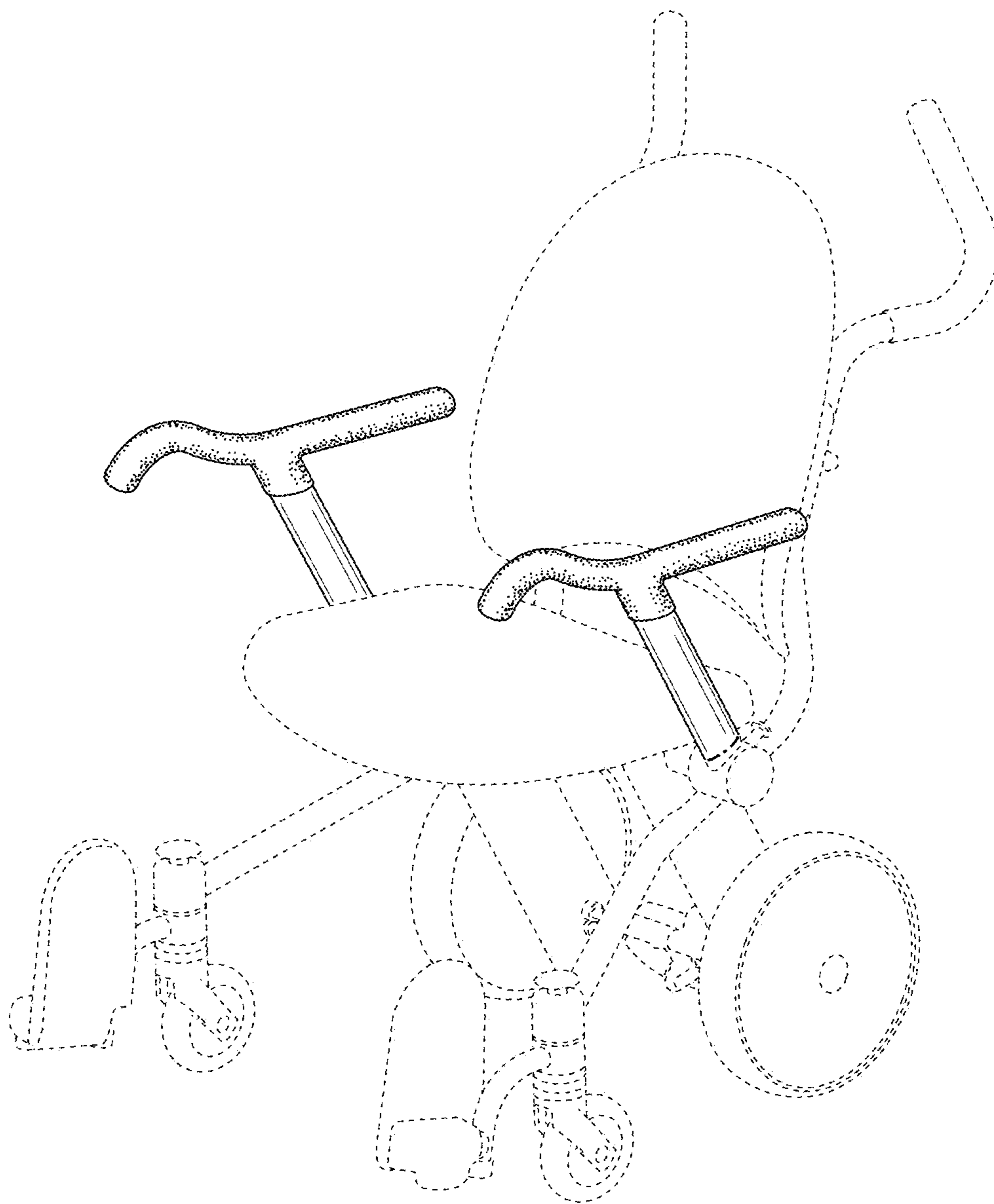


FIG. 2

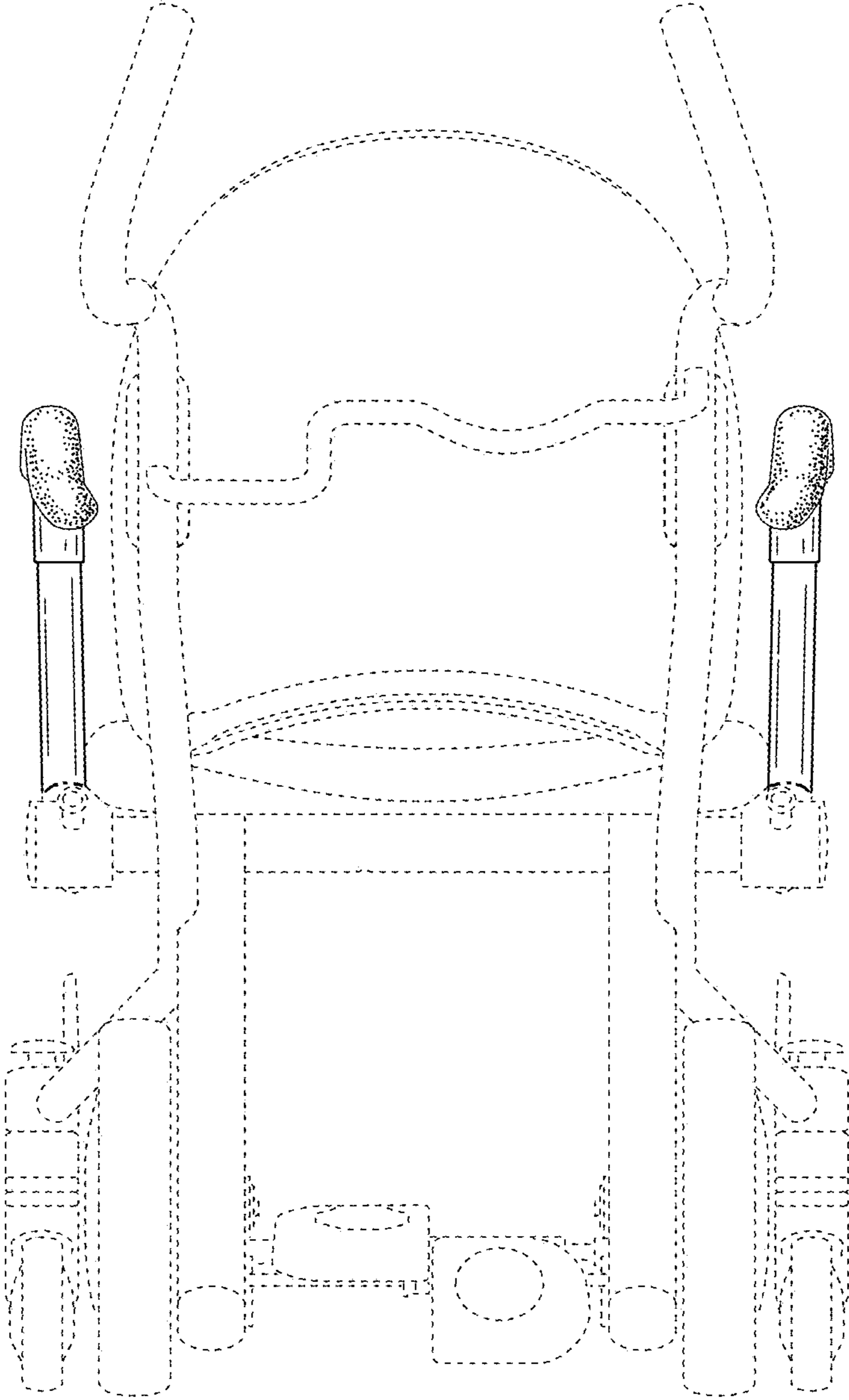


FIG. 3

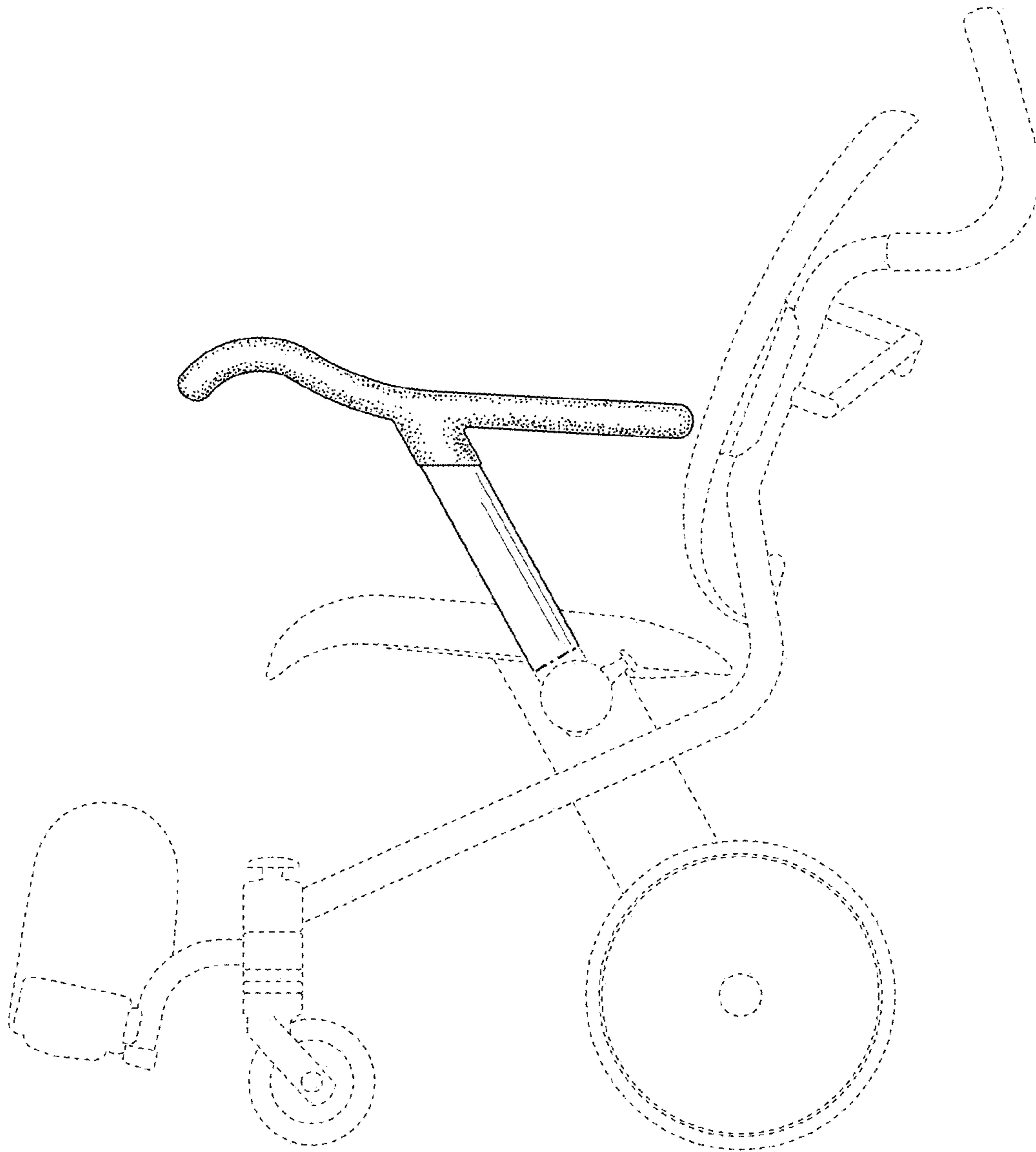


FIG. 4

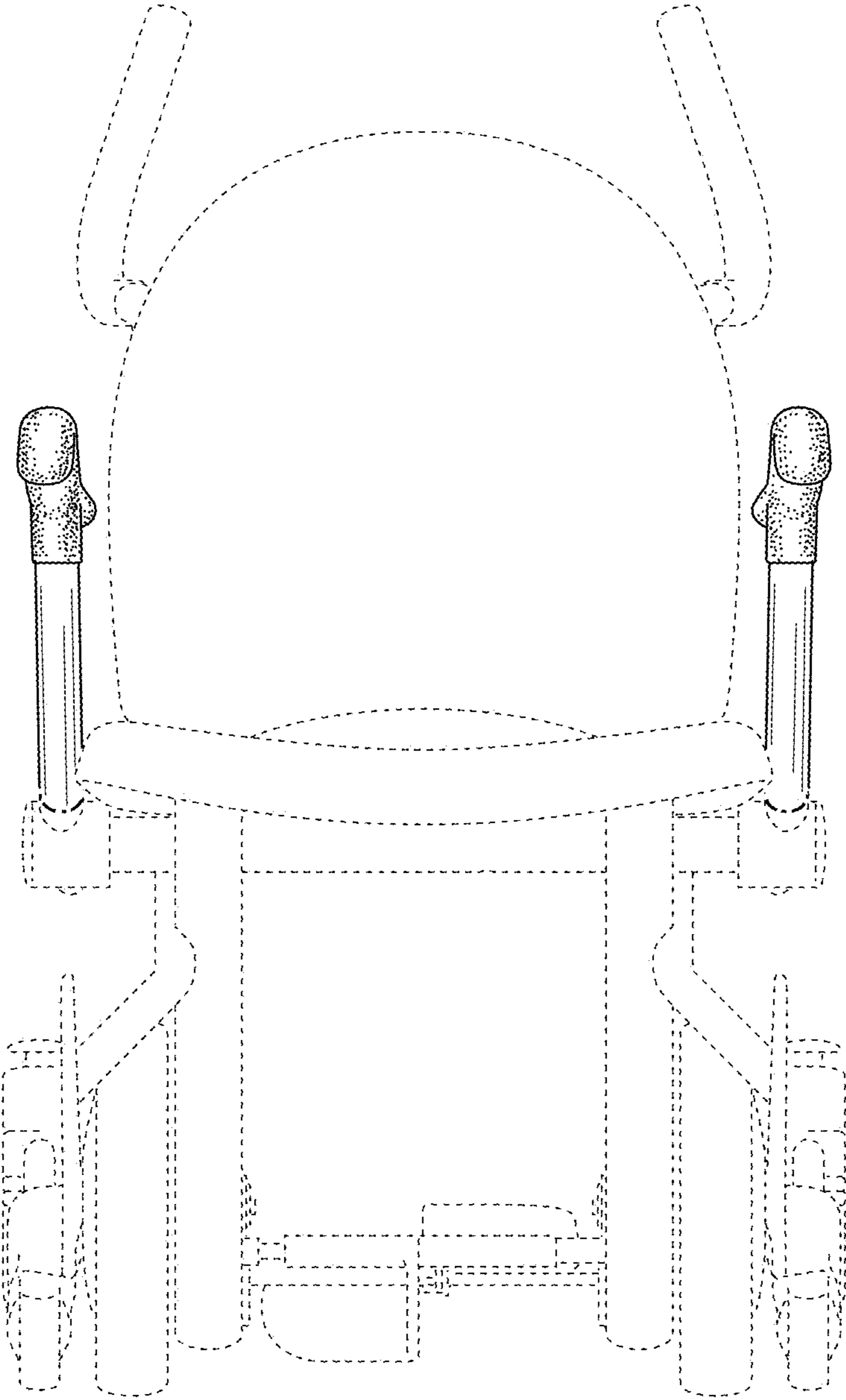


FIG. 5

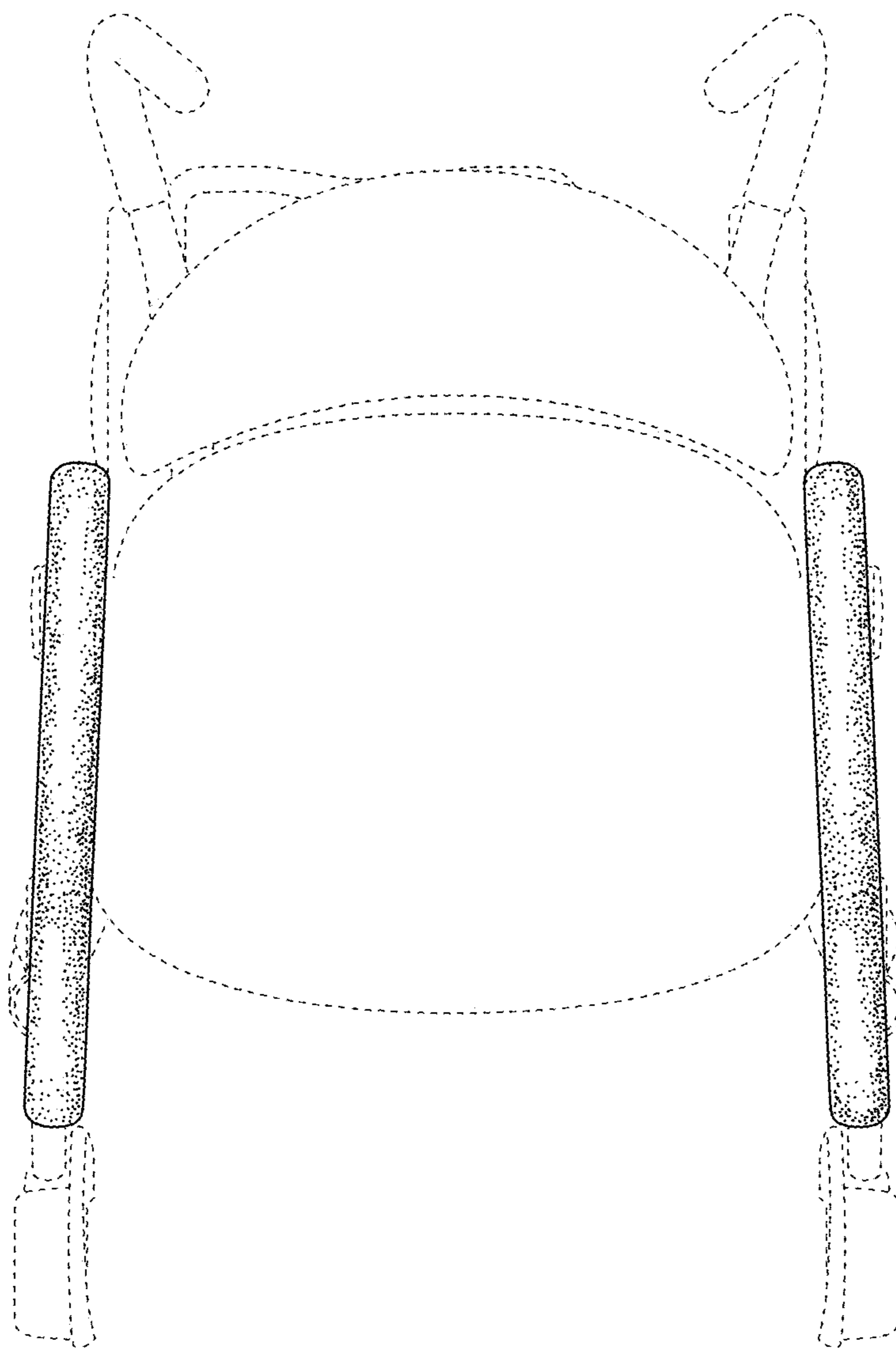


FIG. 6

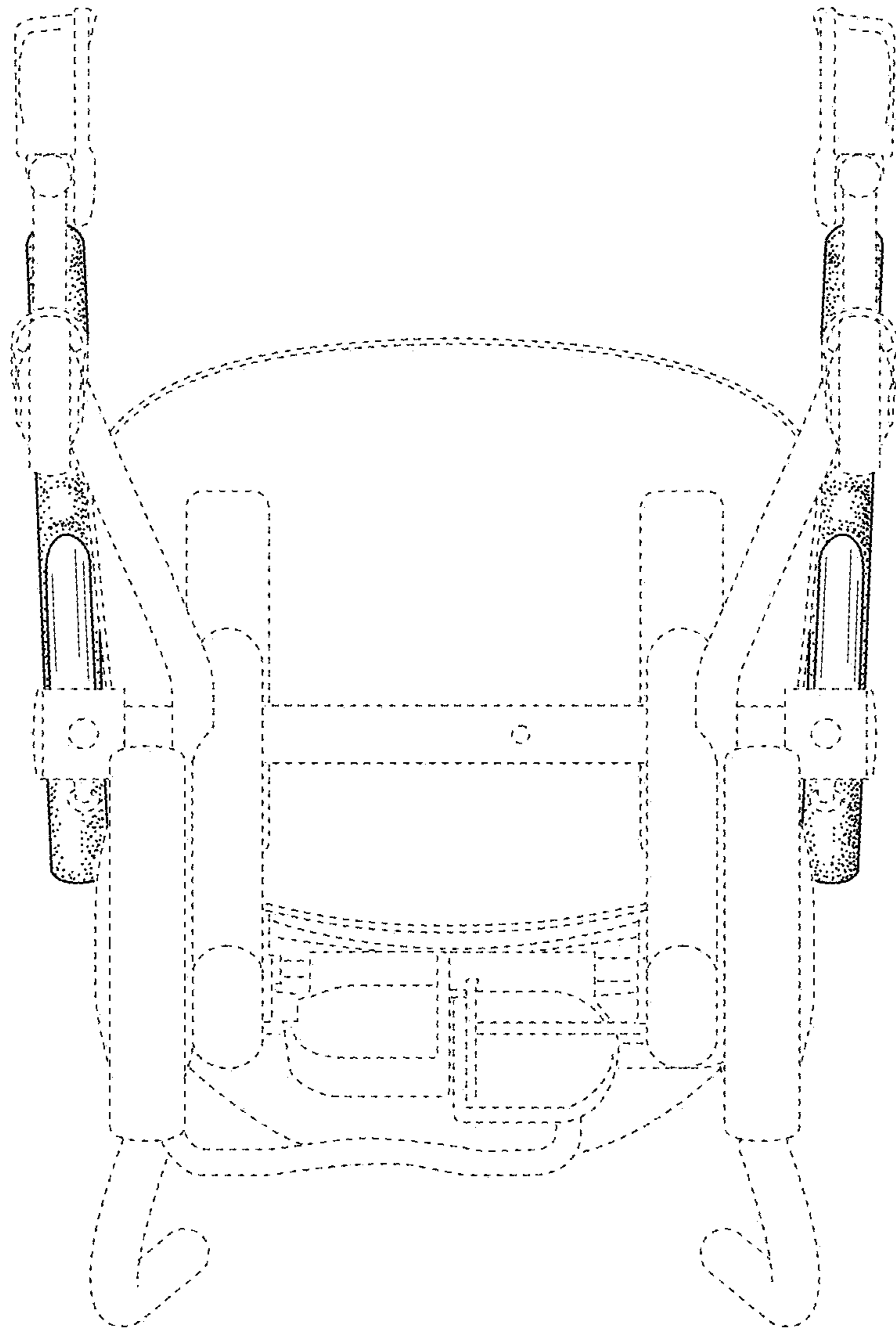


FIG. 7

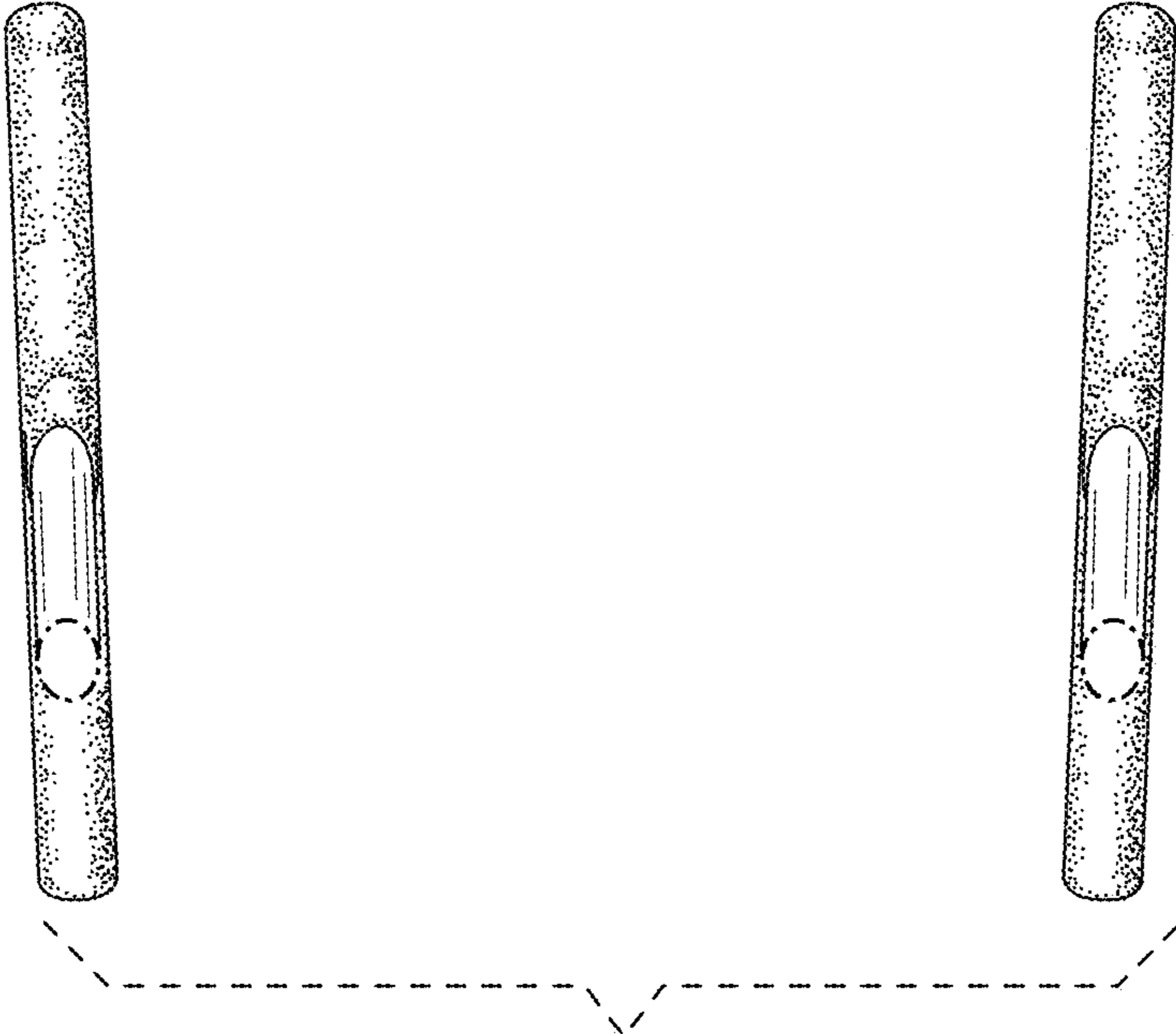


FIG. 8