



US00D732436S

(12) **United States Design Patent**  
**Christoph et al.**

(10) **Patent No.:** **US D732,436 S**  
(45) **Date of Patent:** **\*\* Jun. 23, 2015**

- (54) **TWO-WHEELED VEHICLE**
- (71) Applicant: **Indian Motorcycle International, LLC**,  
Medina, MN (US)
- (72) Inventors: **Richard J. Christoph**, Victoria, MN  
(US); **Gregory C. Brew**, Minnetonka,  
MN (US); **Charles Ray Frigard**,  
Mound, MN (US)
- (73) Assignee: **Indian Motorcycle International, LLC**,  
Medina, MN (US)
- (\*\*) Term: **14 Years**
- (21) Appl. No.: **29/466,345**
- (22) Filed: **Sep. 6, 2013**
- (51) **LOC (10) Cl.** ..... **12-11**
- (52) **U.S. Cl.**  
USPC ..... **D12/110**
- (58) **Field of Classification Search**  
USPC ..... D12/110, 107, 182, 194, 126, 114, 117,  
D12/218; D21/538, 432; D26/28;  
296/193.09, 78.1, 198  
CPC ..... B62K 11/04; B62K 2202/00; B62K  
2204/00; B62J 17/04  
See application file for complete search history.

D582,318 S *	12/2008	Kishi et al. ....	D12/110
D588,503 S *	3/2009	Idei et al. ....	D12/110
D588,504 S *	3/2009	Kawagishi ....	D12/110
D597,892 S *	8/2009	Andoh ....	D12/110
D604,204 S *	11/2009	Uchiyama ....	D12/110
D605,088 S *	12/2009	Tanaka et al. ....	D12/110
D610,044 S *	2/2010	Sugimoto ....	D12/110
D611,882 S *	3/2010	Sugimoto ....	D12/110
D619,934 S *	7/2010	Li ....	D12/110
D626,036 S *	10/2010	Yamazumi et al. ....	D12/110
D628,521 S *	12/2010	Kishi et al. ....	D12/110
D635,060 S *	3/2011	Ota ....	D12/110
D637,523 S *	5/2011	Sugimoto et al. ....	D12/110
D683,270 S *	5/2013	Song ....	D12/110
D683,271 S *	5/2013	Song ....	D12/110
D694,154 S *	11/2013	Arru et al. ....	D12/110
D716,702 S *	11/2014	Song et al. ....	D12/110

\* cited by examiner

*Primary Examiner* — Robert M Spear

*Assistant Examiner* — Ryan Harvey

(74) *Attorney, Agent, or Firm* — Faegre Baker Daniels LLP

(57) **CLAIM**

We claim the ornamental design for the two-wheeled vehicle,  
as shown and described.

**DESCRIPTION**

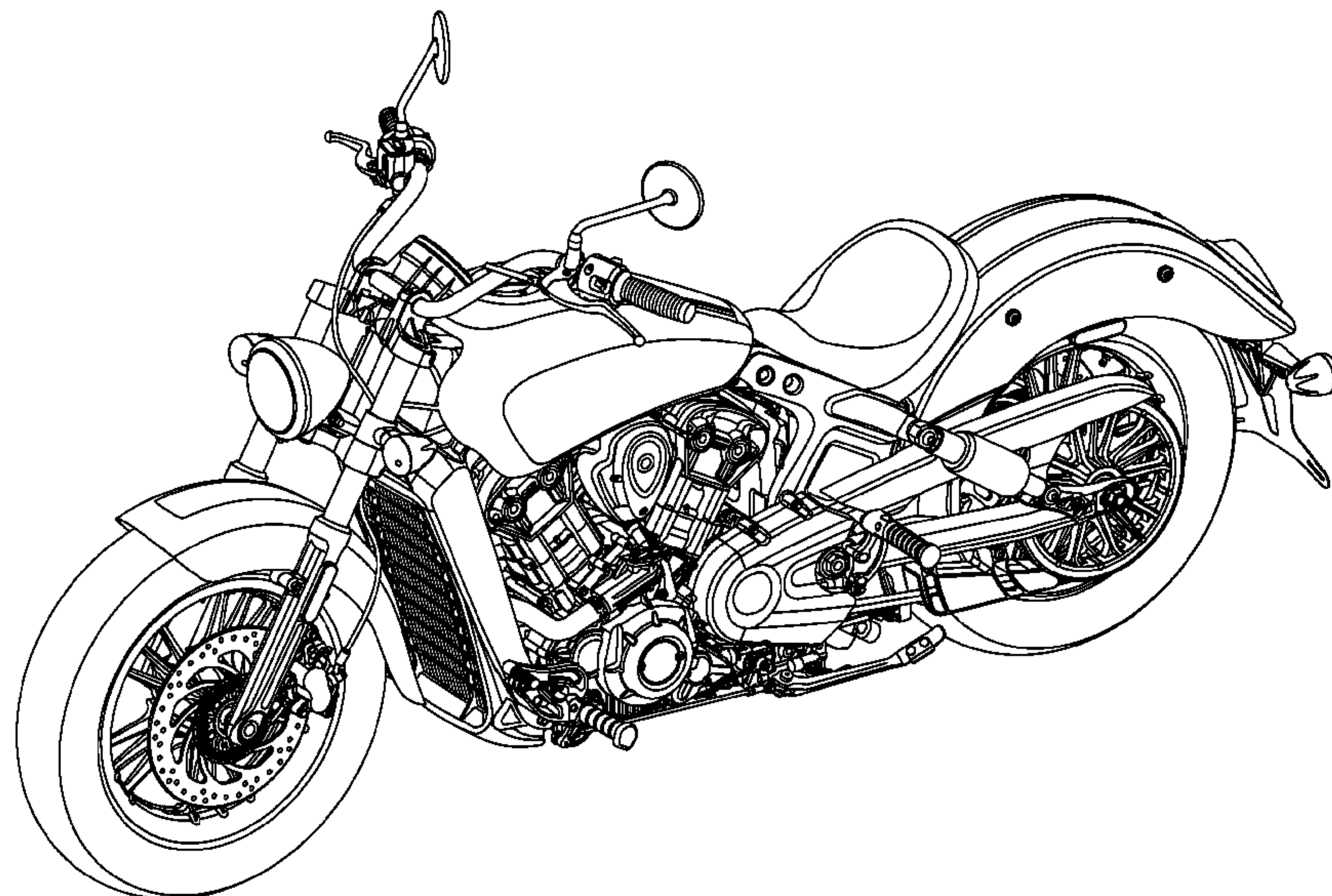
FIG. 1 is a left front perspective of a two-wheeled vehicle;  
 FIG. 2 is a right rear perspective view of the two-wheeled  
 vehicle of FIG. 1;  
 FIG. 3 is a left side view of the two-wheeled vehicle of FIG.  
 1;  
 FIG. 4 is a right side view of the two-wheeled vehicle of FIG.  
 1;  
 FIG. 5 is a top view of the two-wheeled vehicle of FIG. 1;  
 FIG. 6 is a front view of the two-wheeled vehicle of FIG. 1;  
 and,  
 FIG. 7 is a rear view of the two-wheeled vehicle of FIG. 1.

**1 Claim, 6 Drawing Sheets**

(56) **References Cited**

**U.S. PATENT DOCUMENTS**

D506,163 S *	6/2005	Uemoto ....	D12/110
D511,718 S *	11/2005	Manchester et al. ....	D12/110
D517,957 S *	3/2006	Savage et al. ....	D12/110
D522,925 S *	6/2006	Nishino ....	D12/110
D524,192 S *	7/2006	Sugimoto ....	D12/110
D544,816 S *	6/2007	Davidson et al. ....	D12/110
D550,591 S *	9/2007	Mugikura ....	D12/110
D567,148 S *	4/2008	Inose et al. ....	D12/110
D572,629 S *	7/2008	Kawagishi ....	D12/110





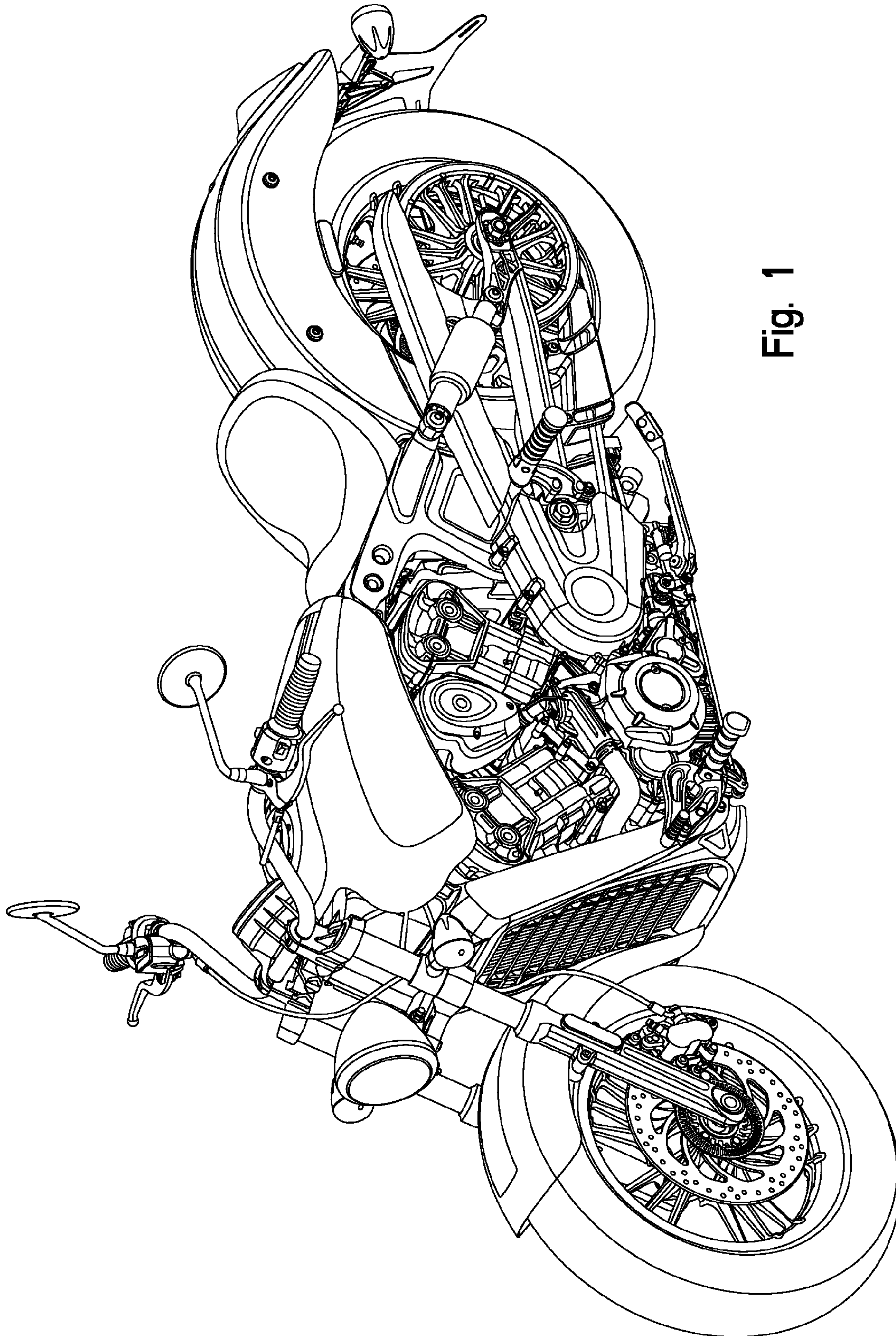


Fig. 1

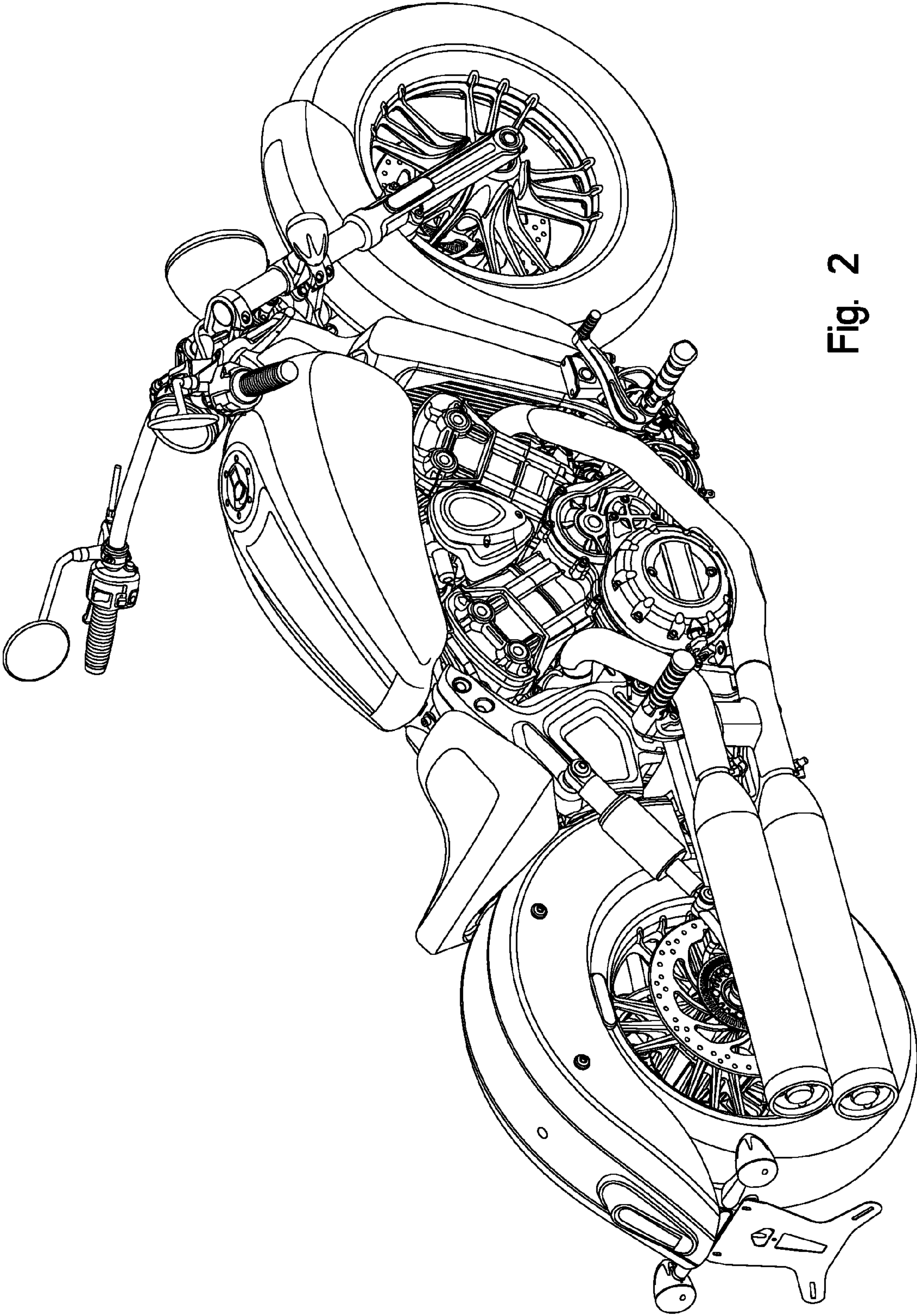


Fig. 2



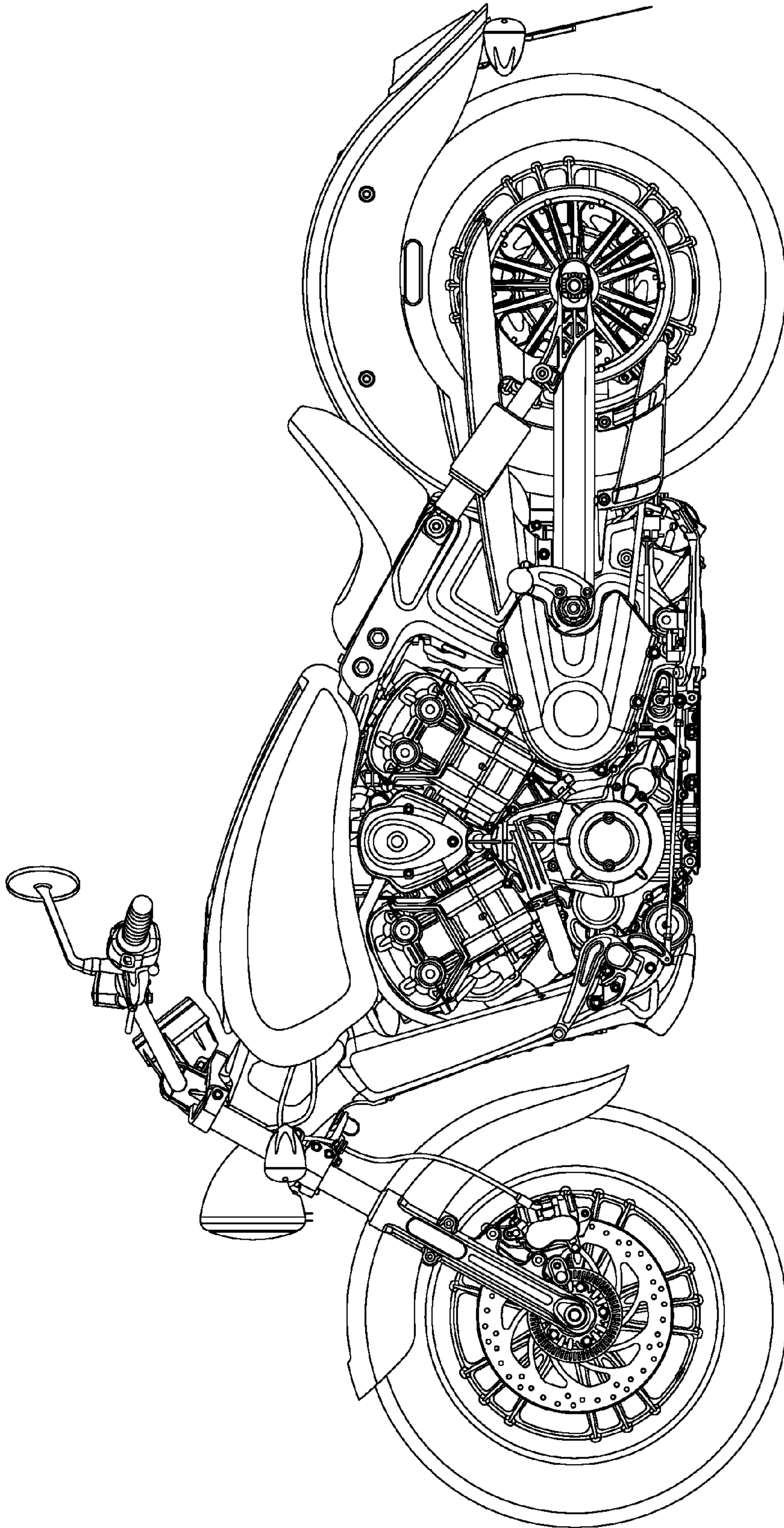


Fig. 3

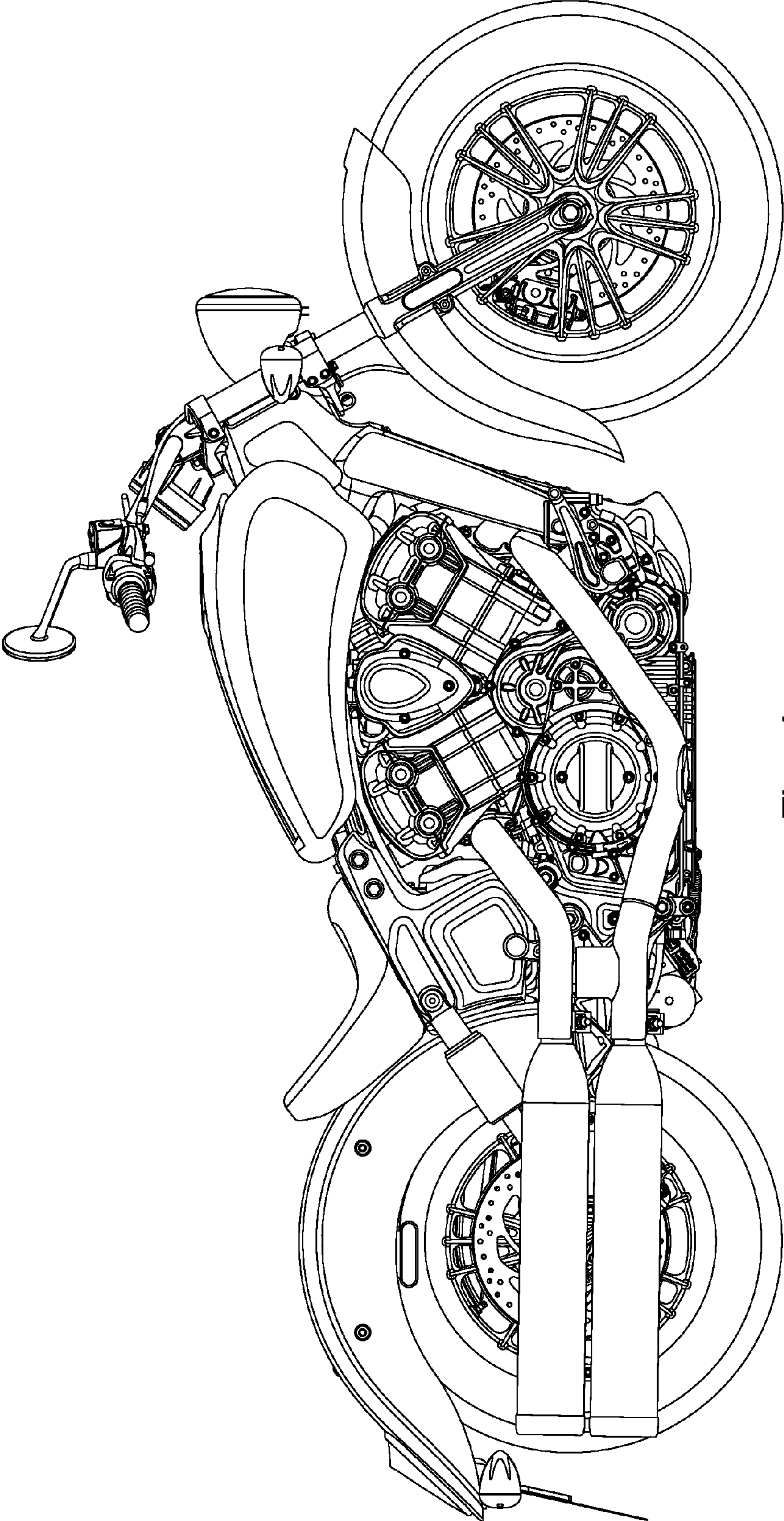


Fig. 4



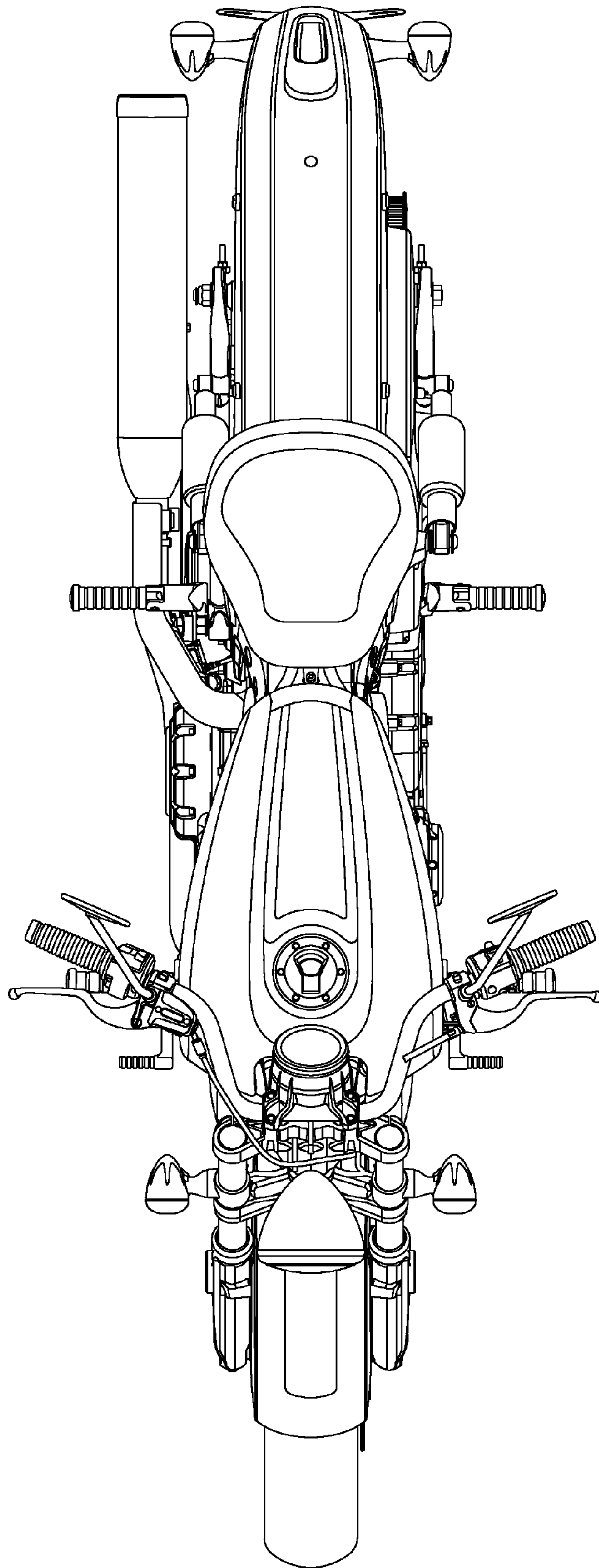


Fig. 5

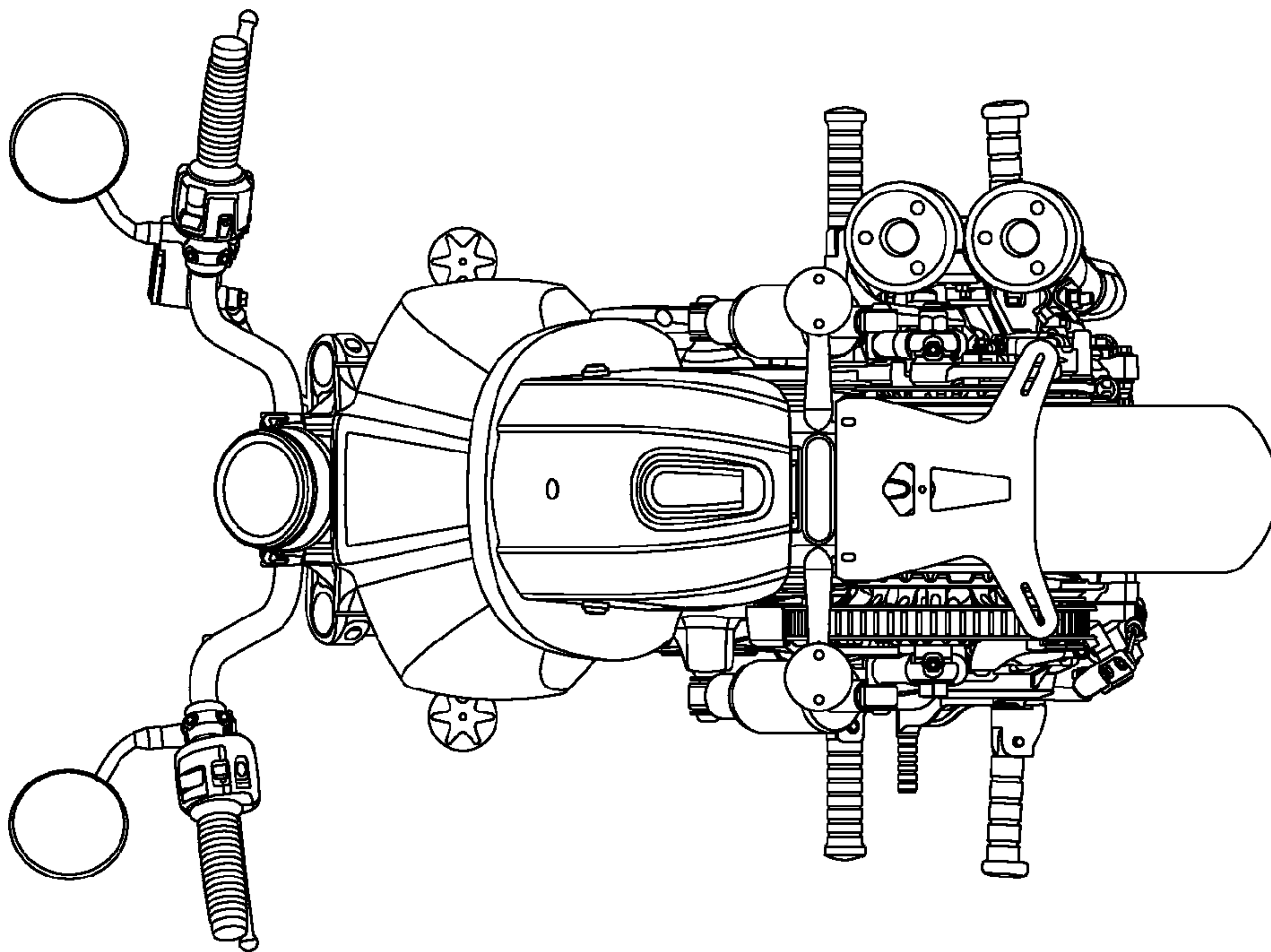


Fig. 7

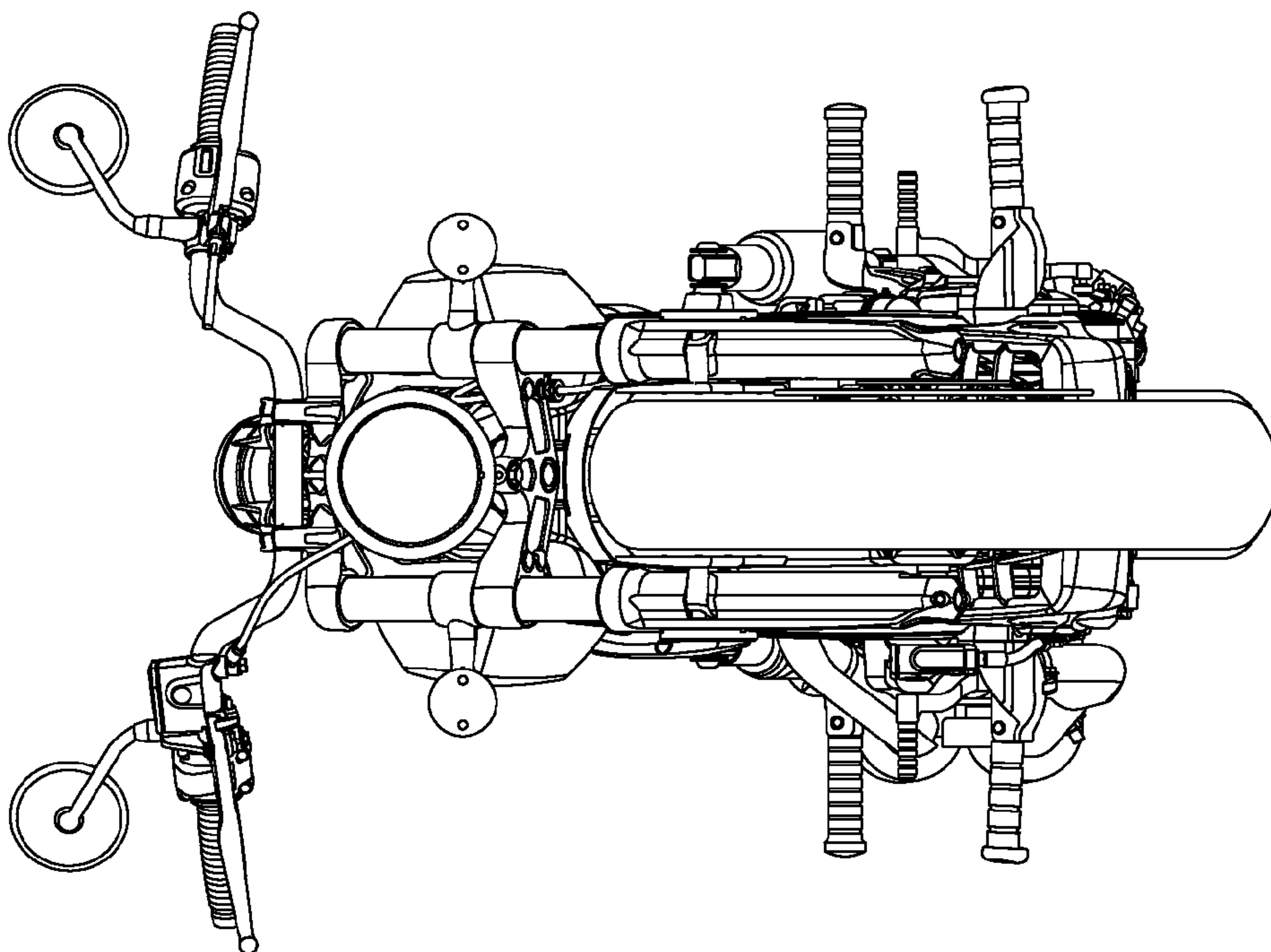


Fig. 6