

US00D732433S

(12) **United States Design Patent**
Aengenheyster

(10) **Patent No.:** **US D732,433 S**
(45) **Date of Patent:** **** Jun. 23, 2015**

- (54) **MOTOR CAR**
- (71) Applicant: **GM Global Technology Operations LLC, Detroit, MI (US)**
- (72) Inventor: **Carsten Aengenheyster, Bickenbach (DE)**
- (73) Assignee: **GM Global Technology Operations LLC, Detroit, MI (US)**
- (**) Term: **14 Years**
- (21) Appl. No.: **29/499,480**
- (22) Filed: **Aug. 15, 2014**
- (30) **Foreign Application Priority Data**
Feb. 18, 2014 (EM) 002 406 835
- (51) **LOC (10) Cl.** **12-08**
- (52) **U.S. Cl.**
USPC **D12/91**
- (58) **Field of Classification Search**
USPC D12/86, 90-92; D21/421, 433, 434;
296/181.1, 181.5
CPC B62D 35/00; B62D 25/00; B62D 25/06;
B62D 25/08; B62D 33/00
See application file for complete search history.

- D605,977 S 12/2009 Zipfel et al.
- D605,978 S 12/2009 Wolff et al.
- D608,249 S 1/2010 Peters
- D608,690 S 1/2010 Folden et al.
- D608,691 S 1/2010 Zak, Jr. et al.
- D609,608 S 2/2010 Boniface et al.
- D611,387 S 3/2010 Thompson et al.
- D611,879 S 3/2010 Kim et al.
- D612,297 S 3/2010 Peters et al.
- D613,645 S 4/2010 Song et al.
- D615,458 S 5/2010 Thompson et al.
- D618,595 S 6/2010 Ware et al.
- D623,090 S 9/2010 Cox et al.
- D627,262 S 11/2010 Ikeda et al.
- D635,488 S 4/2011 Phipps

(Continued)

OTHER PUBLICATIONS

Design U.S. Appl. No. 29/439,307, filed Dec. 10, 2012; First Named Inventor: Brendon C. Mackay; Title: Vehicle Body Exterior.

(Continued)

Primary Examiner — Melody N Brown

(74) *Attorney, Agent, or Firm* — Reising Ethington P.C.

(57) **CLAIM**

The ornamental design for a motor car, as shown and described.

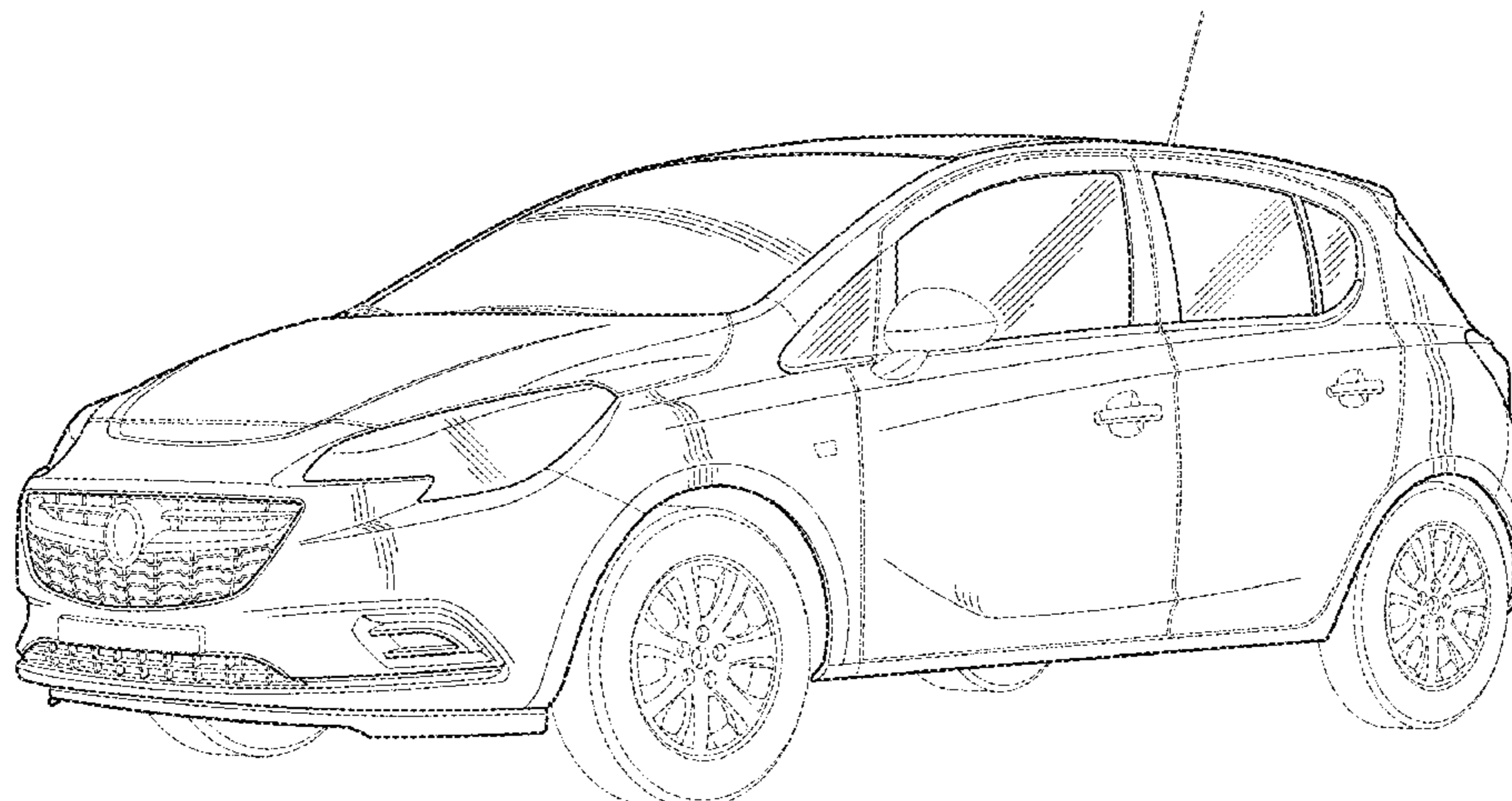
DESCRIPTION

FIG. 1 is a front and left side perspective view of the motor car;
 FIG. 2 is a rear and right side perspective view thereof;
 FIG. 3 is a left side elevation view thereof;
 FIG. 4 is a right side elevation view thereof;
 FIG. 5 is a front elevation view thereof;
 FIG. 6 is a rear elevation view thereof; and,
 FIG. 7 is a top plan view thereof.

The broken lines shown in the drawings depict portions of the motor car that form no part of the claimed design.

1 Claim, 6 Drawing Sheets

- (56) **References Cited**
U.S. PATENT DOCUMENTS
- D570,742 S 6/2008 Takagi et al.
- D592,105 S 5/2009 Dean et al.
- D597,447 S 8/2009 Folden
- D600,595 S 9/2009 Nakamura et al.
- D601,925 S 10/2009 O'Donnell
- D603,755 S 11/2009 Peters
- D604,203 S 11/2009 O'Donnell
- D605,082 S 12/2009 Munson
- D605,083 S 12/2009 Manoogian, II et al.



(56)

References Cited

U.S. PATENT DOCUMENTS

D644,147	S	8/2011	Suh et al.	
D644,567	S	9/2011	Kozub	
D657,718	S	4/2012	Zipfel et al.	
D659,052	S	5/2012	Ware et al.	
D659,053	S	5/2012	Ware et al.	
D668,182	S	10/2012	Franco et al.	
D668,183	S	10/2012	Smart	
D678,820	S	3/2013	Son et al.	
D678,821	S	3/2013	Ikeda et al.	
D680,909	S	4/2013	Munson et al.	
D680,910	S	4/2013	David	
D684,899	S	6/2013	Baker	
D686,536	S	7/2013	McCabe et al.	
D692,798	S	11/2013	Thurber	
D692,799	S	11/2013	Smith et al.	
D696,157	S	12/2013	Loeb	
D699,629	S	2/2014	Ikeda et al.	
D700,871	S	3/2014	O'Donnell et al.	
D703,103	S	4/2014	Lee	
D704,103	S	5/2014	Mack et al.	
D705,132	S	5/2014	Ware et al.	
D705,699	S	5/2014	Ware et al.	
D719,486	S	* 12/2014	Murakami et al.	D12/91
D719,875	S	* 12/2014	Jang	D12/91

OTHER PUBLICATIONS

Design U.S. Appl. No. 29/450,700, filed Mar. 21, 2013; First Named Inventor: Andrew Dyson; Title: Motor Car.

Design U.S. Appl. No. 29/451,178, filed Mar. 28, 2013; First Named Inventor: Richard Fulvio Ferlazzo; Title: Vehicle Body Exterior.
 Design U.S. Appl. No. 29/466,855, filed Sep. 12, 2013; First Named Inventor: Louis Thole; Title: Vehicle Body Exterior.
 Design U.S. Appl. No. 29/466,859, filed Sep. 12, 2013; First Named Inventor: Louis Thole; Title: Vehicle Body Exterior.
 Design U.S. Appl. No. 29/471,417, filed Oct. 31, 2013; First Named Inventor: Robin Krieg; Title: Vehicle Body Exterior.
 Design U.S. Appl. No. 29/476,490, filed Dec. 13, 2013; First Named Inventor: Robert J. Munson; Title: Vehicle Body Exterior.
 Design U.S. Appl. No. 29/475,782, filed Dec. 6, 2013; First Named Inventor: Niels Loeb; Title: Motor Car.
 Design U.S. Appl. No. 29/475,785, filed Dec. 6, 2013; First Named Inventor: Niels Loeb; Title: Motor Car.
 Design U.S. Appl. No. 29/477,931, filed Dec. 30, 2013; First Named Inventor: Louis D. Thole; Title: Vehicle Body Exterior.
 Design U.S. Appl. No. 29/478,287, filed Jan. 3, 2014; First Named Inventor: Boris Jacob; Title: Motor Car.
 Design U.S. Appl. No. 29/478,501, filed Jan. 6, 2014; First Named Inventor: Robert B. McMahan; Title: Vehicle Body Exterior.
 Design U.S. Appl. No. 29/487,899, filed Apr. 14, 2014; First Named Inventor: Carsten Aengenheyster; Title: Motor Car.
 Design U.S. Appl. No. 29/491,286, filed May 20, 2014; First Named Inventor: Robert B. McMahan; Title: Vehicle Body Exterior.
 Design U.S. Appl. No. 29/492,639, filed Jun. 2, 2014; First Named Inventor: Jeasoo Kim; Title: Vehicle Body Exterior.
 Design U.S. Appl. No. 29/498,301, filed Aug. 1, 2014; First Named Inventor: Niki J. Smart Title: Vehicle Body Exterior.

* cited by examiner

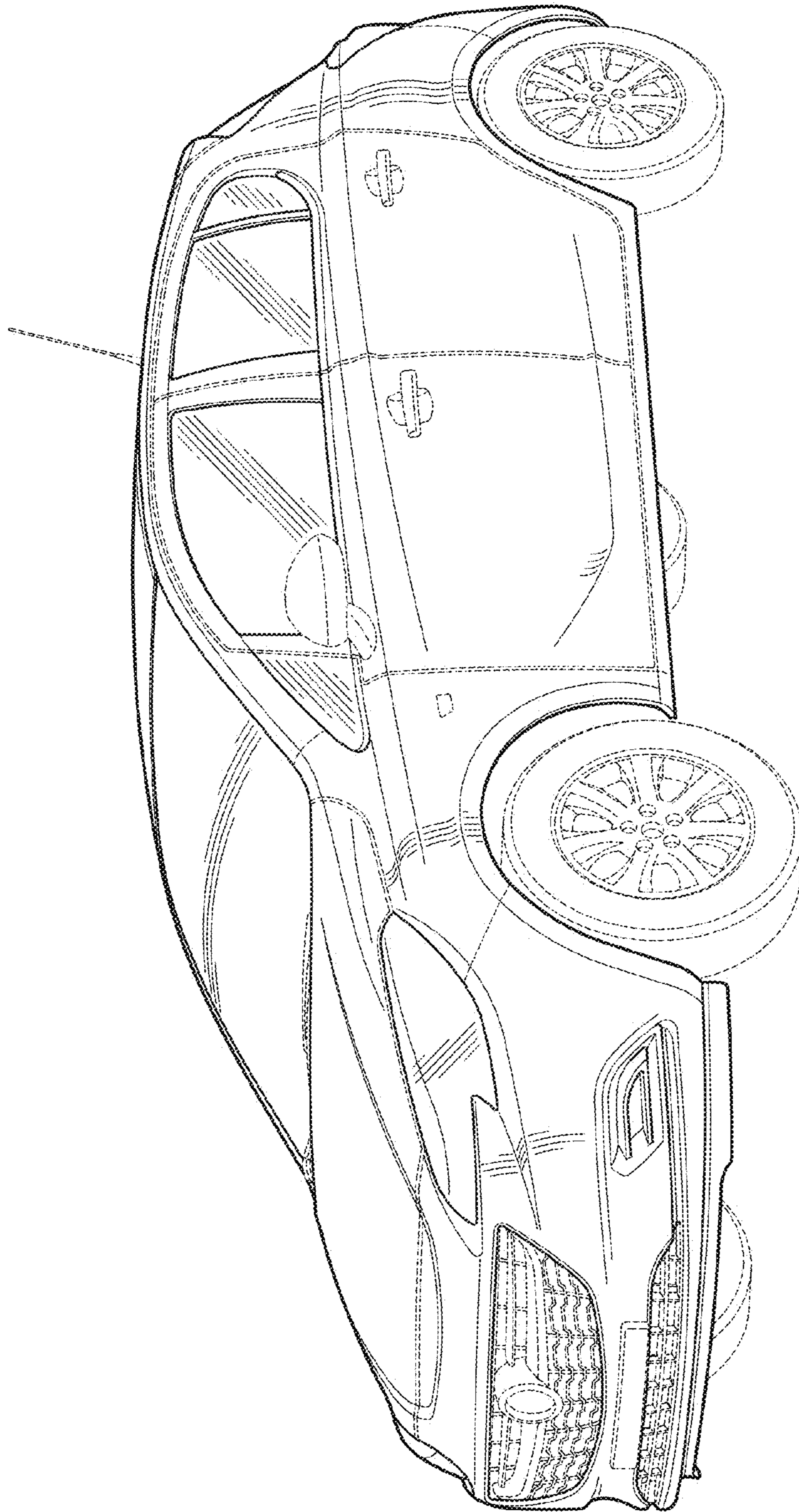


FIG. 1

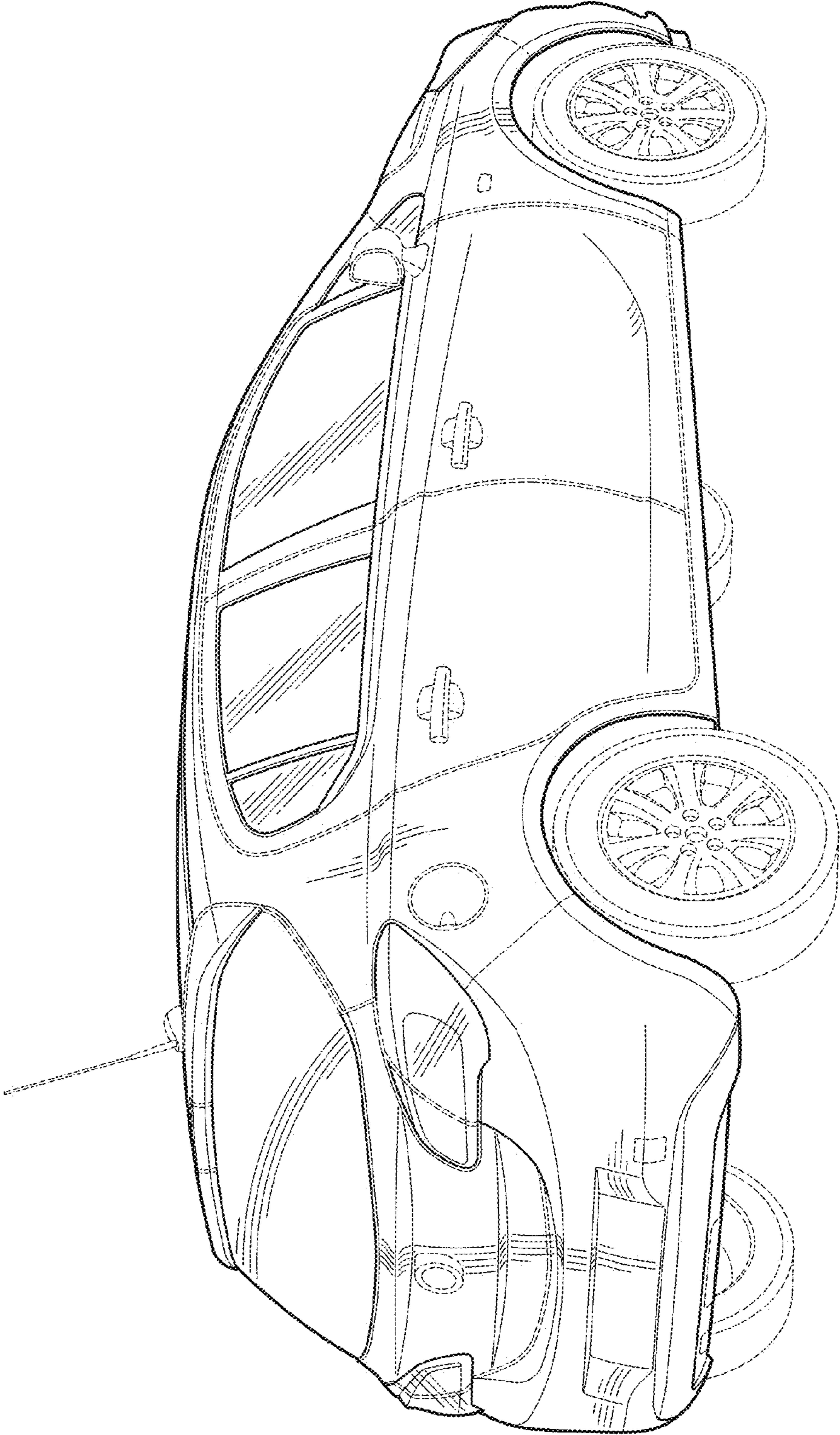


FIG. 2

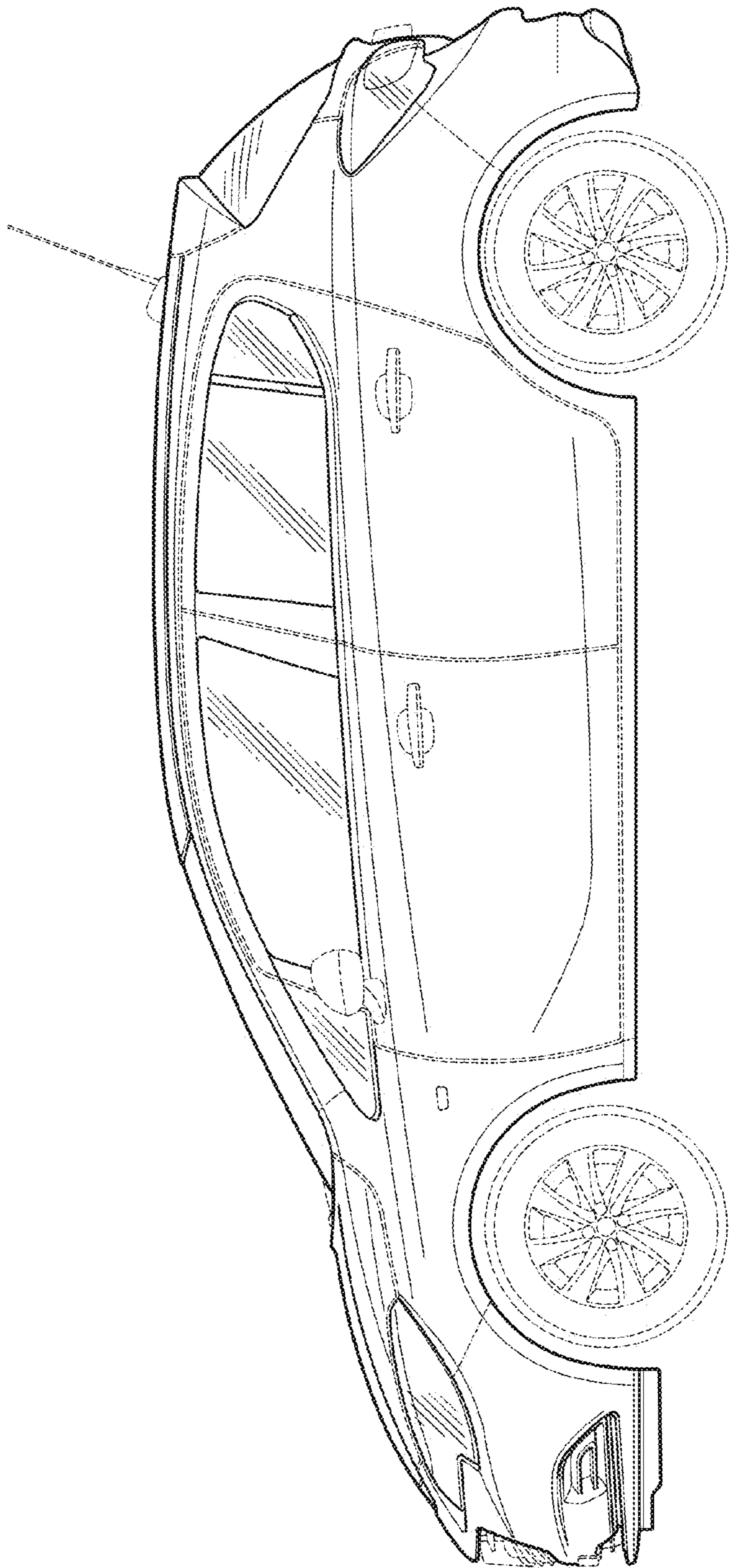


FIG. 3

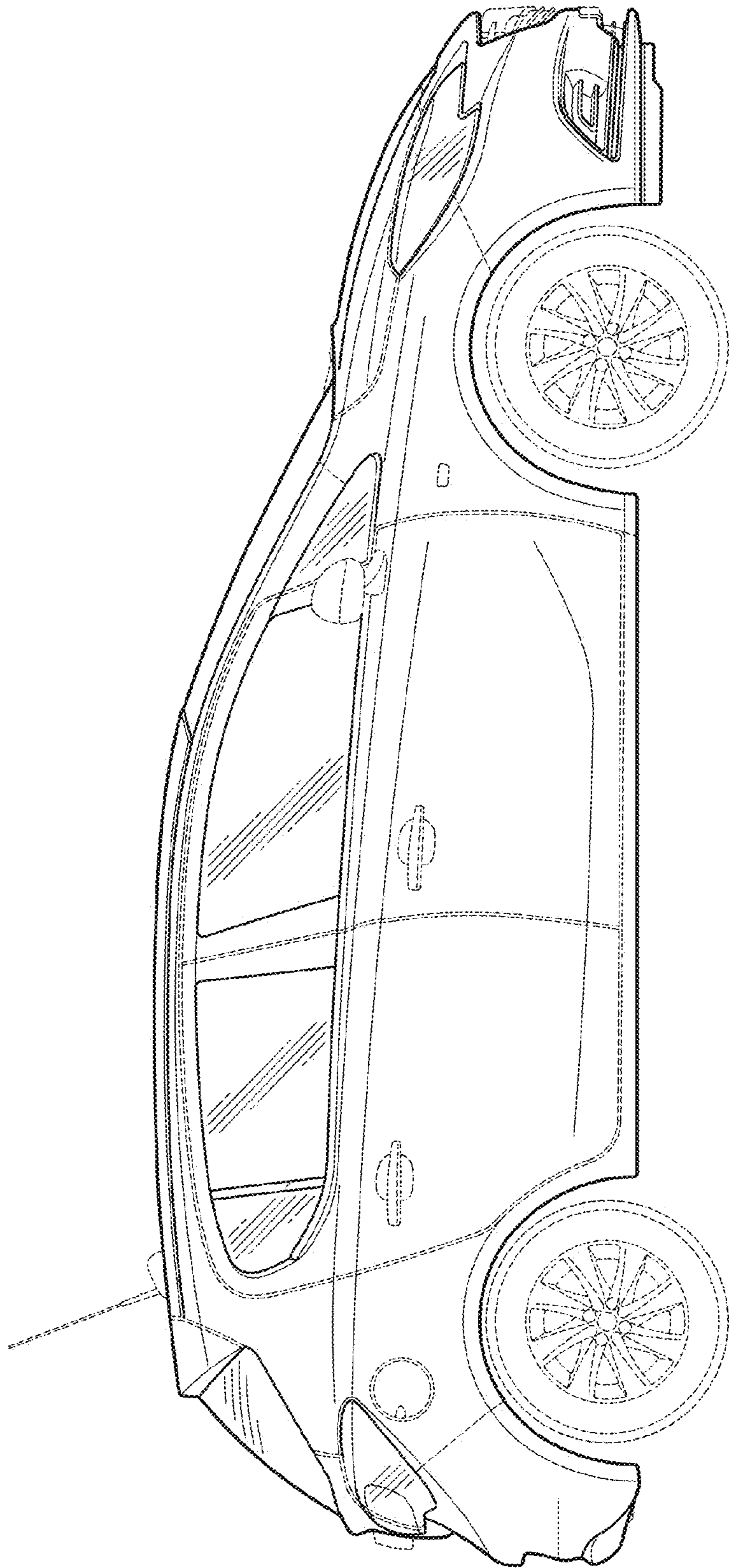


FIG. 4

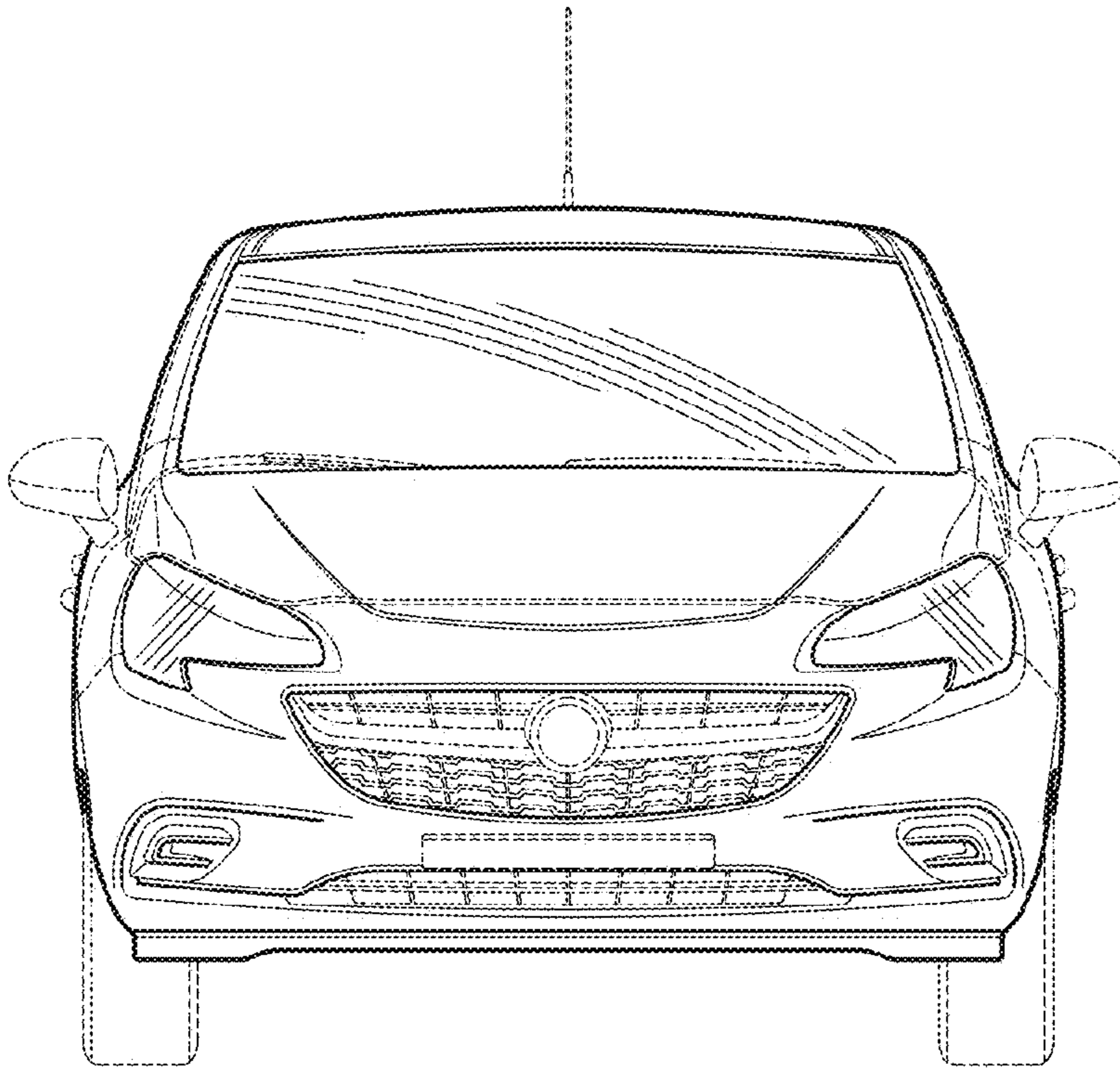


FIG. 5

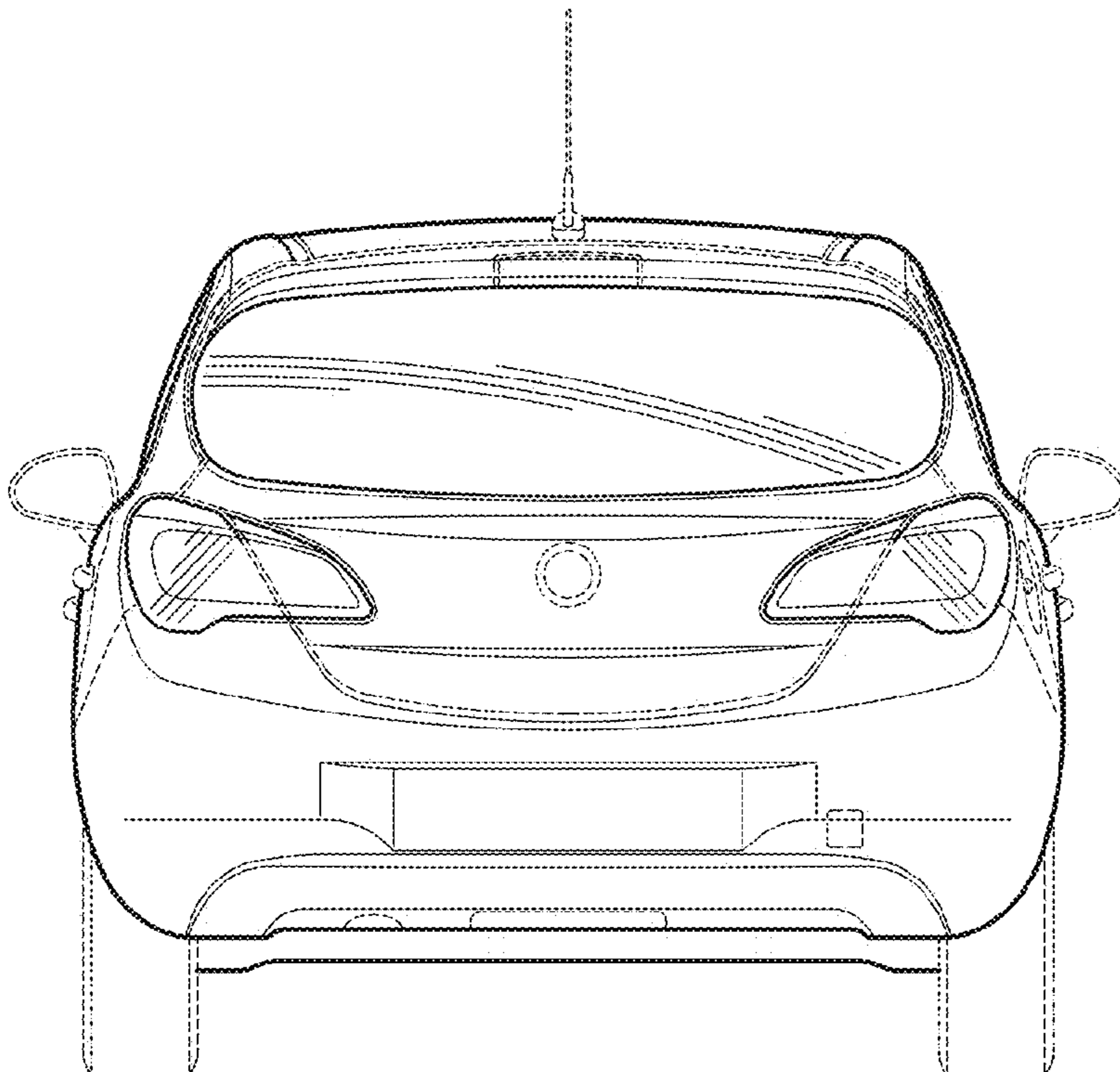


FIG. 6

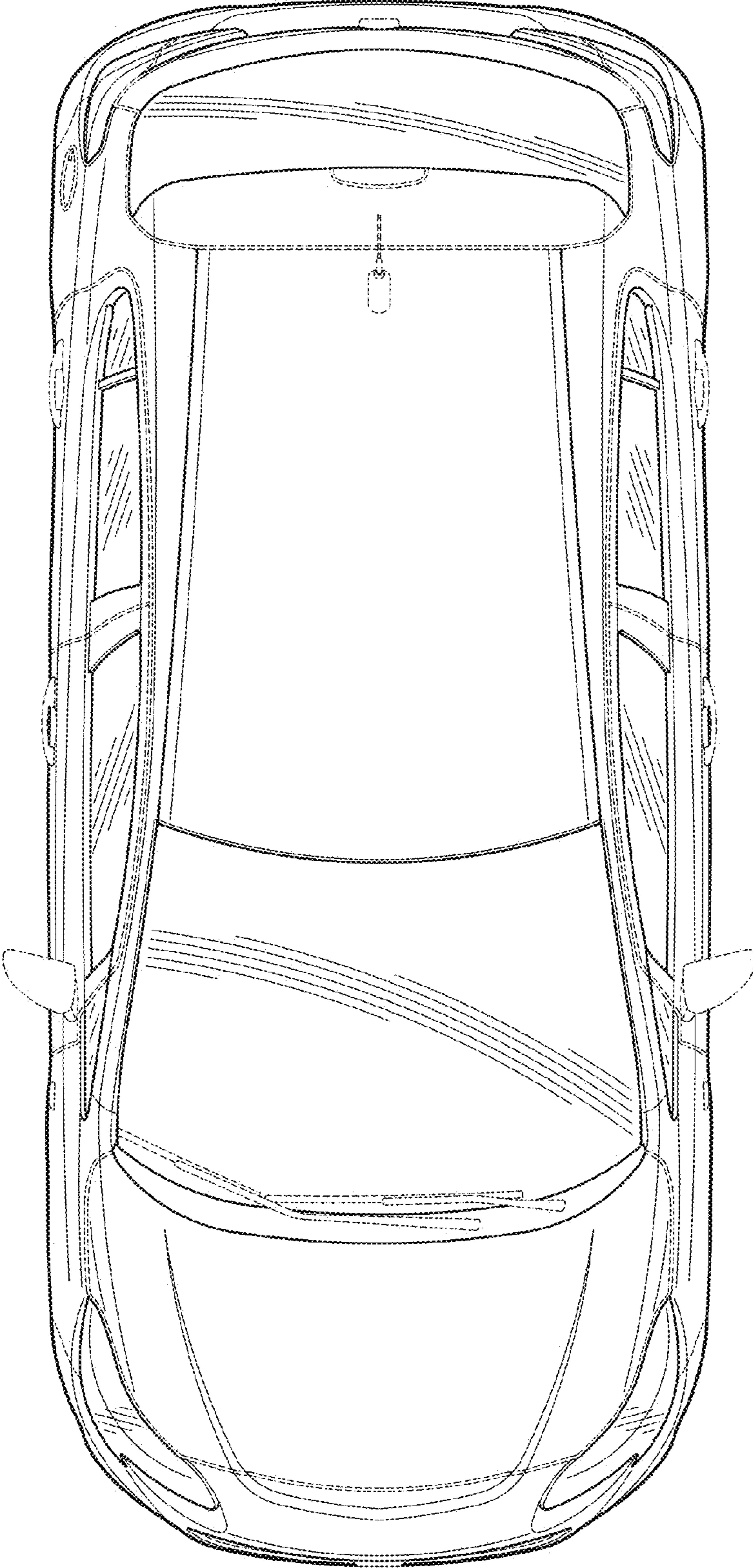


FIG. 7