



US00D732426S

(12) **United States Design Patent**
Bowlby

(10) **Patent No.:** **US D732,426 S**
(45) **Date of Patent:** **** Jun. 23, 2015**

- (54) **RACE CAR**
- (71) Applicant: **Delta Wing, LLC**, Indianapolis, IN (US)
- (72) Inventor: **Benjamin Bowlby**, Zionsville, IN (US)
- (73) Assignee: **Delta Wing, LLC**, Indianapolis, IN (US)
- (**) Term: **14 Years**
- (21) Appl. No.: **29/466,702**
- (22) Filed: **Sep. 10, 2013**

D644,146 S *	8/2011	Ganassi et al.	D12/88
D665,703 S *	8/2012	Bowlby	D12/88
D666,128 S *	8/2012	Vanleeuwen	D12/86
8,256,826 B2 *	9/2012	Fioravanti	296/181.5
D670,605 S *	11/2012	Nauert	D12/88

OTHER PUBLICATIONS

DeltaWing Race Car to Use Nissan Power, Make Race Debut at Le Mans. Car and Driver Blog, Mar. 13, 2013 [online], [retrieved on Feb. 15, 2014]. Retrieved from the Internet <URL: <http://blog.carand-driver.com/deltawing-race-car-to-use-nissan-power-make-race-debut-at-le-mans/>>.*

(Continued)

Related U.S. Application Data

- (63) Continuation of application No. 29/416,789, filed on Mar. 27, 2012, now Pat. No. Des. 695,148.
- (51) **LOC (10) Cl.** **12-08**
- (52) **U.S. Cl.**
USPC **D12/88**
- (58) **Field of Classification Search**
USPC D12/86, 88, 90, 91, 92; D21/424, 433,
D21/434, 550; 296/181.1, 181.5
CPC B62D 15/02; B62D 21/183; B62D 35/00;
B60G 2204/128; B60G 2204/148; B60G
2204/421; B60G 3/20
See application file for complete search history.

Primary Examiner — Philip S Hyder

Assistant Examiner — Darlington Ly

(74) *Attorney, Agent, or Firm* — Bose McKinney & Evans LLP

(57) **CLAIM**

The ornamental design for a race car, as shown and described.

DESCRIPTION

FIG. 1 is a front perspective view of a race car, illustrating the novel design;

FIG. 2 is a rear perspective view of the race car design of FIG. 1;

FIG. 3 is a front view of the race car design of FIG. 1;

FIG. 4 is a rear view of the race car design of FIG. 1;

FIG. 5 is a left side view of the race car design of FIG. 1;

FIG. 6 is a right side view of the race car design of FIG. 1; and,

FIG. 7 is a top view of the race car design of FIG. 1.

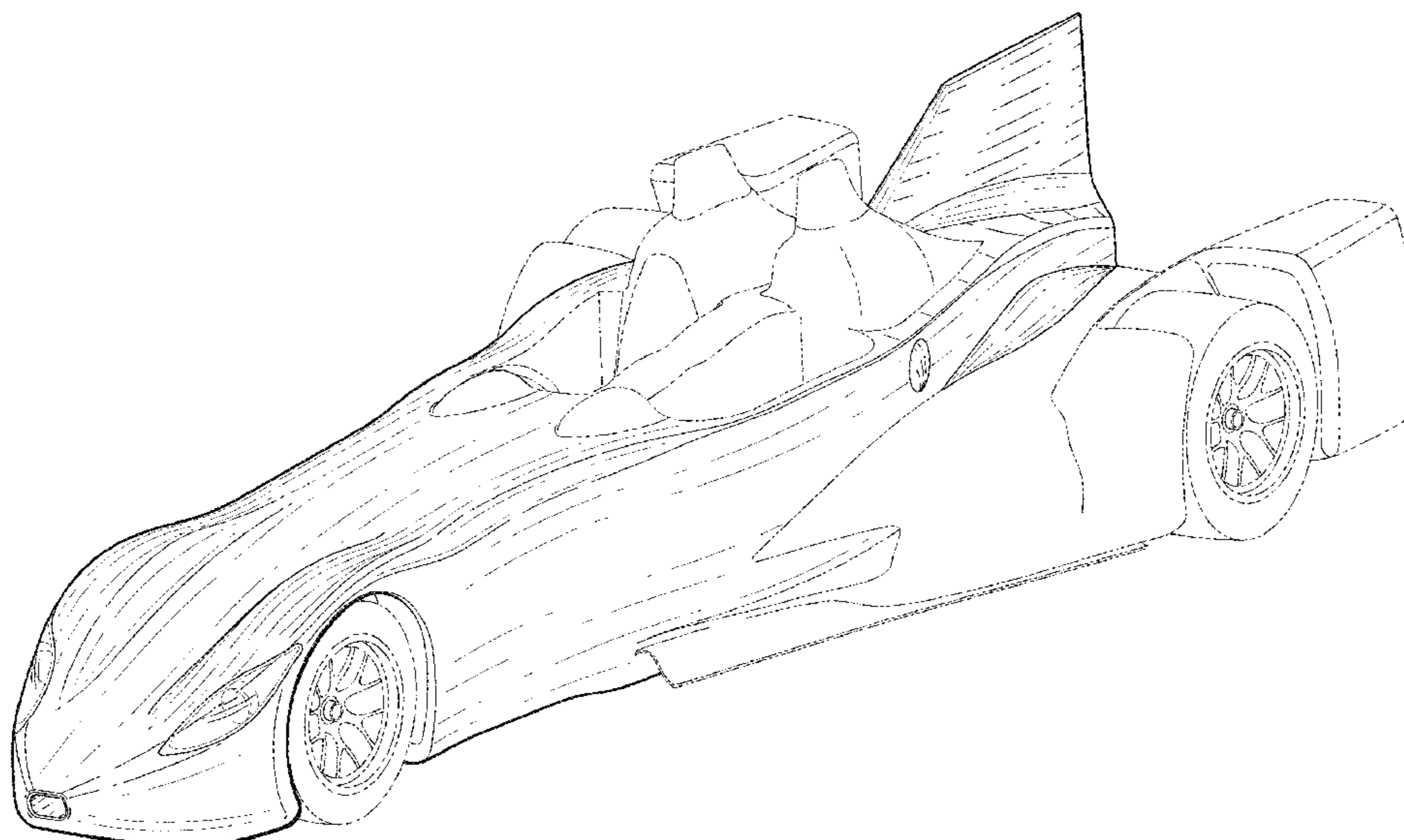
The broken lines shown in the drawings illustrate portions of the race car that form no part of the claimed design.

1 Claim, 6 Drawing Sheets

(56) **References Cited**

U.S. PATENT DOCUMENTS

D185,843 S *	8/1959	Norman	D12/92
D311,882 S *	11/1990	Furst	D12/92
5,056,860 A *	10/1991	Cornacchia et al.	296/180.5
D510,055 S *	9/2005	Yi	D12/88
D552,513 S *	10/2007	Castriota	D12/92
D587,629 S *	3/2009	Crijns	D12/88
D631,396 S *	1/2011	Ganassi et al.	D12/88
D643,780 S *	8/2011	Antao	D12/88



(56)

References Cited

OTHER PUBLICATIONS

Considine, Tim. "The Nissan DeltaWing: Development and Testing—Racing toward tomorrow." *Road & Track.*, May 31, 2012 [online], [retrieved on Jul. 25, 2014]. Retrieved from the Internet <URL: <http://www.roadandtrack.com/racing/the-nissan-deltawing-development-and-testing>>.*

Disney Collector Toys Club. "Nissan DeltaWing Racing at Road Atlanta New Race Car Global News." *YouTube.com.*, Oct. 11, 2012 [online], [retrieved on Jul. 25, 2014]. Retrieved from the Internet <URL: http://www.youtube.com/watch?v=W_Hxja_B8Ds>.*

* cited by examiner

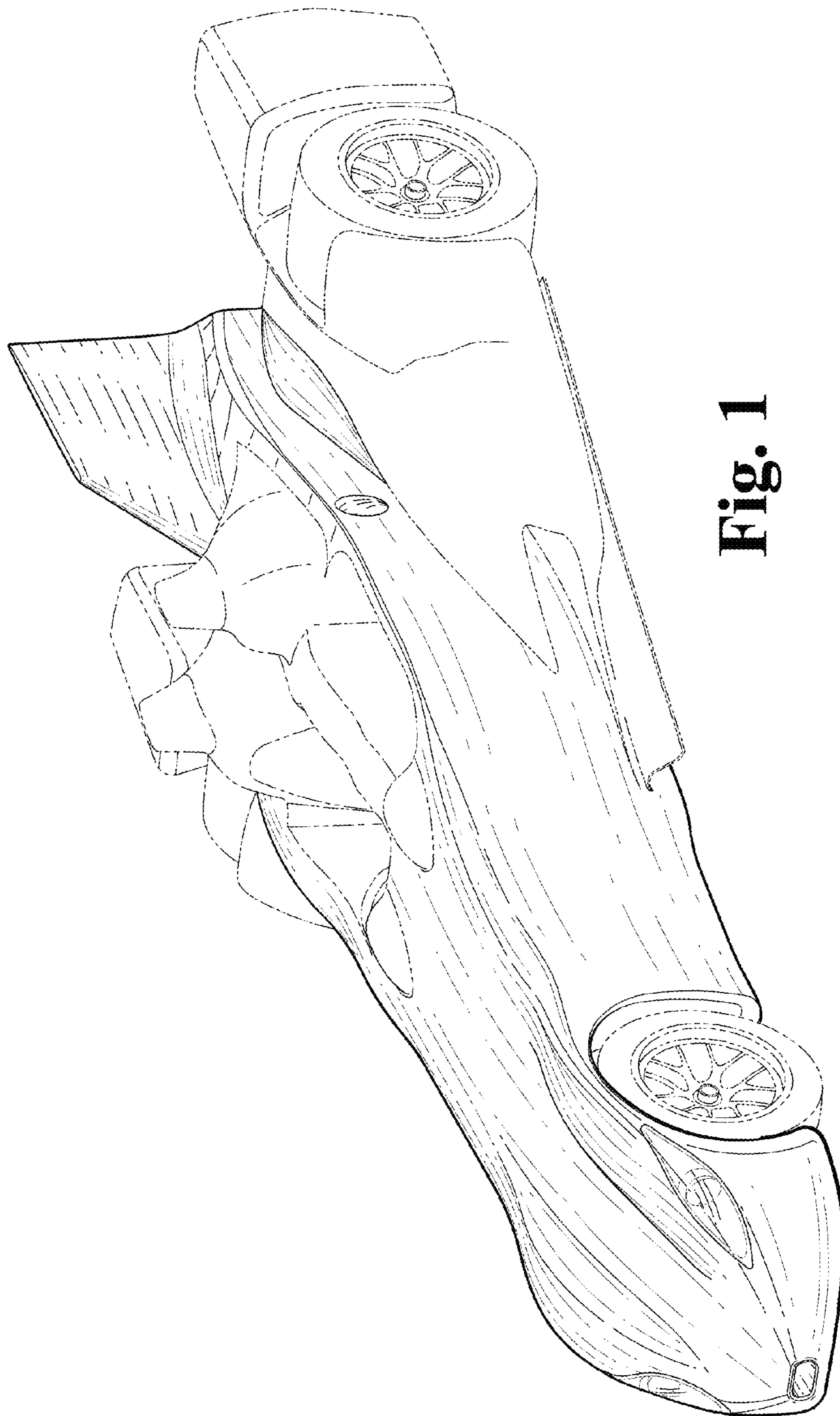


Fig. 1

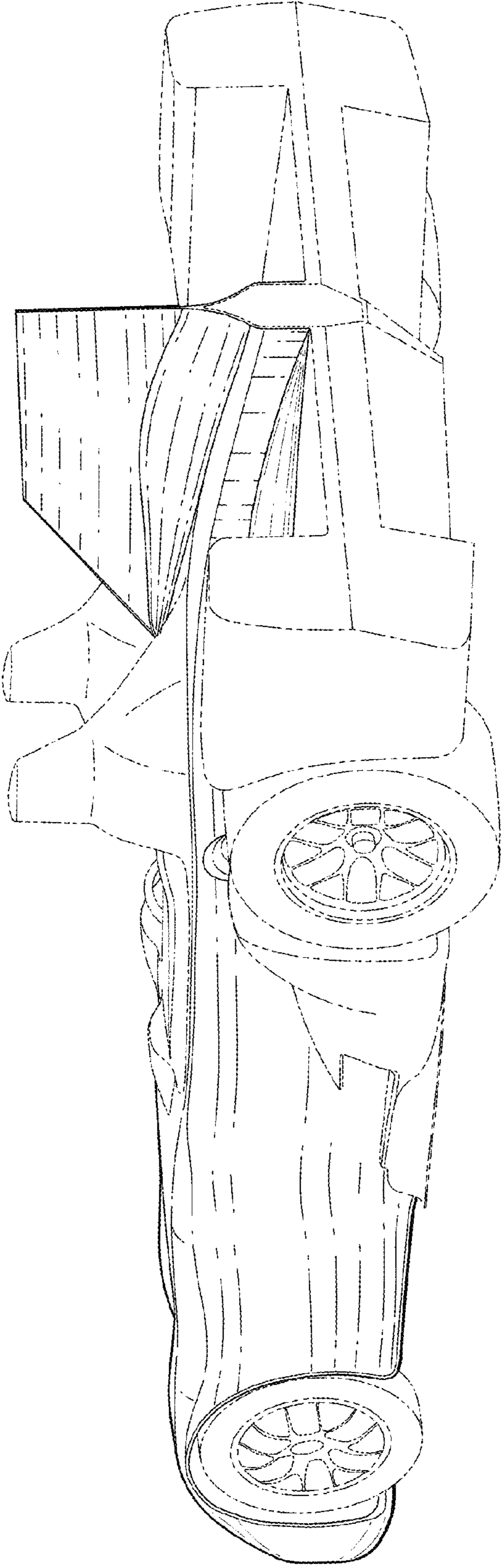


Fig. 2

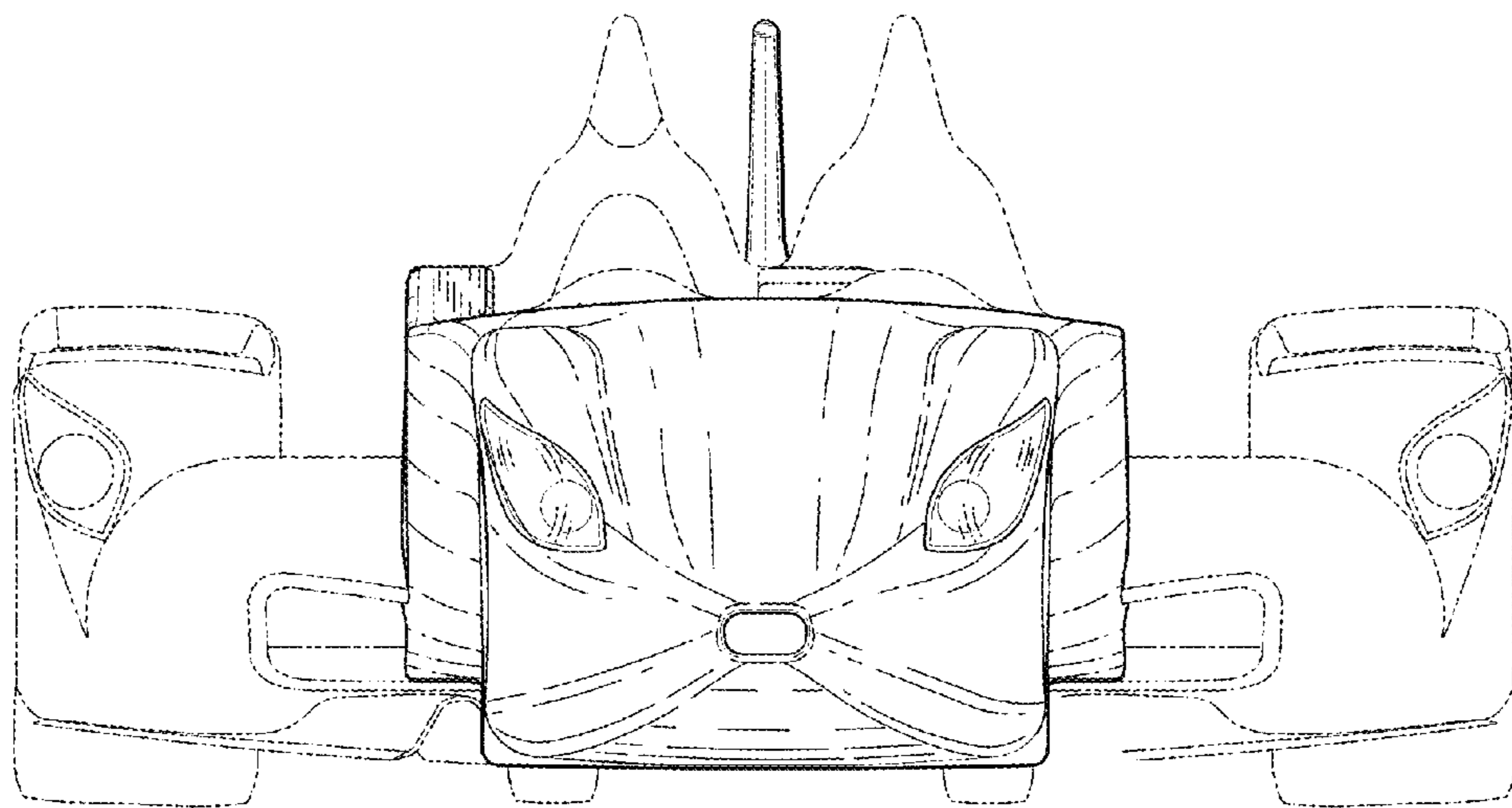


Fig. 3

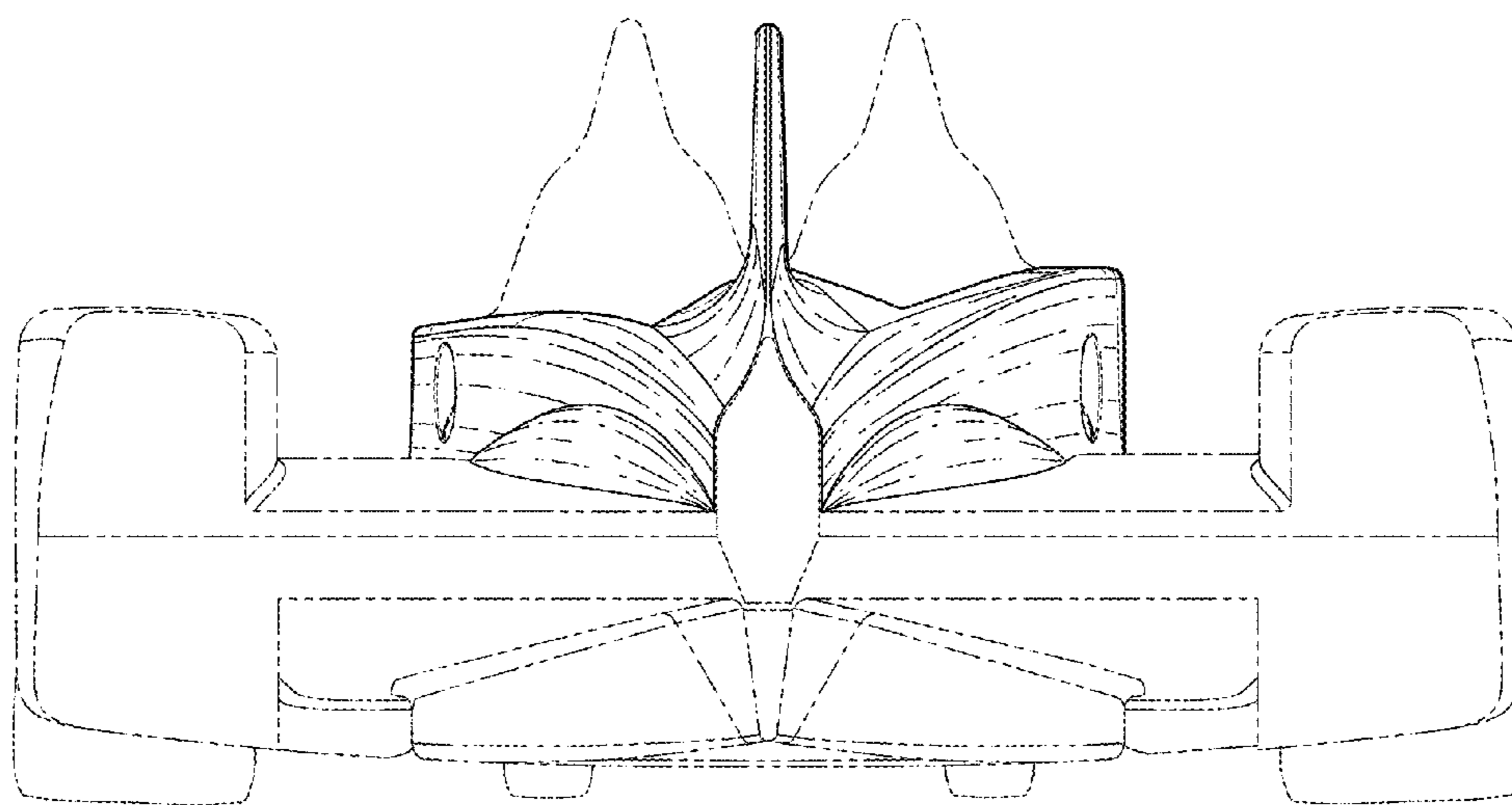


Fig. 4

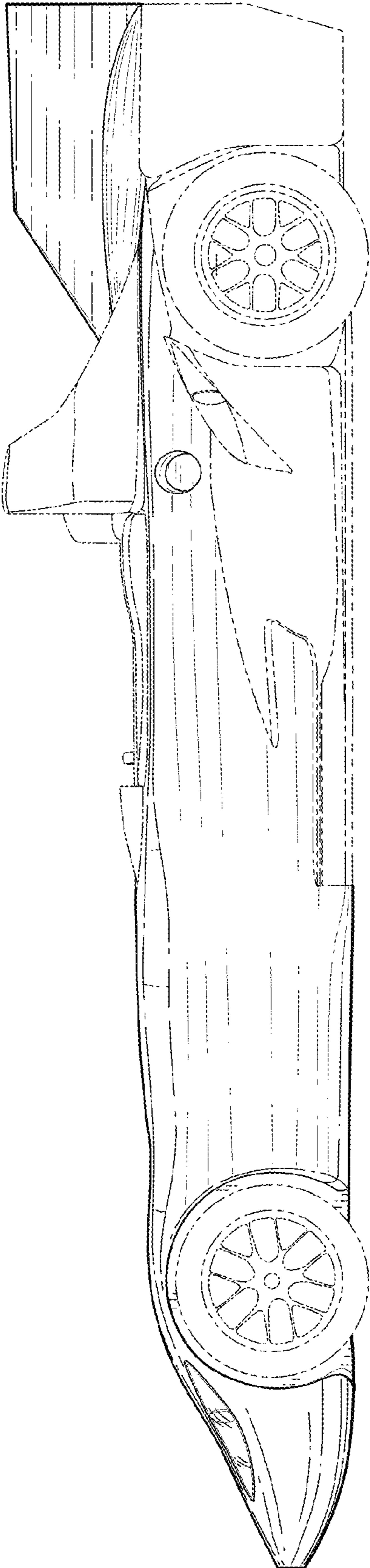


Fig. 5

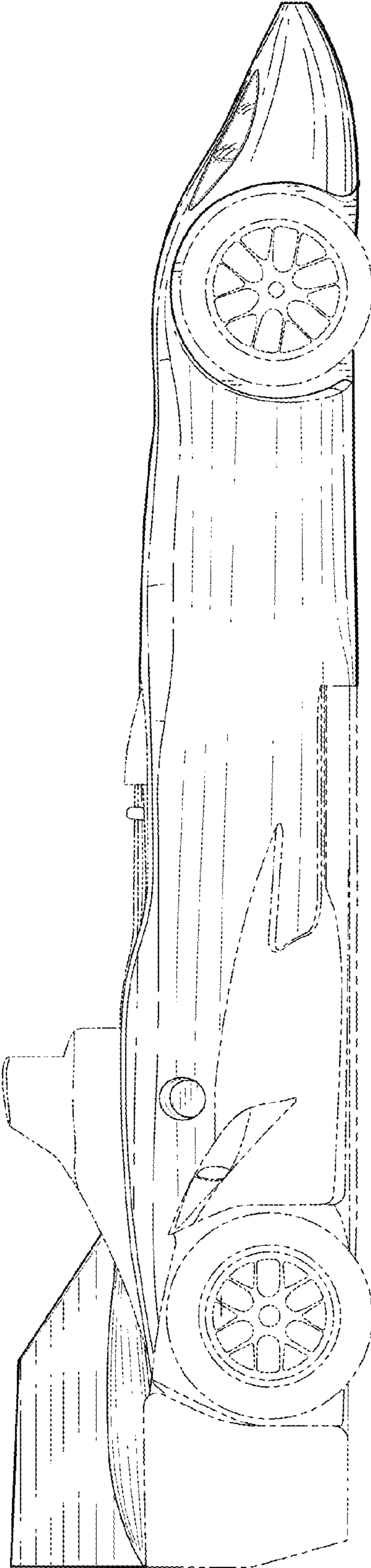


Fig. 6

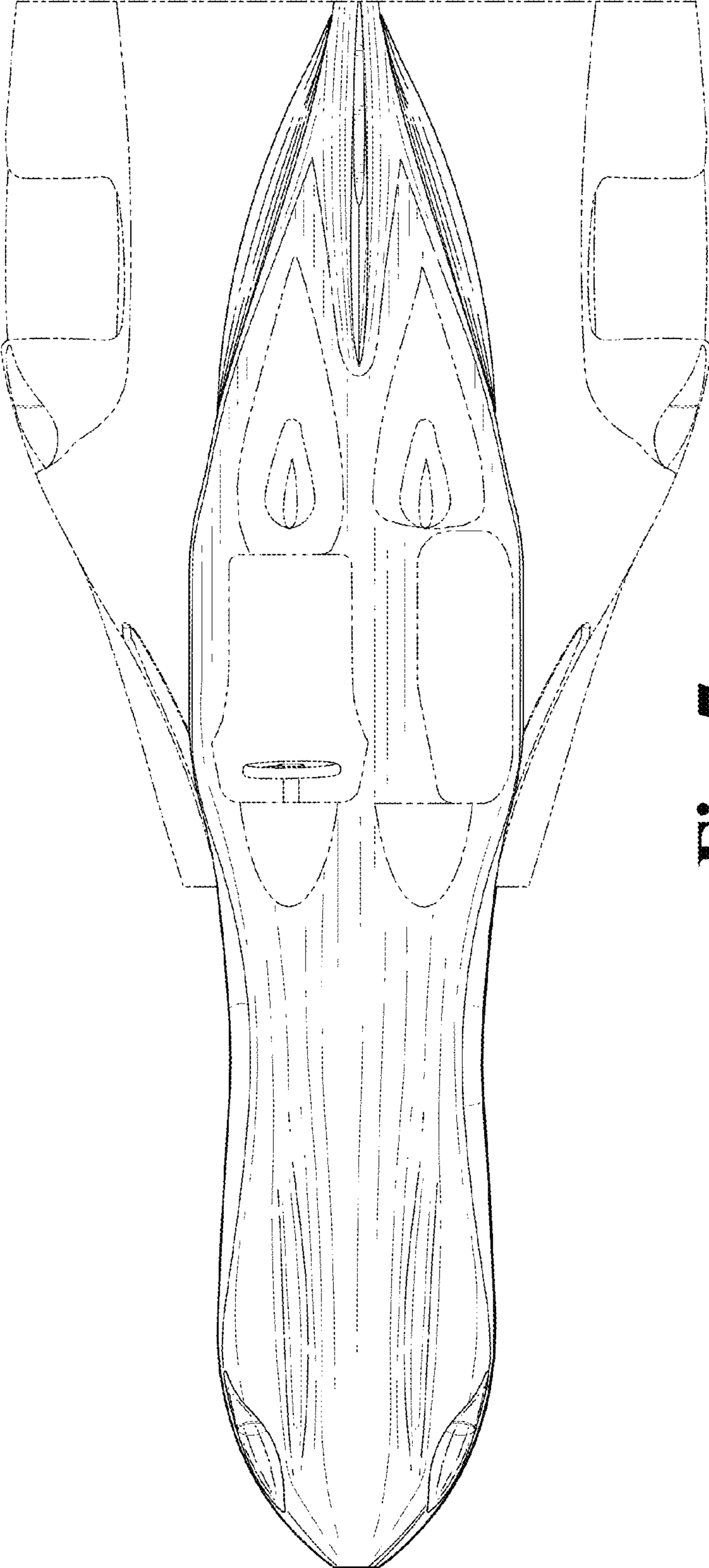


Fig. 7