



US00D732421S

(12) **United States Design Patent**
Cordova

(10) **Patent No.:** **US D732,421 S**
(45) **Date of Patent:** **** Jun. 23, 2015**

- (54) **PLANT POT DRAINAGE SAUCER**
- (71) Applicant: **Eric A. Cordova**, Bigfork, MT (US)
- (72) Inventor: **Eric A. Cordova**, Bigfork, MT (US)
- (**) Term: **14 Years**
- (21) Appl. No.: **29/483,788**
- (22) Filed: **Mar. 3, 2014**
- (51) **LOC (10) Cl.** **11-02**
- (52) **U.S. Cl.**
USPC **D11/164**
- (58) **Field of Classification Search**
USPC D11/164, 147, 152, 151, 184; 47/65.5,
47/71, 72, 39, 44; D7/354, 359, 551.1,
D7/553.6; 206/423; D6/403
See application file for complete search history.

6,047,499	A *	4/2000	Staas	47/71
D437,803	S *	2/2001	Sellers	D11/152
6,655,084	B1 *	12/2003	Missry	47/71
6,766,615	B2	7/2004	Smead		
D528,039	S *	9/2006	Sellers	D11/164
D632,607	S *	2/2011	Gillingham	D11/164
D721,009	S *	1/2015	Wagner	D11/164
2003/0136050	A1 *	7/2003	Smead	47/71
2009/0229180	A1 *	9/2009	Rich et al.	47/66.6

OTHER PUBLICATIONS

Clear Plant Saucer, Pots/Containers, hydroharrys.com, Searched 02/02/20105, <http://hydroharrys.com/catalog/clear-plant-saucer-4inch-p-4980.html?osCsid=a431283e5d07879b0d145056649e4168>.*
Plastic Plant Saucer, Planters and Stands, Plants and Planters, Outdoors, lowes.com, Searched Feb. 2, 2015, http://www.lowes.com/pd_85868-507-SP6_0___?productId=3079329.*

* cited by examiner

Primary Examiner — Eric Goodman

Assistant Examiner — Steven Czyz

(74) *Attorney, Agent, or Firm* — Morriss O'Bryant Compagni

(56) **References Cited**

U.S. PATENT DOCUMENTS

2,206,694	A *	7/1940	Greene	47/71
2,550,989	A *	5/1951	French et al.	248/506
2,605,588	A *	8/1952	Lindstaedt	47/79
2,770,957	A *	11/1956	Bronson	220/23.83
D240,957	S *	8/1976	Burke et al.	D11/164
D265,069	S *	6/1982	LeVan	D11/164
D322,768	S *	12/1991	Lillelund et al.	D11/147
D339,550	S *	9/1993	Wilder	D11/164
D363,255	S *	10/1995	Helms et al.	D11/164
5,481,826	A *	1/1996	Dickinson et al.	47/39
D367,244	S *	2/1996	Sellers	D11/164
D370,191	S *	5/1996	Dealen	D11/164
D373,328	S *	9/1996	Sellers	D11/164
D373,329	S *	9/1996	Sellers	D11/164
5,622,004	A *	4/1997	Gidge	47/71
D399,787	S *	10/1998	Wagner	D11/164
D399,788	S *	10/1998	Wagner	D11/164

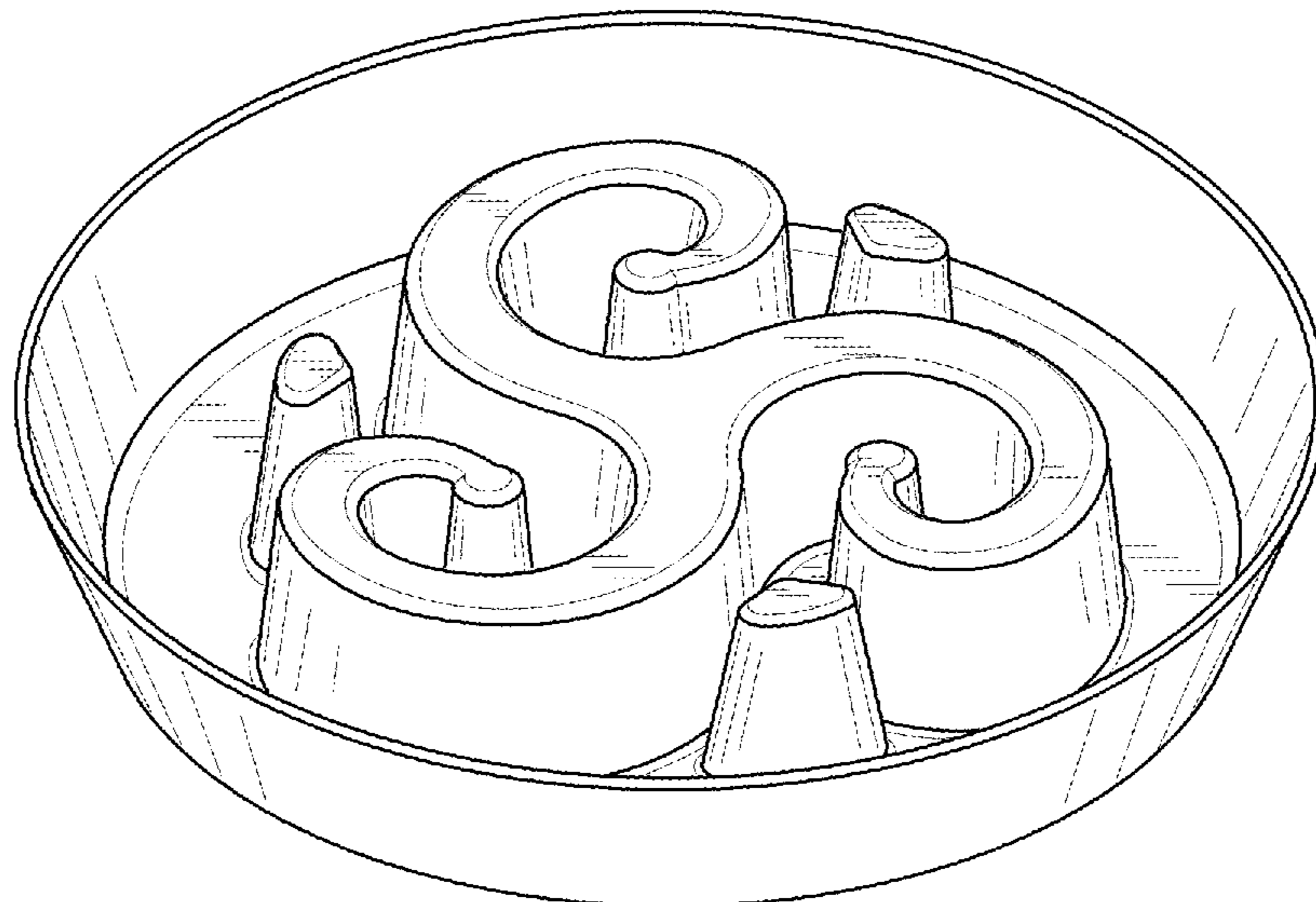
(57) **CLAIM**

The ornamental design for a plant pot drainage saucer, as shown and described.

DESCRIPTION

FIG. 1 is a front perspective view of the saucer;
FIG. 2 is a bottom perspective view of the saucer;
FIG. 3 is a top view of the saucer;
FIG. 4 is a bottom view of the saucer;
FIG. 5 is a side view of the saucer; and,
FIG. 6 is a sectional view taken along the line 6-6 of FIG. 3.

1 Claim, 3 Drawing Sheets



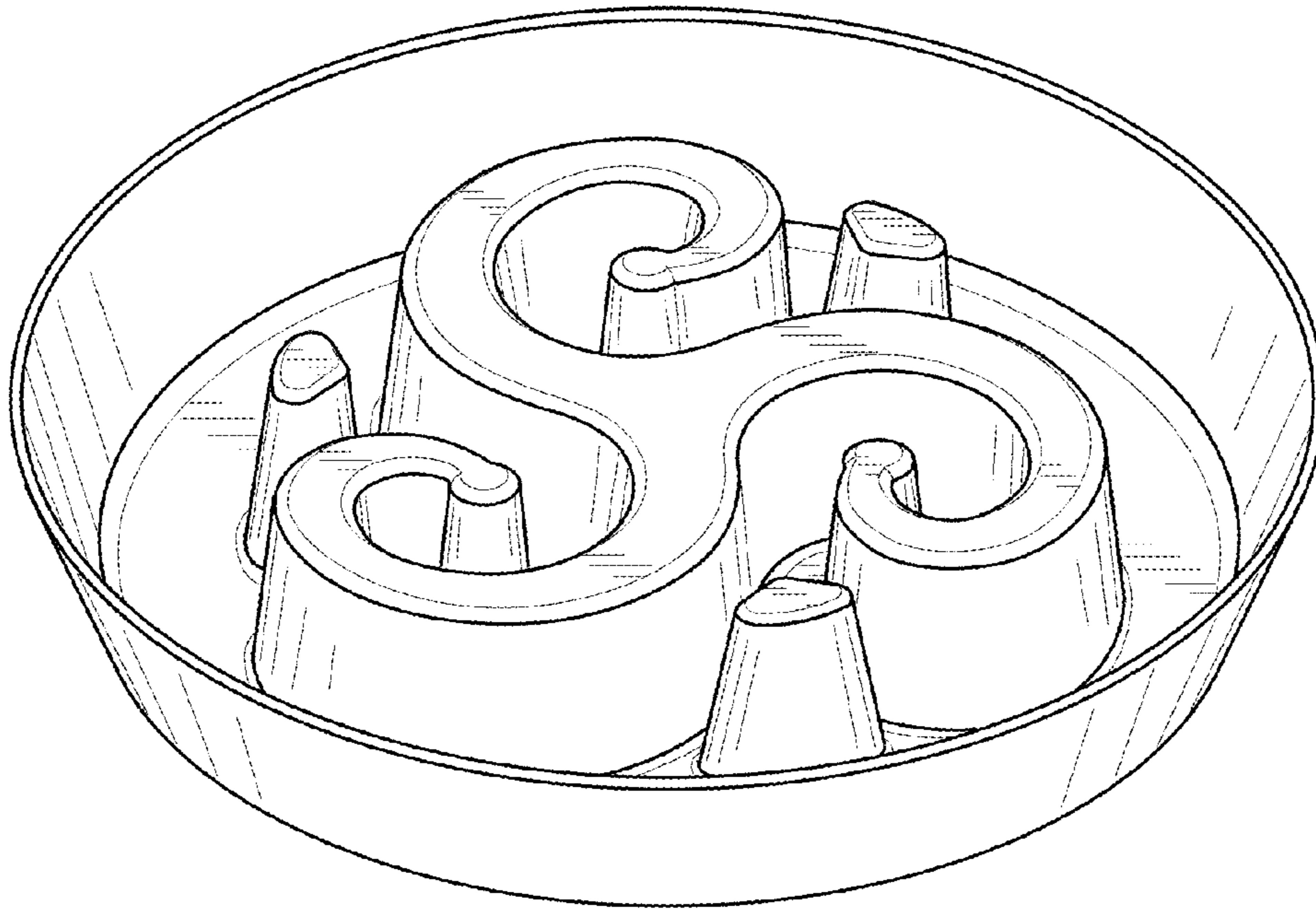


FIG. 1

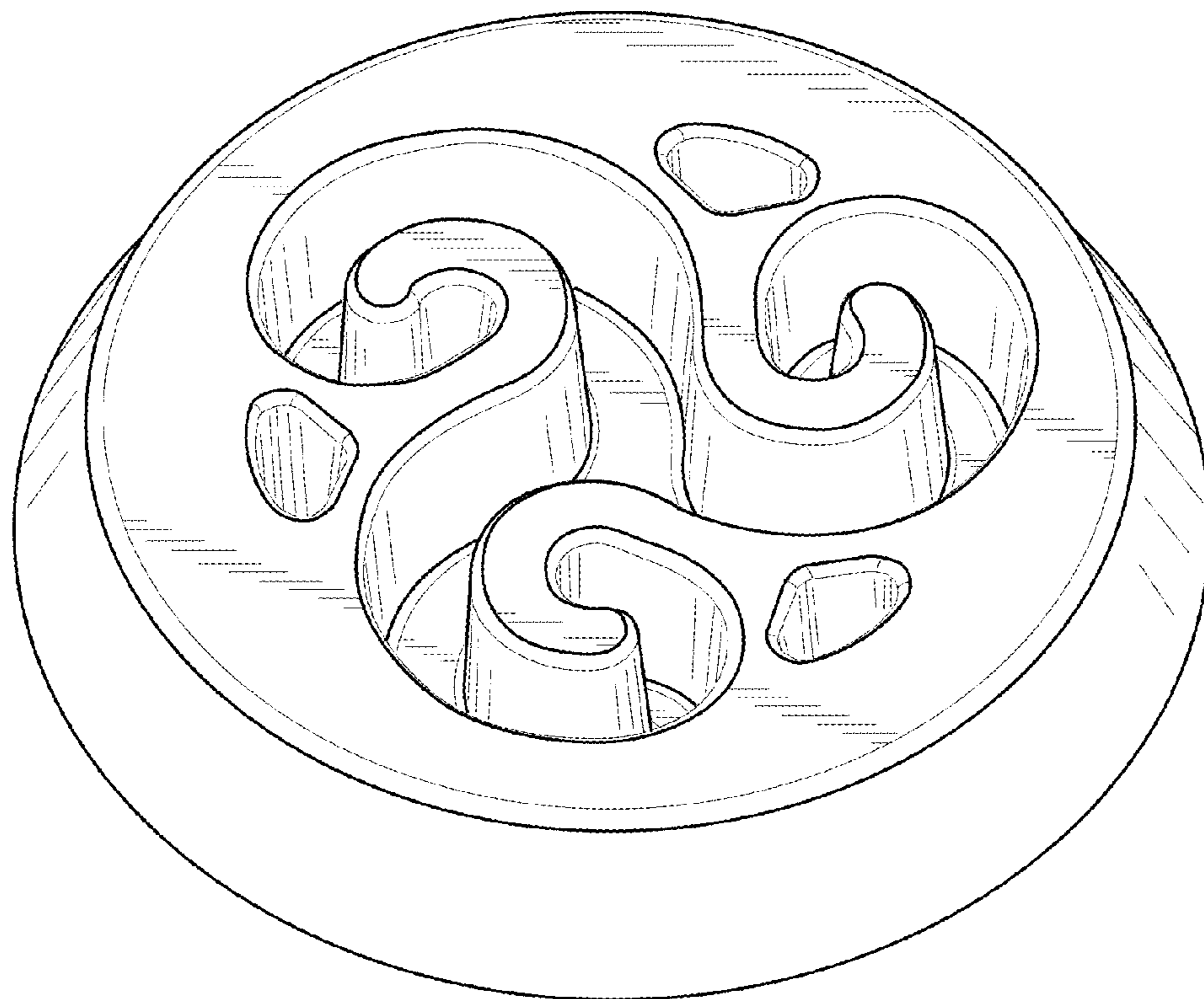


FIG. 2



FIG. 3



FIG. 4

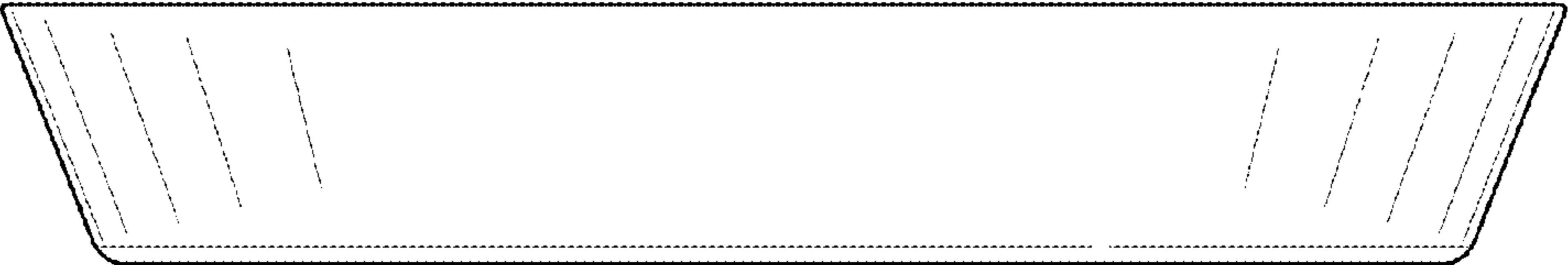


FIG. 5

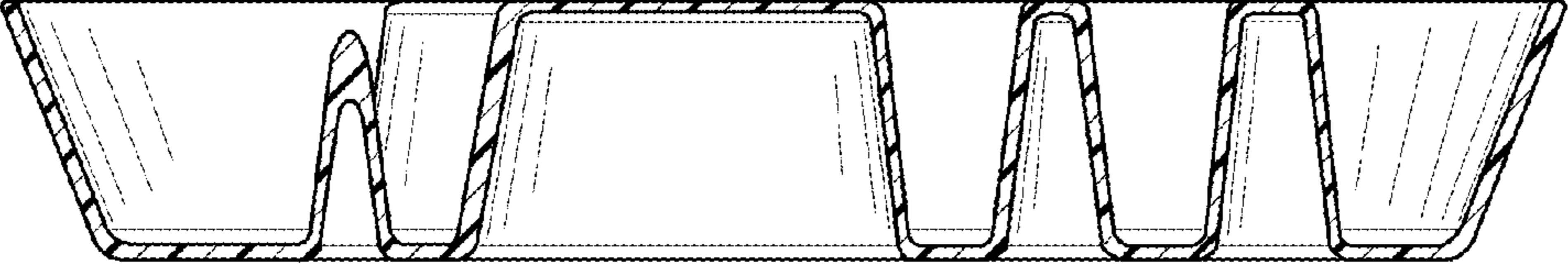


FIG. 6