



US00D732420S

(12) **United States Design Patent**
Wachob

(10) **Patent No.:** **US D732,420 S**
(45) **Date of Patent:** **** Jun. 23, 2015**

- (54) **GOLF CLUB TROPHY**
- (71) Applicant: **Charles Wachob**, Americus, GA (US)
- (72) Inventor: **Charles Wachob**, Americus, GA (US)
- (**) Term: **14 Years**
- (21) Appl. No.: **29/459,984**
- (22) Filed: **Jul. 5, 2013**
- (51) **LOC (10) Cl.** **11-02**
- (52) **U.S. Cl.**
USPC **D11/131**
- (58) **Field of Classification Search**
USPC D11/131, 133, 157, 184; D21/319, 708,
D21/733
CPC A63B 53/04; A63B 59/0088; A63B
2053/0433; A63F 7/0628
See application file for complete search history.

(56) **References Cited**

U.S. PATENT DOCUMENTS

2,111,249	A *	3/1938	Plese	473/233
D248,936	S	8/1978	Lohan		
4,323,630	A *	4/1982	Mackey et al.	428/542.4
D275,744	S *	10/1984	McJunkin et al.	D11/157
D279,556	S *	7/1985	McJunkin	D11/133
D279,558	S *	7/1985	McJunkin	D11/157
D283,874	S *	5/1986	Fontannaz	D10/6
4,809,982	A	3/1989	Kobayashi		
D303,666	S *	9/1989	Kingery	D14/143
D321,844	S *	11/1991	Nys	D11/157
5,322,739	A *	6/1994	Stagl	428/542.4
5,529,303	A	6/1996	Chen		
D372,886	S *	8/1996	Walker	D11/131
D436,149	S *	1/2001	Helmstetter et al.	D21/748

D460,515	S *	7/2002	Schumacher	D22/139
D503,947	S *	4/2005	Shirley	D16/227
D538,707	S *	3/2007	Park	D11/157
8,283,045	B2 *	10/2012	Stoelting	428/542.4
2008/0004134	A1 *	1/2008	Roach et al.	473/350
2010/0317461	A1 *	12/2010	Jertson et al.	473/349
2013/0085012	A1 *	4/2013	Boyd et al.	473/342
2014/0228149	A1 *	8/2014	Cole et al.	473/329

OTHER PUBLICATIONS

<http://www.ebay.com/itm/4-x-small-metal-golf-clubs-golfing-club-trophy-topper-putter-driver-figural-/111588776769> Found Feb. 3, 2015.*

* cited by examiner

Primary Examiner — Eric Goodman
Assistant Examiner — Amy Wierenga
(74) *Attorney, Agent, or Firm* — Crossley Patent Law

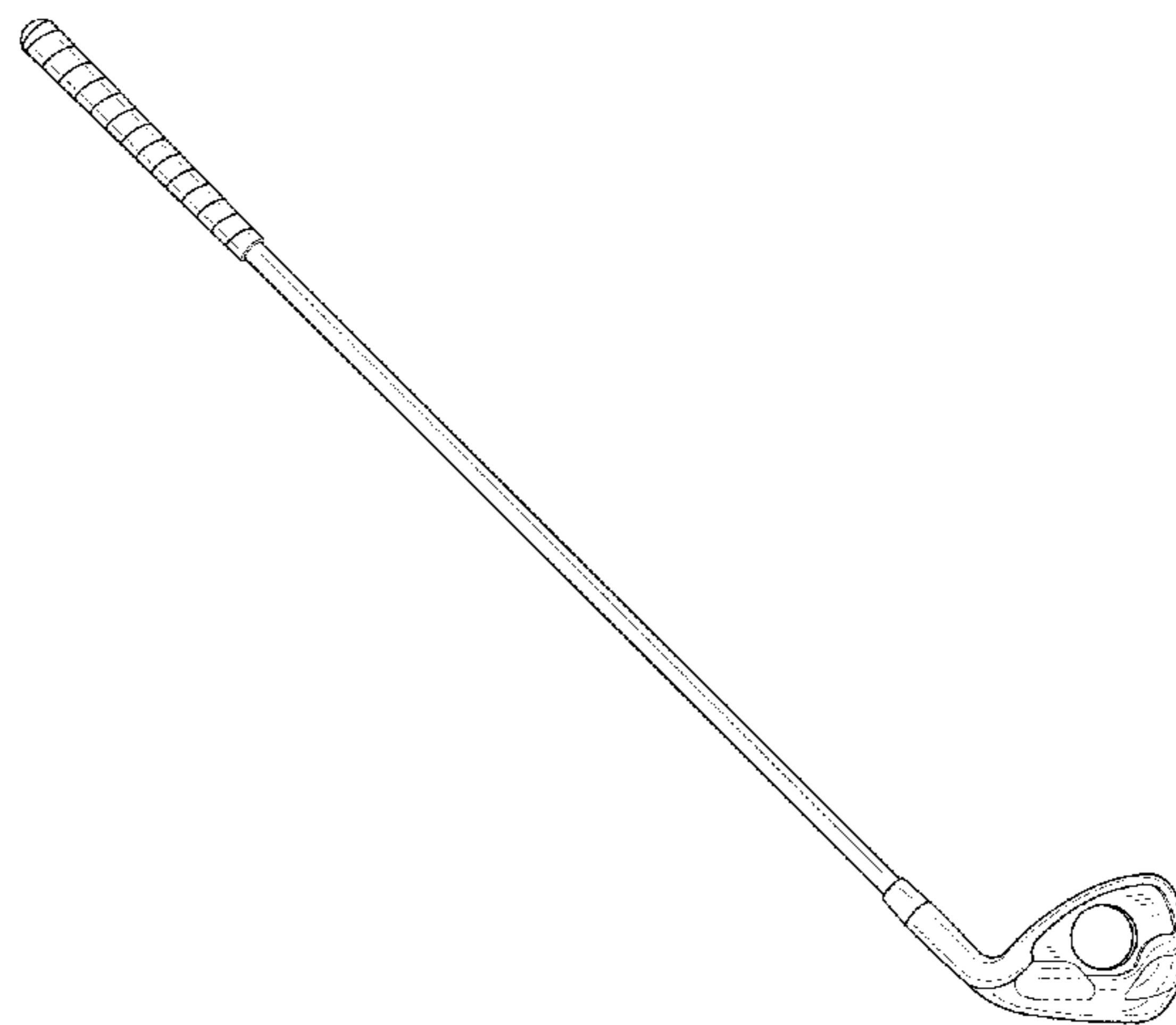
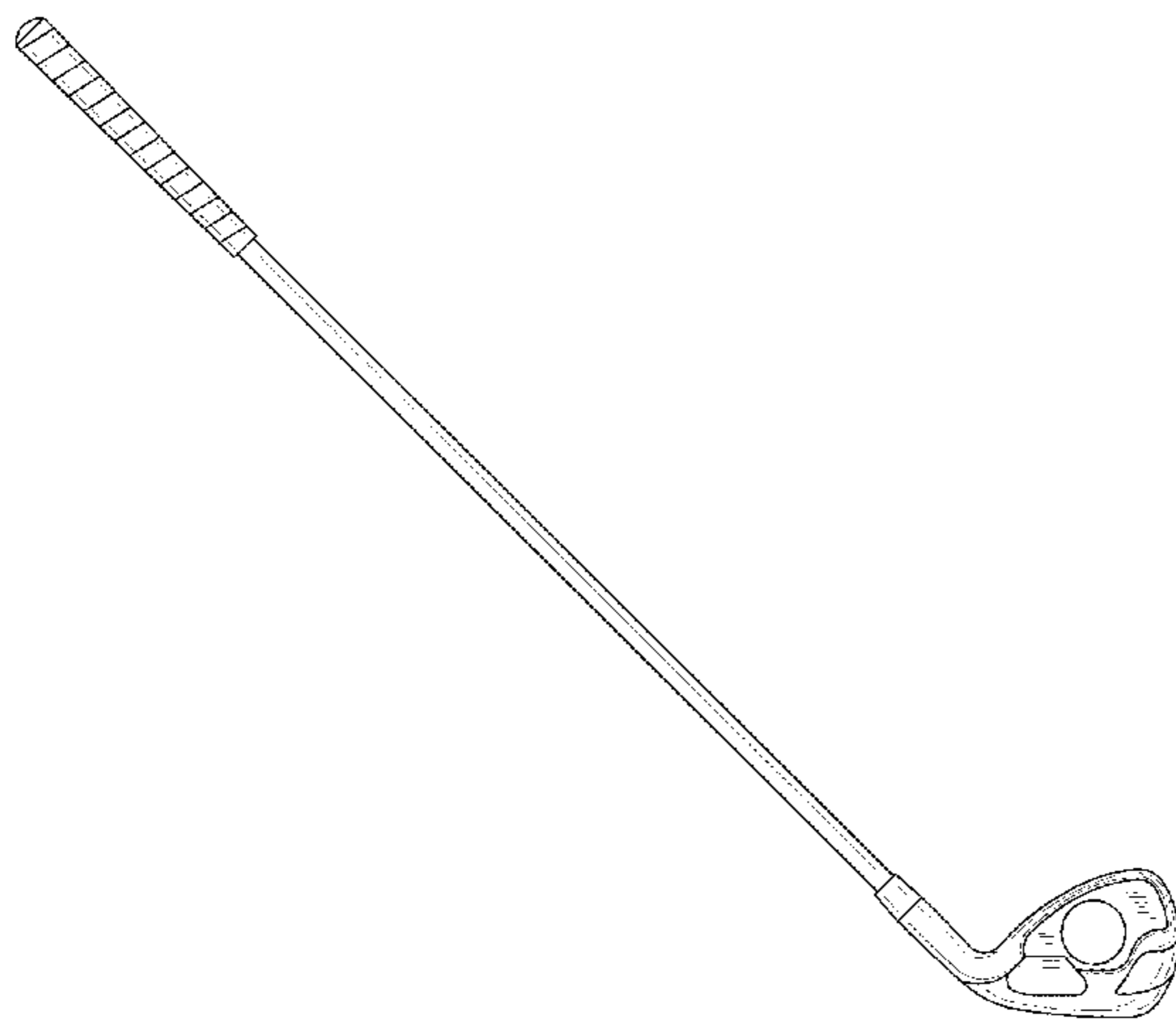
(57) **CLAIM**

The ornamental design for a golf club trophy, as shown and described.

DESCRIPTION

FIG. 1 is a rear elevation view of a golf club trophy showing my new design;
FIG. 2 is a front elevation view thereof;
FIG. 3 is a right side elevation view thereof;
FIG. 4 is a left side elevation view thereof;
FIG. 5 is a top plan view thereof;
FIG. 6 is a bottom plan view thereof; and,
FIG. 7 is an isometric view thereof.

1 Claim, 5 Drawing Sheets



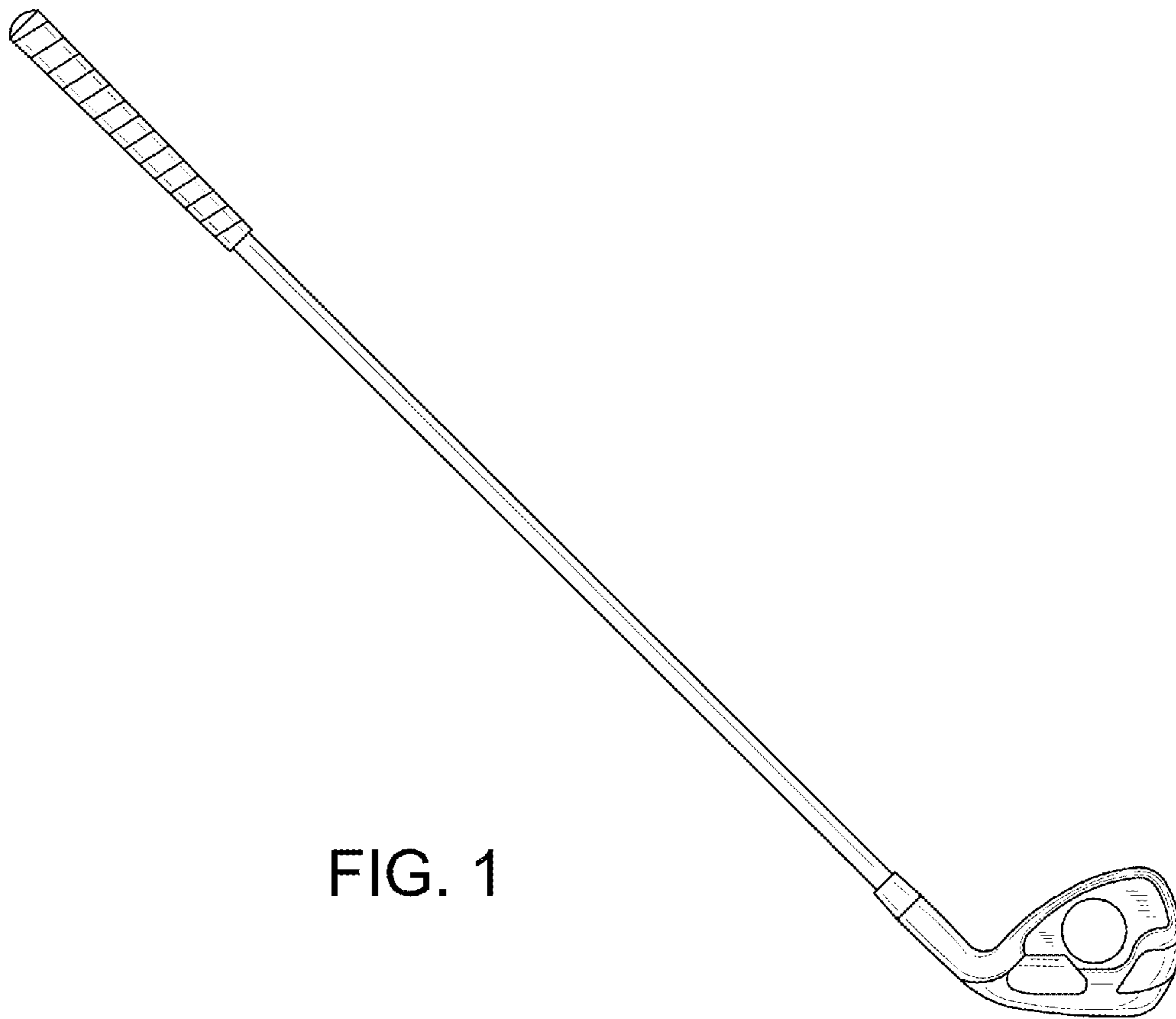


FIG. 1

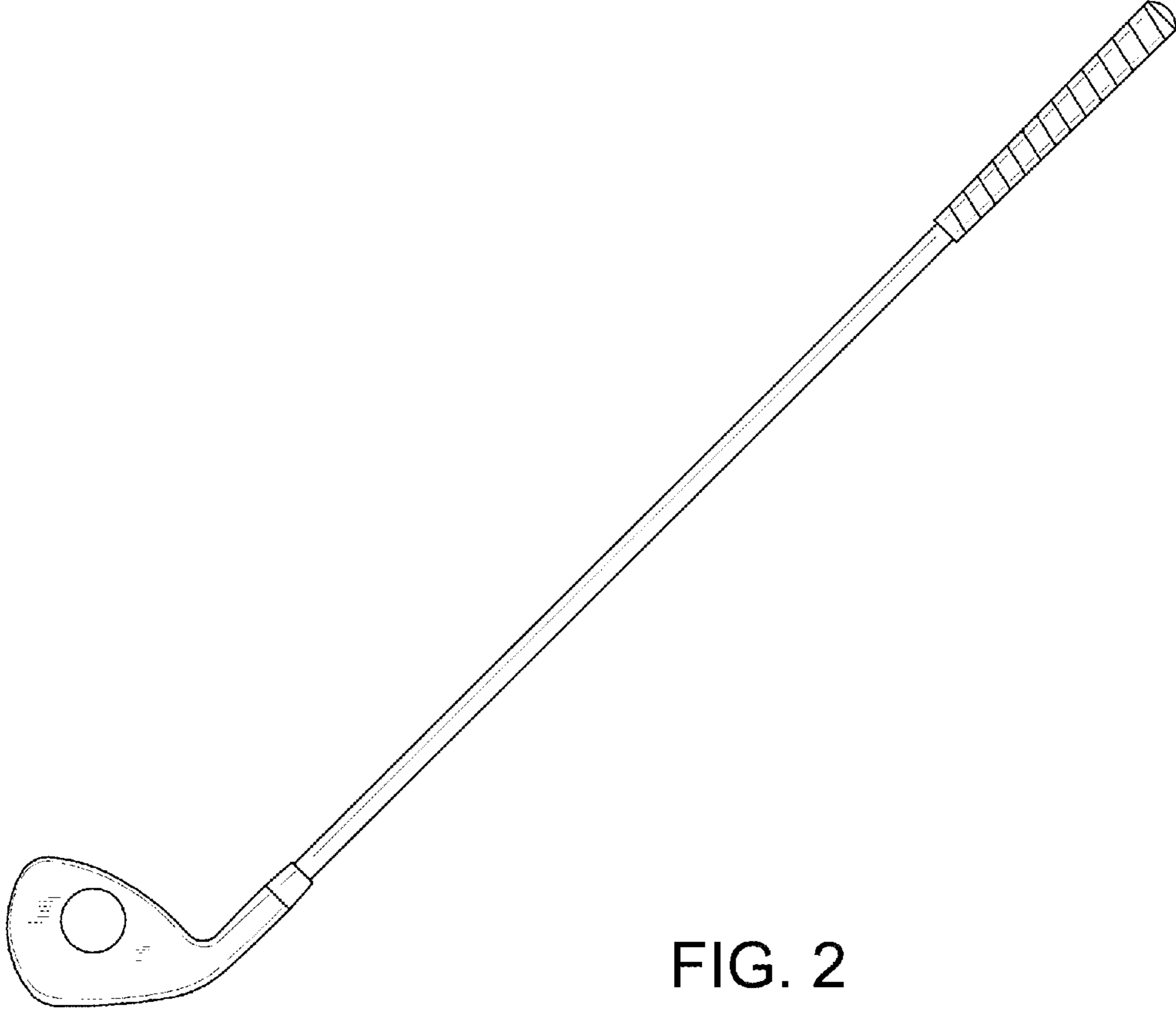


FIG. 2

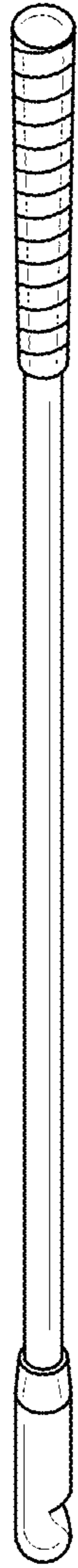


FIG. 3

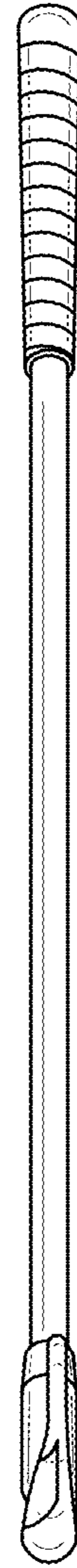


FIG. 4

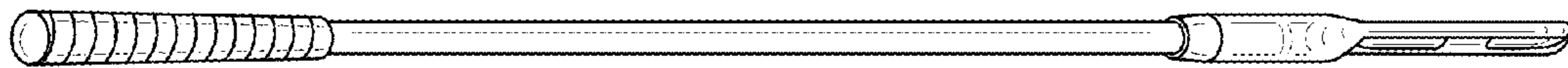


FIG. 5

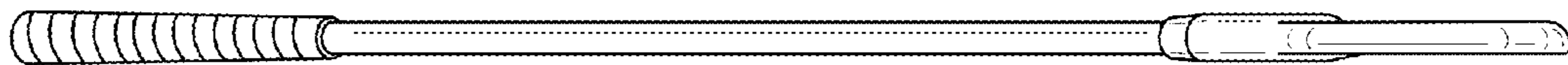


FIG. 6

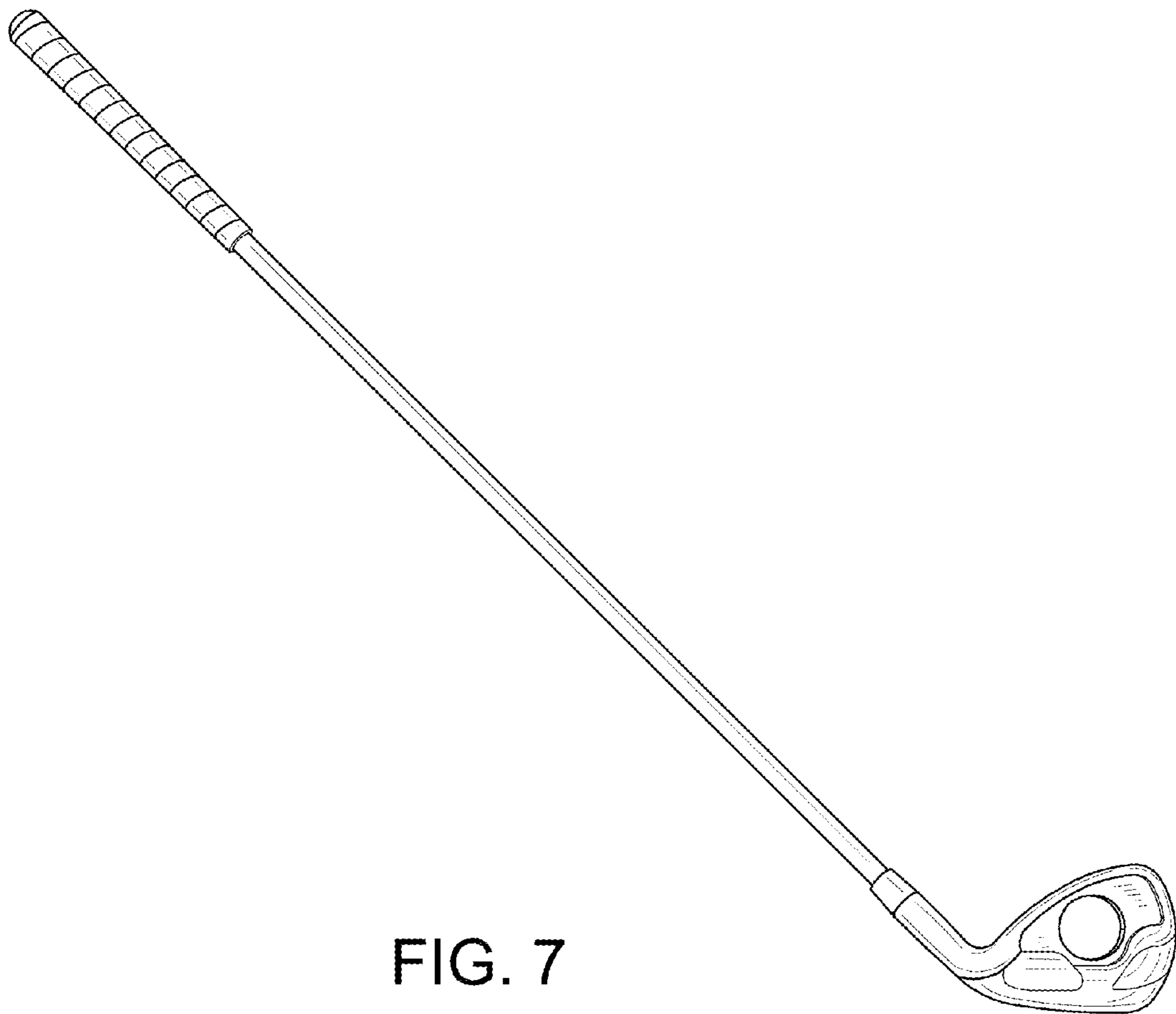


FIG. 7