



US00D732418S

(12) **United States Design Patent**
Crafton et al.

(10) **Patent No.:** **US D732,418 S**

(45) **Date of Patent:** **** Jun. 23, 2015**

(54) **CHARM**

(71) Applicants: **Casey Crafton**, Chevy Chase, MD (US);
Lisa Szymanski Crafton, Chevy Chase,
MD (US); **Christopher Luke Crafton**,
Chevy Chase, MD (US); **McKenzie**
Elizabeth Crafton, Chevy Chase, MD
(US); **Gabriella Marie Crafton**, Chevy
Chase, MD (US)

(72) Inventors: **Casey Crafton**, Chevy Chase, MD (US);
Lisa Szymanski Crafton, Chevy Chase,
MD (US); **Christopher Luke Crafton**,
Chevy Chase, MD (US); **McKenzie**
Elizabeth Crafton, Chevy Chase, MD
(US); **Gabriella Marie Crafton**, Chevy
Chase, MD (US)

(**) Term: **14 Years**

(21) Appl. No.: **29/467,442**

(22) Filed: **Sep. 19, 2013**

(51) **LOC (10) Cl.** **11-01**

(52) **U.S. Cl.**
USPC **D11/86**

(58) **Field of Classification Search**
USPC D11/1-2, 7, 40-44, 46-49, 53, 56, 57,
D11/59-61, 63, 65, 79-83, 86-87, 89-90,
D11/91-92, 99, 101, 106, 114-116,
D11/200-201; 63/18-20
CPC A44C 5/02
See application file for complete search history.

(56) **References Cited**

U.S. PATENT DOCUMENTS

| | | | | | |
|--------------|------|---------|------------------|-------|---------|
| 3,391,461 | A * | 7/1968 | Johnson | | 433/17 |
| 4,249,897 | A * | 2/1981 | Anderson | | 433/8 |
| D273,472 | S * | 4/1984 | Goldstein | | D11/75 |
| D302,588 | S * | 8/1989 | Jones | | D24/180 |
| D504,950 | S * | 5/2005 | Lai et al. | | D24/180 |
| D516,952 | S * | 3/2006 | Kingsford et al. | | D11/200 |
| D519,056 | S * | 4/2006 | Yoshiguchi | | D11/200 |
| 7,140,875 | B2 * | 11/2006 | Lai et al. | | 433/8 |
| D601,260 | S * | 9/2009 | Romano et al. | | D24/180 |
| D660,743 | S * | 5/2012 | Crafton | | D11/41 |
| D691,913 | S * | 10/2013 | Outland | | D11/79 |
| D711,759 | S * | 8/2014 | Salzer et al. | | D11/3 |
| 2007/0259302 | A1 * | 11/2007 | Jayawardena | | 433/10 |
| 2010/0178628 | A1 * | 7/2010 | Kim | | 433/10 |

* cited by examiner

Primary Examiner — Zenia Bennett

(74) *Attorney, Agent, or Firm* — Garcia-Zamor IP Law; Ruy M. Garcia-Zamor

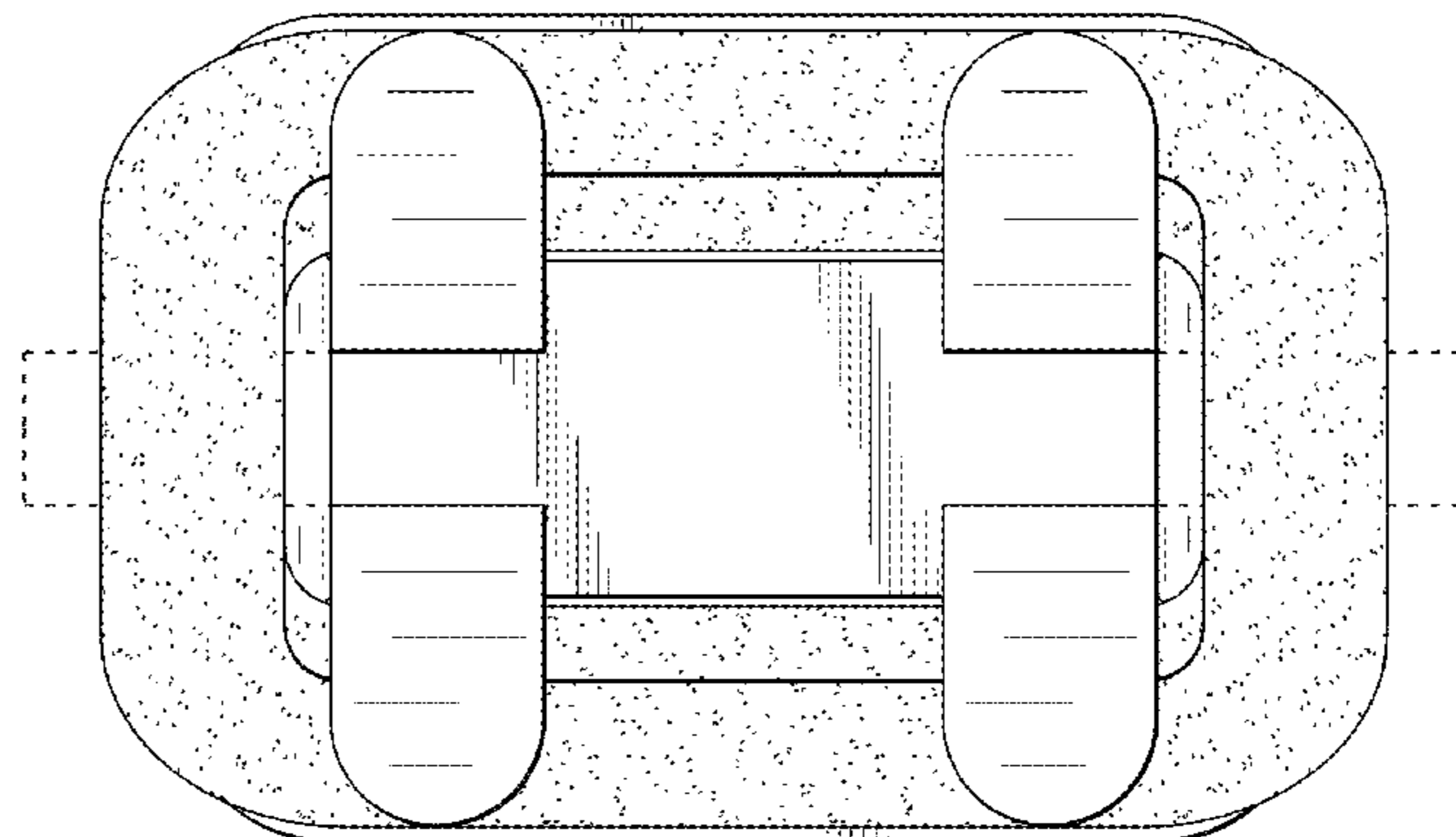
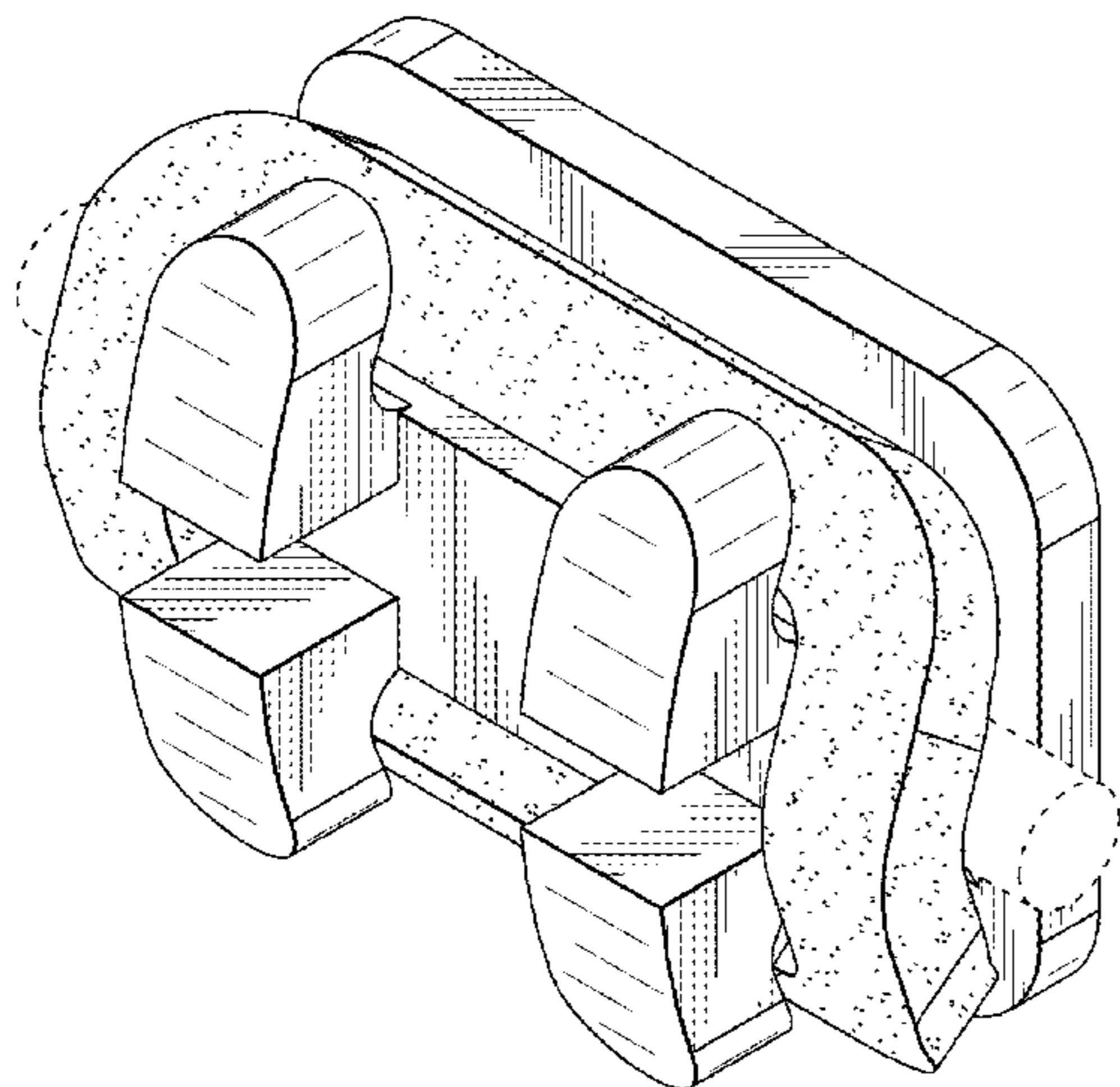
(57) **CLAIM**

We claim a new ornamental design for a charm, as shown and described.

DESCRIPTION

FIG. 1 is a perspective view of a charm according to a second preferred embodiment of our new design; FIG. 2 is a front elevational view of the charm of FIG. 1; FIG. 3 is a rear elevational view of the charm of FIG. 1; FIG. 4 is a left side elevational view of the charm of FIG. 1; FIG. 5 is a right side elevational view of the charm of FIG. 1; FIG. 6 is a top plan view of the charm of FIG. 1; and, FIG. 7 is a bottom plan view of the charm of FIG. 1. The broken lines in FIGS. 1-7 represent environment and are for illustrative purposes and do not constitute part of the claimed design. The phantom lines in FIGS. 1-7 represent the boundary between claimed and unclaimed matter.

1 Claim, 3 Drawing Sheets



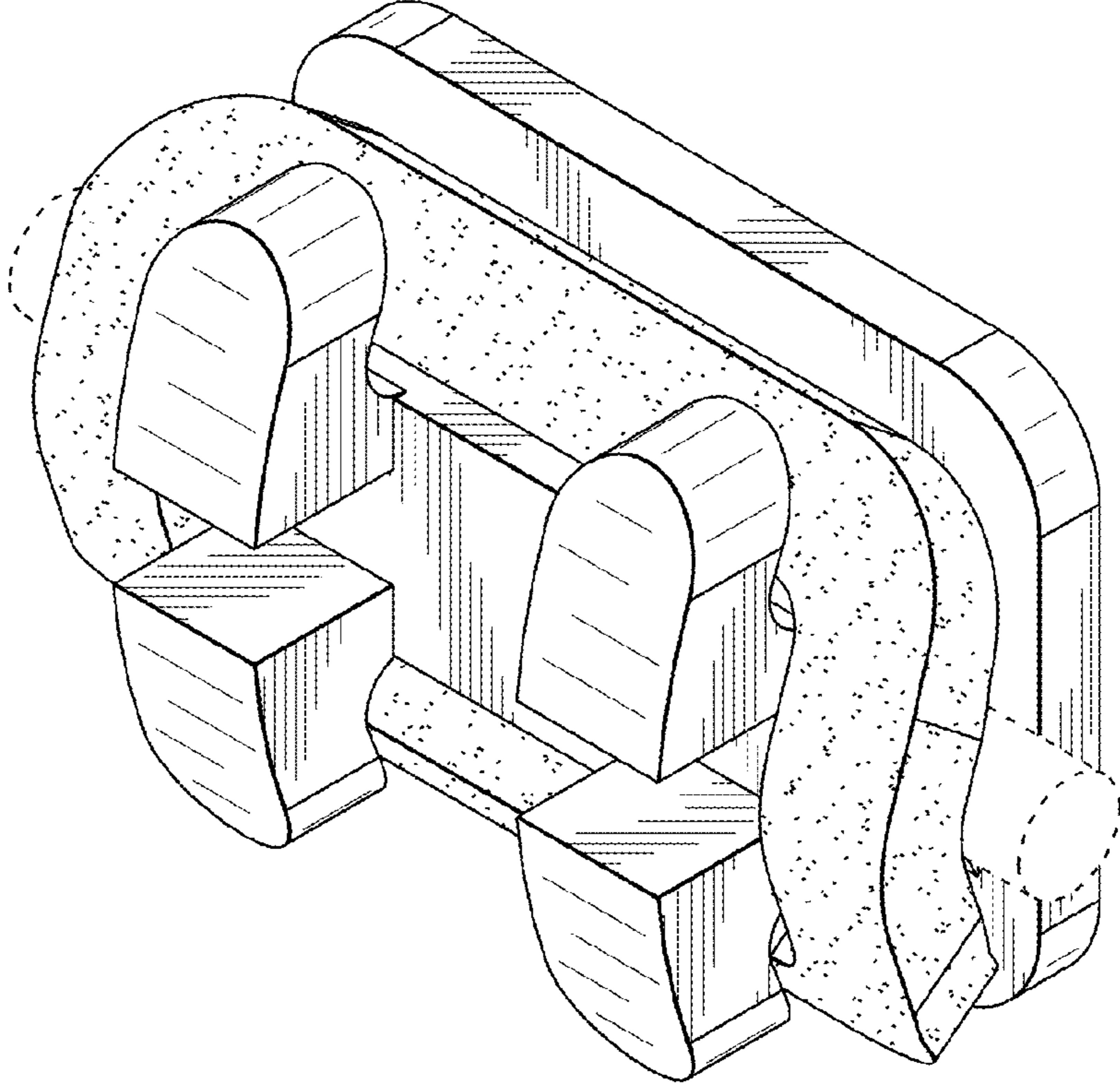


FIG. 1

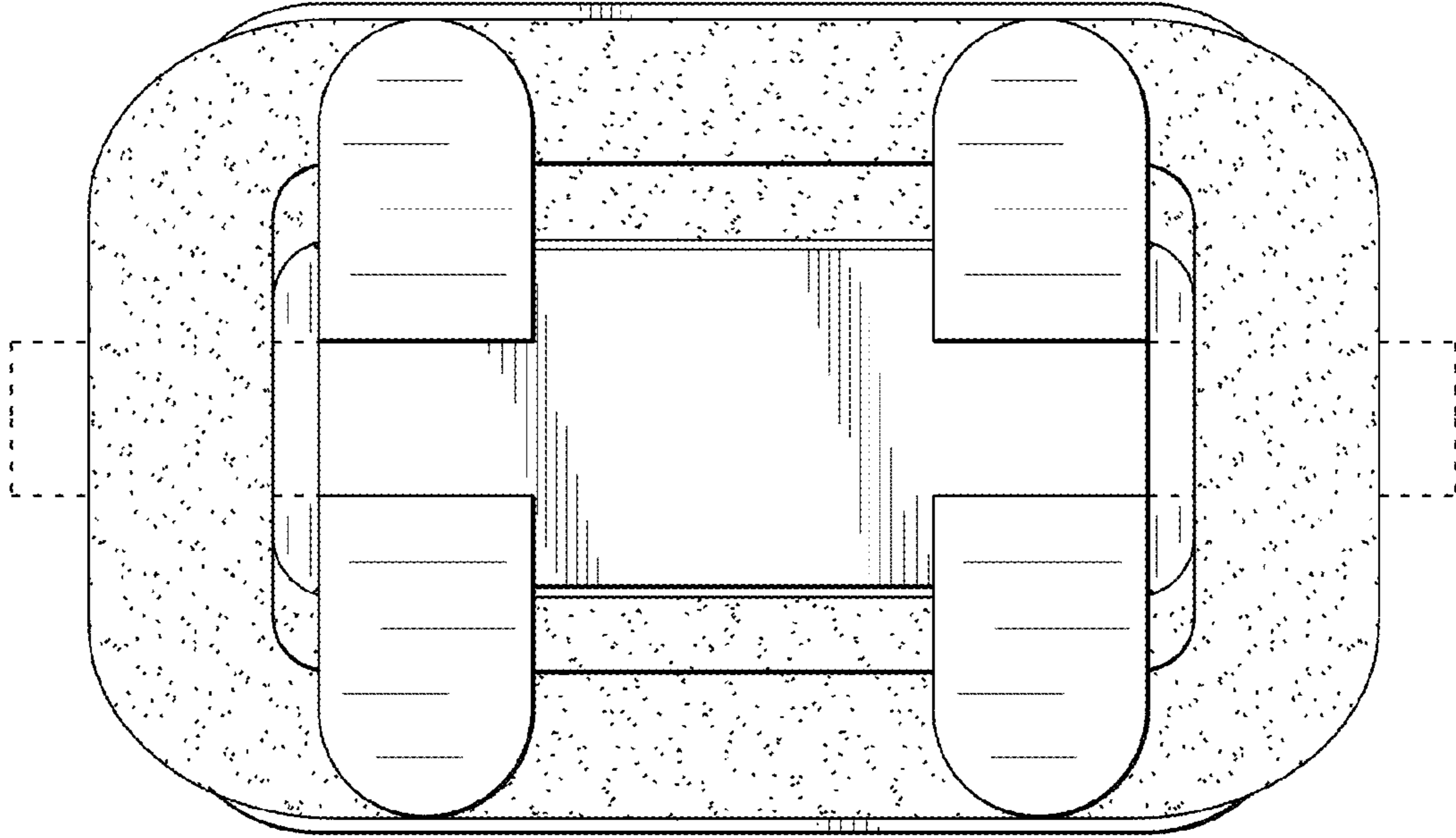


FIG. 2

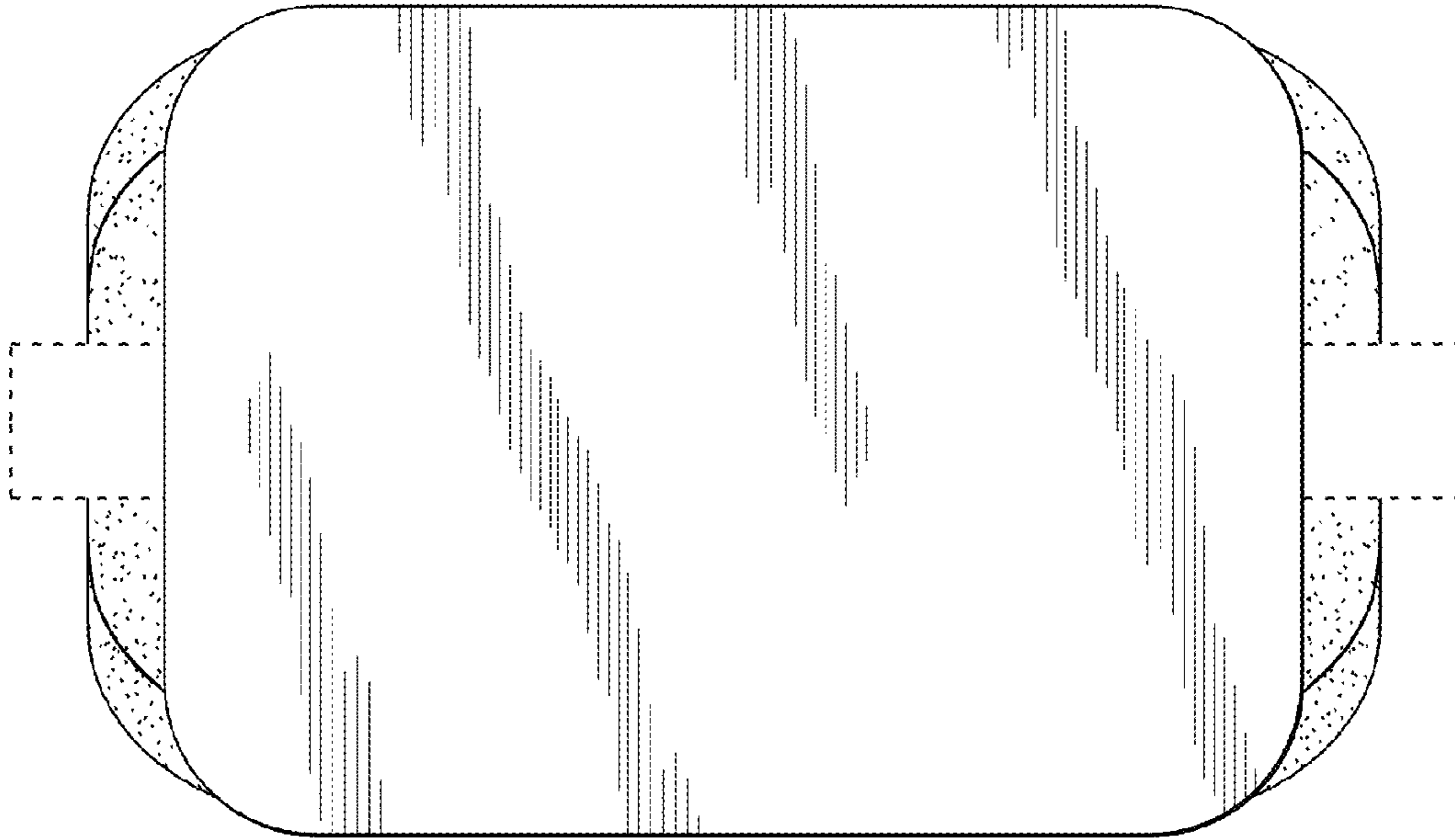


FIG. 3

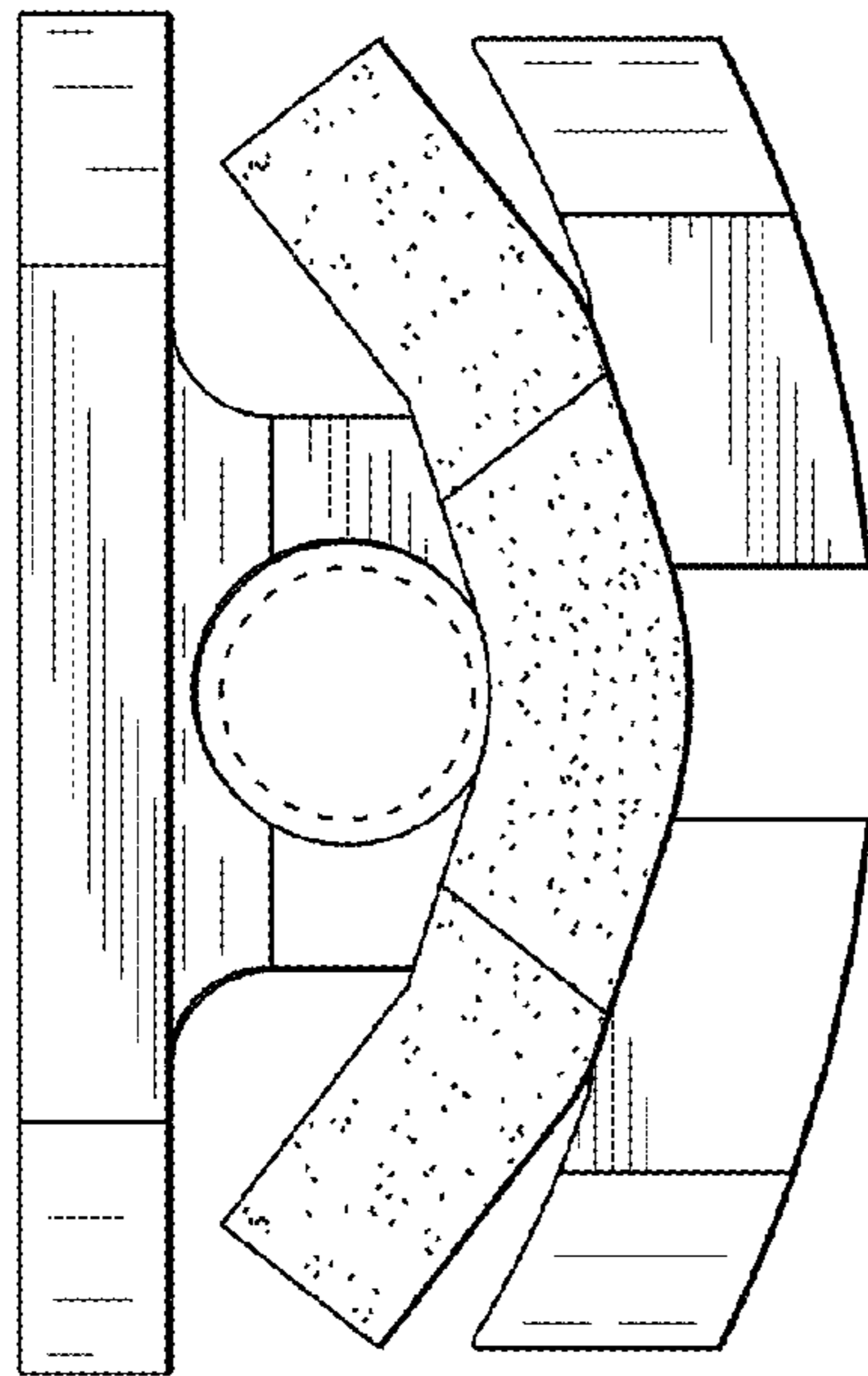


FIG. 4

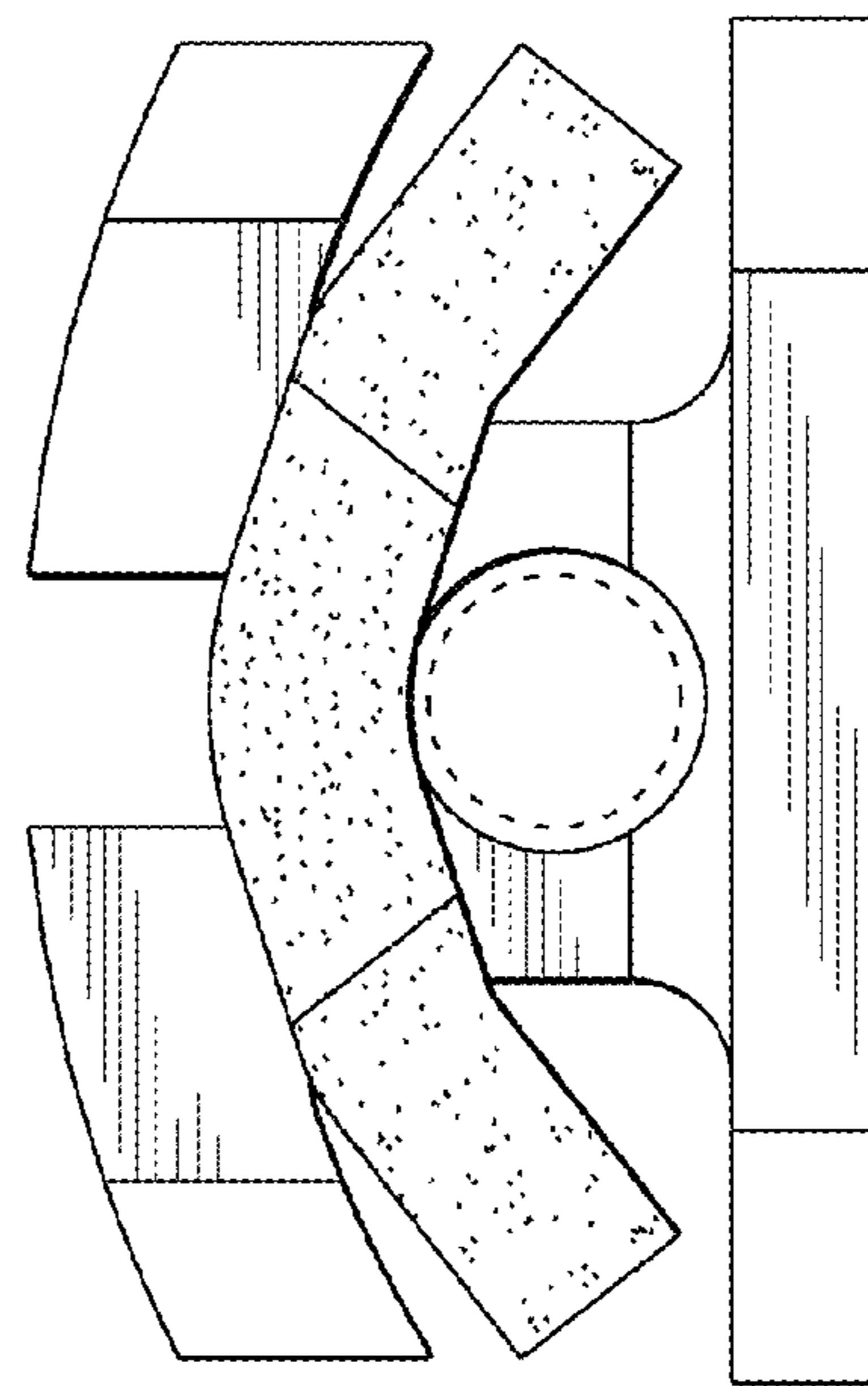


FIG. 5

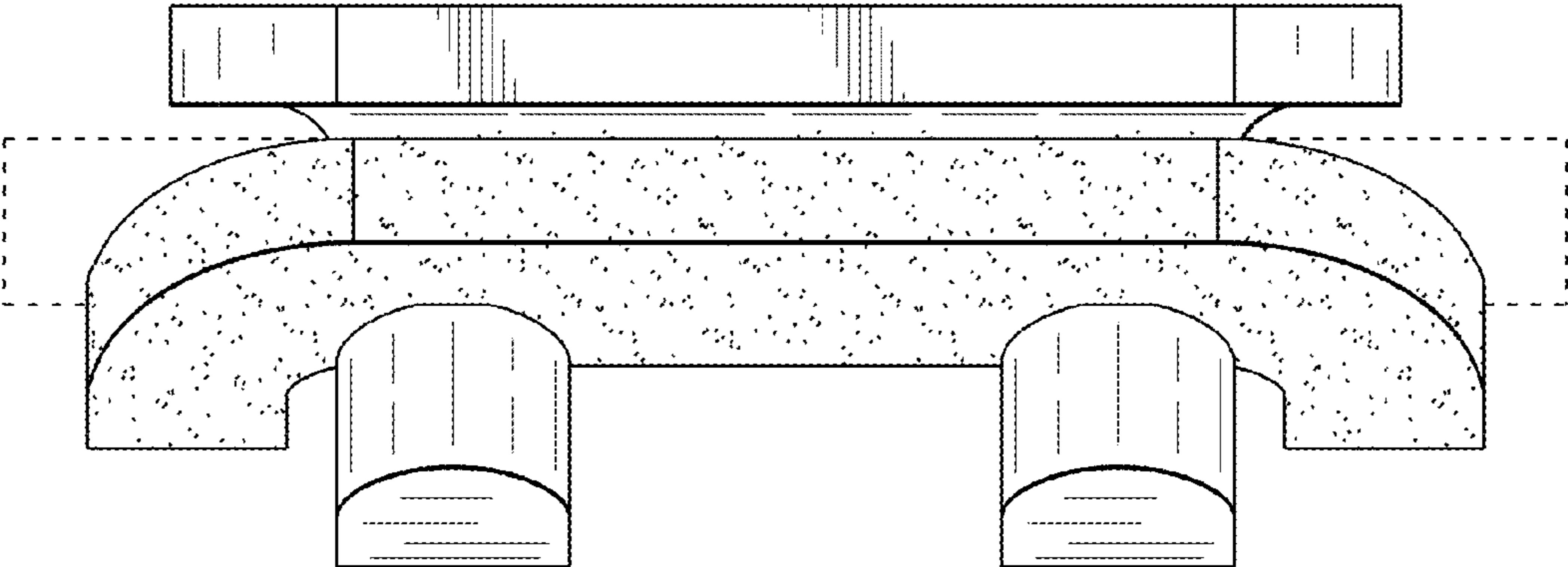


FIG. 6

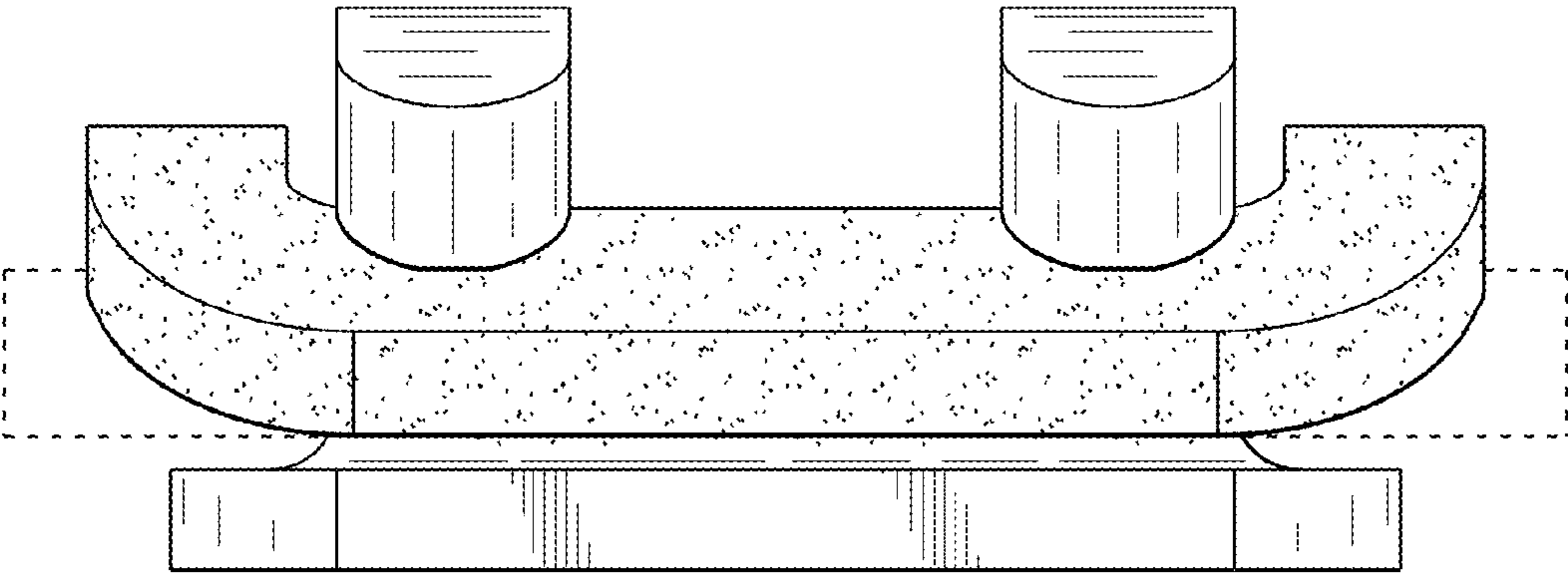


FIG. 7