



US00D732416S

(12) **United States Design Patent**
Akana et al.

(10) **Patent No.:** **US D732,416 S**
(45) **Date of Patent:** **** Jun. 23, 2015**

(54) **BAND**

(71) Applicant: **Apple Inc.**, Cupertino, CA (US)

(72) Inventors: **Jody Akana**, San Francisco, CA (US);
Bartley K. Andre, Palo Alto, CA (US);
Shota Aoyagi, San Francisco, CA (US);
Anthony Michael Ashcroft, San Francisco, CA (US);
Jeremy Bataillou, San Francisco, CA (US);
Daniel J. Coster, San Francisco, CA (US);
Daniele De Iuliis, San Francisco, CA (US);
M. Evans Hankey, San Francisco, CA (US);
Julian Hoenig, San Francisco, CA (US);
Richard P. Howarth, San Francisco, CA (US);
Jonathan P. Ive, San Francisco, CA (US);
Duncan Robert Kerr, San Francisco, CA (US);
Marc A. Newson, London (GB);
Matthew Dean Rohrbach, San Francisco, CA (US);
Peter Russell-Clarke, San Francisco, CA (US);
Benjamin Andrew Shaffer, San Jose, CA (US);
Mikael Silvanto, San Francisco, CA (US);
Christopher J. Stringer, Woodside, CA (US);
Eugene Antony Whang, San Francisco, CA (US);
Rico Zörkendörfer, San Francisco, CA (US)

(73) Assignee: **Apple Inc.**, Cupertino, CA (US)

(**) Term: **14 Years**

(21) Appl. No.: **29/501,775**

(22) Filed: **Sep. 8, 2014**

Related U.S. Application Data

(63) Continuation of application No. 29/498,995, filed on Aug. 11, 2014.

(51) **LOC (10) Cl.** **11-01**

(52) **U.S. Cl.**
USPC **D11/3**

(58) **Field of Classification Search**

USPC D11/1-25; D10/30-39, 70, 46; 24/456, 24/574.1, 587.11, 587.12, 578.15; 600/301; 224/164, 175; 368/276, 281, 368/282, 285
CPC G04B 37/00; G04B 37/0008; G04B 37/0058; G04B 45/00; G04B 45/0069; G04B 19/06; G04B 19/08; G04B 19/10; G04B 19/106; G04B 19/087

See application file for complete search history.

(56) **References Cited**

U.S. PATENT DOCUMENTS

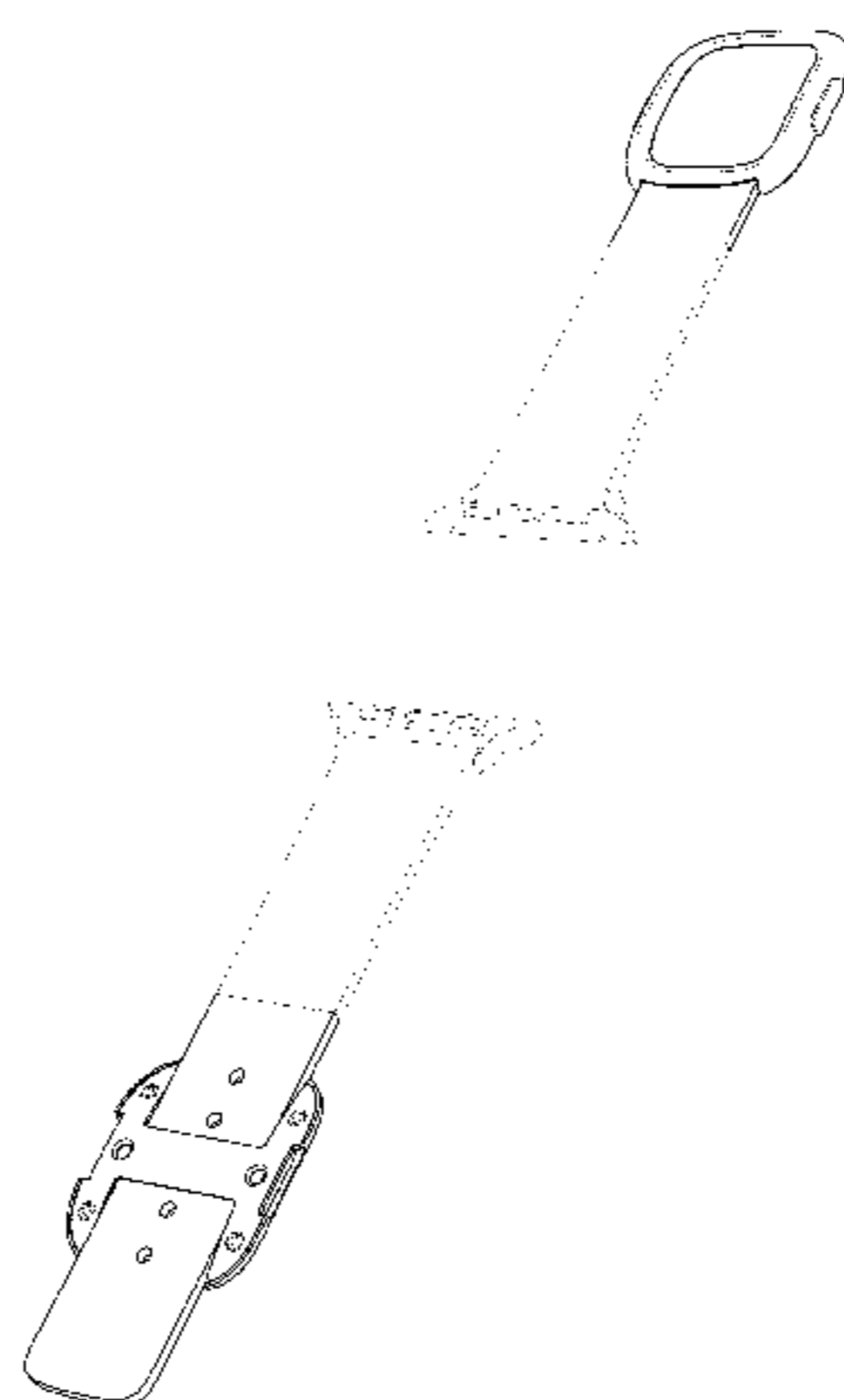
482,289 A	9/1892	Ziegler	
505,473 A	9/1893	Mehring	
1,712,734 A	5/1929	Kraemer	
2,280,490 A	4/1942	Keltie	
D163,987 S *	7/1951	Barre	D10/38
4,470,174 A	9/1984	Rhea	
D320,566 S *	10/1991	Ericson	D10/32
D564,367 S	3/2008	Molyneux	
D566,580 S	4/2008	Giorgio	
7,406,789 B2	8/2008	Story	
7,591,581 B2	9/2009	Lovegrove et al.	
D628,510 S	12/2010	Maier	
D699,143 S *	2/2014	Xu	D11/3
D711,002 S	8/2014	Ohnemus et al.	
D718,170 S	11/2014	Aumiller et al.	
D724,469 S *	3/2015	Akana et al.	D11/3

FOREIGN PATENT DOCUMENTS

DE	20319858 U1	4/2004
EM	002297770-0003	6/2013
GB	2088761	2/2000
JP	H08336406	12/1996
WO	D012262-001	1/1989

OTHER PUBLICATIONS

[Online] <http://ttb.thetechblock.netdna-cdn.com/wp-content/uploads/2014/09/apple-watch-31.jpg>. Retrieved Mar. 30, 2015.*
[Online] http://i.ytimg.com/vi/Ab_oapZ8GpM/maxresdefault.jpg. Retrieved Mar. 30, 2015.*
Metawatch, "Frame—Black (MW3005)," <<http://meta.watch/collections/smartwatch-all/products/frame-ss-black-leather>>, accessed Dec. 15, 2014.
"Pebble Smartwatch," getpebble.com, <<https://getpebble.com/checkout>>, accessed Dec. 15, 2014.



(56)

References Cited

OTHER PUBLICATIONS

Velazco, Chris, "ASUS ZenWatch review: subtle and stylish, with a few shortcomings," Engadget.com, <<http://www.engadget.com/2014/12/11/asus-zenwatch-review/>>, dated Dec. 11, 2014, accessed Dec. 15, 2014.

[Online] <<http://everydaydigitals.com/heres-what-i-think/21/apples-wearable-device-will-be-more-nike-fuel-band-than-pebble-watch>> Retrieved on Dec. 25, 2014.

[Online] <<http://www.computerworlduk.com/slideshow/mobile-wireless/3573389/the-many-looks-of-the-apple-watch/6/#content>> Retrieved on Dec. 25, 2014.

* cited by examiner

Primary Examiner — Cathron Brooks

Assistant Examiner — Melanie Pellegrini

(74) *Attorney, Agent, or Firm* — Sterne, Kessler, Goldstein & Fox P.L.L.C.

(57)

CLAIM

The ornamental design for a band, as shown and described.

DESCRIPTION

FIG. 1 is a bottom front perspective view of a band showing our new design;

FIG. 2 is a bottom rear perspective view thereof;

FIG. 3 is a front view thereof;

FIG. 4 is a rear view thereof;

FIG. 5 is a left side view thereof;

FIG. 6 is a right side view thereof;

FIG. 7 is a top view thereof;

FIG. 8 is a bottom view thereof;

FIG. 9 is a rear view thereof showing the band in a closed position; and,

FIG. 10 is a perspective view thereof showing the band in an environment in which it may be used.

The broken lines in the Figures show portions of the band and environment that form no part of the claimed design. The dot-dash lines in the Figures show boundaries that form no part of the claimed design.

1 Claim, 6 Drawing Sheets

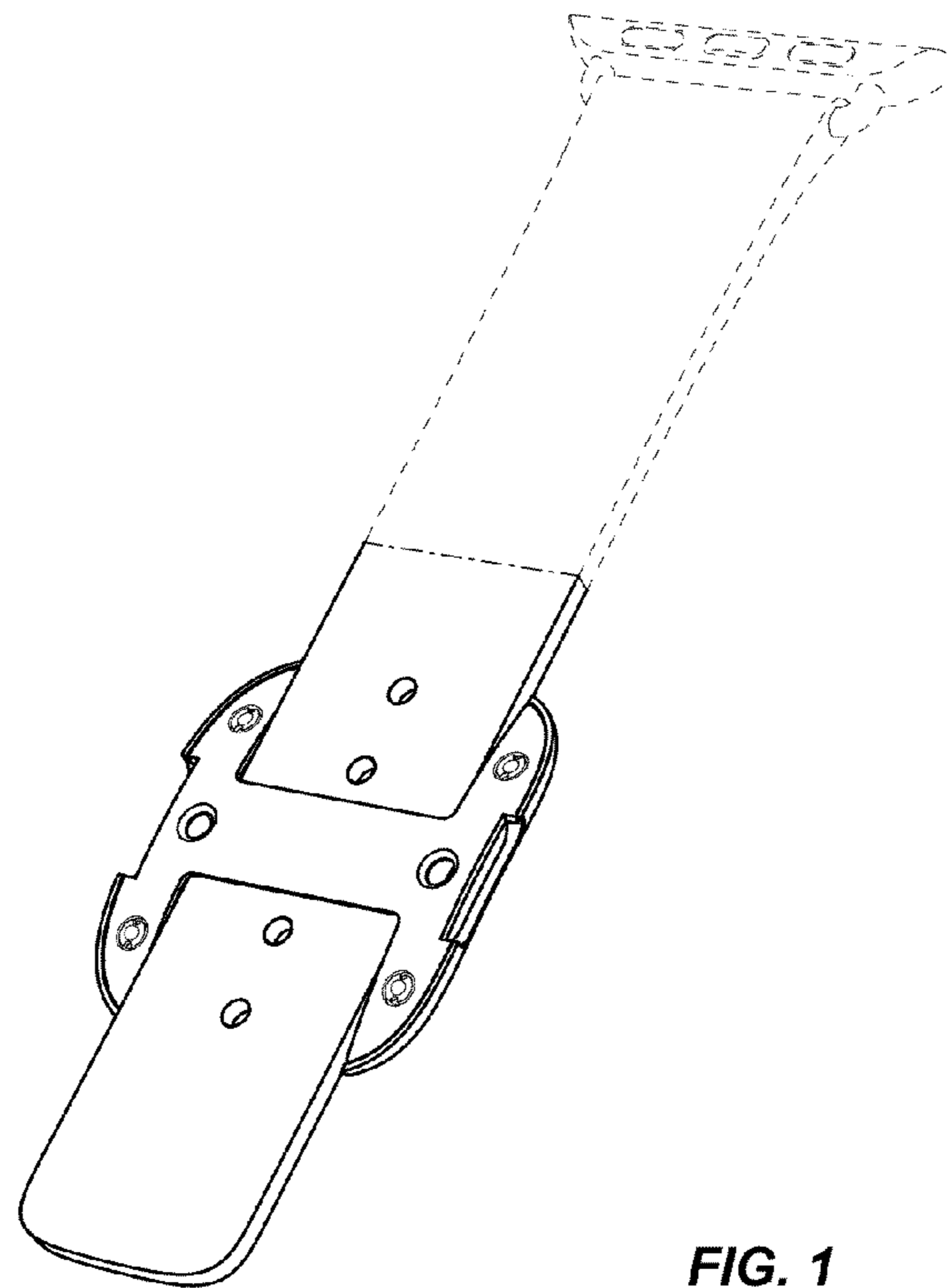
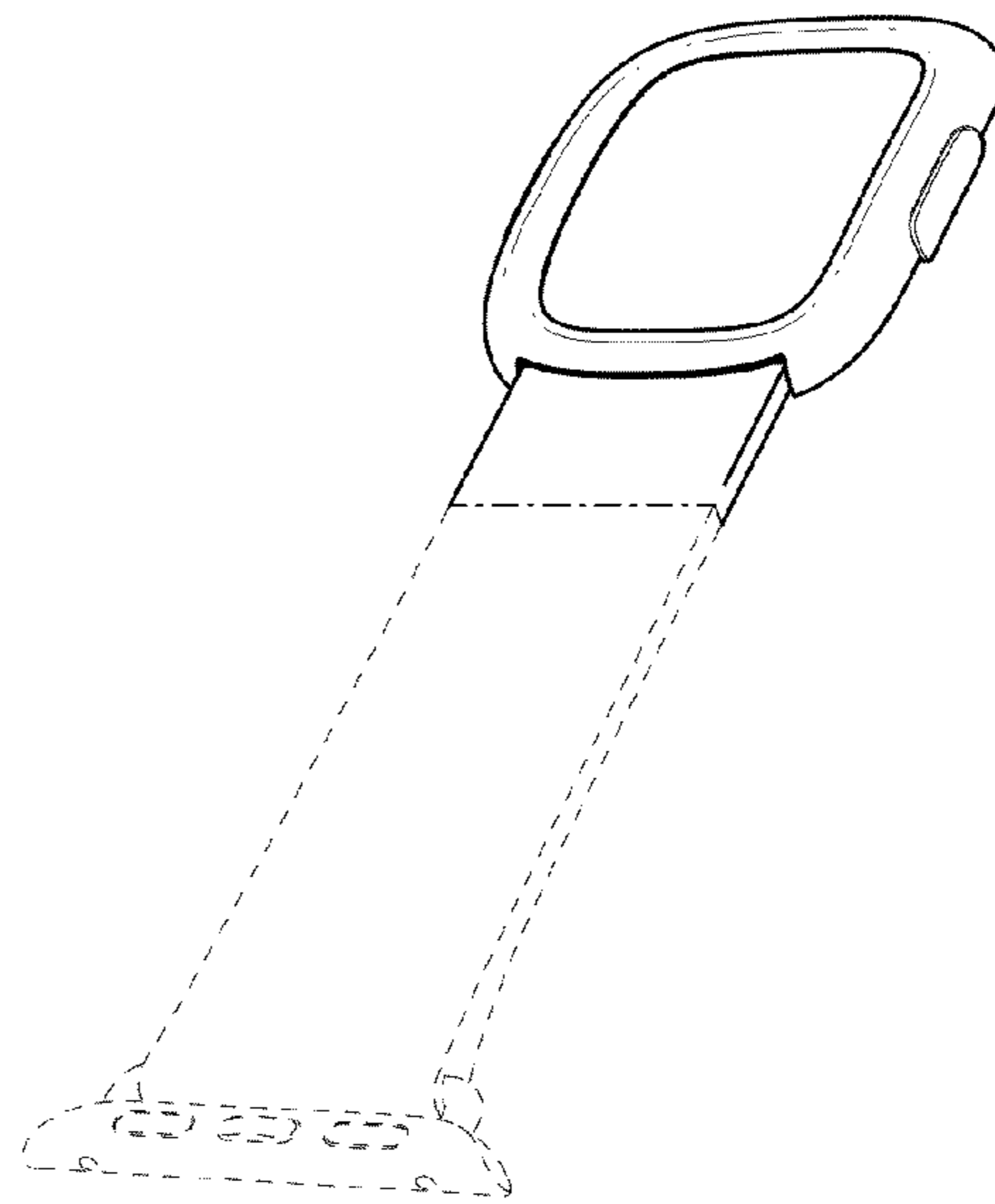


FIG. 1

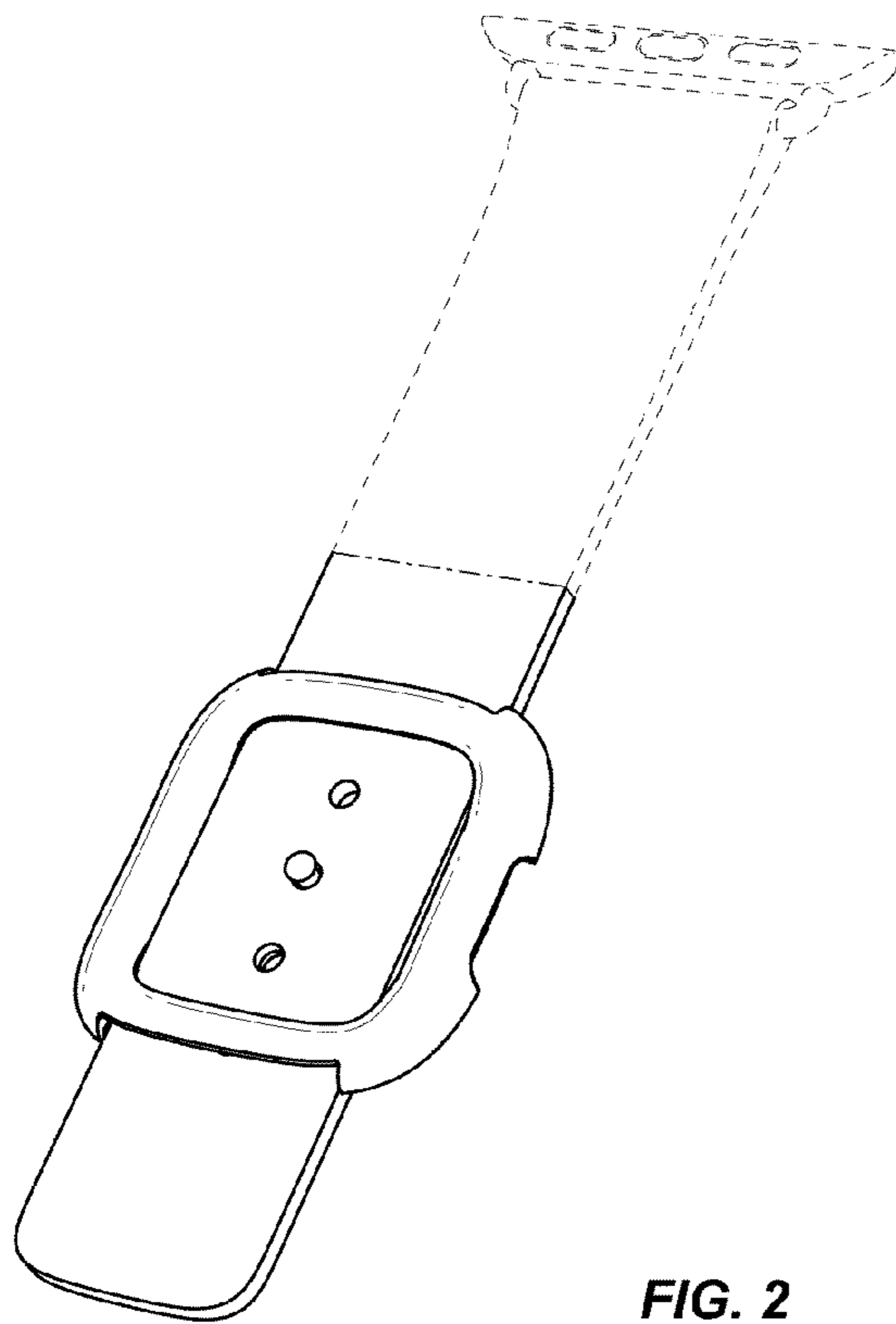
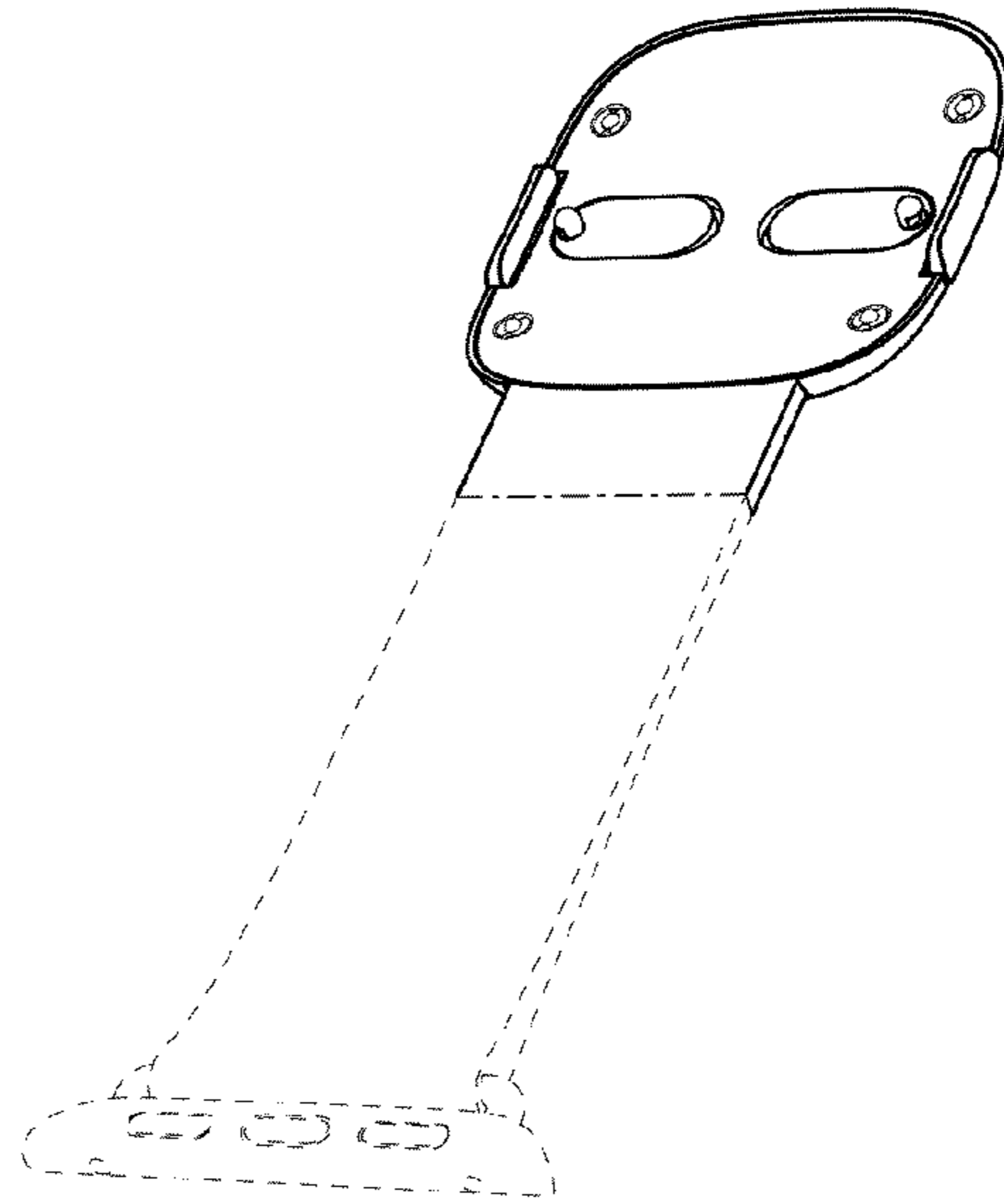


FIG. 2

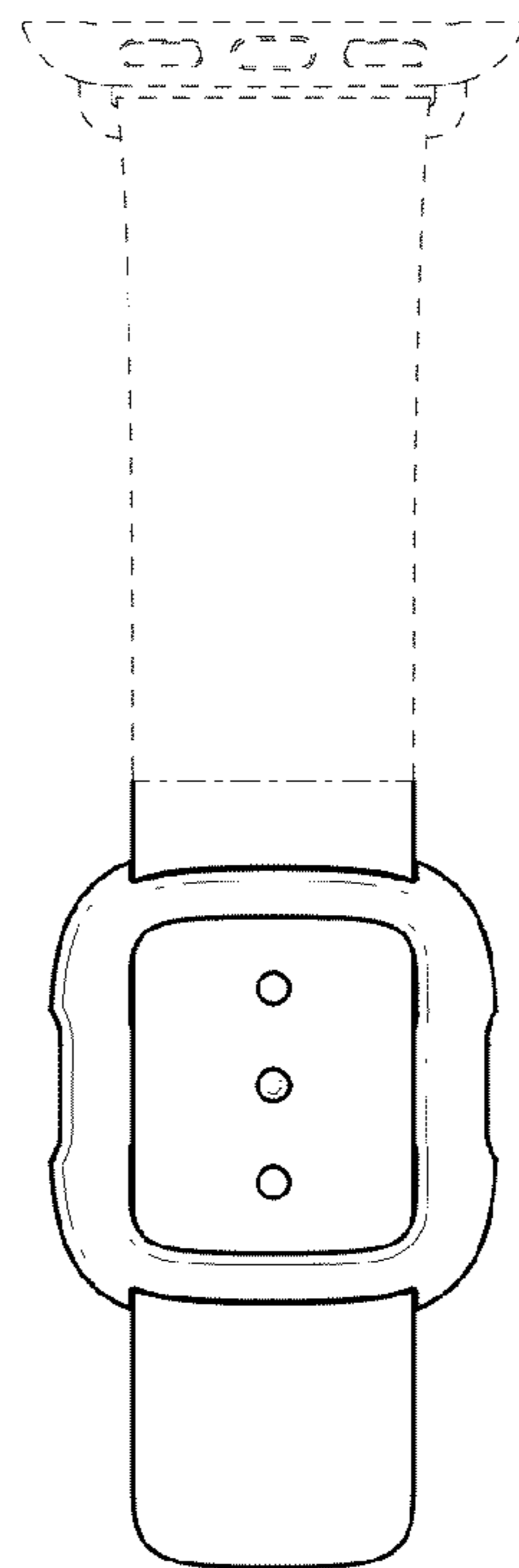
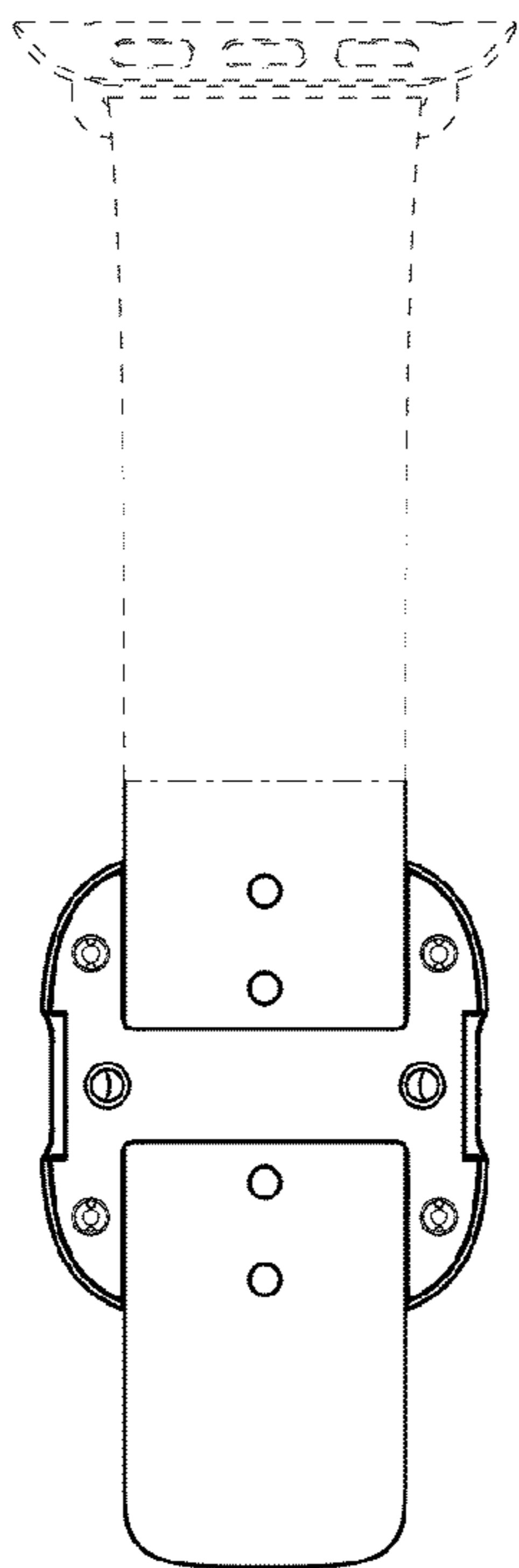
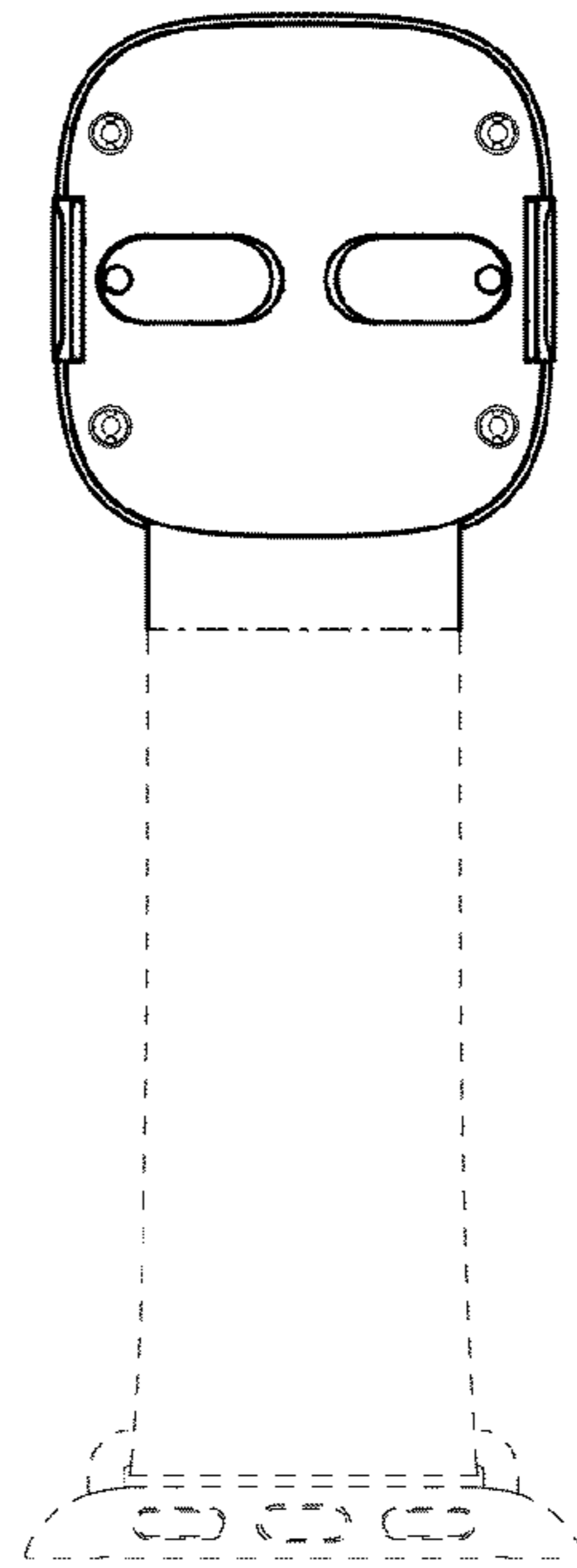
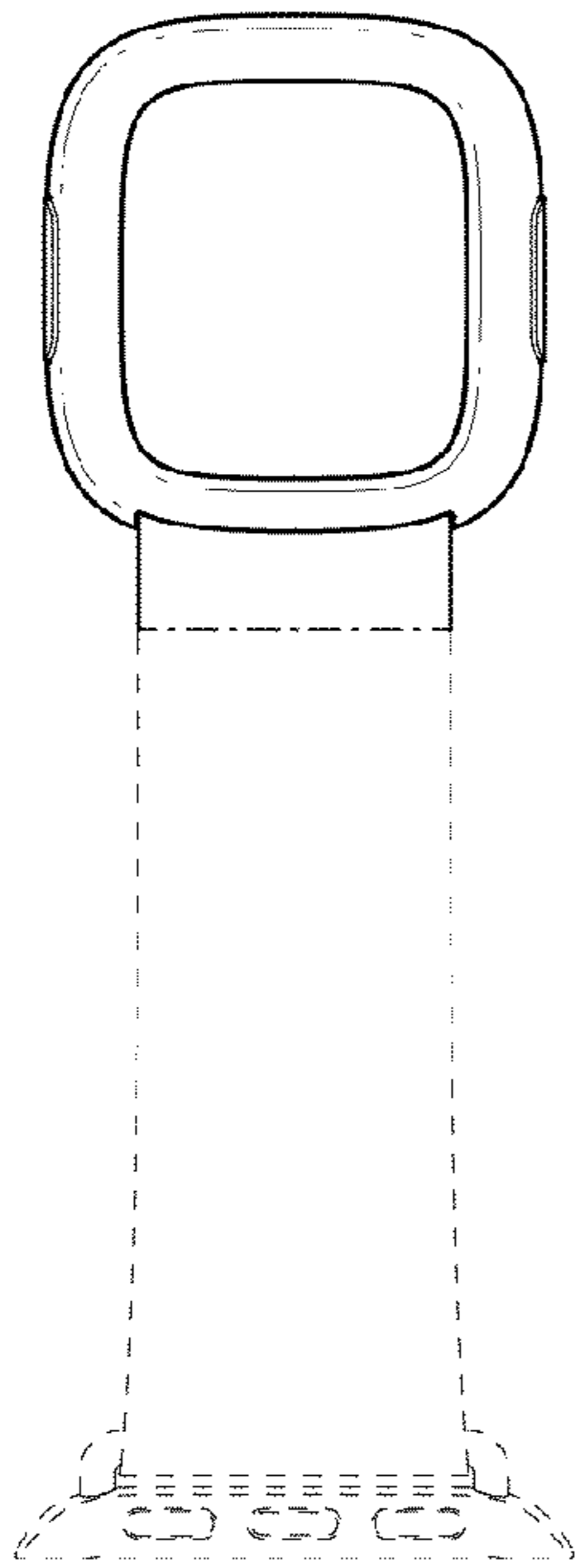


FIG. 3

FIG. 4



FIG. 5



FIG. 6



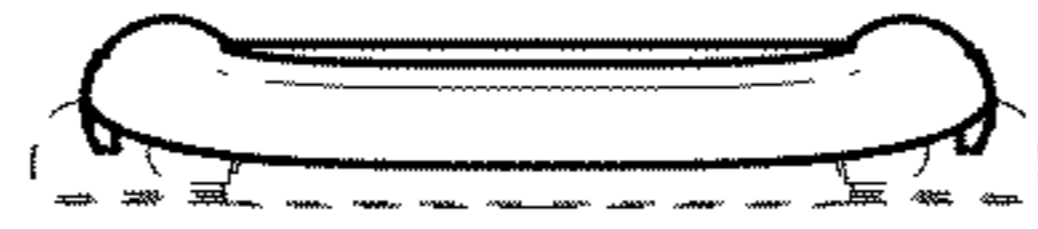


FIG. 7

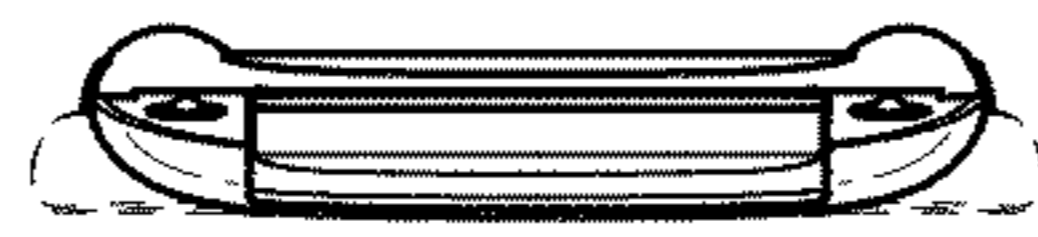


FIG. 8

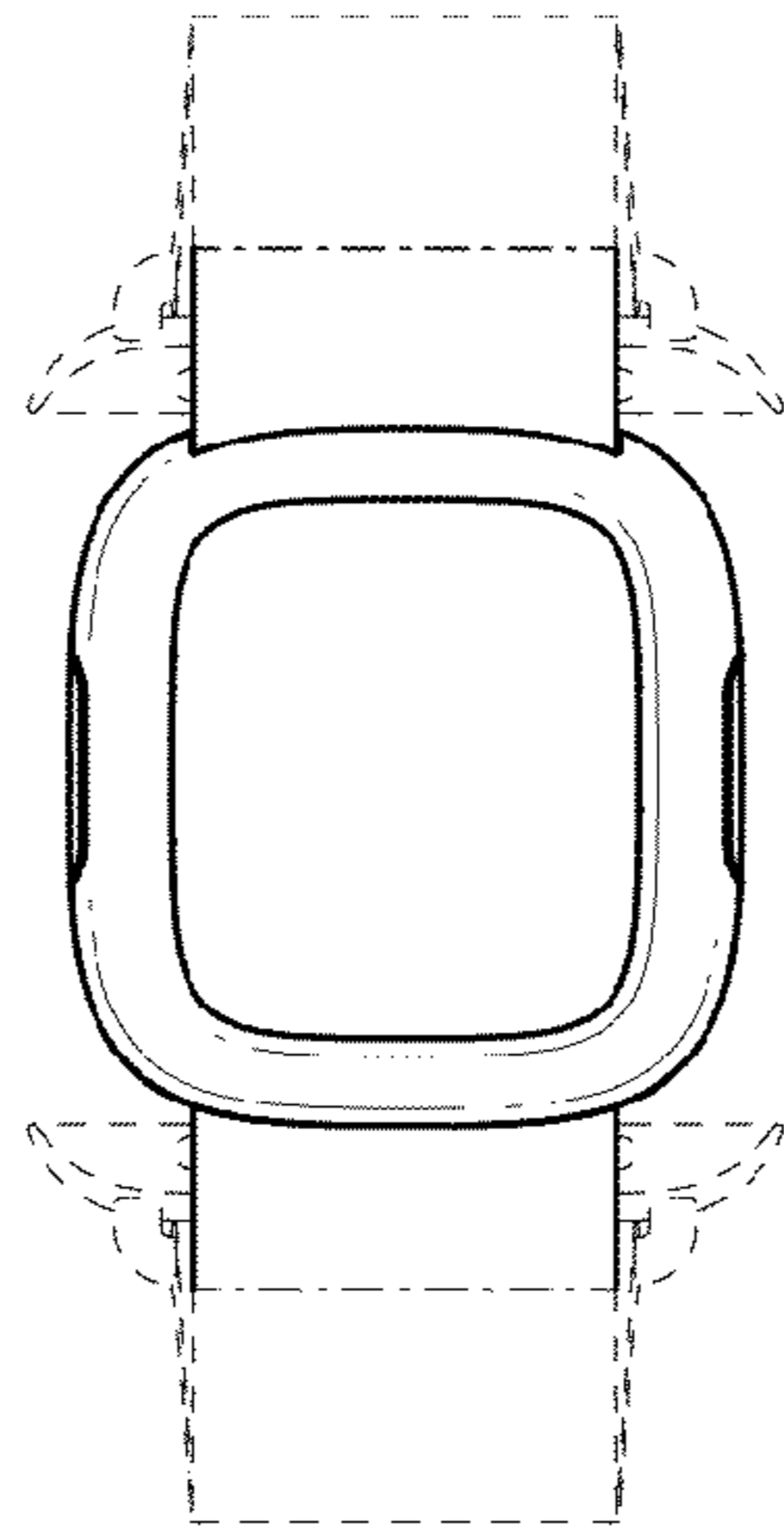


FIG. 9

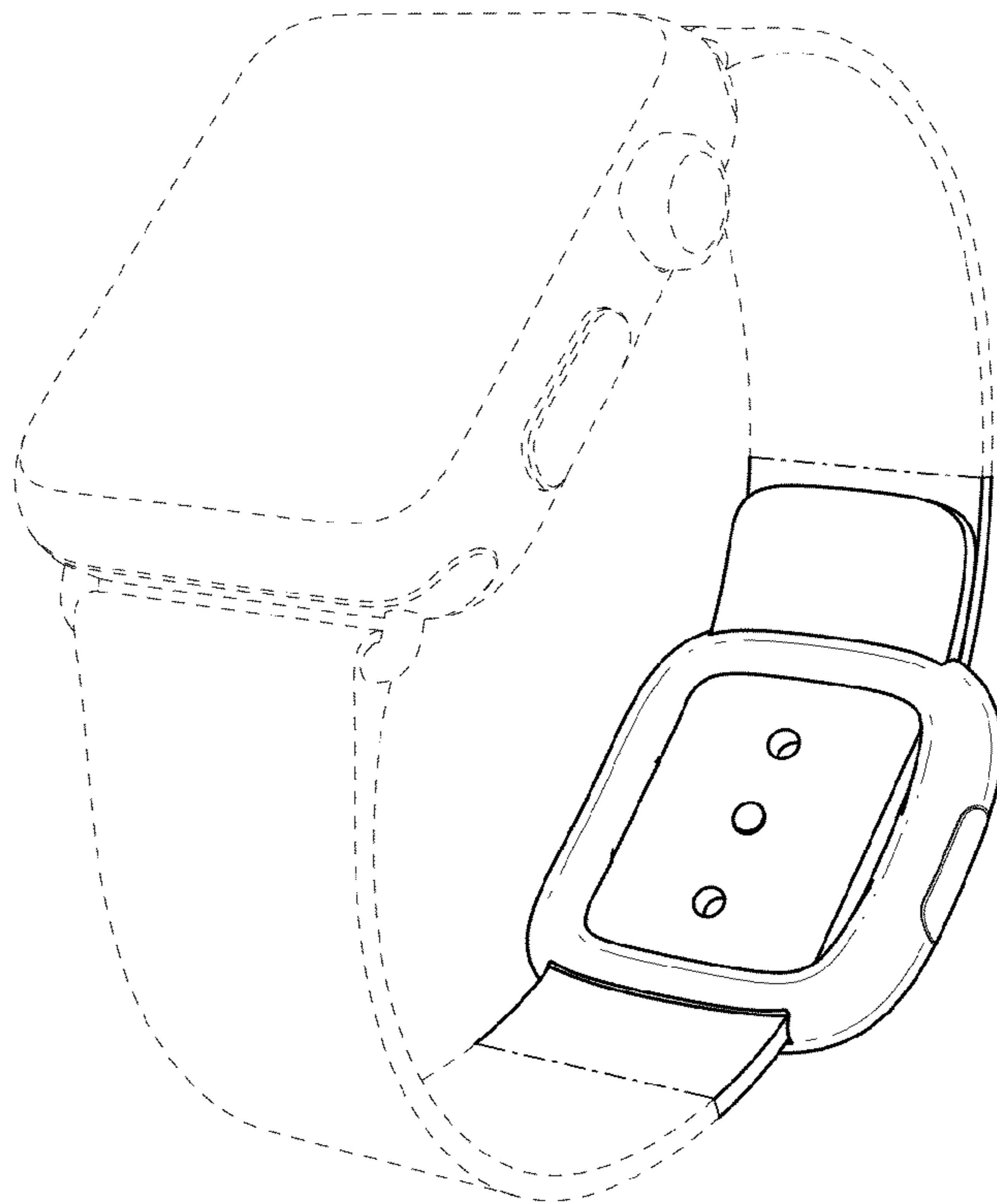


FIG. 10