

US00D732414S

(12) **United States Design Patent**  
**Cerrato**

(10) **Patent No.:** **US D732,414 S**  
(45) **Date of Patent:** **\*\* Jun. 23, 2015**

(54) **WATCH BAND**

(75) Inventor: **Davide Cerrato**, Geneva (CH)

(73) Assignee: **TUDOR WATCH U.S.A., LLC**, New York, NY (US)

(\*\*) Term: **14 Years**

(21) Appl. No.: **29/429,526**

(22) Filed: **Aug. 13, 2012**

(30) **Foreign Application Priority Data**

Feb. 14, 2012 (CH) ..... 138685

(51) **LOC (10) Cl.** ..... **11-01**

(52) **U.S. Cl.**  
USPC ..... **D11/3**

(58) **Field of Classification Search**

USPC ..... D10/30-39, 122-126; 368/223, 228,  
368/232, 80, 28; D11/3, 19; 224/164, 175

CPC ..... A44C 5/2076; A44C 5/246; A44C 5/04  
See application file for complete search history.

(56) **References Cited**

U.S. PATENT DOCUMENTS

1,626,160	A *	4/1927	Schwalberg	.....	224/178
1,778,313	A *	10/1930	Darling	.....	24/68 E
2,420,435	A *	5/1947	Lackow	.....	224/164
2,481,865	A *	9/1949	Penfold	.....	224/176
D195,421	S *	6/1963	Huguenin	.....	D10/39
3,475,902	A *	11/1969	Wessel	.....	368/10
D295,841	S *	5/1988	Kano	.....	D10/39
D306,981	S *	4/1990	Bettelini	.....	D11/3
D323,993	S *	2/1992	Lee	.....	D10/32
D330,166	S *	10/1992	Park	.....	D10/32

5,215,235	A *	6/1993	Maekawa et al.	.....	224/176
D338,160	S *	8/1993	Houlihan	.....	D10/32
D351,798	S *	10/1994	Yamamoto	.....	D10/32
D353,340	S *	12/1994	Burgener	.....	D10/32
D356,040	S *	3/1995	Bulgari	.....	D10/39
D356,266	S *	3/1995	Hosokawa et al.	.....	D9/903
D377,613	S *	1/1997	Consolo	.....	D10/32
D391,871	S *	3/1998	Brzezinski	.....	D10/32
D393,602	S *	4/1998	Sang	.....	D11/3
D407,342	S *	3/1999	Ishizaka	.....	D11/3
D420,598	S *	2/2000	Wagenheim	.....	D10/32
D449,231	S *	10/2001	Giardiello	.....	D10/32
D450,613	S *	11/2001	Rantala	.....	D11/3
D453,299	S *	2/2002	Bach et al.	.....	D10/39
D519,855	S *	5/2006	Tonohori	.....	D10/32
D521,879	S *	5/2006	Tonohori	.....	D10/31
D534,084	S *	12/2006	Linde	.....	D10/39
D618,127	S *	6/2010	Galli	.....	D11/3
8,590,114	B2 *	11/2013	Shindo	.....	24/71 J
D695,144	S *	12/2013	Calvani	.....	D10/126
2006/0144881	A1 *	7/2006	Bonadei	.....	224/164
2013/0313294	A1 *	11/2013	Bertucci	.....	224/164

\* cited by examiner

*Primary Examiner* — Lucy Lieberman

(74) *Attorney, Agent, or Firm* — Sughrue Mion, PLLC

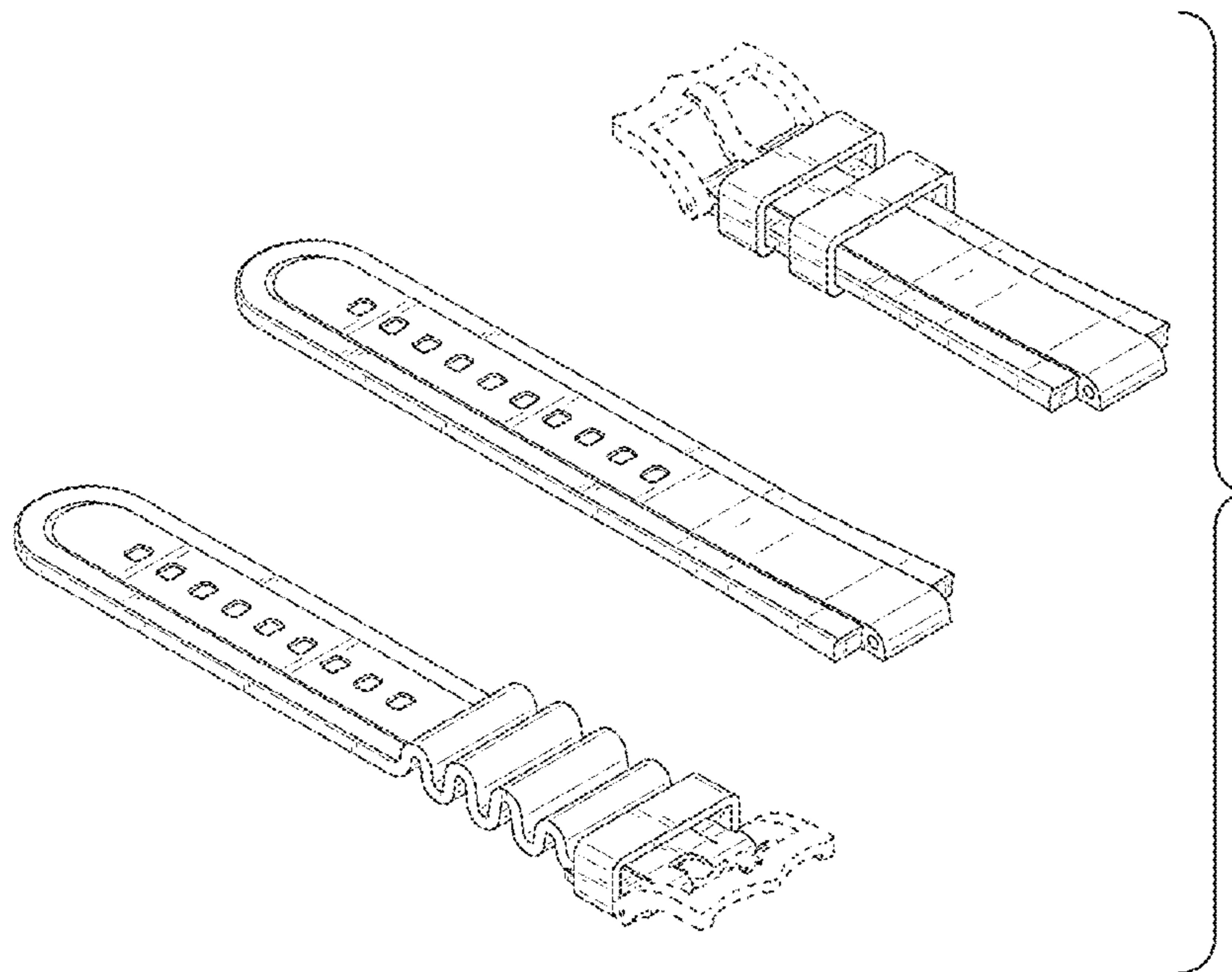
(57) **CLAIM**

The ornamental design for a watch band, as shown and described.

**DESCRIPTION**

FIG. 1 is a front view of a watch band shown in an unassembled condition; and, FIG. 2 is a front perspective view thereof. The broken lines in the drawings are used to show portions of the watch band that do not form part of the claimed design.

**1 Claim, 2 Drawing Sheets**



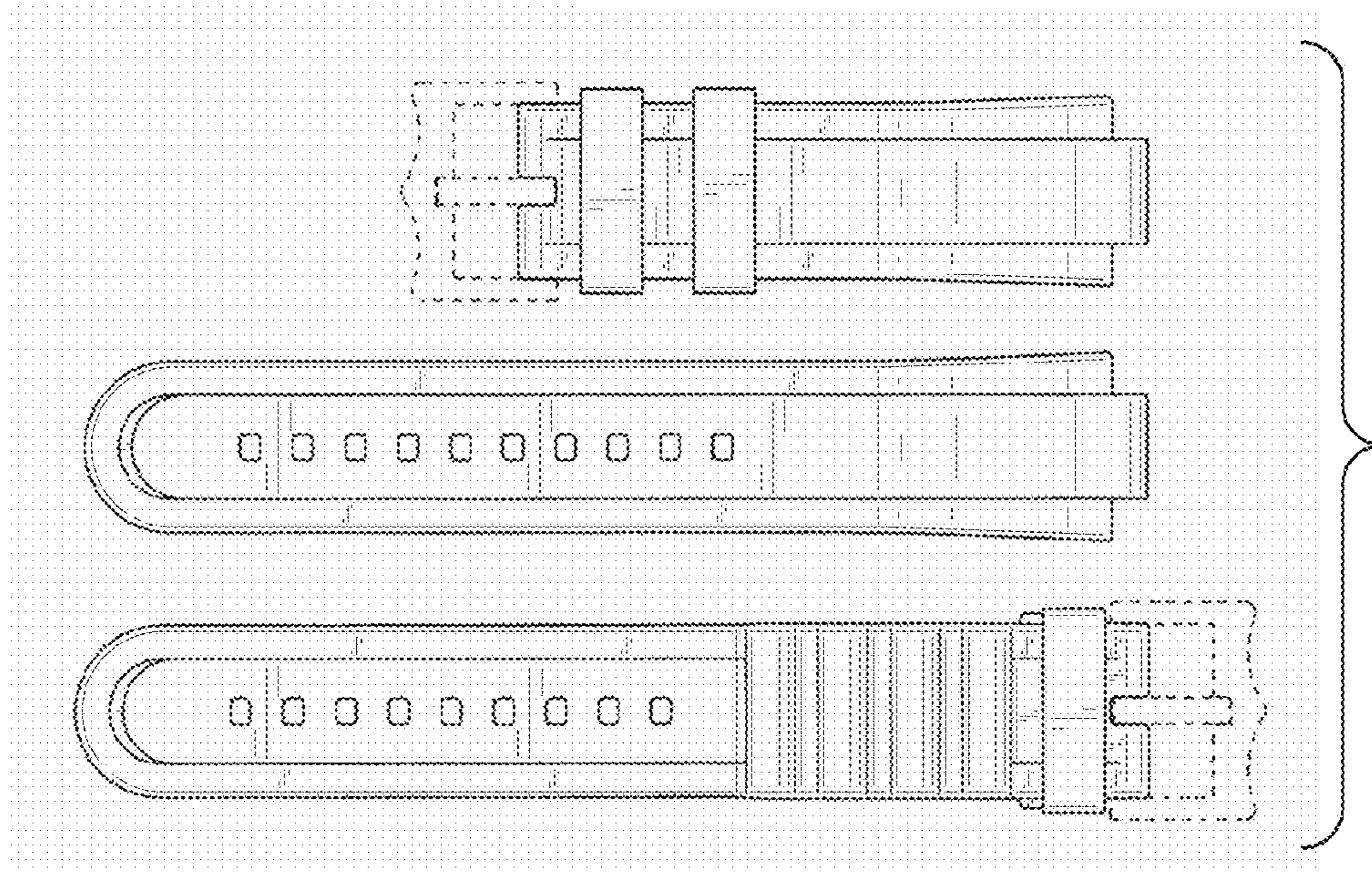


FIG. 1

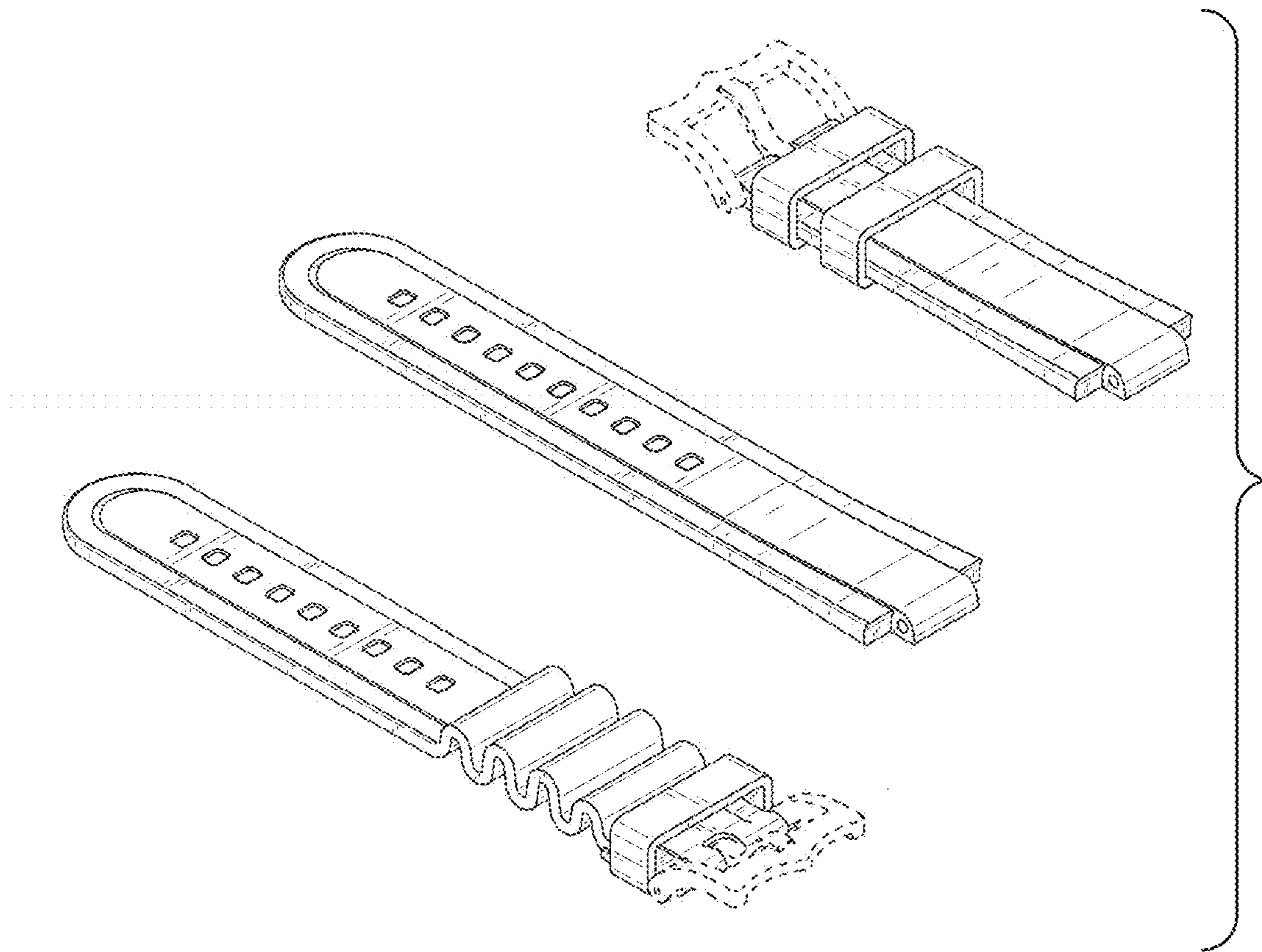


FIG. 2