



US00D732412S

(12) **United States Design Patent**
Sayegh et al.

(10) **Patent No.:** **US D732,412 S**

(45) **Date of Patent:** **** Jun. 23, 2015**

(54) **DISPLAY ATTACHMENT WITH SWIVEL MECHANISM**

(56) **References Cited**

U.S. PATENT DOCUMENTS

(71) Applicants: **Adel O. Sayegh**, Rancho Cucamonga, CA (US); **Edgardo M. Redublo**, Rancho Cucamonga, CA (US); **Jimin Xi**, Hangzhou (CN)

D626,022	S	*	10/2010	Sayegh et al.	D10/106.91
D697,825	S	*	1/2014	Yang	D10/106.9
2003/0221464	A1	*	12/2003	Stroh	70/57.1
2005/0005485	A1	*	1/2005	Wheeler	40/299.01
2008/0245827	A1	*	10/2008	Peysen	223/91
2011/0265513	A1	*	11/2011	Baer	63/12

(72) Inventors: **Adel O. Sayegh**, Rancho Cucamonga, CA (US); **Edgardo M. Redublo**, Rancho Cucamonga, CA (US); **Jimin Xi**, Hangzhou (CN)

* cited by examiner

Primary Examiner — George D Kirschbaum
(74) *Attorney, Agent, or Firm* — Milord A. Keshishian

(73) Assignee: **USS Technologies, LLC**, Rancho Cucamonga, CA (US)

(57) **CLAIM**

The ornamental design for a display attachment with swivel mechanism, as shown and described.

(**) Term: **14 Years**

DESCRIPTION

(21) Appl. No.: **29/435,619**

FIG. 1 is a front perspective view of the display attachment with swivel mechanism;
FIG. 2 is a front plan view thereof;
FIG. 3 is a rear plan view thereof;
FIG. 4 is a right side plan view thereof;
FIG. 5 is a left side plan view thereof;
FIG. 6 is a top plan view thereof;
FIG. 7 is a bottom plan view thereof; and,
FIG. 8 is a rear perspective view of said apparatus in an unengaged state.

(22) Filed: **Oct. 25, 2012**

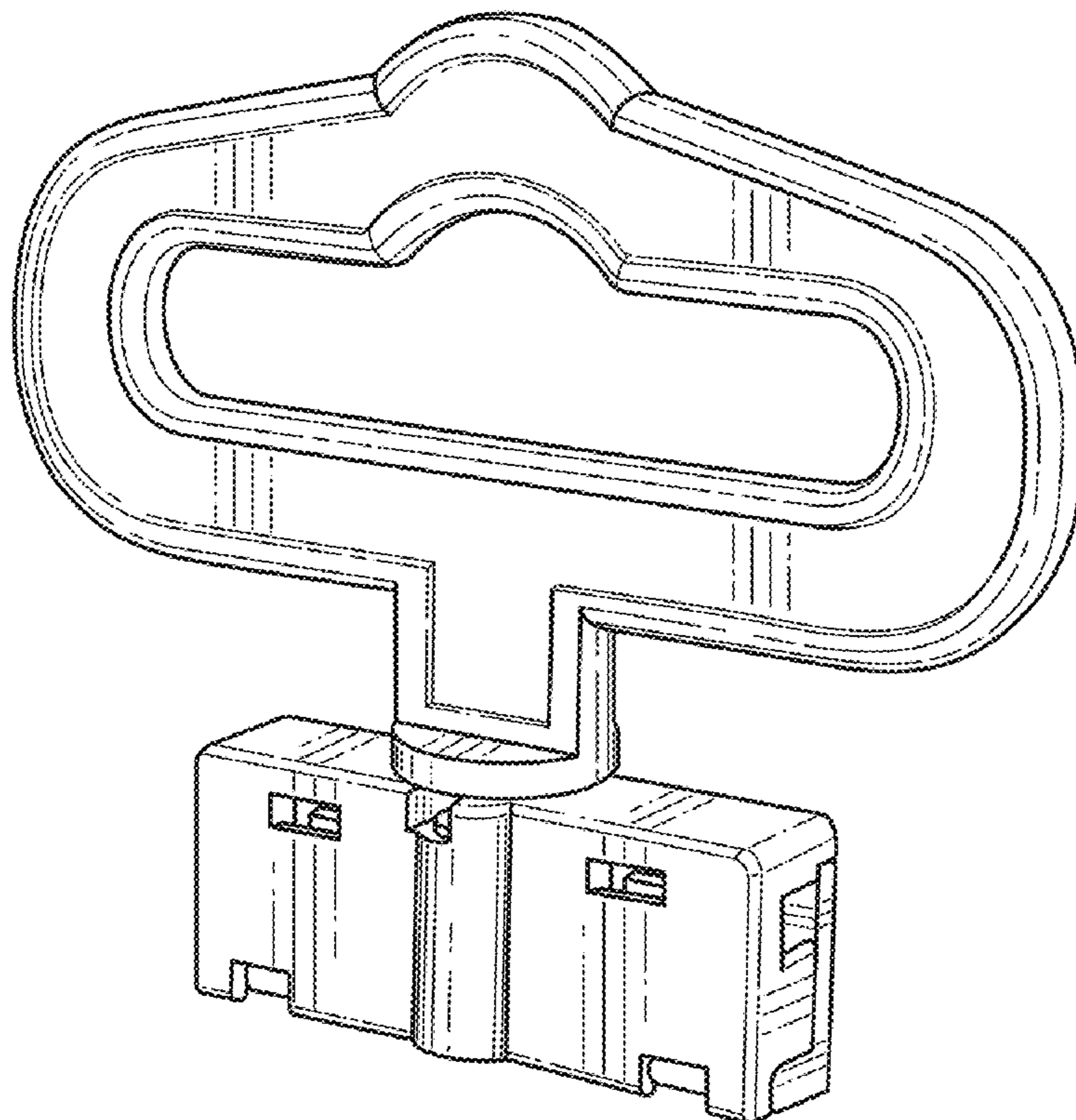
(51) **LOC (10) Cl.** **10-05**

(52) **U.S. Cl.**
USPC **D10/106.9**

(58) **Field of Classification Search**
USPC D10/106.9, 106.91; 70/57.1; 40/299.01;
223/91

See application file for complete search history.

1 Claim, 3 Drawing Sheets



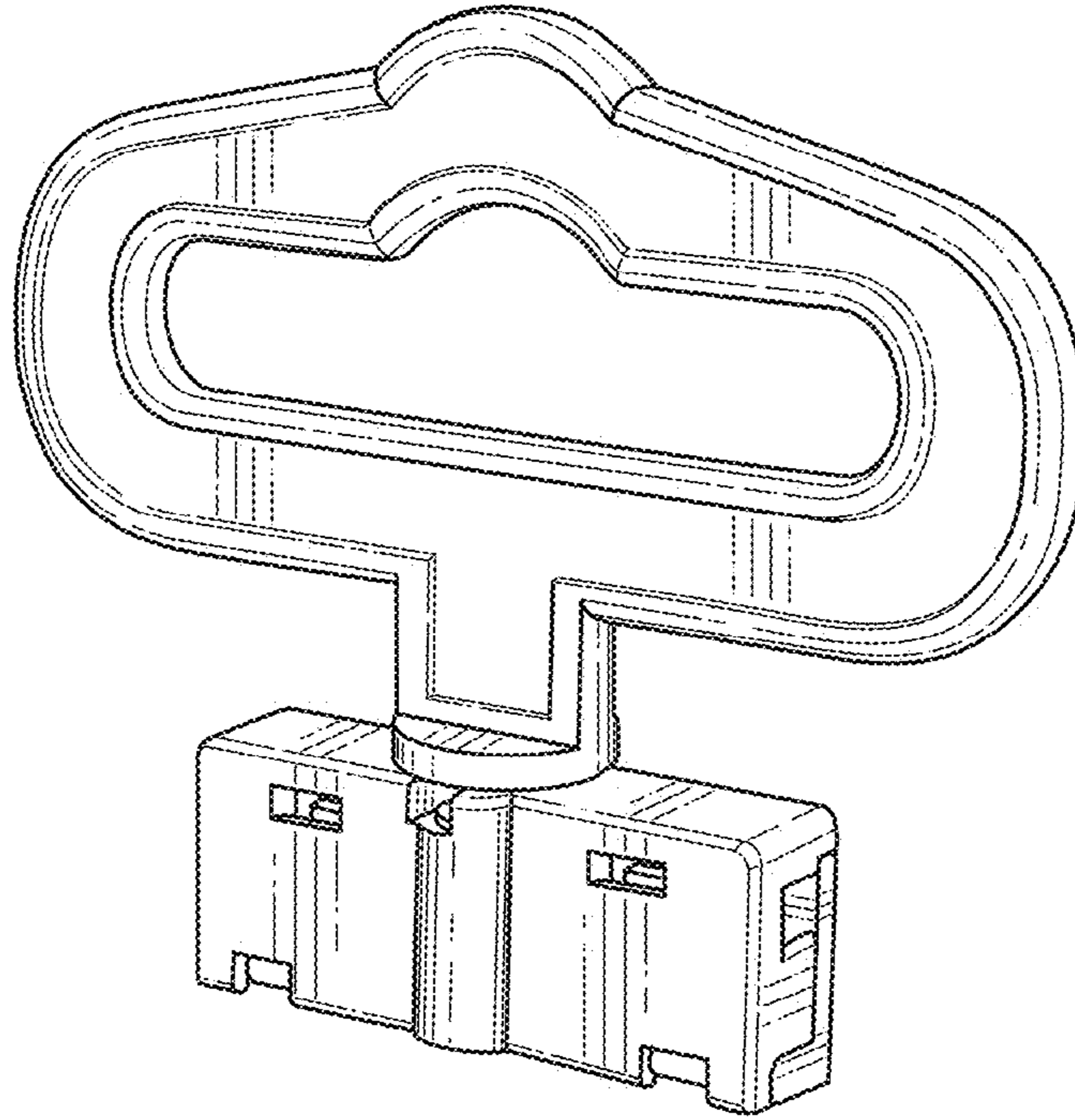


FIG. 1

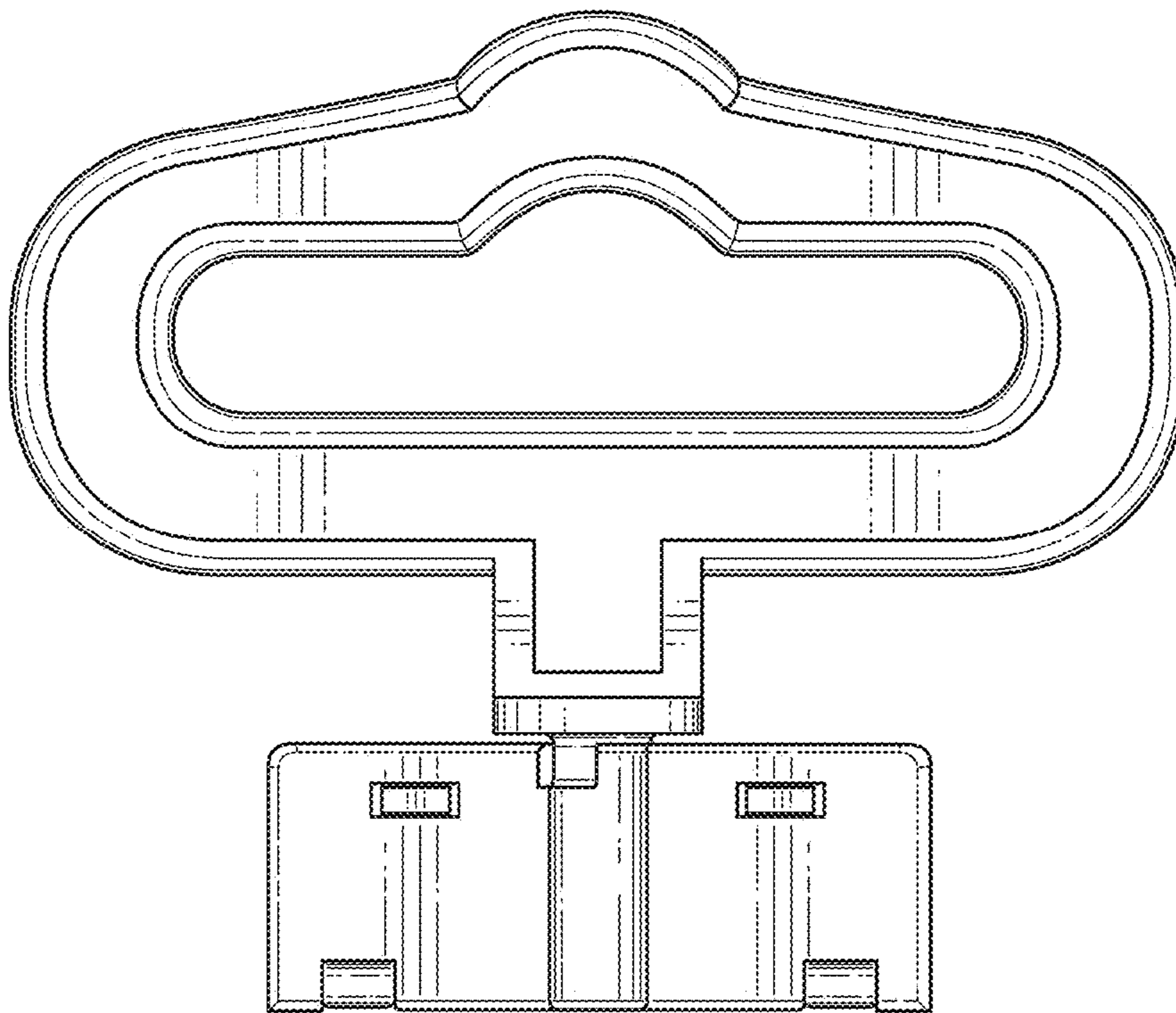


FIG. 2

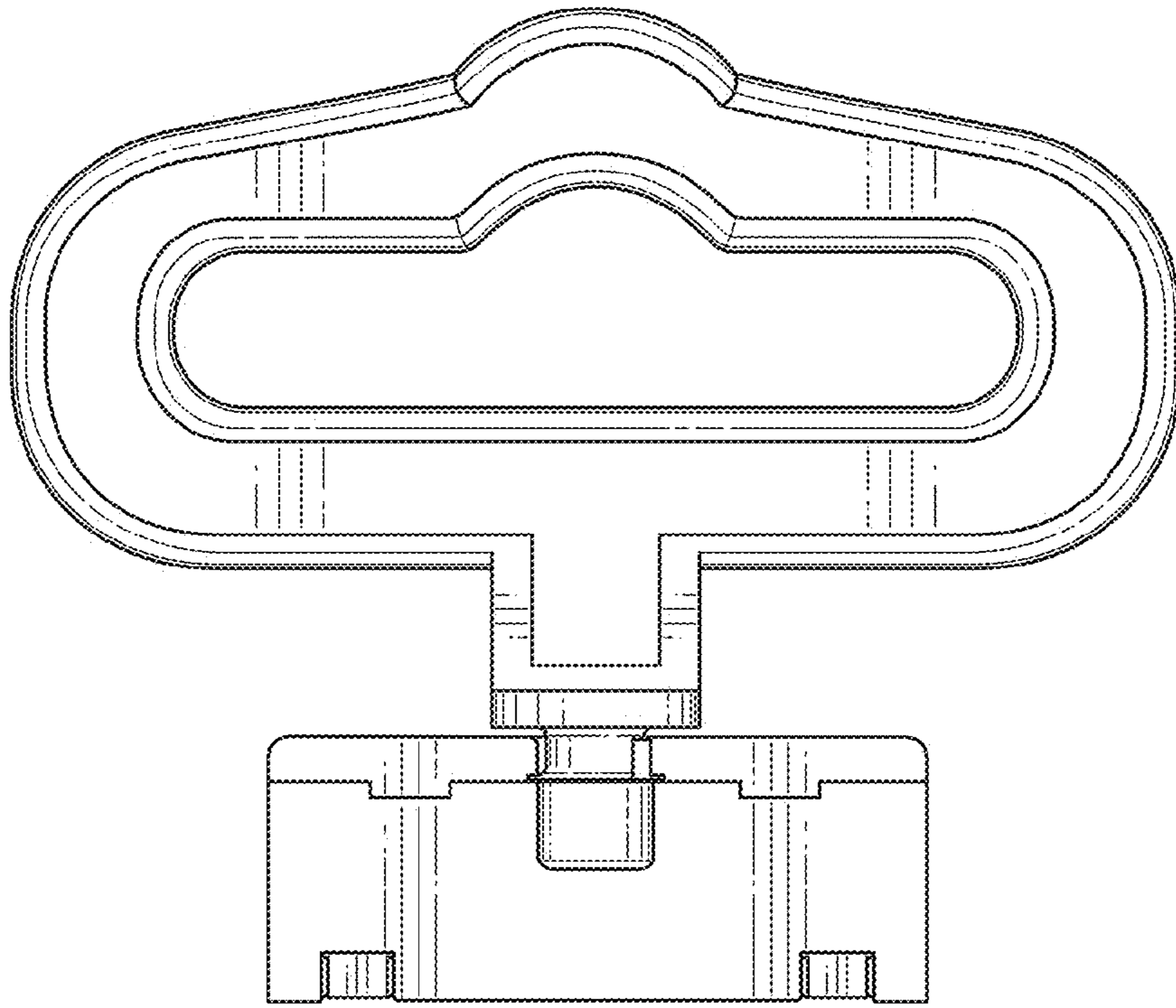


FIG. 3

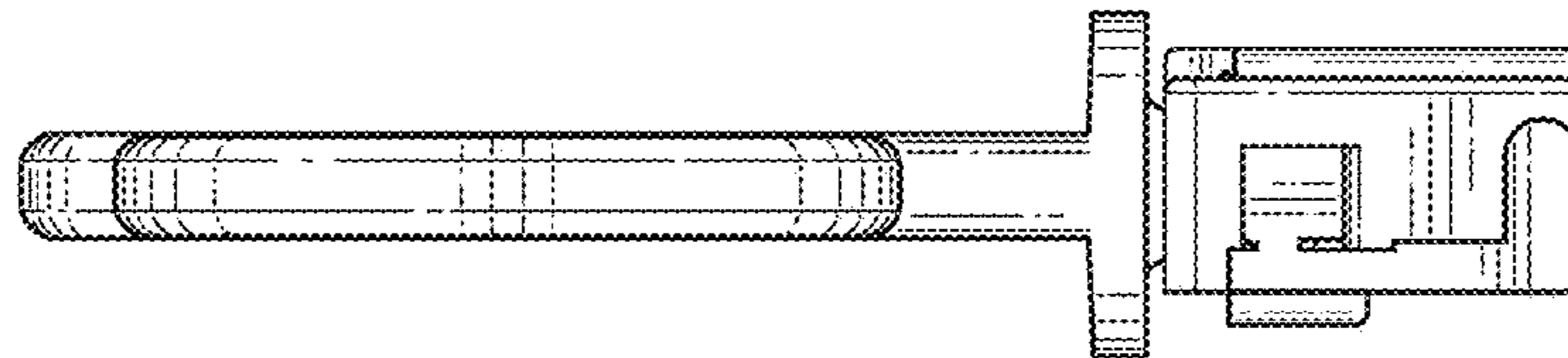


FIG. 4

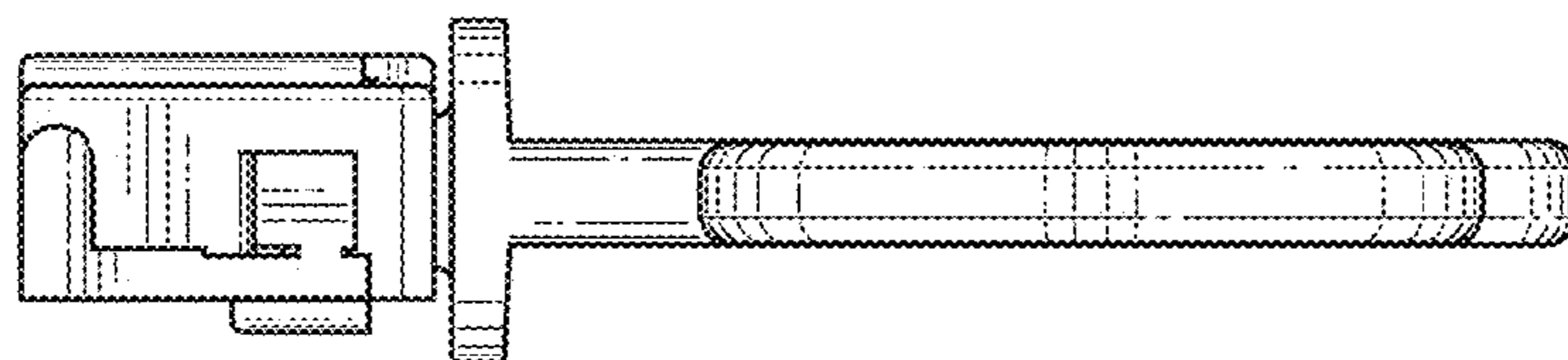


FIG. 5

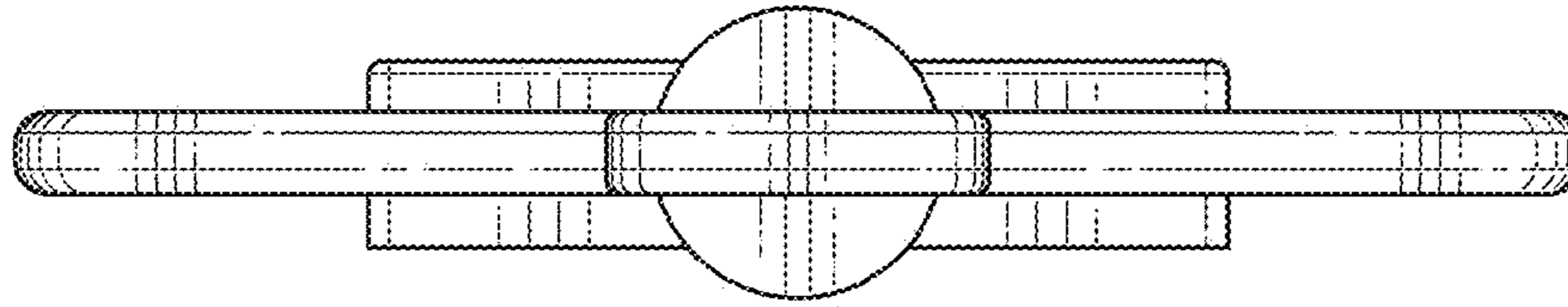


FIG. 6

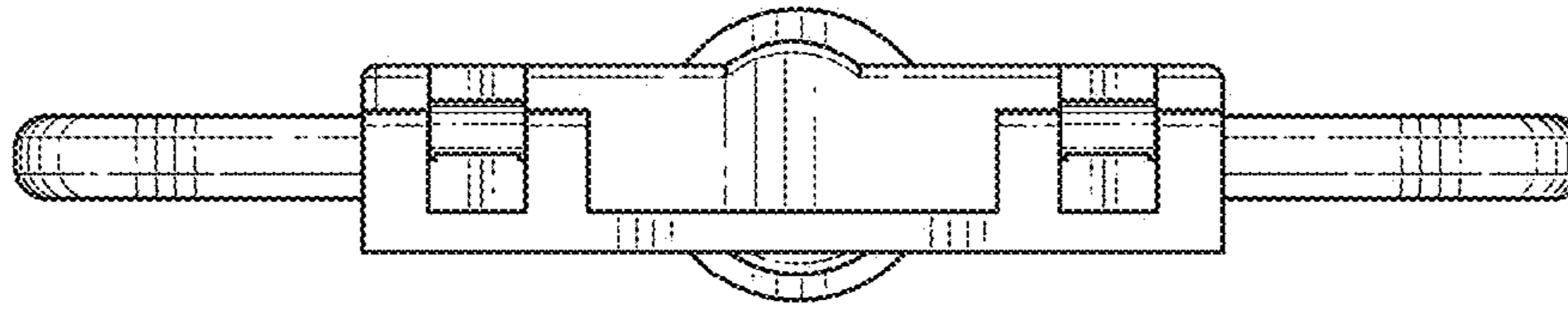


FIG. 7

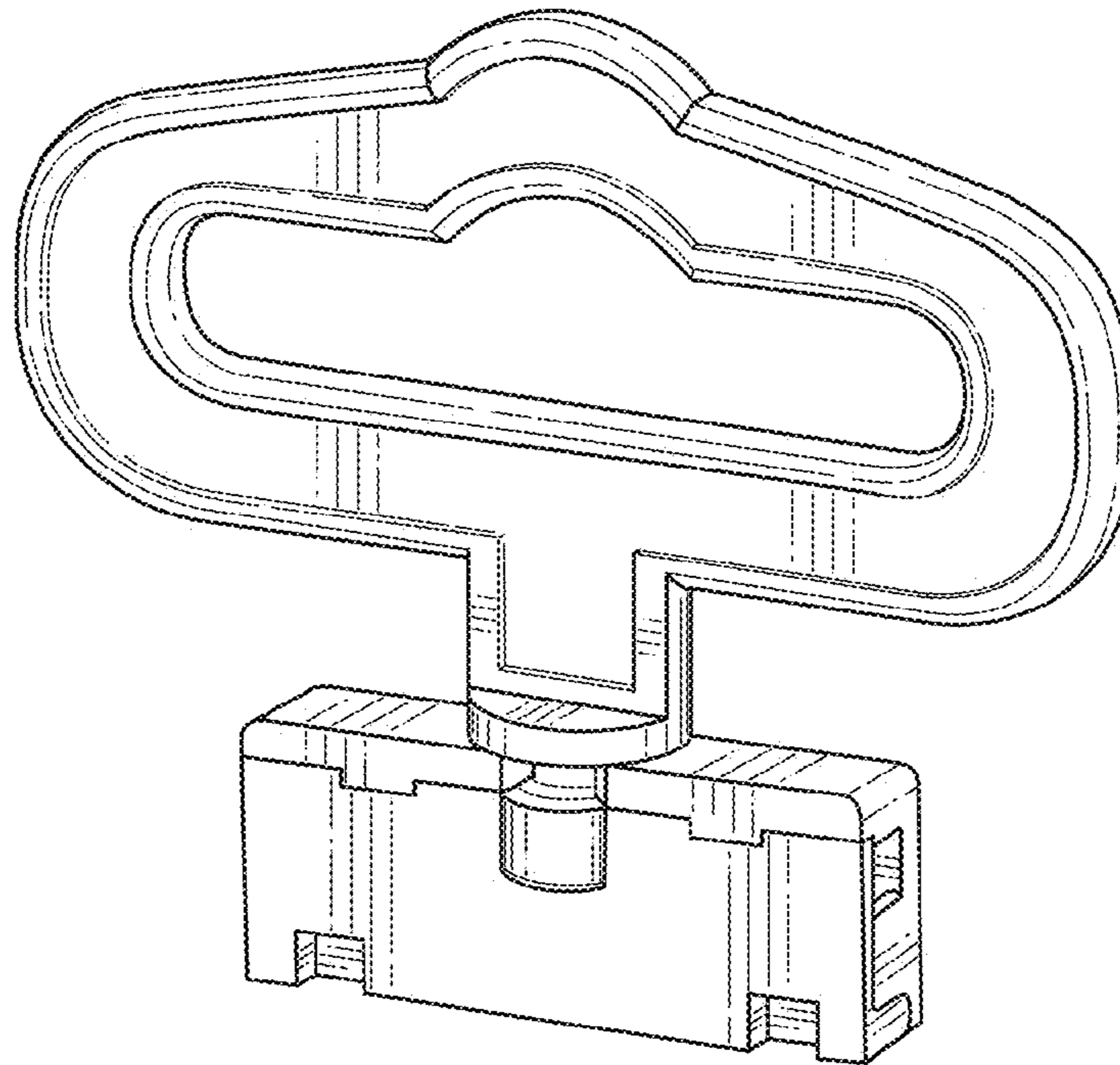


FIG. 8