



US00D732409S

(12) **United States Design Patent**
Bornemann et al.

(10) **Patent No.:** **US D732,409 S**
(45) **Date of Patent:** **** Jun. 23, 2015**

- (54) **WRIST-TOP INSTRUMENT**
- (71) Applicant: **Suunto Oy**, Vantaa (FI)
- (72) Inventors: **Björn Bornemann**, Helsinki (FI);
Thomas Hinskens, Helsinki (FI); **Antti Kujala**, Helsinki (FI)
- (73) Assignee: **Suunto Oy**, Vantaa (FI)
- (**) Term: **14 Years**
- (21) Appl. No.: **29/510,539**
- (22) Filed: **Dec. 1, 2014**
- (51) **LOC (10) Cl.** **10-04**
- (52) **U.S. Cl.**
USPC **D10/70**; D10/39
- (58) **Field of Classification Search**
USPC D10/30–39, 65, 70, 97, 98; D11/3;
D14/138 R, 203.5, 203.6, 341, 344,
D14/347; D24/167, 168
CPC A44C 5/00–5/16; G04B 37/00–37/228;
G04B 45/0069; G04B 47/04; G04B 19/00;
G04B 19/34; G04B 21/12; G04B 23/12;
G04B 47/00–47/068; G01C 17/00; G01C
21/00–21/3697
See application file for complete search history.

7,383,081	B2	6/2008	Butt	
D587,156	S	2/2009	Ahlstrom	
D607,361	S	1/2010	Ahlstrom	
D626,017	S	10/2010	Ahlstrom	
D652,325	S	1/2012	Ahlstrom	
D673,464	S	1/2013	Perko	
D677,595	S	3/2013	Hinskens	
D677,596	S	3/2013	Hinskens	
D705,086	S *	5/2014	Adio	D10/39
D709,846	S *	7/2014	Oswaks	D14/138 R
D717,682	S	11/2014	Yliluoma	
D718,167	S	11/2014	Yliluoma	
D724,971	S *	3/2015	Bailey et al.	D10/70
D725,511	S *	3/2015	Read et al.	D10/70
D725,512	S *	3/2015	Read et al.	D10/70
2007/0091004	A1	4/2007	Puuri	
2013/0088942	A1	4/2013	Perko	

* cited by examiner

Primary Examiner — Antoine D Davis
(74) *Attorney, Agent, or Firm* — Terence P. O'Brien

(57) **CLAIM**
We claim the ornamental design for a wrist-top instrument, as shown and described.

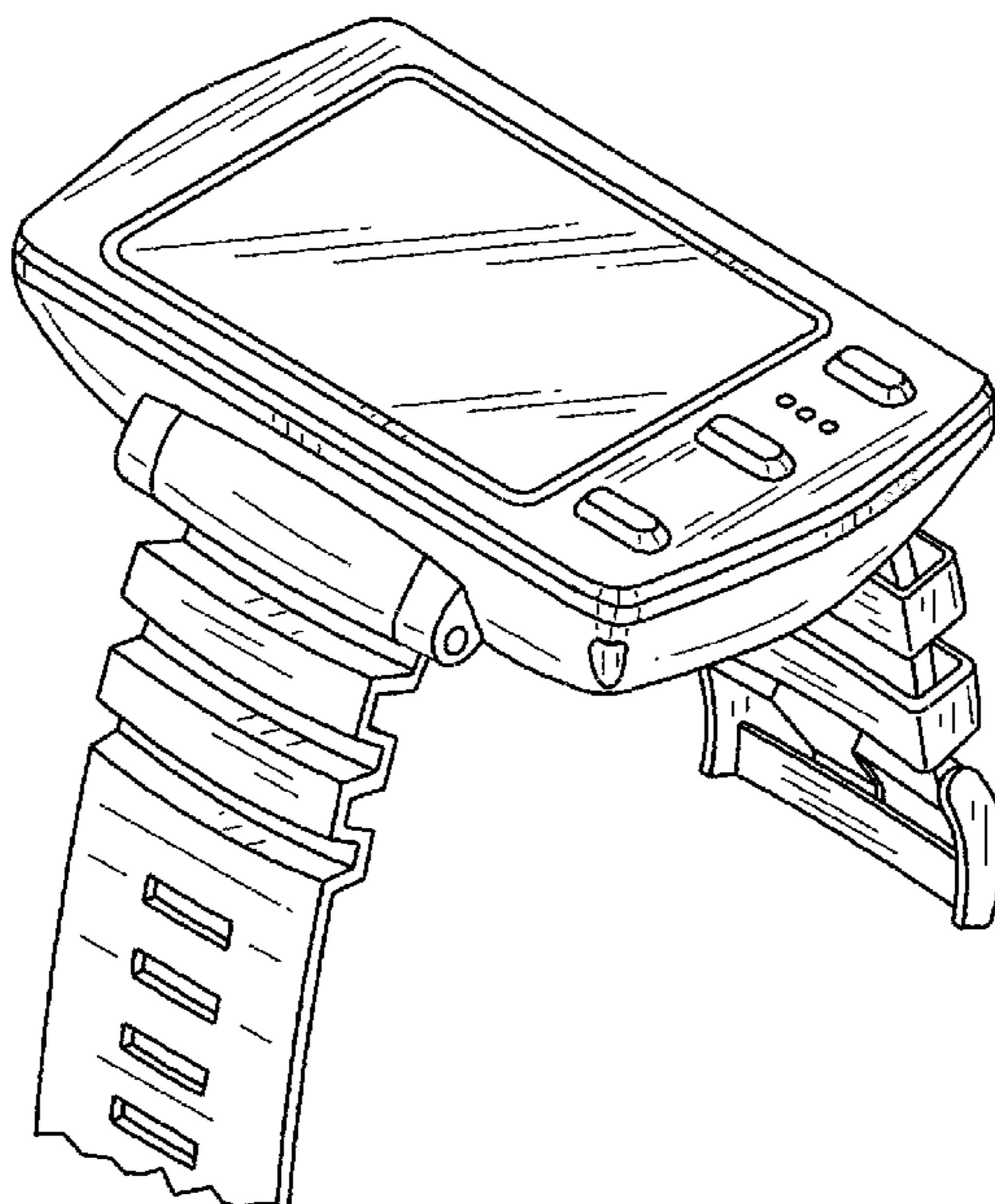
DESCRIPTION

FIG. 1 is top, side perspective view of a wrist-top instrument; FIG. 2 is a top view of the wrist-top instrument of FIG. 1; FIG. 3 is a bottom view of the wrist-top instrument of FIG. 1; FIG. 4 is a side view of the wrist-top instrument of FIG. 1; FIG. 5 is a first end view of the wrist-top instrument of FIG. 1; and, FIG. 6 is a second end view of the wrist-top instrument of FIG. 1.

The ornamental design that is claimed is shown in solid lines in the drawings.

1 Claim, 4 Drawing Sheets

- (56) **References Cited**
U.S. PATENT DOCUMENTS
D301,840 S * 6/1989 Houlihan D10/31
D302,391 S * 7/1989 Houlihan D10/32
D328,871 S * 8/1992 Houlihan D10/32
D541,179 S 4/2007 Ahlstrom
7,271,774 B2 9/2007 Puuri



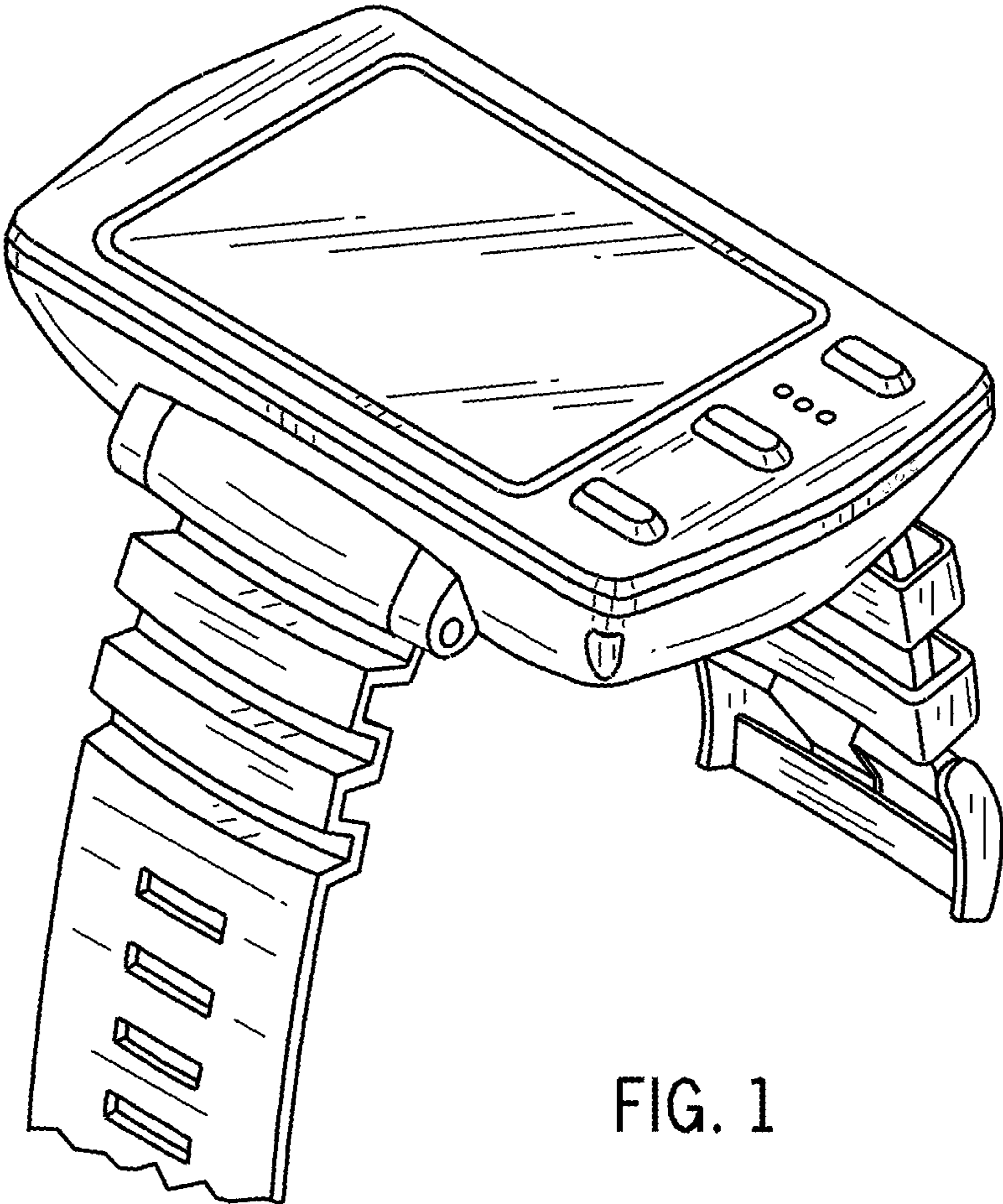


FIG. 1

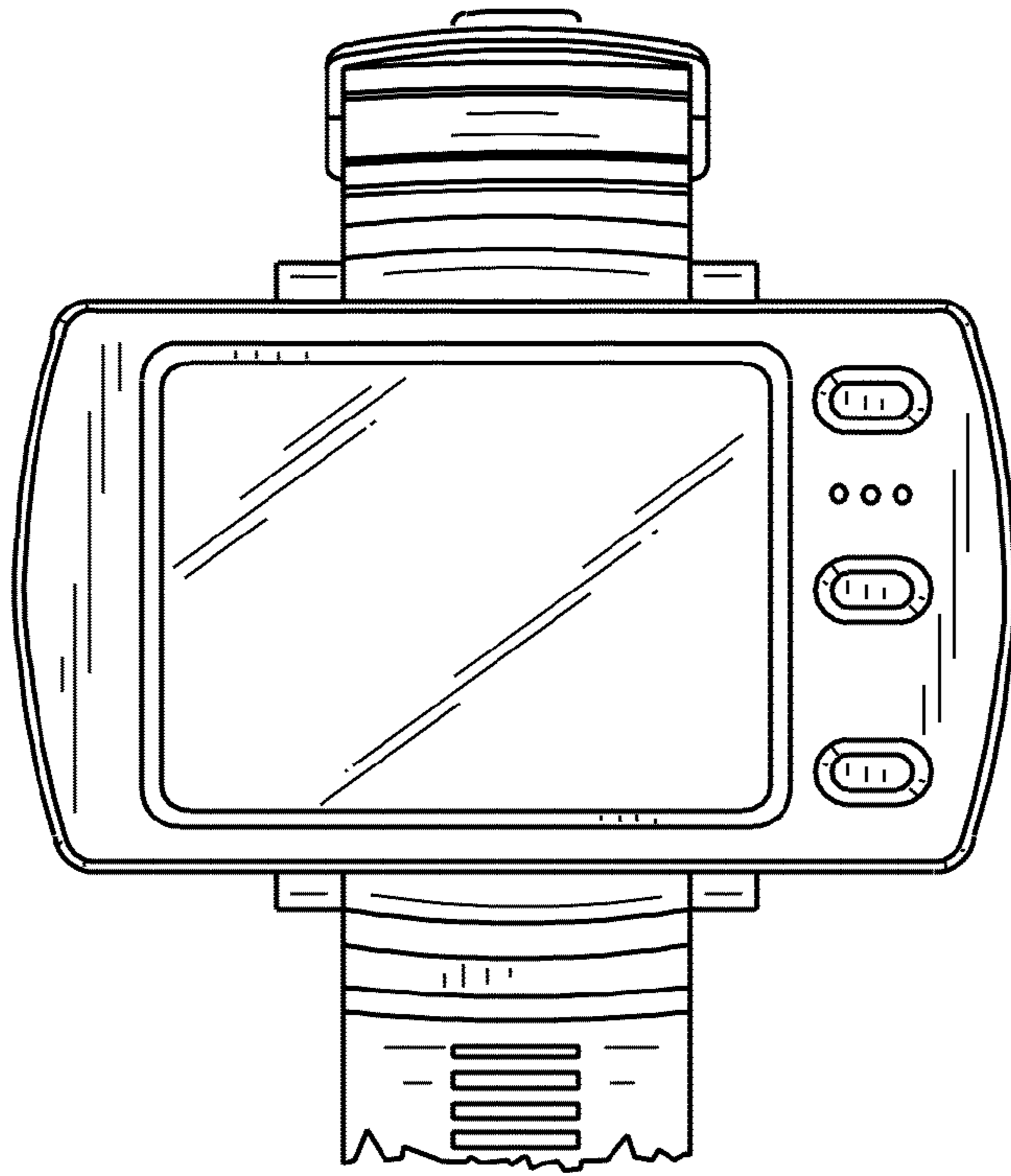
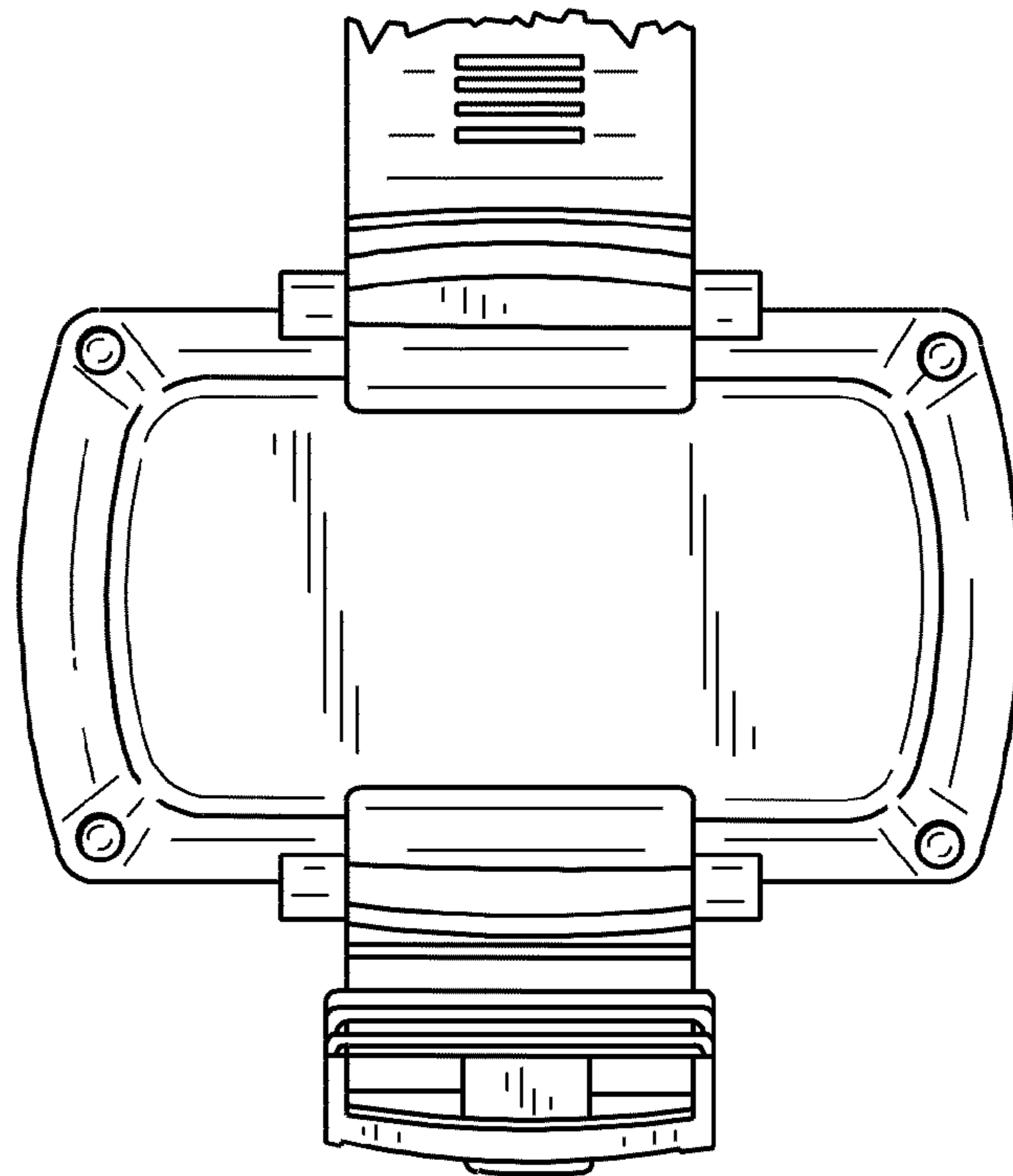


FIG. 2

FIG. 3



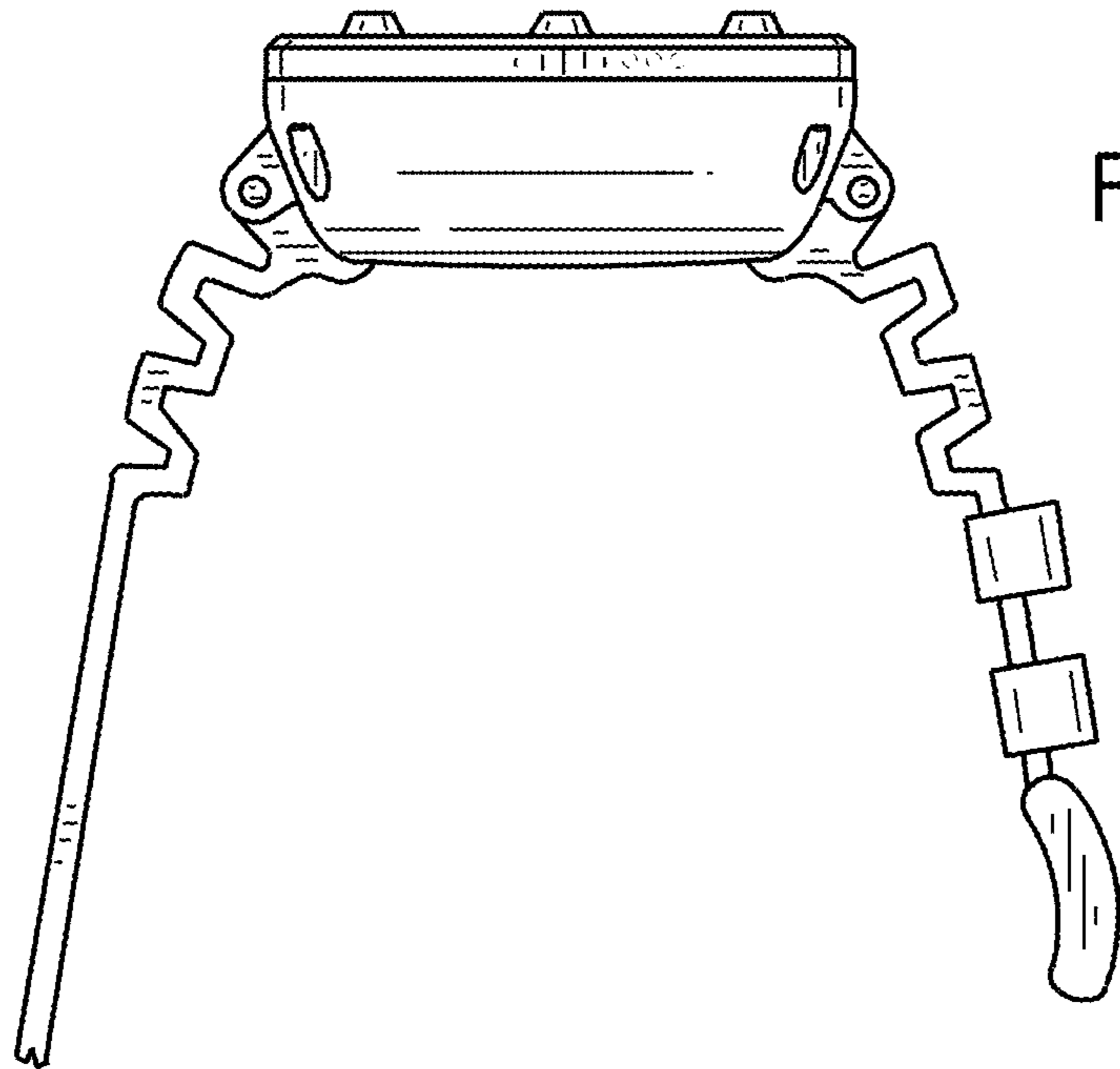


FIG. 4

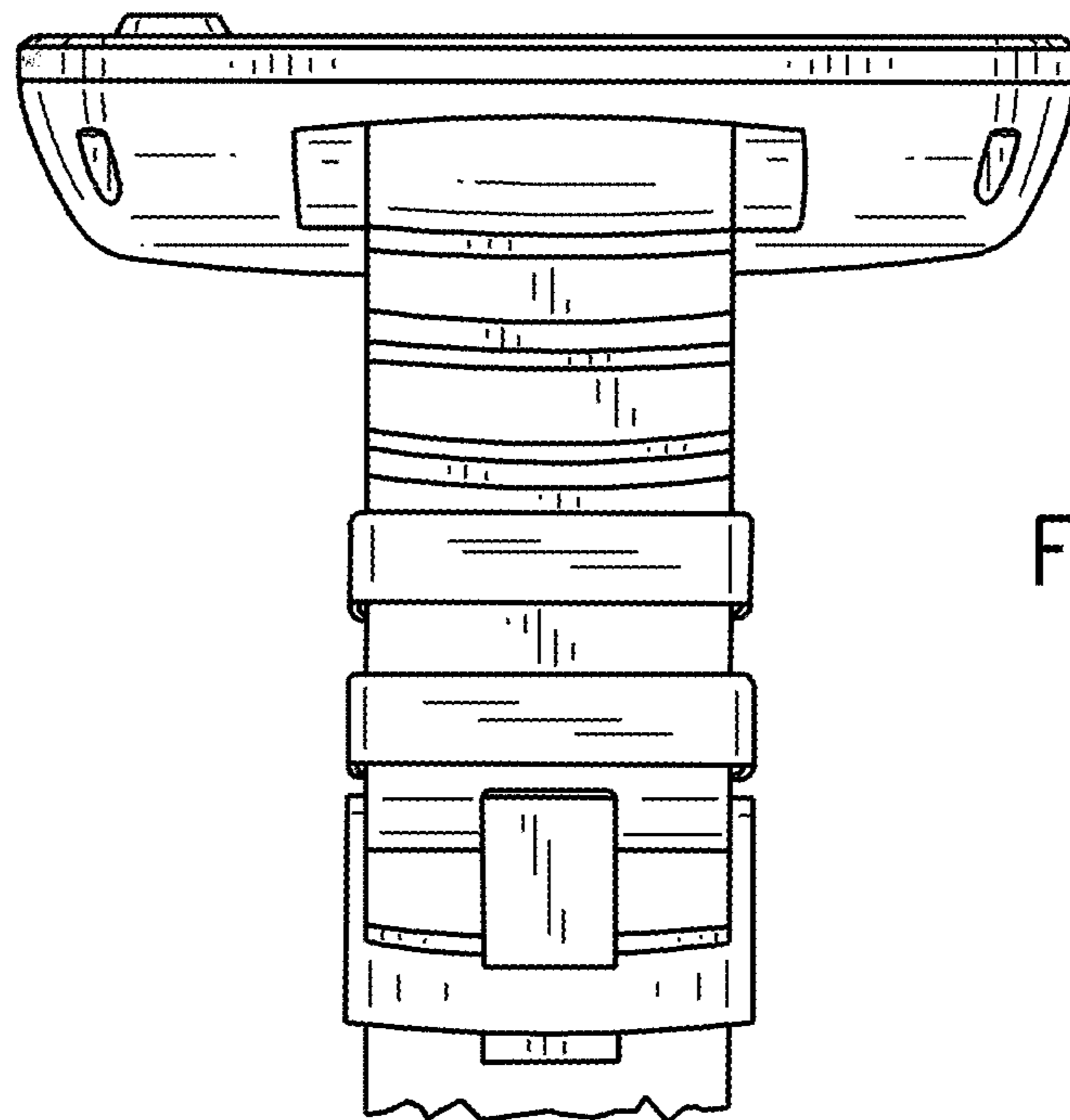


FIG. 5

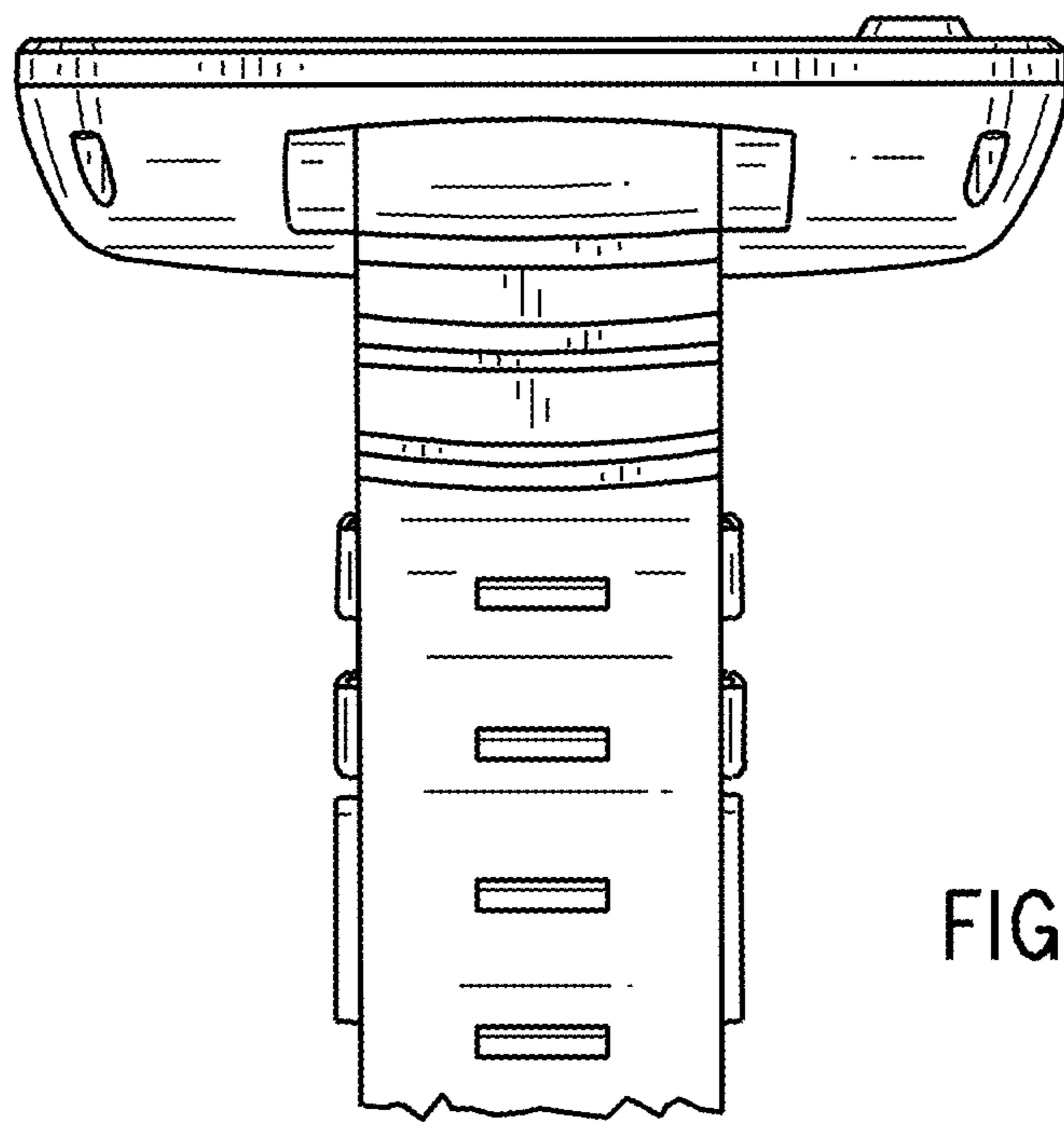


FIG. 6