



US00D732407S

(12) **United States Design Patent**  
**Mille**

(10) **Patent No.:** **US D732,407 S**  
(45) **Date of Patent:** **\*\* Jun. 23, 2015**

(54) **WATCH**

(71) Applicant: **Turlen Holding SA**, Soyhières (CH)

(72) Inventor: **Richard Mille**, Moulins (FR)

(73) Assignee: **TURLEN HOLDING SA**, Soyhieres (CH)

(\*\*) Term: **14 Years**

(21) Appl. No.: **29/490,354**

(22) Filed: **May 9, 2014**

(30) **Foreign Application Priority Data**

Dec. 20, 2013 (WO) ..... DM/082 526

(51) **LOC (10) Cl.** ..... **10-02**

(52) **U.S. Cl.**  
USPC ..... **D10/39; D10/34; D10/125**

(58) **Field of Classification Search**  
USPC ..... D10/30-39, 1-29, 122-132; D11/49  
CPC ..... G04B 15/00; G04B 17/06; G04B 17/285;  
G04B 37/00; G04B 37/0008; G04B 37/225;  
G04B 45/00; G04B 45/0038; G04B 45/0069;  
G04B 45/0076; G04B 45/02

See application file for complete search history.

(56) **References Cited**

**U.S. PATENT DOCUMENTS**

D114,631 S *	5/1939	Bernstein	.....	D10/34
D131,757 S *	3/1942	Katz	.....	D11/49
4,376,996 A *	3/1983	Wuthrich	.....	368/220
4,382,690 A *	5/1983	Erard	.....	368/77
4,534,660 A *	8/1985	Laesser	.....	368/220
D302,131 S *	7/1989	Woomer	.....	D10/39
4,926,401 A *	5/1990	Vuilleumier et al.	.....	368/88
D456,274 S *	4/2002	Mille	.....	D10/30
D524,181 S *	7/2006	Nataf	.....	D10/126

D530,229 S *	10/2006	Wunderman	.....	D10/32
D539,675 S *	4/2007	Chastaingt	.....	D10/39
D545,695 S *	7/2007	Laucella	.....	D10/31
D570,710 S *	6/2008	Wong	.....	D10/30
D601,440 S *	10/2009	Sirmakes	.....	D10/32
D627,506 S *	11/2010	Lin	.....	D26/125
D640,572 S *	6/2011	Calce	.....	D10/32
D649,481 S *	11/2011	Crocco	.....	D10/39
D650,708 S *	12/2011	Laucella	.....	D10/39
D658,514 S *	5/2012	Mille	.....	D10/39
D658,515 S *	5/2012	Mille	.....	D10/39
D658,516 S *	5/2012	Mille	.....	D10/39
D660,184 S *	5/2012	Calce	.....	D10/32
D661,602 S *	6/2012	Calce	.....	D10/32
D663,220 S *	7/2012	Mouclier	.....	D10/1
D664,047 S *	7/2012	Mille	.....	D10/39
D673,868 S *	1/2013	Mille	.....	D10/39
D692,323 S *	10/2013	Mille	.....	D10/39
2008/0013409 A1 *	1/2008	Bland et al.	.....	368/223

\* cited by examiner

*Primary Examiner* — Martie K Holtje

(74) *Attorney, Agent, or Firm* — Donald J. Ranft; Kristen A. Mogavero; Collen IP

(57) **CLAIM**  
The ornamental design for a watch, as shown.

**DESCRIPTION**

FIG. 1 is a front right perspective view of a watch showing my new design;  
FIG. 2 is a front left perspective view thereof;  
FIG. 3 is a rear right perspective view thereof;  
FIG. 4 is a rear left perspective view thereof;  
FIG. 5 is a front view thereof;  
FIG. 6 is a rear view thereof;  
FIG. 7 is a left side view thereof;  
FIG. 8 is a right side view thereof;  
FIG. 9 is a top view thereof; and,  
FIG. 10 is a bottom view thereof.

**1 Claim, 10 Drawing Sheets**

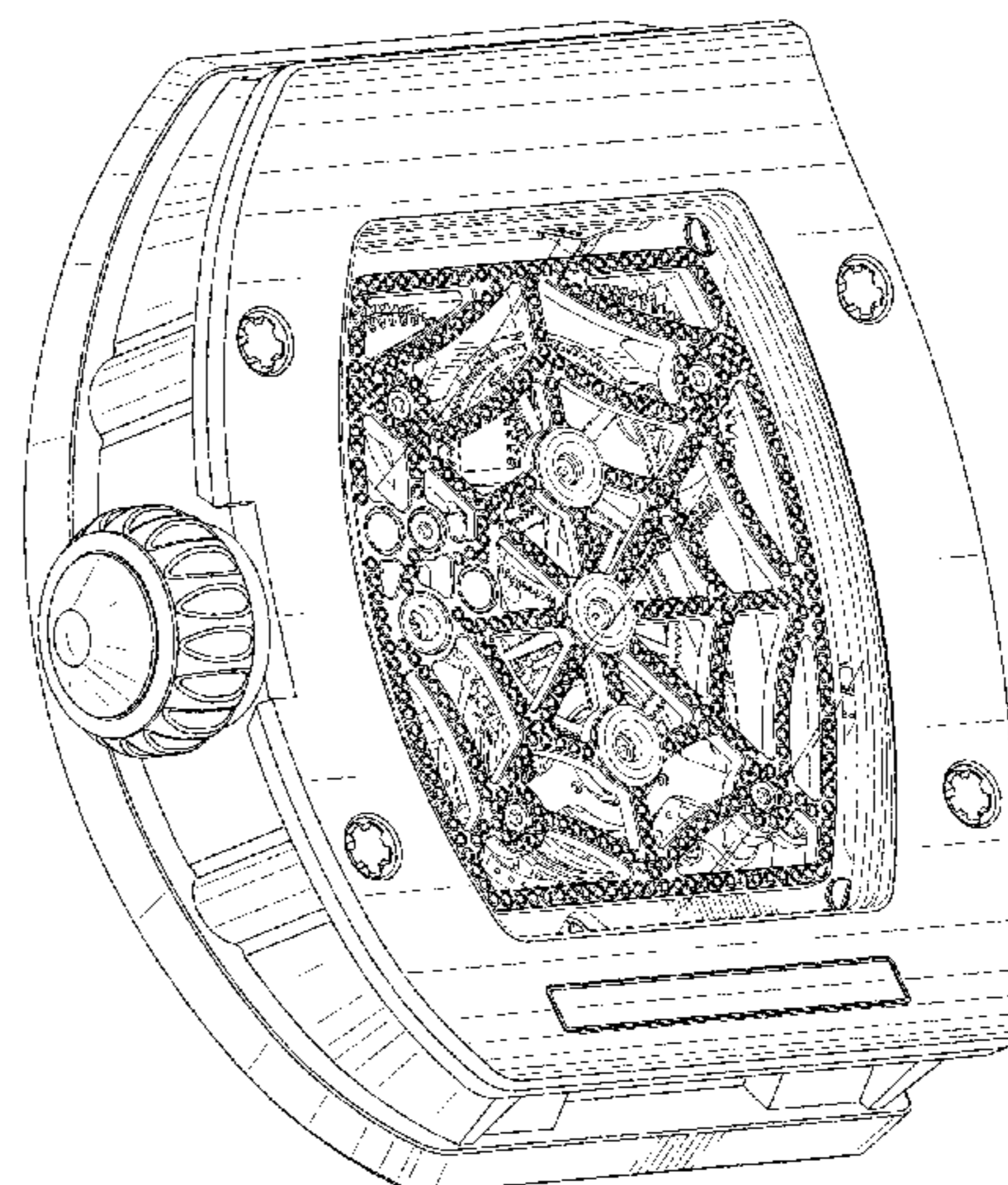
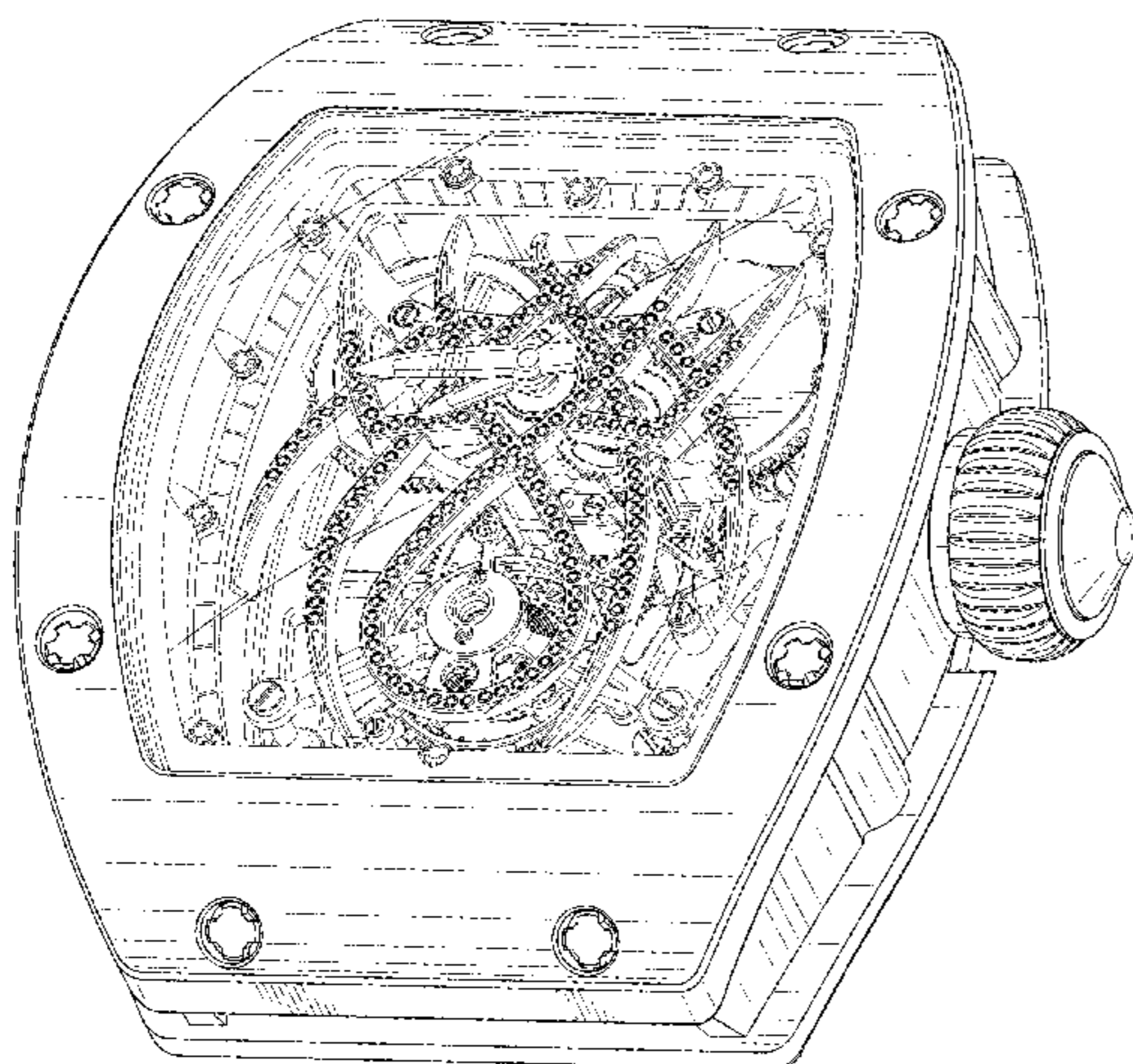




FIG. 1

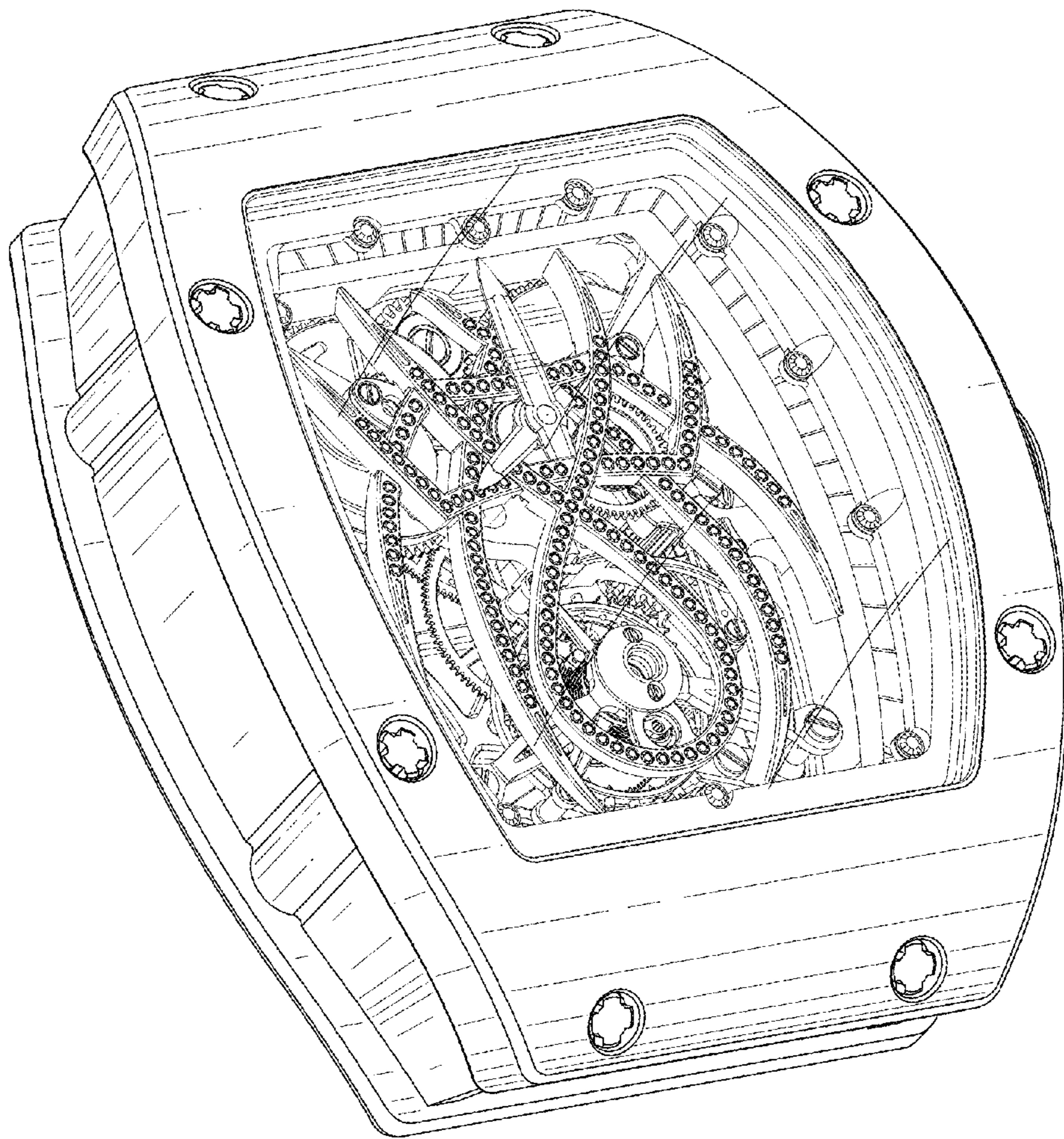


FIG.2

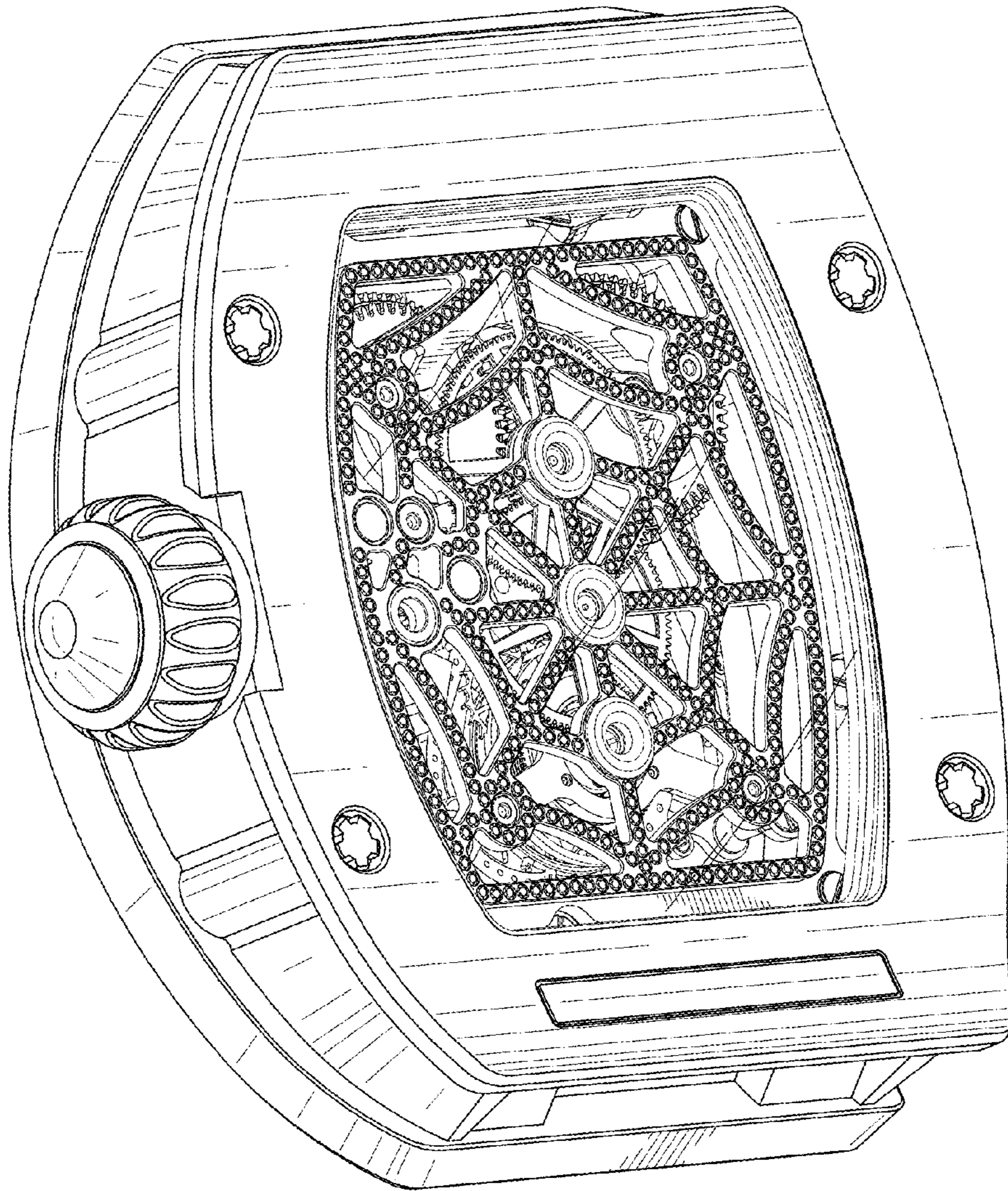


FIG. 3



FIG.4



FIG. 5

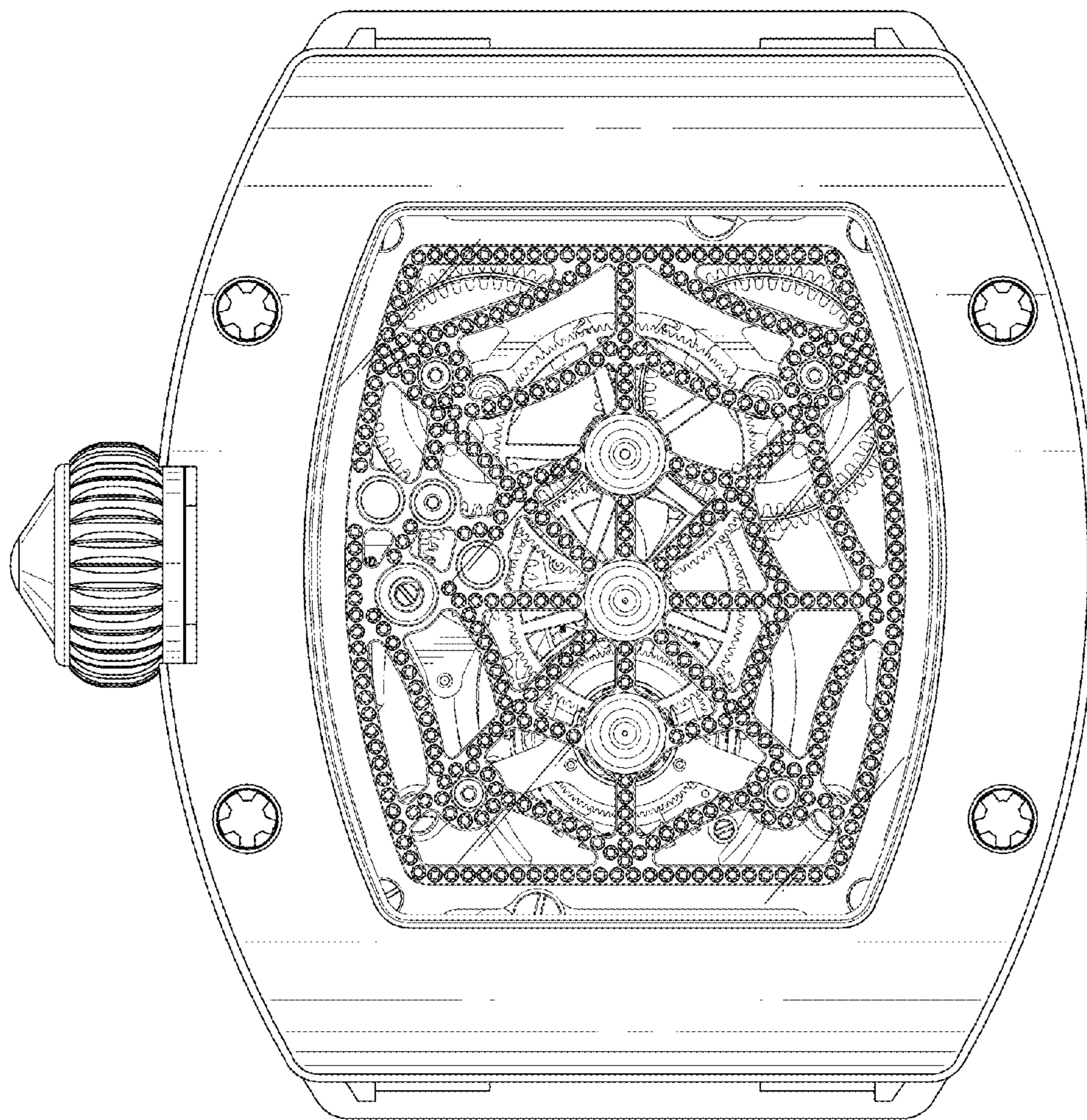


FIG.6

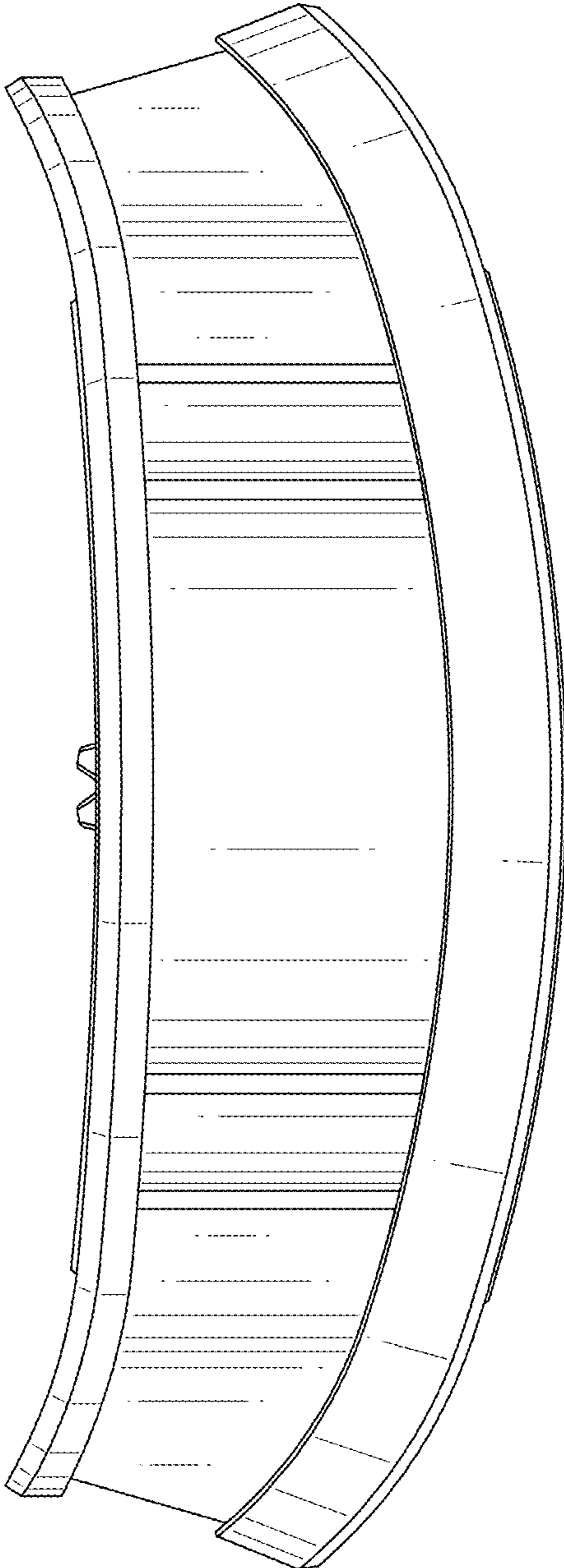


FIG. 7



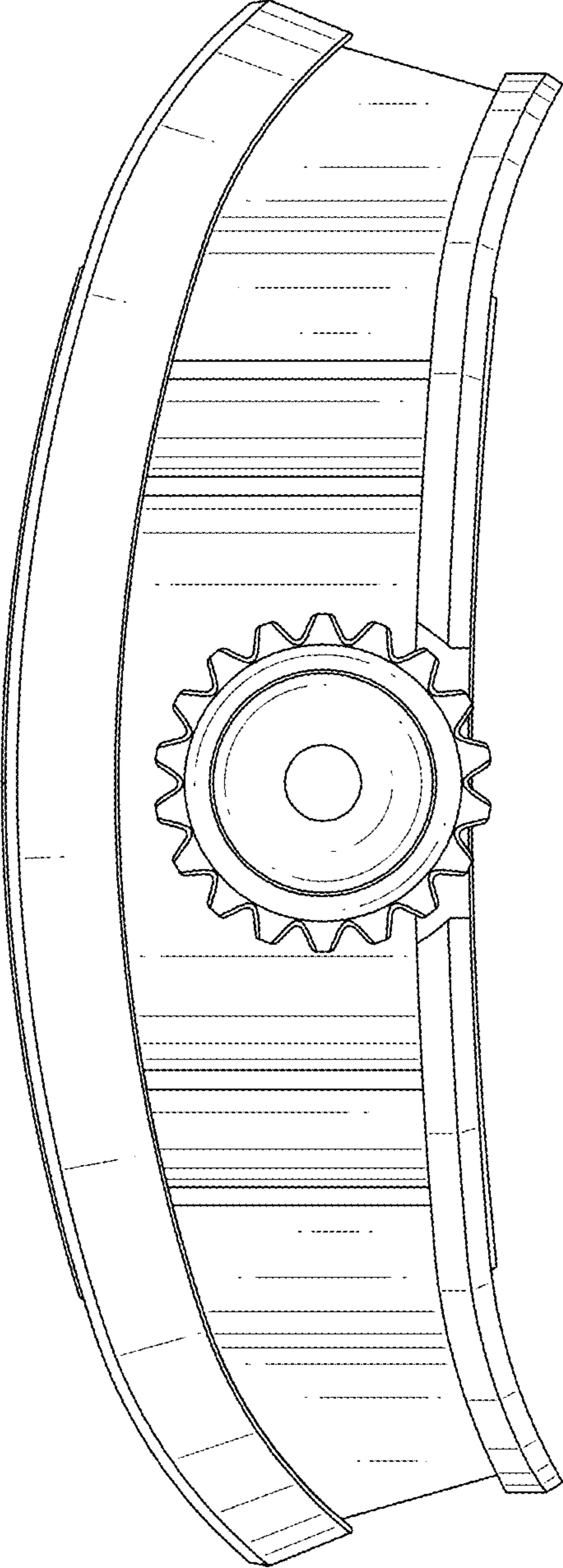


FIG.8

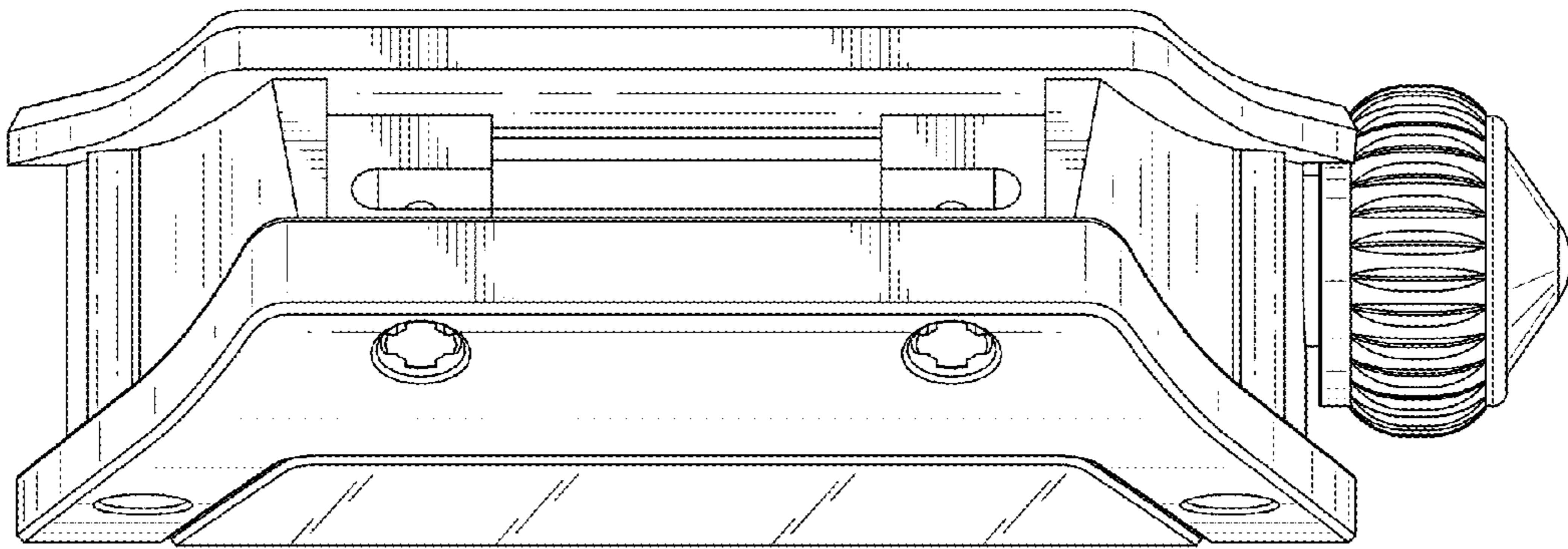


FIG.9

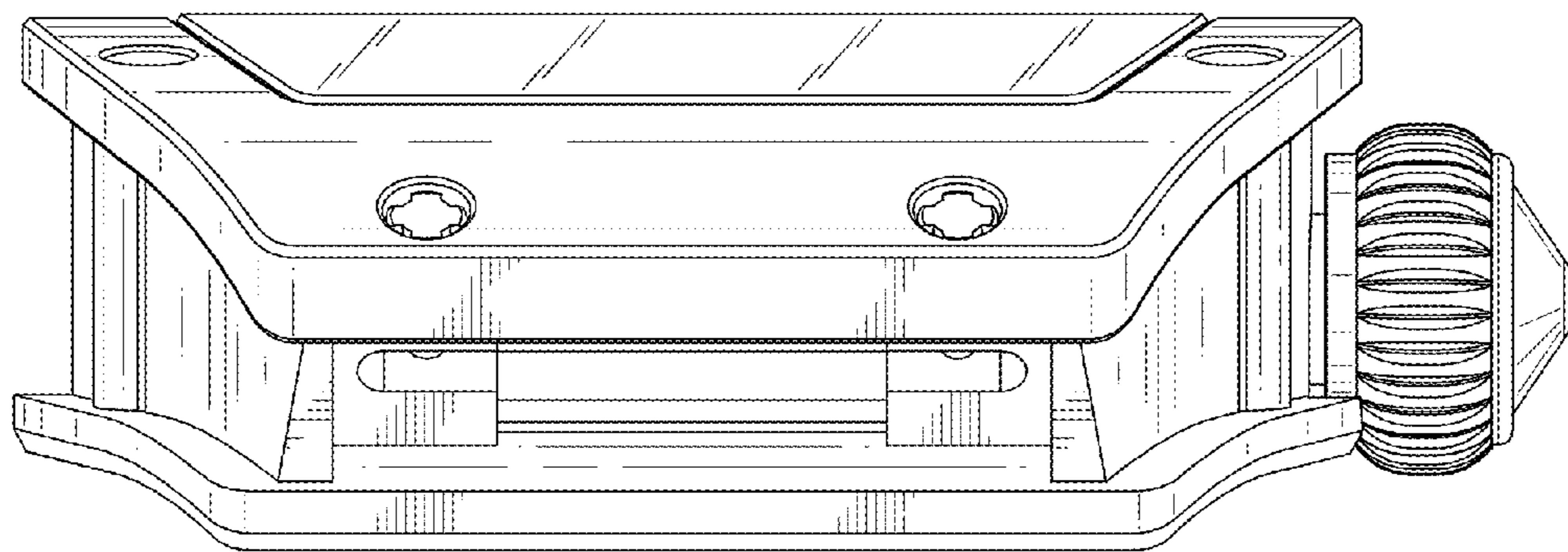


FIG. 10