



US00D732406S

(12) **United States Design Patent**  
**Mille**

(10) **Patent No.:** **US D732,406 S**  
(45) **Date of Patent:** **\*\* Jun. 23, 2015**

- (54) **WATCH**
- (71) Applicant: **Turlen Holding SA**, Soyhières (CH)
- (72) Inventor: **Richard Mille**, Moulins (FR)
- (73) Assignee: **TURLEN HOLDING SA**, Soyhieres (CH)
- (\*\*) Term: **14 Years**
- (21) Appl. No.: **29/484,999**
- (22) Filed: **Mar. 14, 2014**

- (30) **Foreign Application Priority Data**  
Dec. 5, 2013 (WO) ..... DM/082 382
- (51) **LOC (10) Cl.** ..... **10-02**
- (52) **U.S. Cl.**  
USPC ..... **D10/39; D10/125**
- (58) **Field of Classification Search**  
USPC ..... D10/30-39, 1-29, 122-132  
CPC ..... G04B 15/00; G04B 17/06; G04B 17/285;  
G04B 37/00; G04B 37/0008; G04B 37/225;  
G04B 45/00; G04B 45/0038; G04B 45/0069;  
G04B 45/0076; G04B 45/02  
See application file for complete search history.

- (56) **References Cited**  
**U.S. PATENT DOCUMENTS**  
4,376,996 A \* 3/1983 Wuthrich ..... 368/220  
4,382,690 A \* 5/1983 Erard ..... 368/77  
4,534,660 A \* 8/1985 Laesser ..... 368/220  
D302,131 S \* 7/1989 Woomer ..... D10/39  
4,926,401 A \* 5/1990 Vuilleumier et al. .... 368/88

D456,274 S *	4/2002	Mille	.....	D10/30
D530,229 S *	10/2006	Wunderman	.....	D10/32
D545,695 S *	7/2007	Laucella	.....	D10/31
D570,710 S *	6/2008	Wong	.....	D10/30
D640,572 S *	6/2011	Calce	.....	D10/32
D650,708 S *	12/2011	Laucella	.....	D10/39
D658,514 S *	5/2012	Mille	.....	D10/39
D658,515 S *	5/2012	Mille	.....	D10/39
D658,516 S *	5/2012	Mille	.....	D10/39
D660,184 S *	5/2012	Calce	.....	D10/32
D661,602 S *	6/2012	Calce	.....	D10/32
D664,047 S *	7/2012	Mille	.....	D10/39
D673,868 S *	1/2013	Mille	.....	D10/39
D692,323 S *	10/2013	Mille	.....	D10/39
2008/0013409 A1 *	1/2008	Bland et al.	.....	368/223

\* cited by examiner

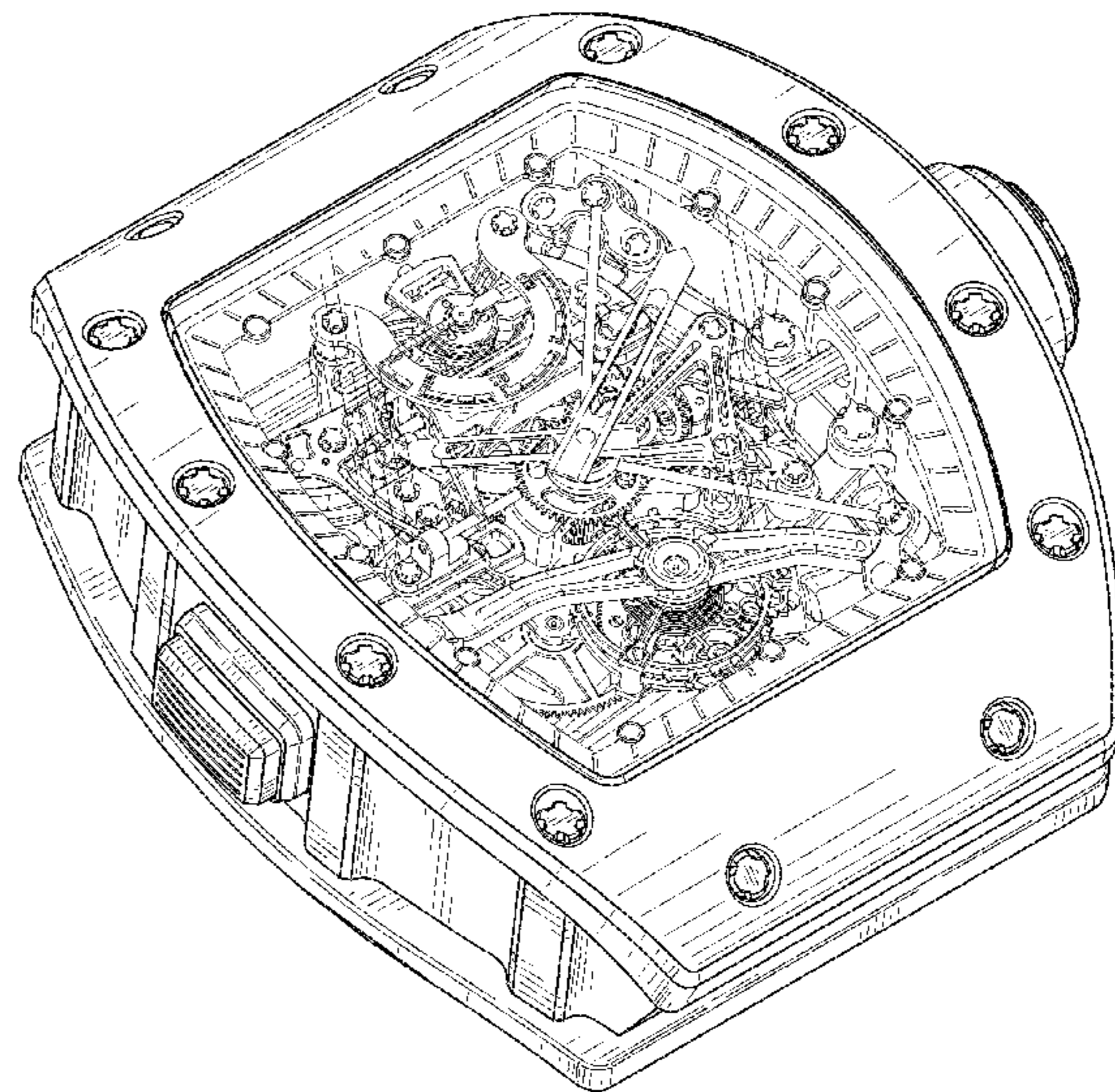
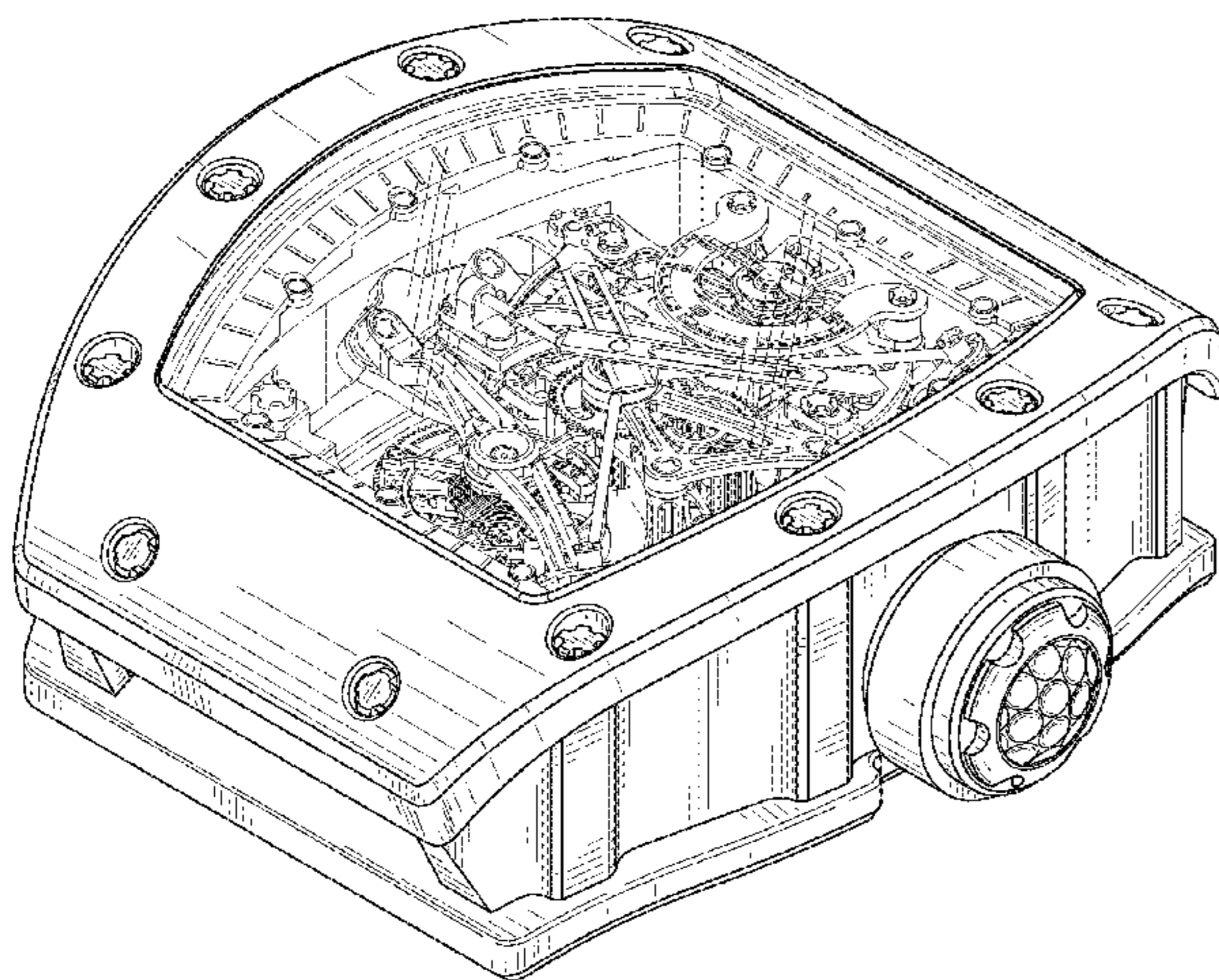
*Primary Examiner* — Martie K Holtje  
(74) *Attorney, Agent, or Firm* — Donald J. Ranft; Kristen A. Mogavero; Collen IP

(57) **CLAIM**  
The ornamental design for a watch, as shown.

**DESCRIPTION**

FIG. 1 is a front right perspective view of a watch showing my new design;  
FIG. 2 is a front left perspective view thereof;  
FIG. 3 is a front view thereof;  
FIG. 4 is a rear view thereof;  
FIG. 5 is a left side view thereof;  
FIG. 6 is a right side view thereof;  
FIG. 7 is a top view thereof;  
FIG. 8 is a bottom view thereof;  
FIG. 9 is a rear right perspective view thereof; and,  
FIG. 10 is a rear left perspective view thereof.

**1 Claim, 8 Drawing Sheets**



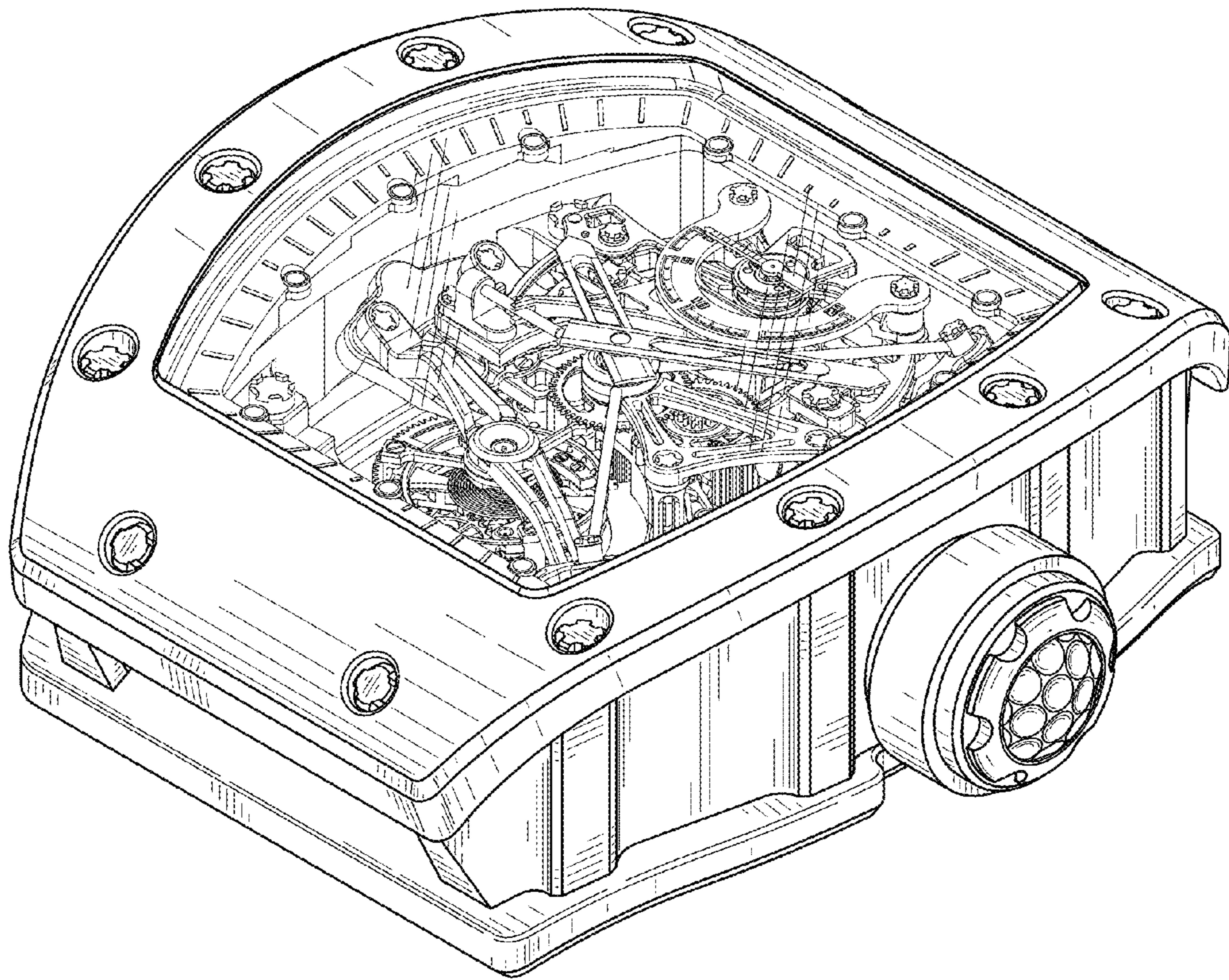


FIG. 1

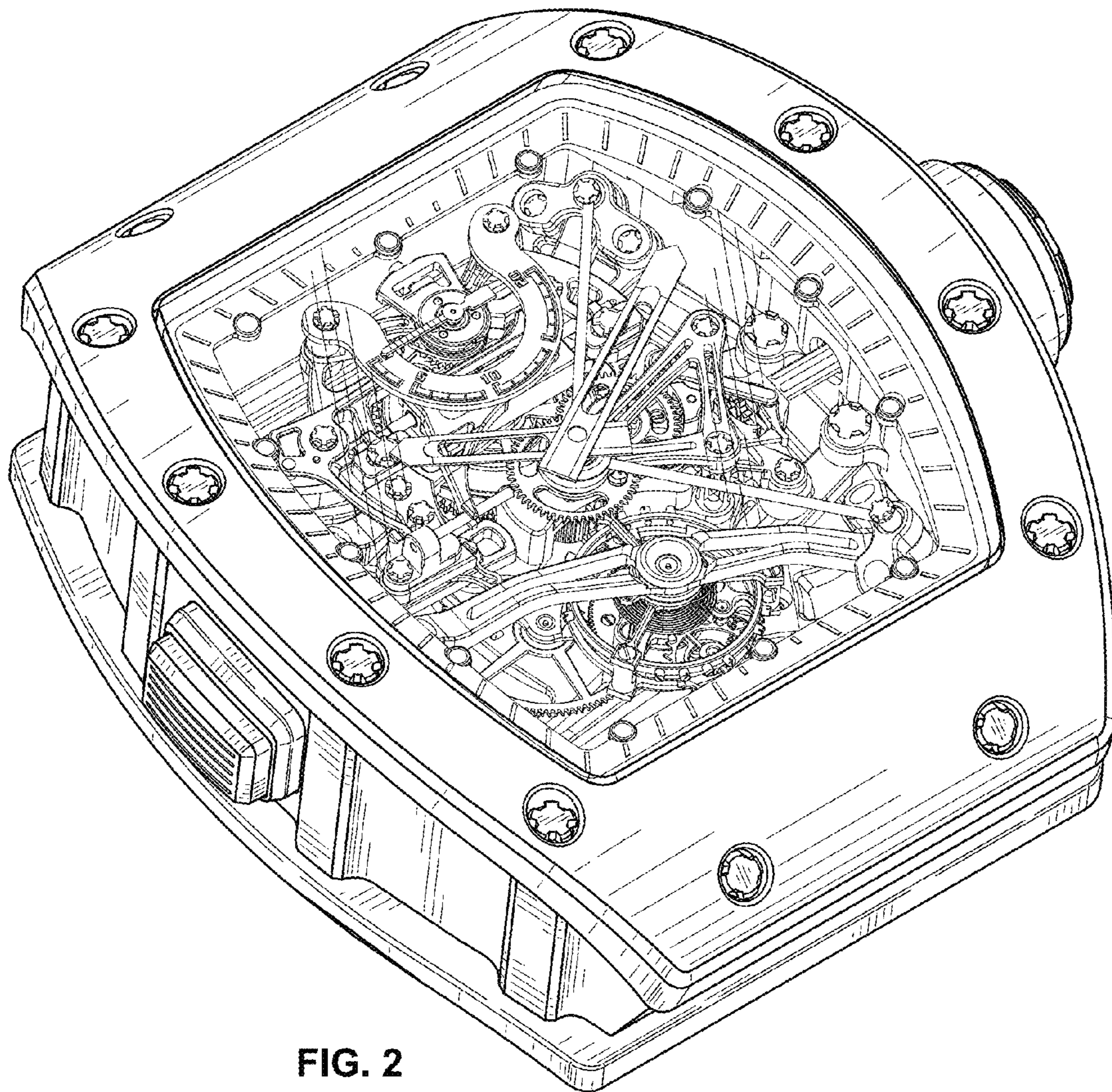


FIG. 2



FIG. 3

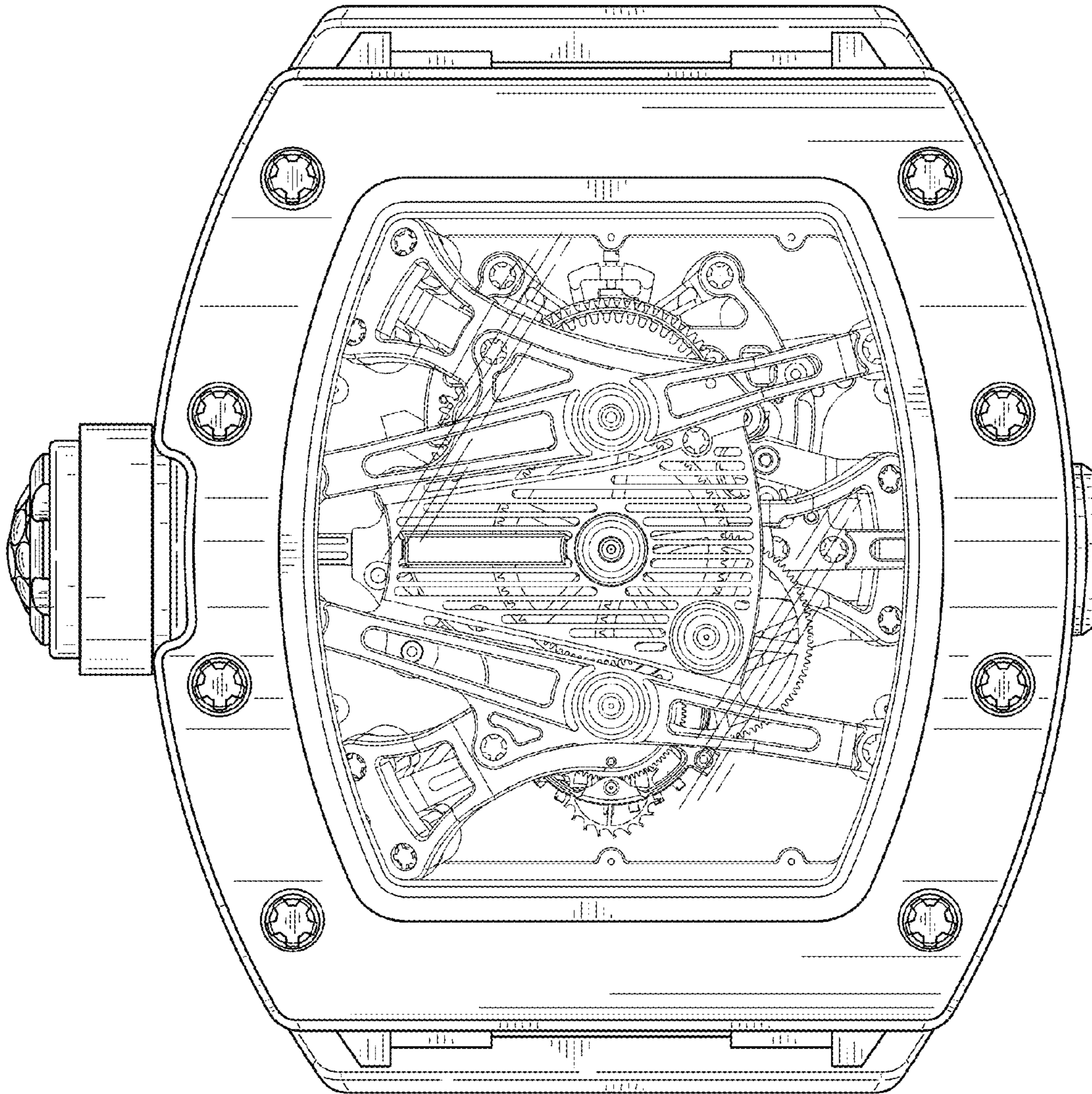


FIG. 4

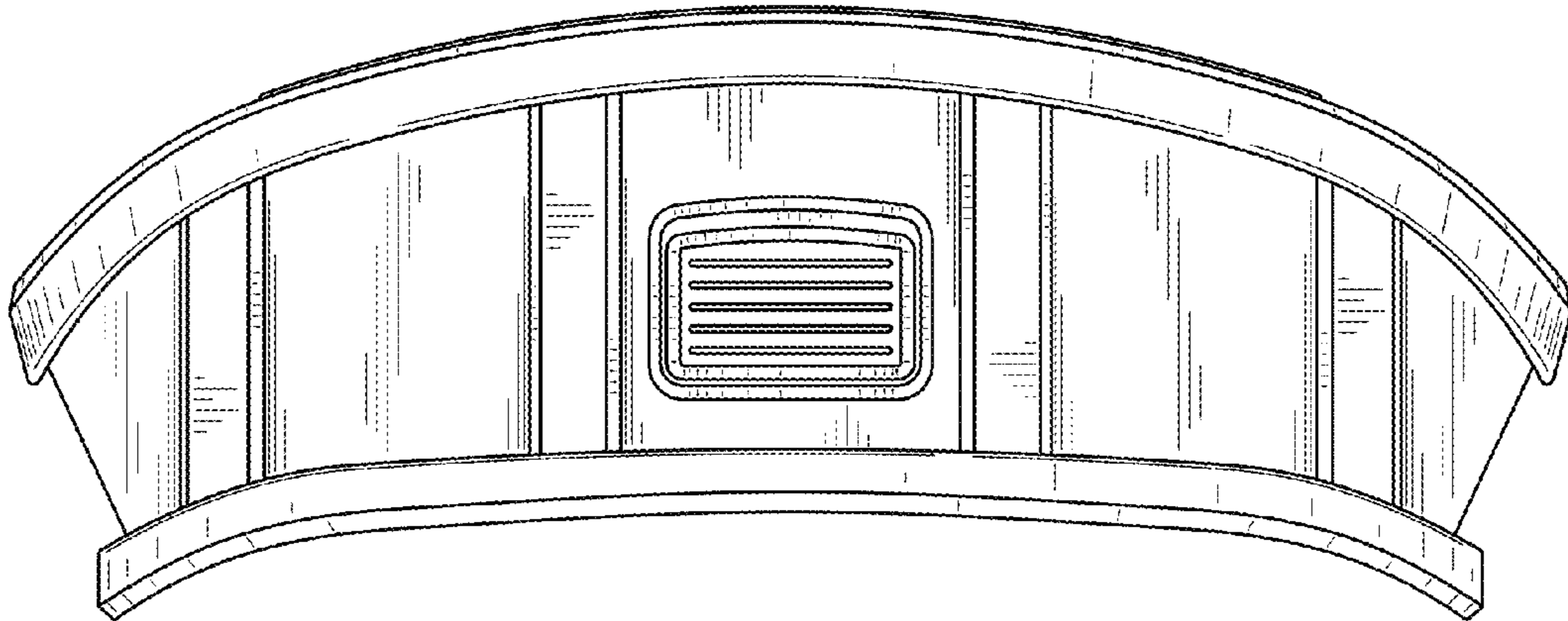


FIG. 5

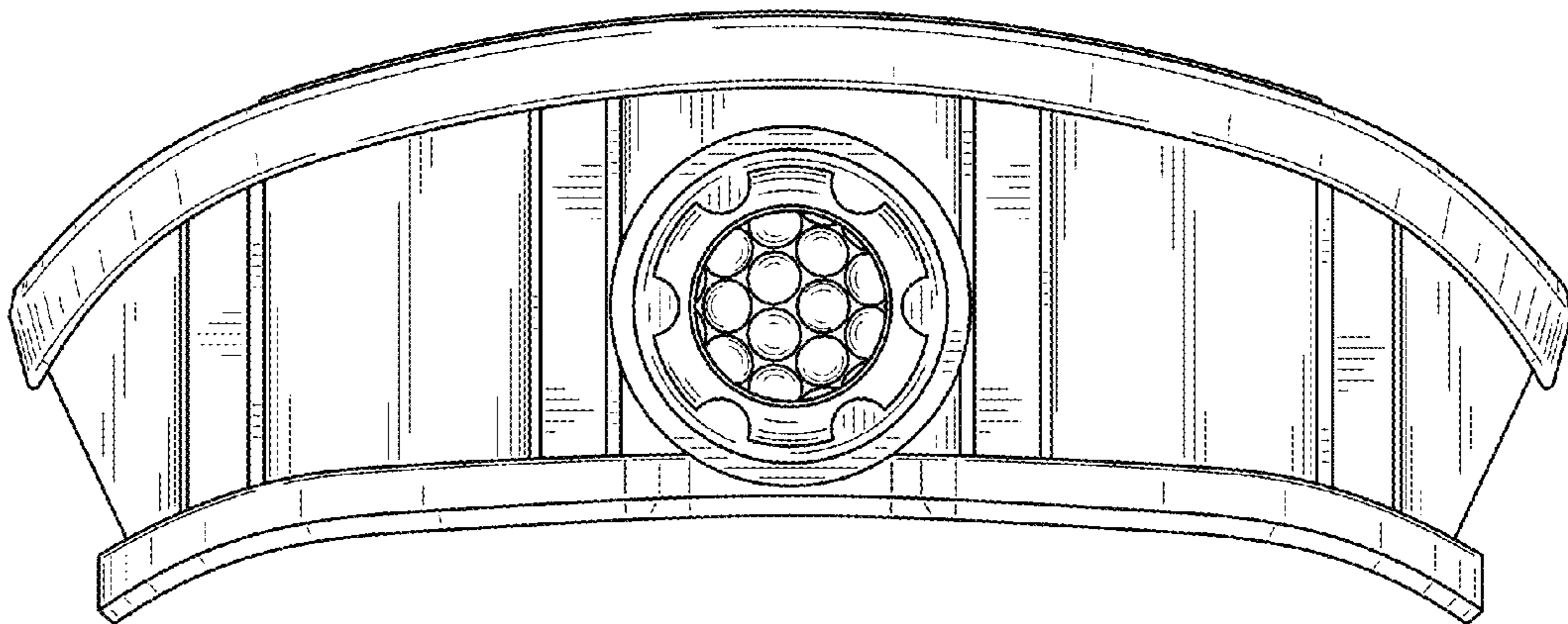


FIG. 6

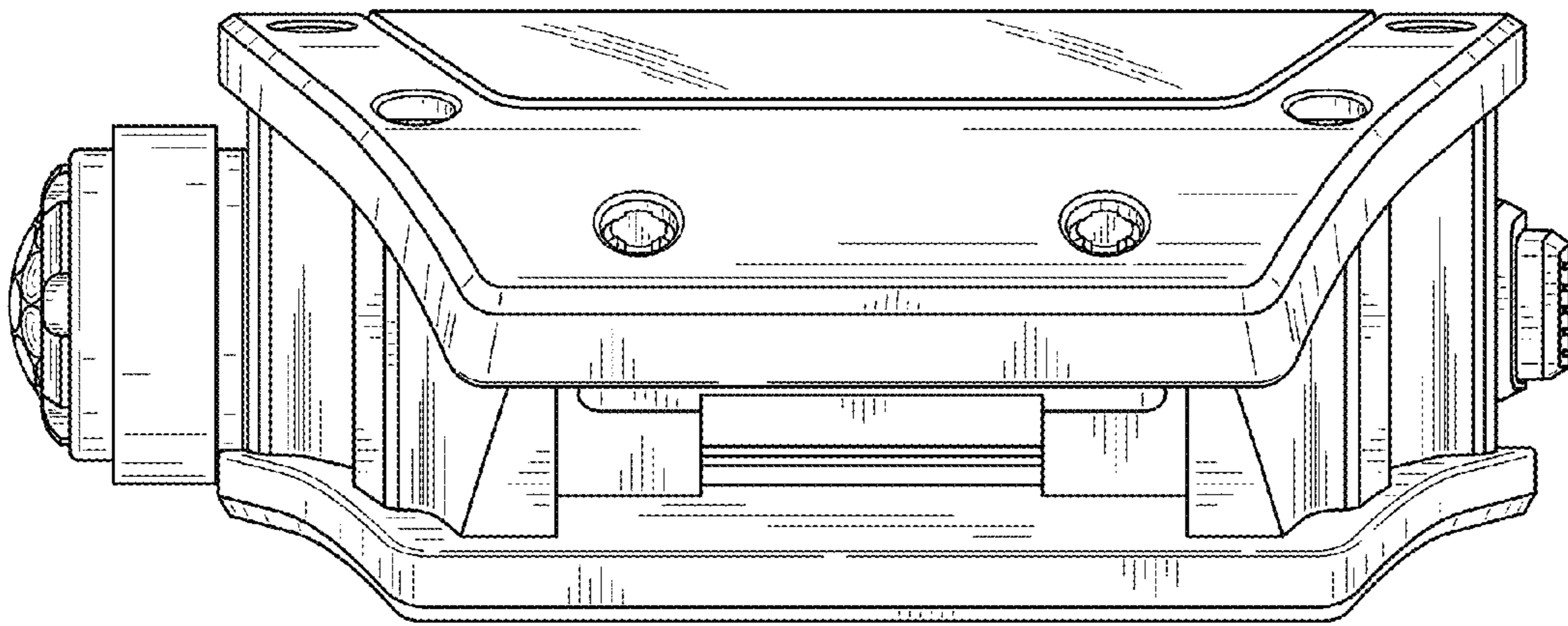


FIG. 7

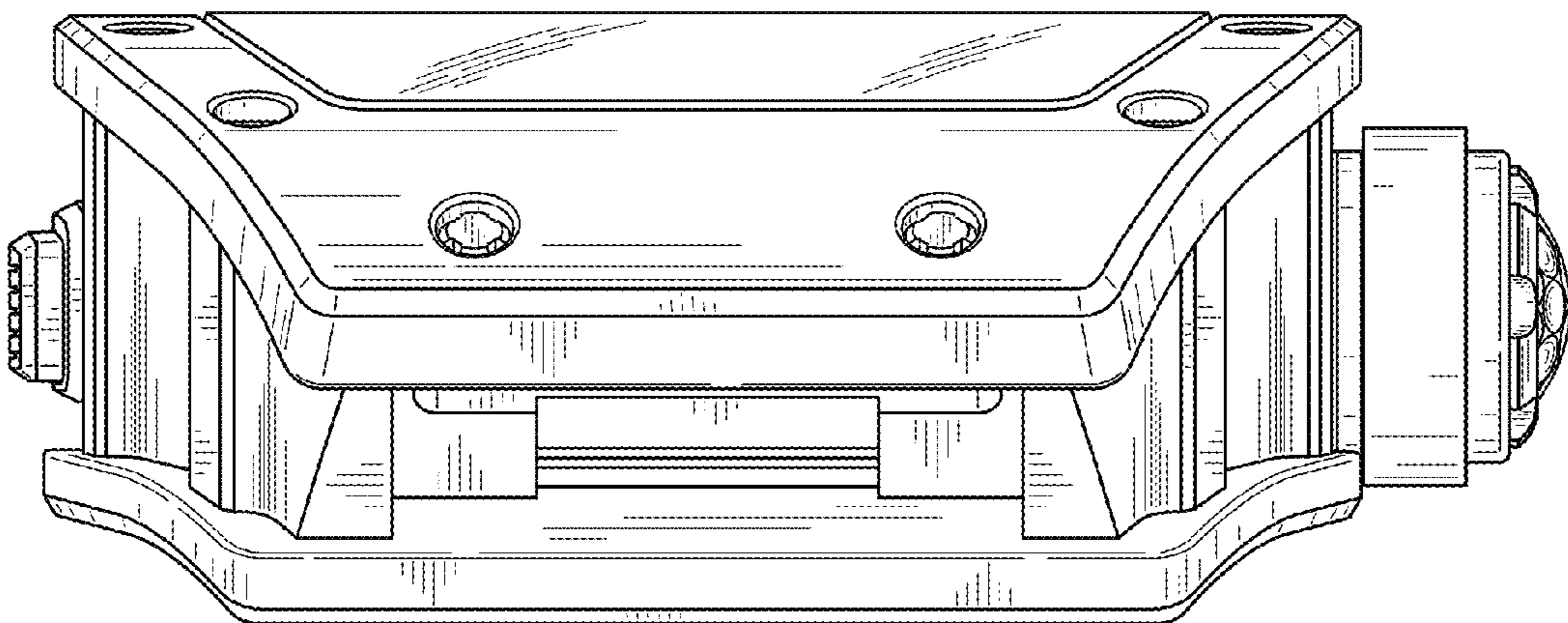


FIG. 8

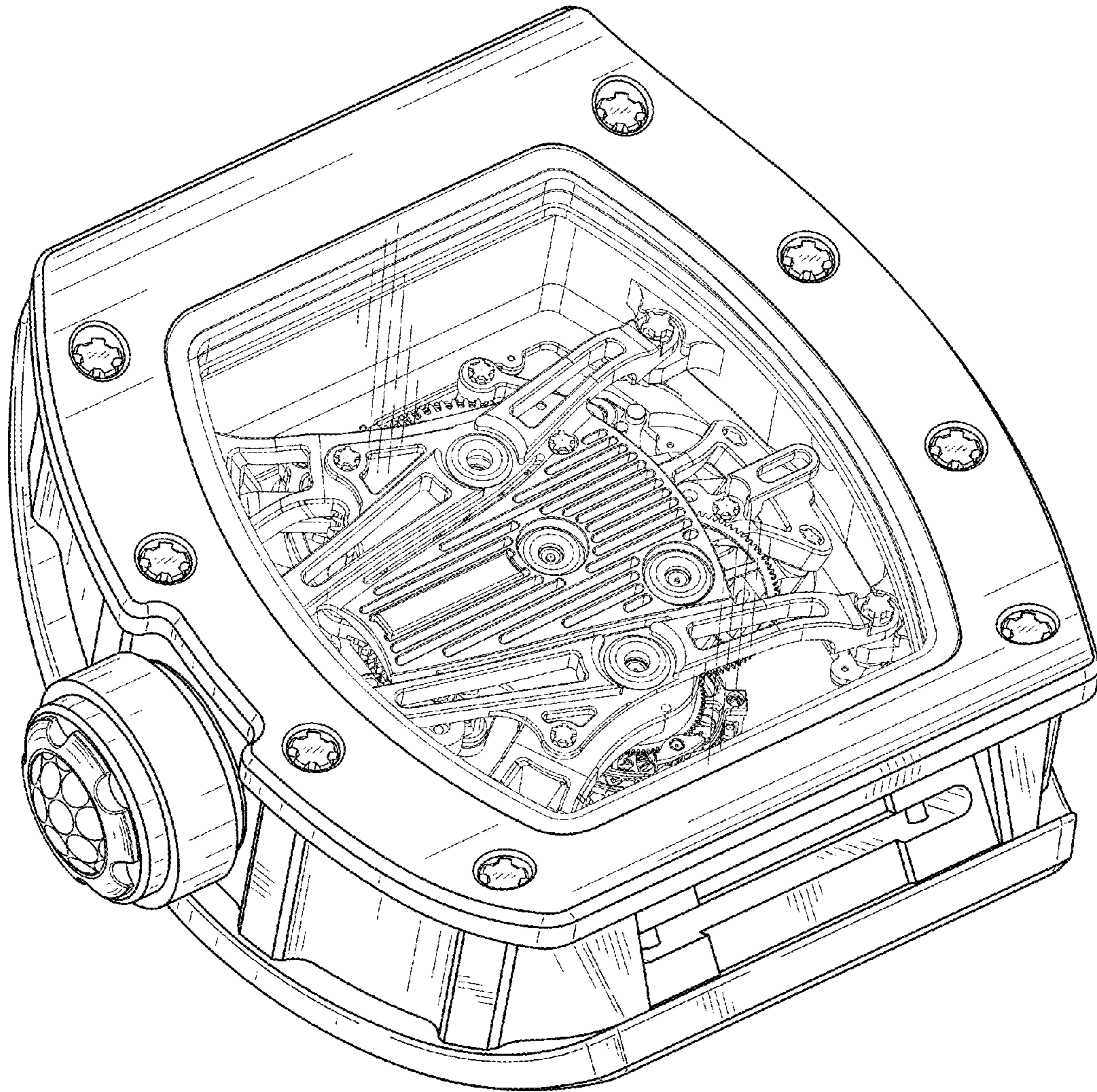


FIG. 9



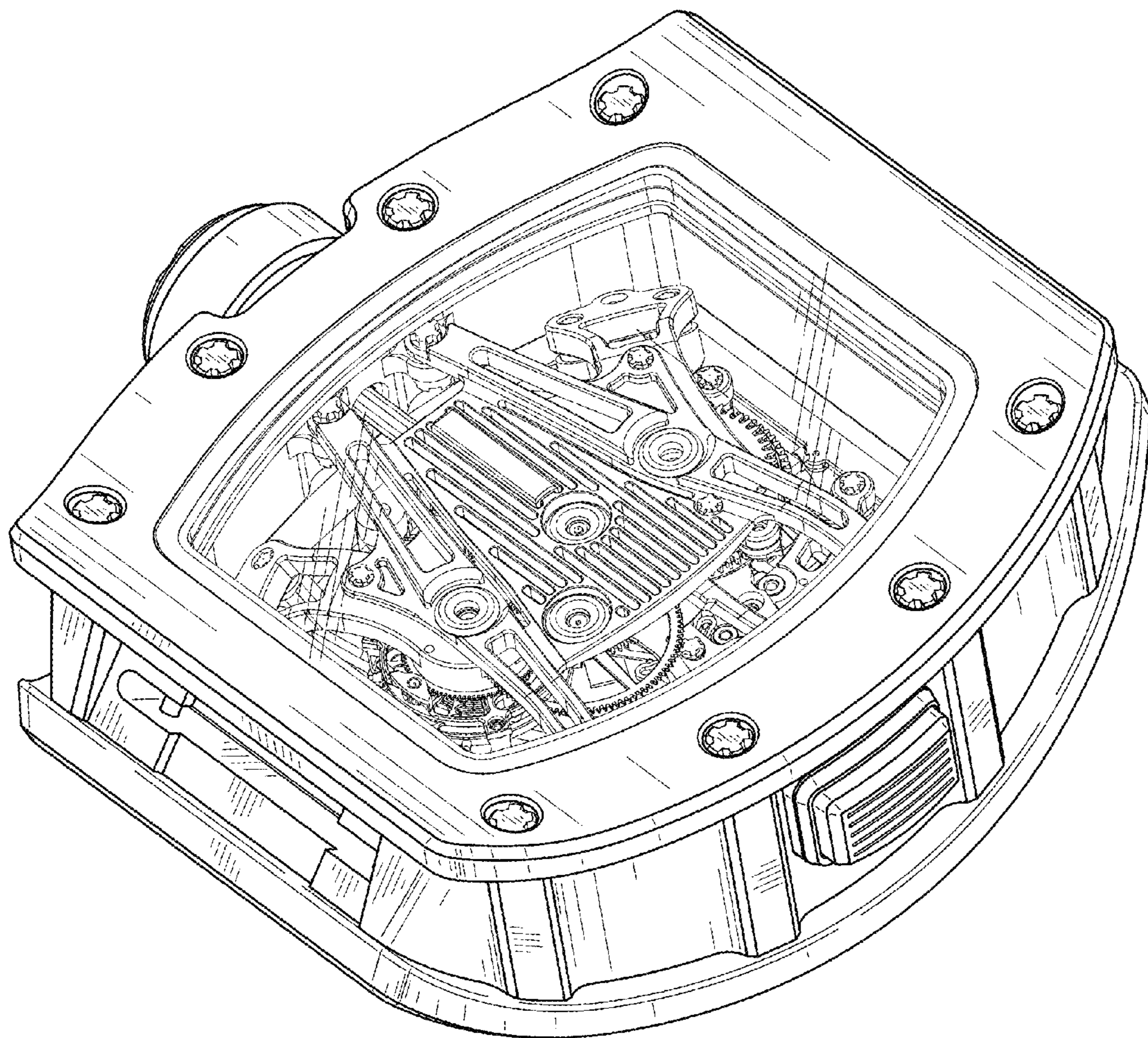


FIG. 10