



US00D732405S

(12) **United States Design Patent**
Mille

(10) **Patent No.:** **US D732,405 S**
(45) **Date of Patent:** **** Jun. 23, 2015**

(54) **WATCH**

(71) Applicant: **Turlen Holding SA**, Soyhieres (CH)

(72) Inventor: **Richard Mille**, Moulins (FR)

(73) Assignee: **TURLEN HOLDING SA**, Soyhieres (CH)

(**) Term: **14 Years**

(21) Appl. No.: **29/468,280**

(22) Filed: **Sep. 27, 2013**

(30) **Foreign Application Priority Data**

Apr. 11, 2013 (WO) DM/080 596

(51) **LOC (10) Cl.** **10-02**

(52) **U.S. Cl.**
USPC **D10/39; D10/125**

(58) **Field of Classification Search**
USPC D10/30-39, 1-29, 122-132
CPC G04B 15/00; G04B 17/06; G04B 17/285;
G04B 37/00; G04B 37/0008; G04B 37/225;
G04B 45/00; G04B 45/0038; G04B 45/0069;
G04B 45/0076; G04B 45/02

See application file for complete search history.

(56) **References Cited**

U.S. PATENT DOCUMENTS

D266,908	S	*	11/1982	Schwab et al.	D10/39
D267,931	S	*	2/1983	Schwab et al.	D10/39
4,376,996	A	*	3/1983	Wuthrich	368/220
4,382,690	A	*	5/1983	Erard	368/77
D279,552	S	*	7/1985	Maglioli	D10/39
4,534,660	A	*	8/1985	Laesser	368/220
D302,131	S	*	7/1989	Woomer	D10/39

4,926,401	A	*	5/1990	Vuilleumier et al.	368/88
D456,274	S	*	4/2002	Mille	D10/30
D468,648	S	*	1/2003	Starck	D10/38
D530,229	S	*	10/2006	Wunderman	D10/32
D545,695	S	*	7/2007	Laucella	D10/31
D570,710	S	*	6/2008	Wong	D10/30
D640,572	S	*	6/2011	Calce	D10/32
D650,708	S	*	12/2011	Laucella	D10/39
D658,514	S	*	5/2012	Mille	D10/39
D658,515	S	*	5/2012	Mille	D10/39
D658,516	S	*	5/2012	Mille	D10/39
D660,184	S	*	5/2012	Calce	D10/32
D661,602	S	*	6/2012	Calce	D10/32
D664,047	S	*	7/2012	Mille	D10/39
D673,868	S	*	1/2013	Mille	D10/39
D692,323	S	*	10/2013	Mille	D10/39
2008/0013409	A1	*	1/2008	Bland et al.	368/223

* cited by examiner

Primary Examiner — Martie K Holtje

(74) *Attorney, Agent, or Firm* — Donald J. Ranft; Kristen A. Mogavero; Collen IP

(57) **CLAIM**

The ornamental design for a watch, as shown.

DESCRIPTION

FIG. 1 is a front right perspective view of a watch showing my new design;

FIG. 2 is a front left perspective view thereof;

FIG. 3 is a front view thereof;

FIG. 4 is a rear view thereof;

FIG. 5 is a left side view thereof;

FIG. 6 is a right side view thereof;

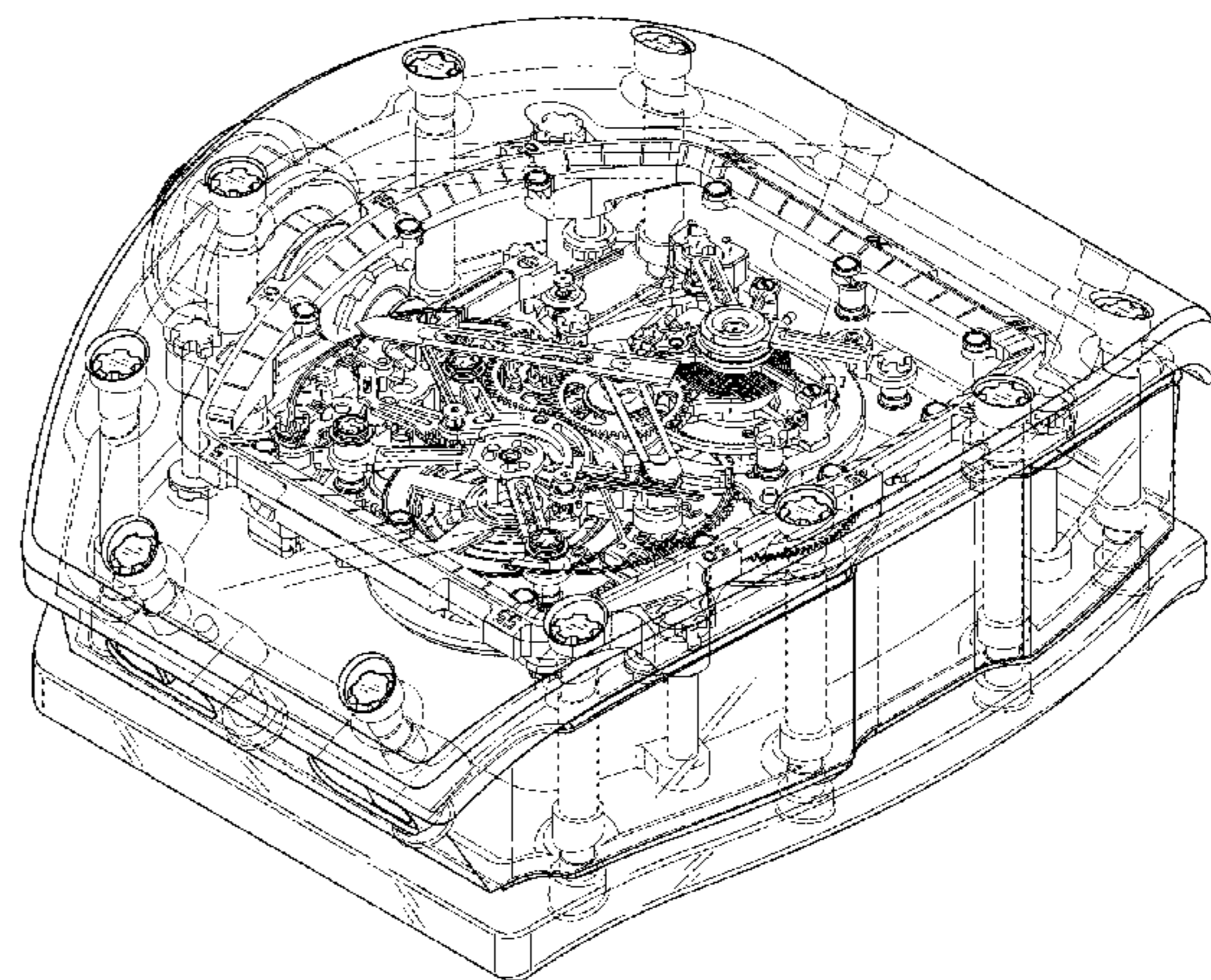
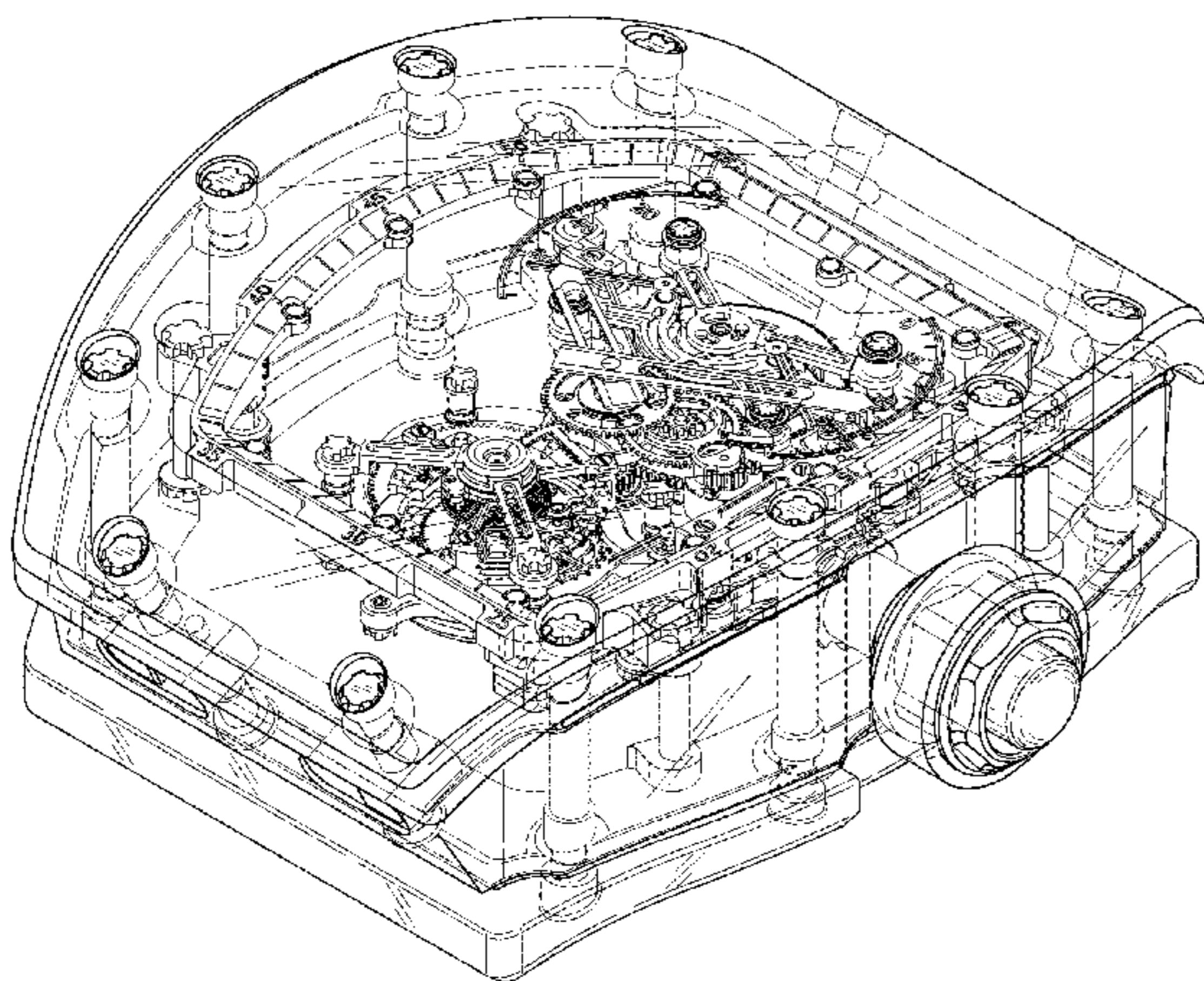
FIG. 7 is a top view thereof;

FIG. 8 is a bottom view thereof;

FIG. 9 is a rear right perspective view of thereof; and,

FIG. 10 is a rear left perspective view thereof.

1 Claim, 10 Drawing Sheets



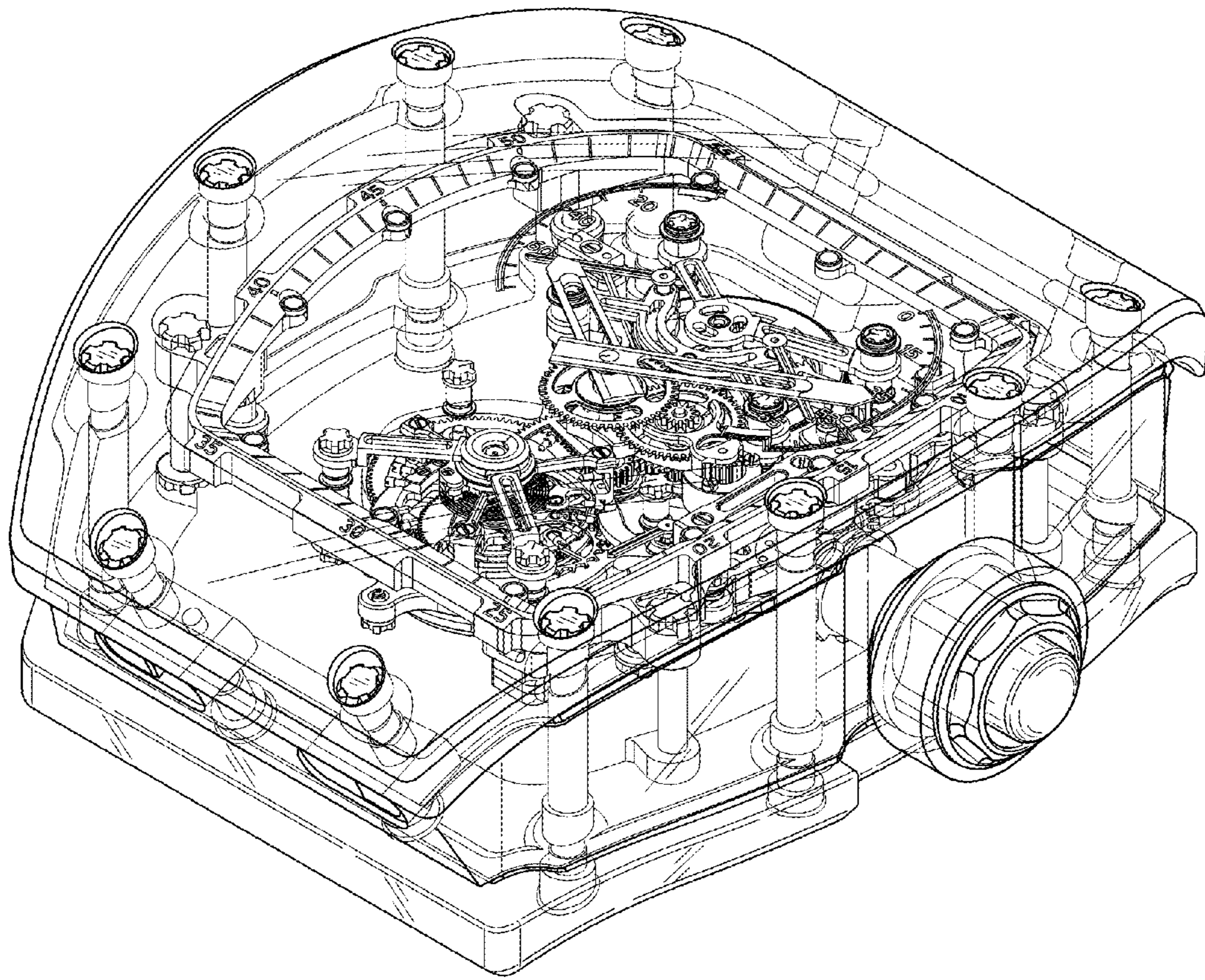


FIG. 1

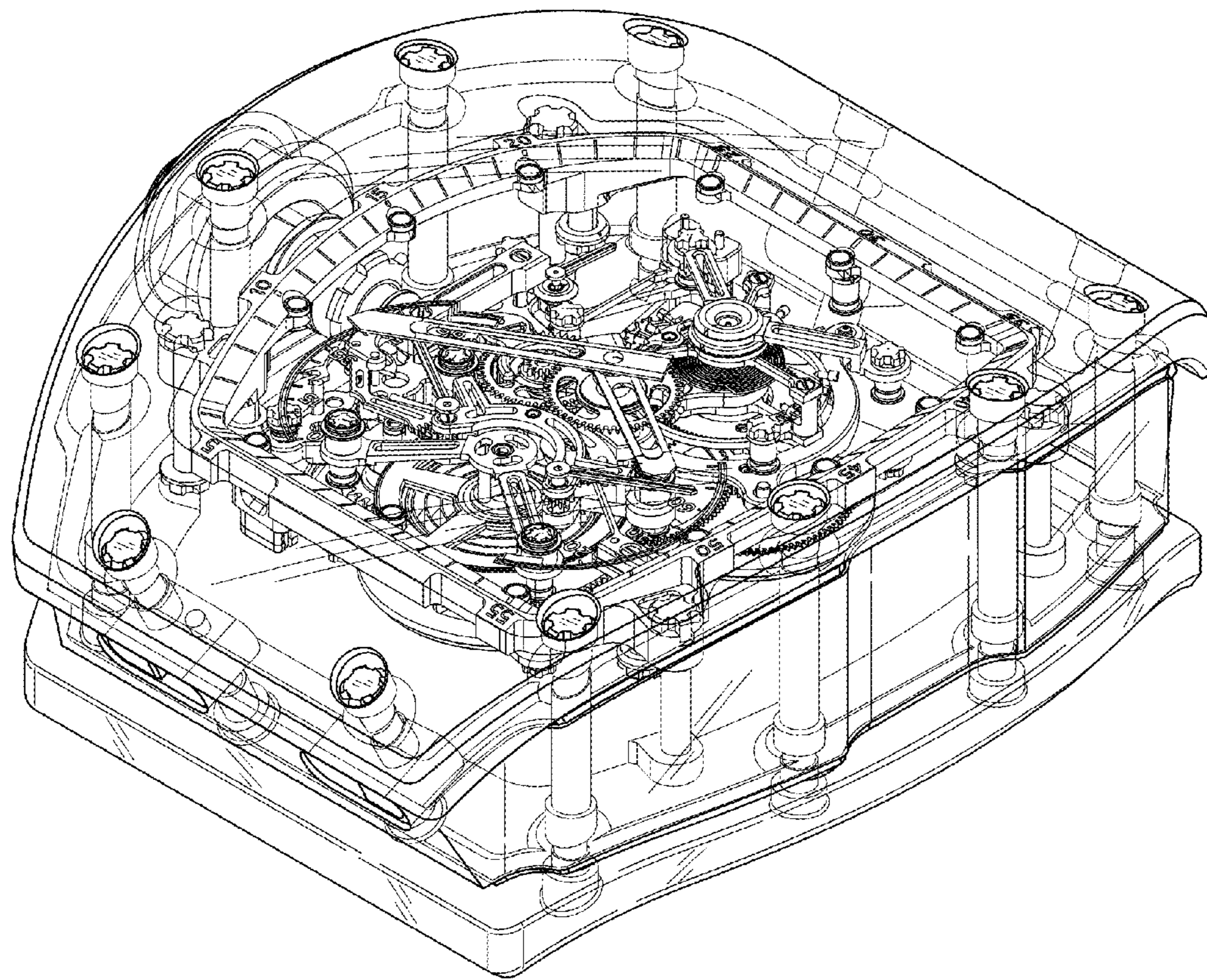


FIG. 2



FIG. 3

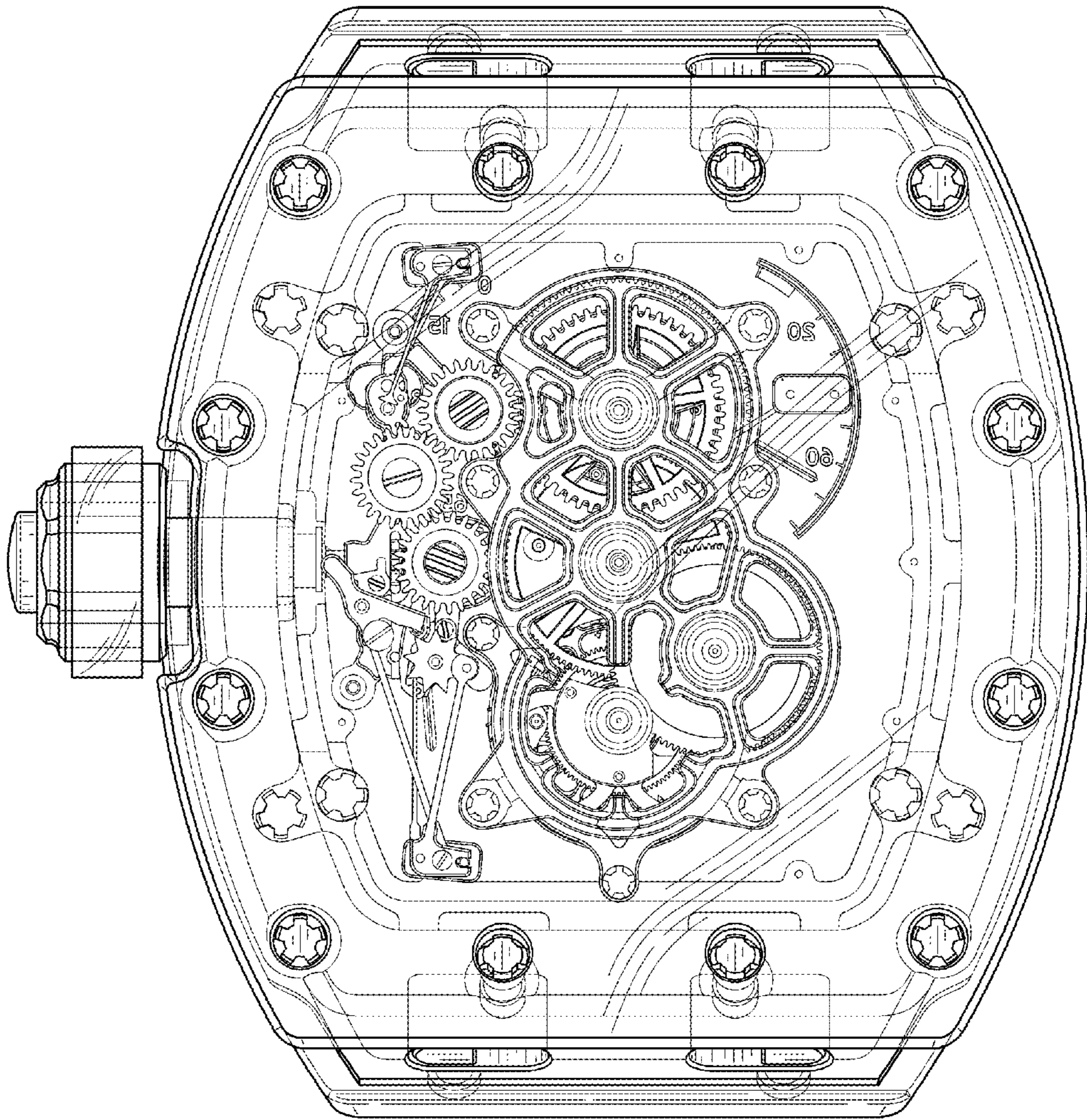


FIG. 4

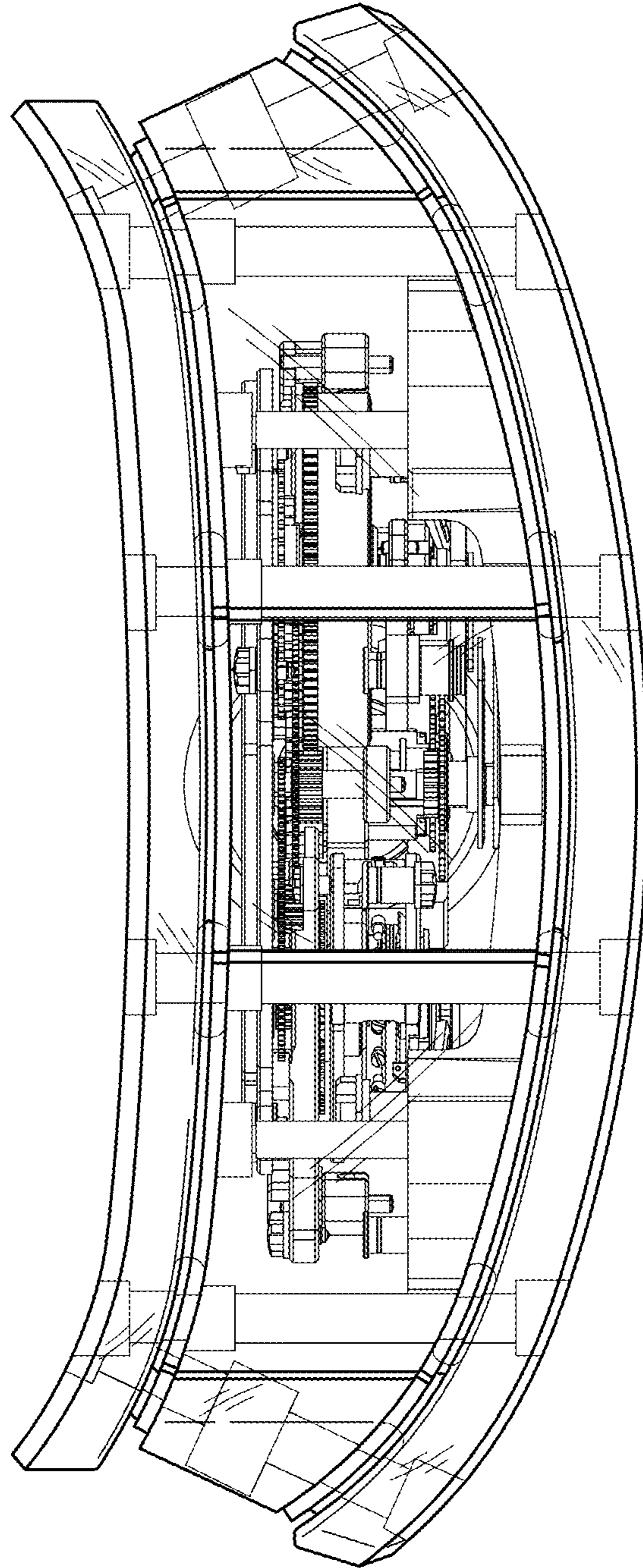


FIG. 5

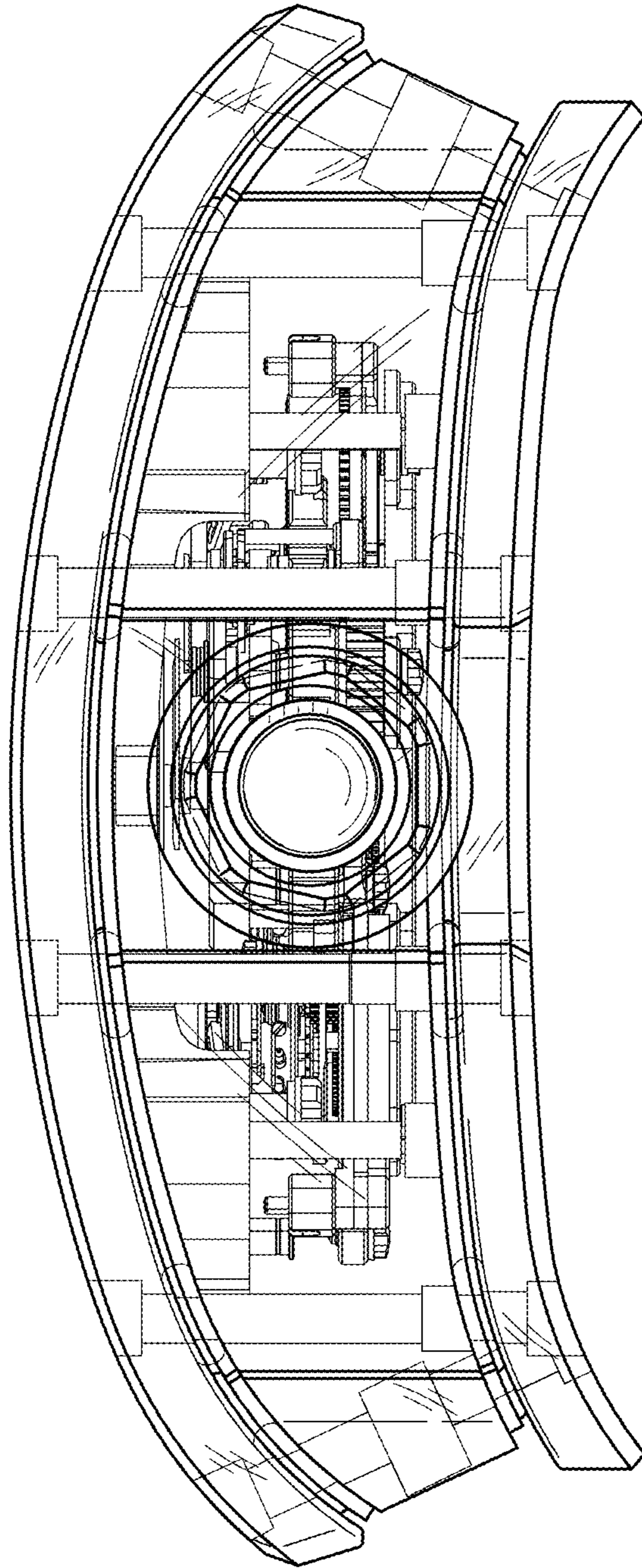


FIG. 6

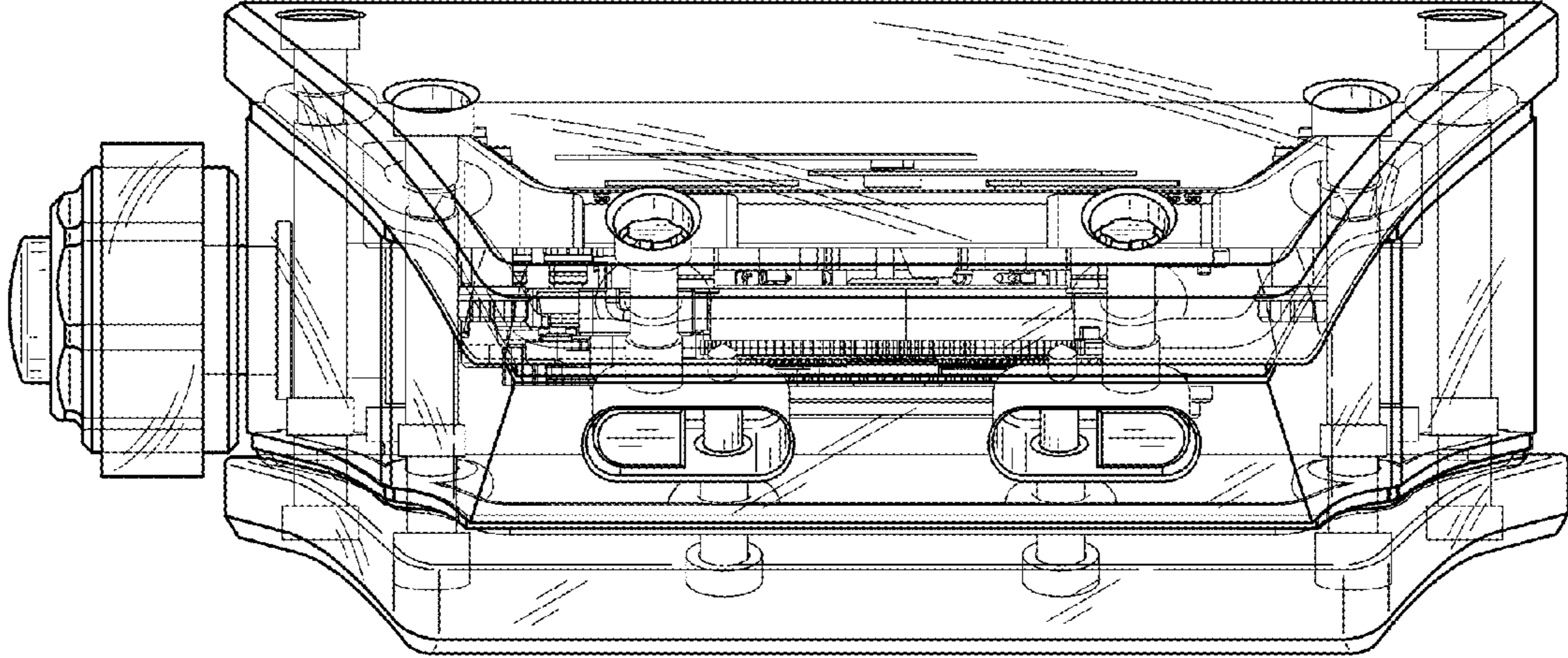


FIG. 7

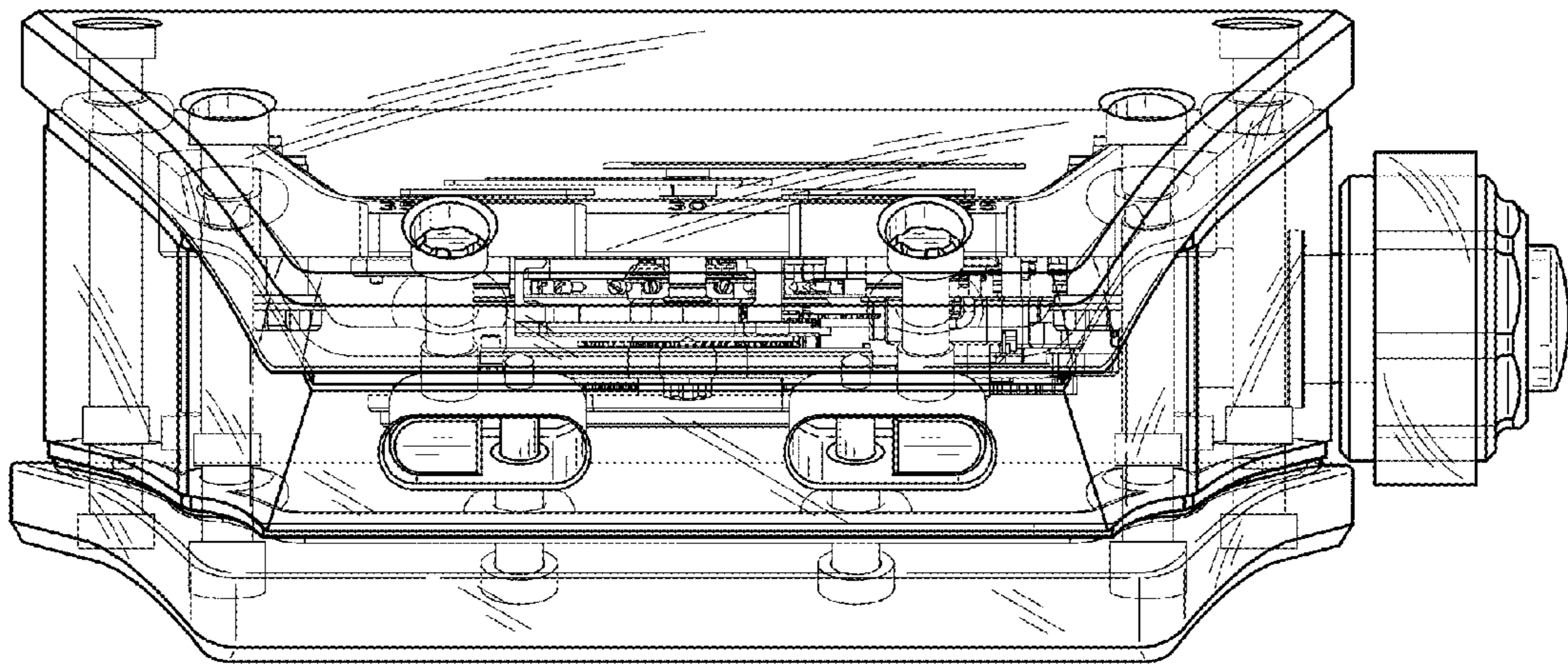


FIG. 8

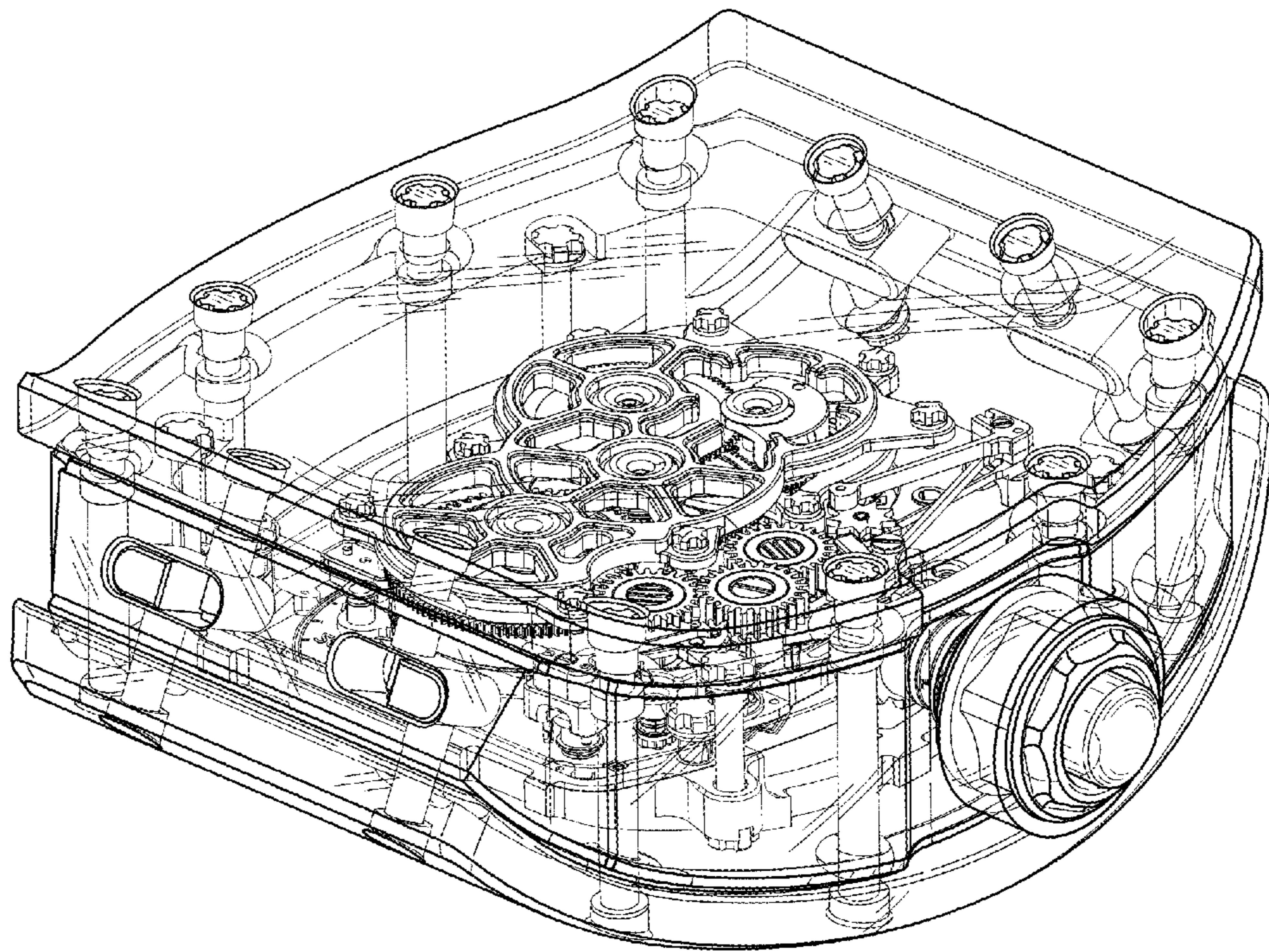


FIG. 9

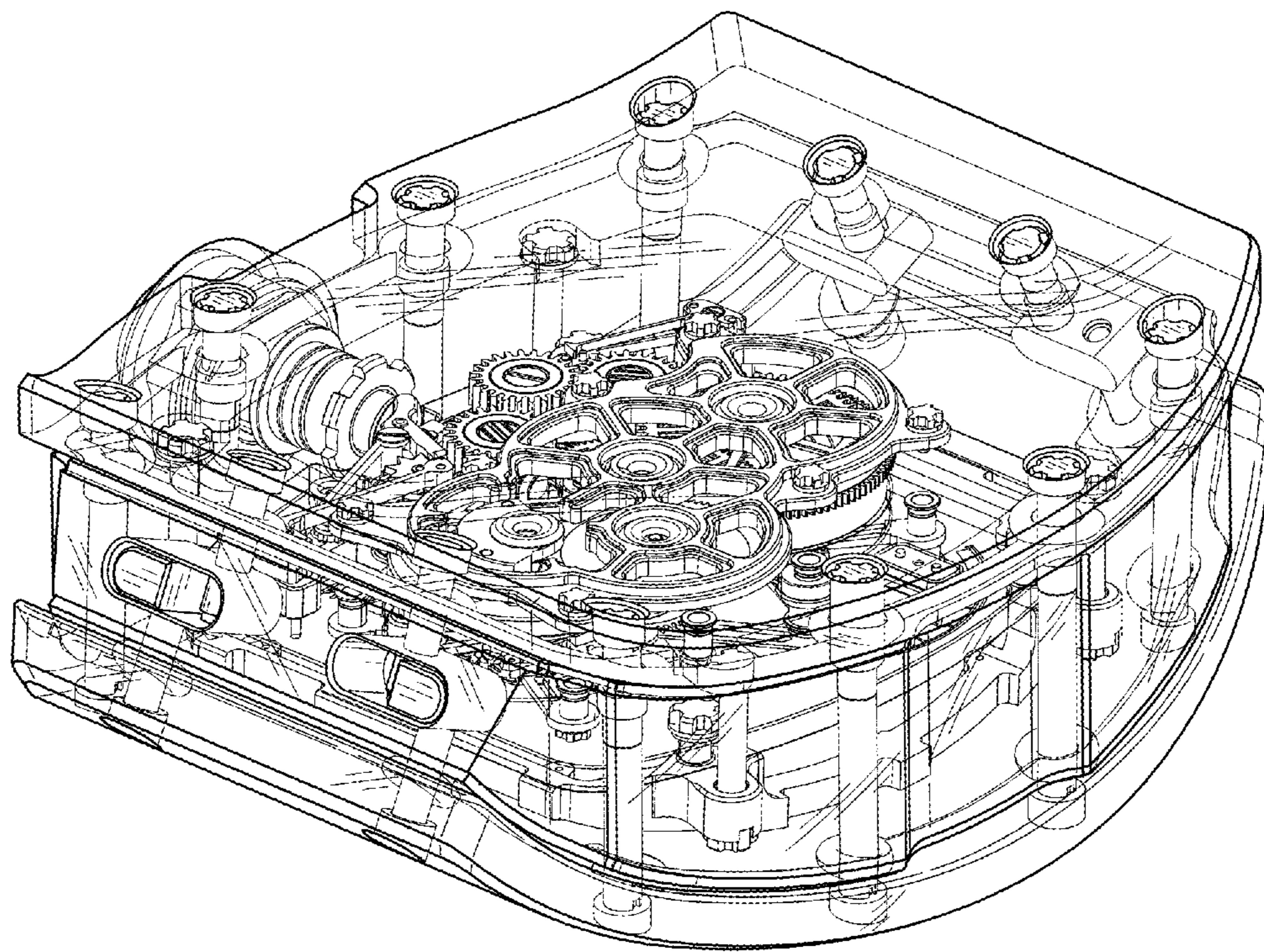


FIG. 10