

US00D732404S

(12) **United States Design Patent**
Bond-Awls

(10) **Patent No.:** **US D732,404 S**
(45) **Date of Patent:** **** Jun. 23, 2015**

(54) **WRISTWATCH**

FOREIGN PATENT DOCUMENTS

(71) Applicant: **Darnell Michael Bond-Awls**, Columbus, OH (US)

DE 1115192 B 10/1961
DE 3814710 A1 * 11/1989 A44C 5/00

(72) Inventor: **Darnell Michael Bond-Awls**, Columbus, OH (US)

OTHER PUBLICATIONS

Printout of Podvaal Revolve Watch from Designboom webpage (<http://www.designboom.com/design/podvaal-revolve-watch/>), posting dated Feb. 12, 2011.

(**) Term: **14 Years**

Primary Examiner — Lucy Lieberman

(21) Appl. No.: **29/447,543**

(74) *Attorney, Agent, or Firm* — The Law Office of Patrick F. O'Reilly III, LLC

(22) Filed: **Mar. 4, 2013**

(51) **LOC (10) Cl.** **10-02**

(57) **CLAIM**

The ornamental design for a wristwatch, as shown and described.

(52) **U.S. Cl.**

USPC **D10/32**

DESCRIPTION

(58) **Field of Classification Search**

USPC D10/30-39; 368/276, 281, 282, 285, 368/220, 239, 223; D11/3, 4
CPC G04B 19/16; G04B 19/166; G04B 19/00; G04B 19/207; G04B 19/21; G04G 9/00; G04G 9/02; G04G 9/0035

See application file for complete search history.

FIG. 1 is a front-left perspective view of a first embodiment of a wristwatch showing my new design; FIG. 2 is a left-rear perspective view thereof; FIG. 3 is a front view thereof; FIG. 4 is a rear view thereof; FIG. 5 is a top plan view thereof; FIG. 6 is a bottom plan view thereof; FIG. 7 is a left side elevational view thereof, wherein the wristwatch latch mechanism is illustrated in a closed position, an elevational view of the right side being a mirror image thereof; FIG. 8 is a left side elevational view thereof, wherein the wristwatch latch mechanism is illustrated in a partially open position, an elevational view of the right side being a mirror image thereof; and, FIG. 9 is an enlarged partial front view of a second embodiment thereof, wherein the diamonds covering the surface shown in broken lines and the wristwatch surface underlying the diamonds form no part of the claimed design. The second embodiment is the same in all other respects. The broken line portions of the drawing figures are included to show unclaimed subject matter only and form no part of the claimed design.

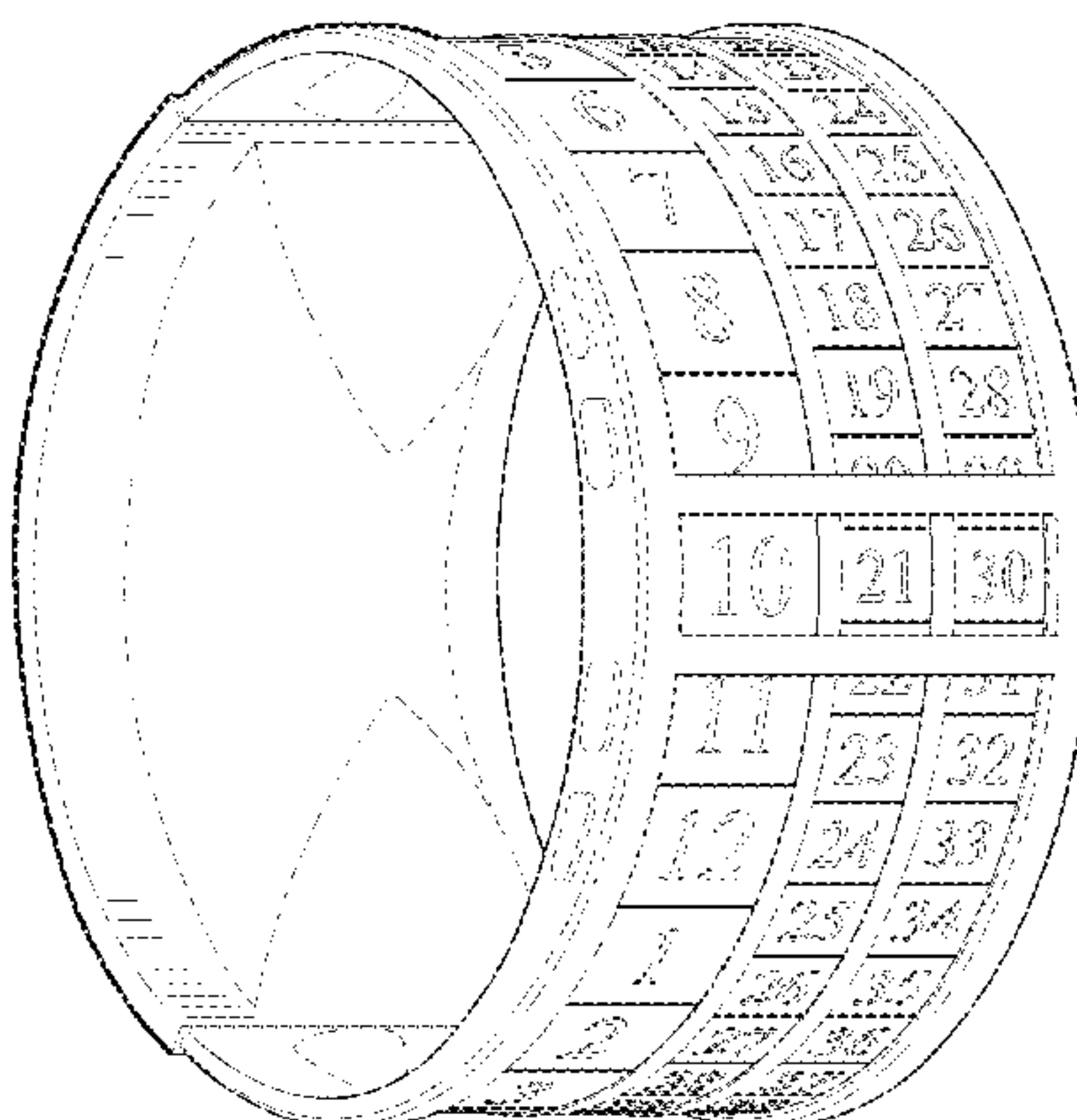
(56) **References Cited**

U.S. PATENT DOCUMENTS

1,938,206	A *	12/1933	Bigney	63/7
2,952,967	A *	9/1960	Nussle	368/281
3,798,640	A	3/1974	Dill	
3,910,032	A *	10/1975	Funaki et al.	368/222
4,036,134	A *	7/1977	Funaki	101/483
4,130,987	A	12/1978	Schickedanz	
4,627,739	A	12/1986	Shingo et al.	
5,214,624	A *	5/1993	Siebrasse	368/82
5,305,293	A *	4/1994	Eliachar et al.	368/282
6,249,486	B1 *	6/2001	Chitturi	368/21
6,621,766	B2	9/2003	Brewer et al.	
6,711,101	B2	3/2004	Bornovski	
D533,085	S *	12/2006	Mourgue	D10/32
7,152,989	B2	12/2006	Radley-Smith	
7,408,846	B2	8/2008	Brodmann	
7,441,415	B2	10/2008	Radley-Smith	

(Continued)

1 Claim, 6 Drawing Sheets



(56)

References Cited

U.S. PATENT DOCUMENTS

7,450,107 B2 11/2008 Radley-Smith
7,460,085 B2 * 12/2008 Ishii 345/1.1
7,518,959 B2 * 4/2009 Akaiwa et al. 368/82
D600,570 S * 9/2009 Zinder D10/31
7,639,571 B2 12/2009 Ishii et al.

D626,435 S * 11/2010 Tanaka et al. D10/31
7,841,209 B2 11/2010 Radley-Smith
D633,399 S * 3/2011 Zinder D10/31
D703,069 S * 4/2014 Adams et al. D10/31
2008/0002527 A1 * 1/2008 Ishii et al. 368/239
2008/0130421 A1 * 6/2008 Akaiwa et al. 368/82
2011/0103195 A1 * 5/2011 Wilbur et al. 368/76
2012/0201104 A1 * 8/2012 Amenduni Gresele 368/239

* cited by examiner

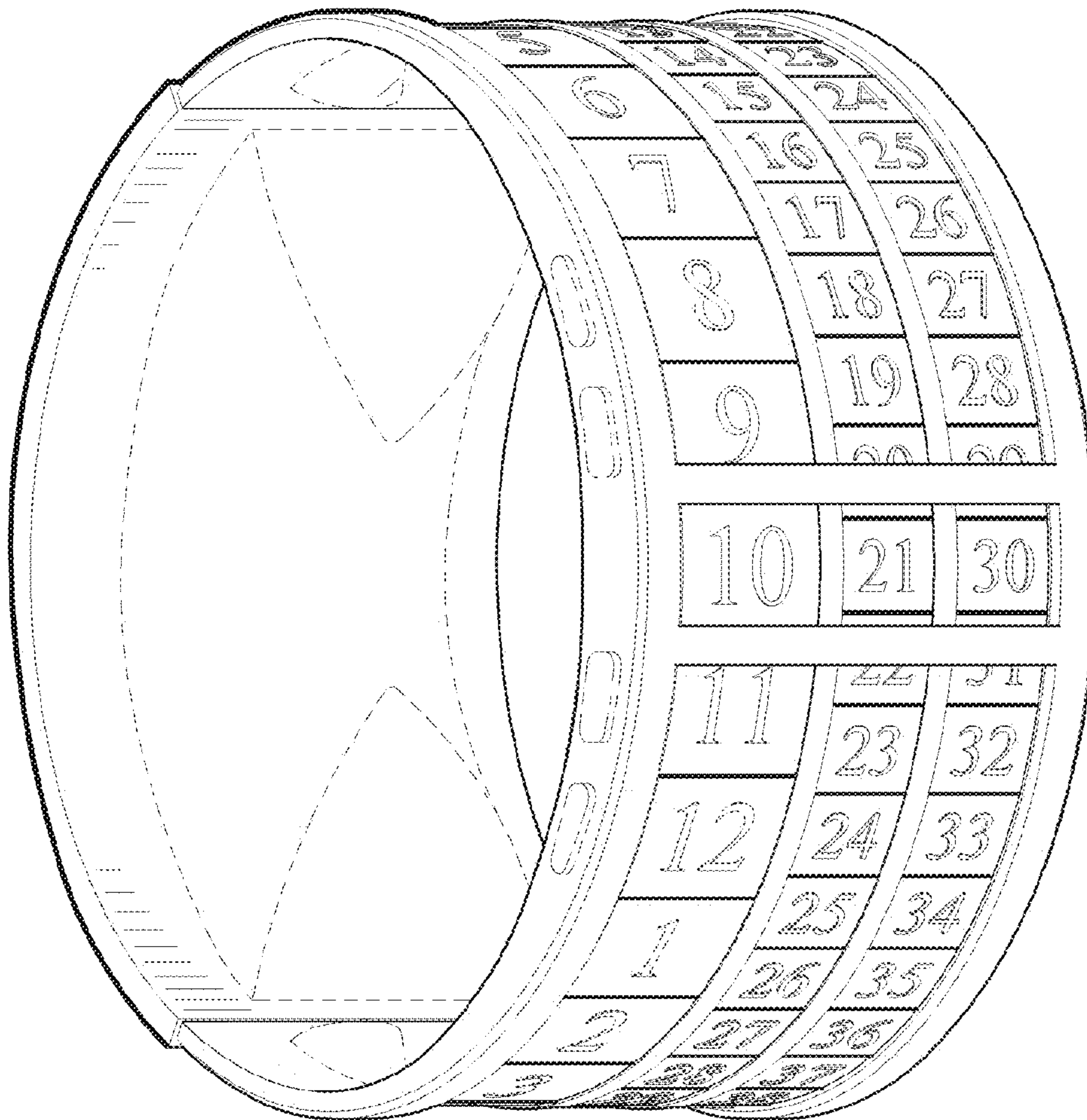


FIG. 1

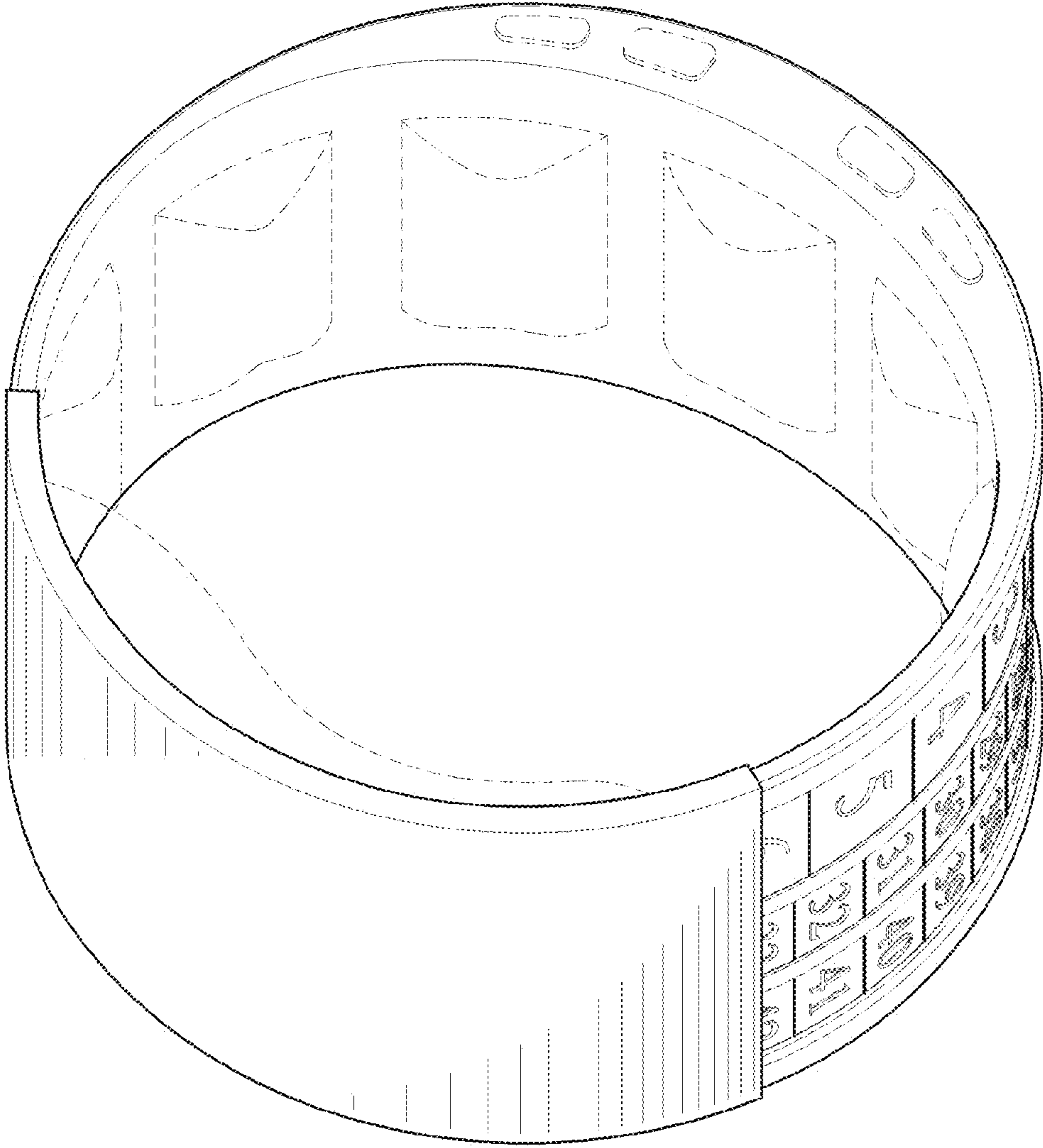


FIG. 2

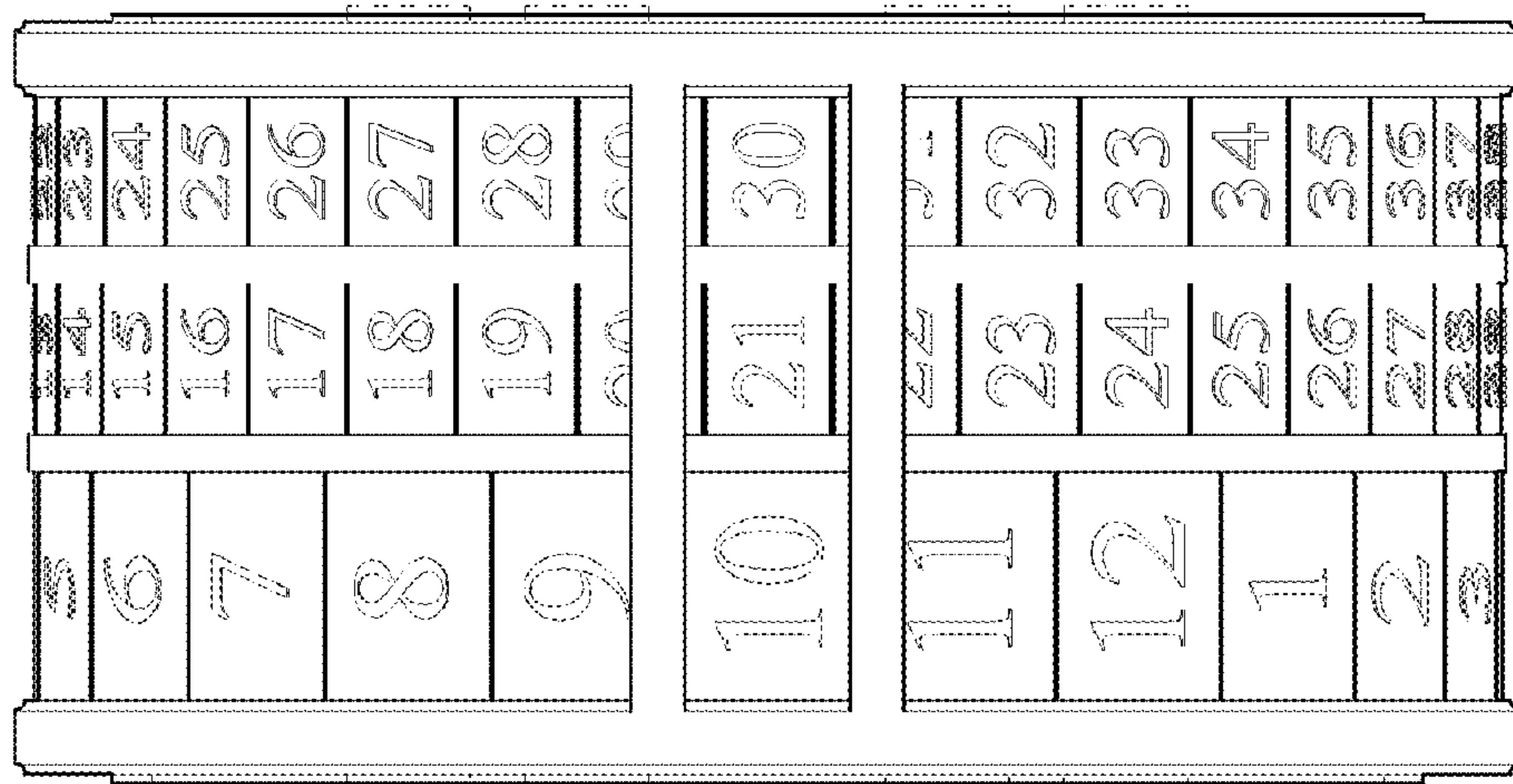


FIG. 3

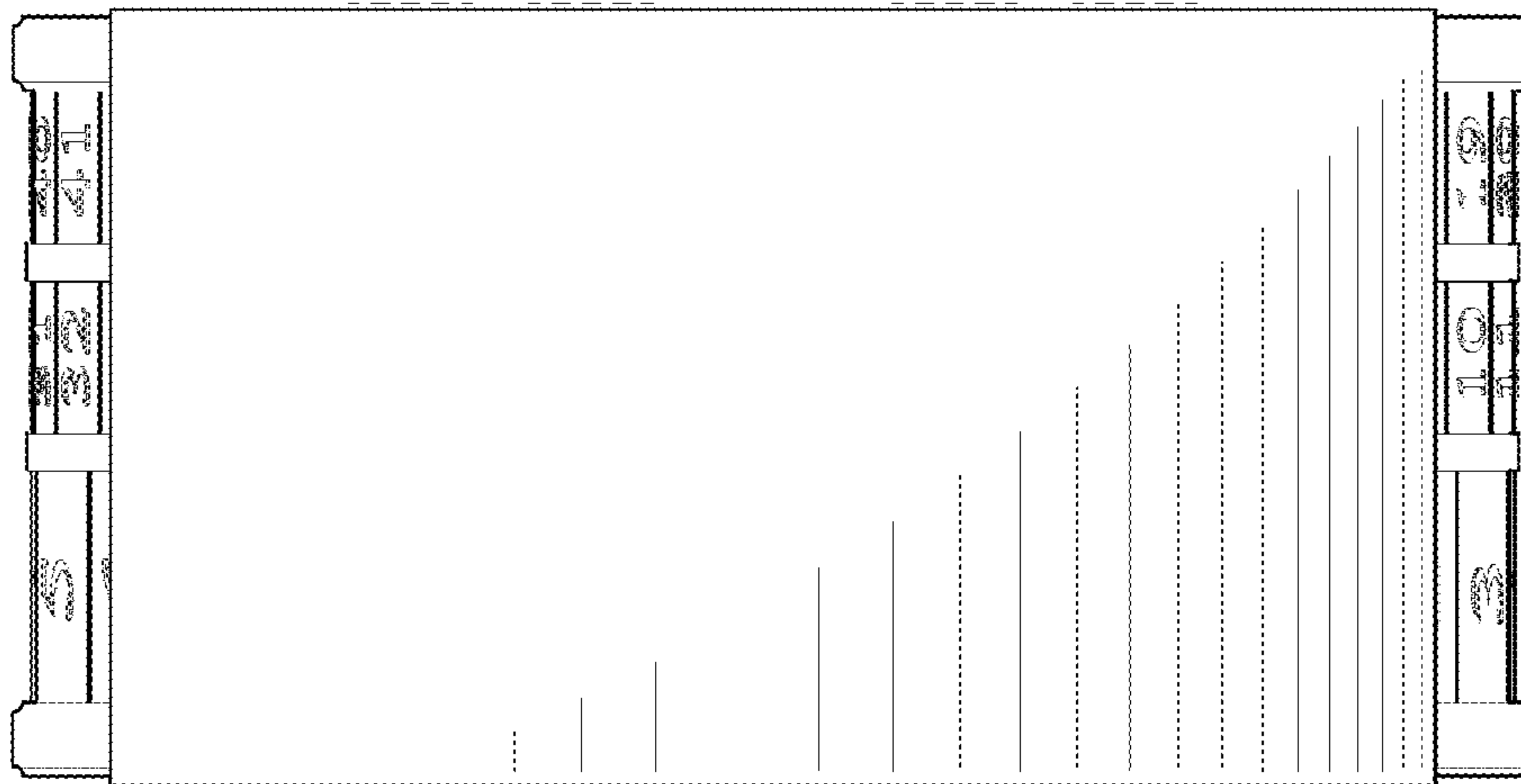


FIG. 4

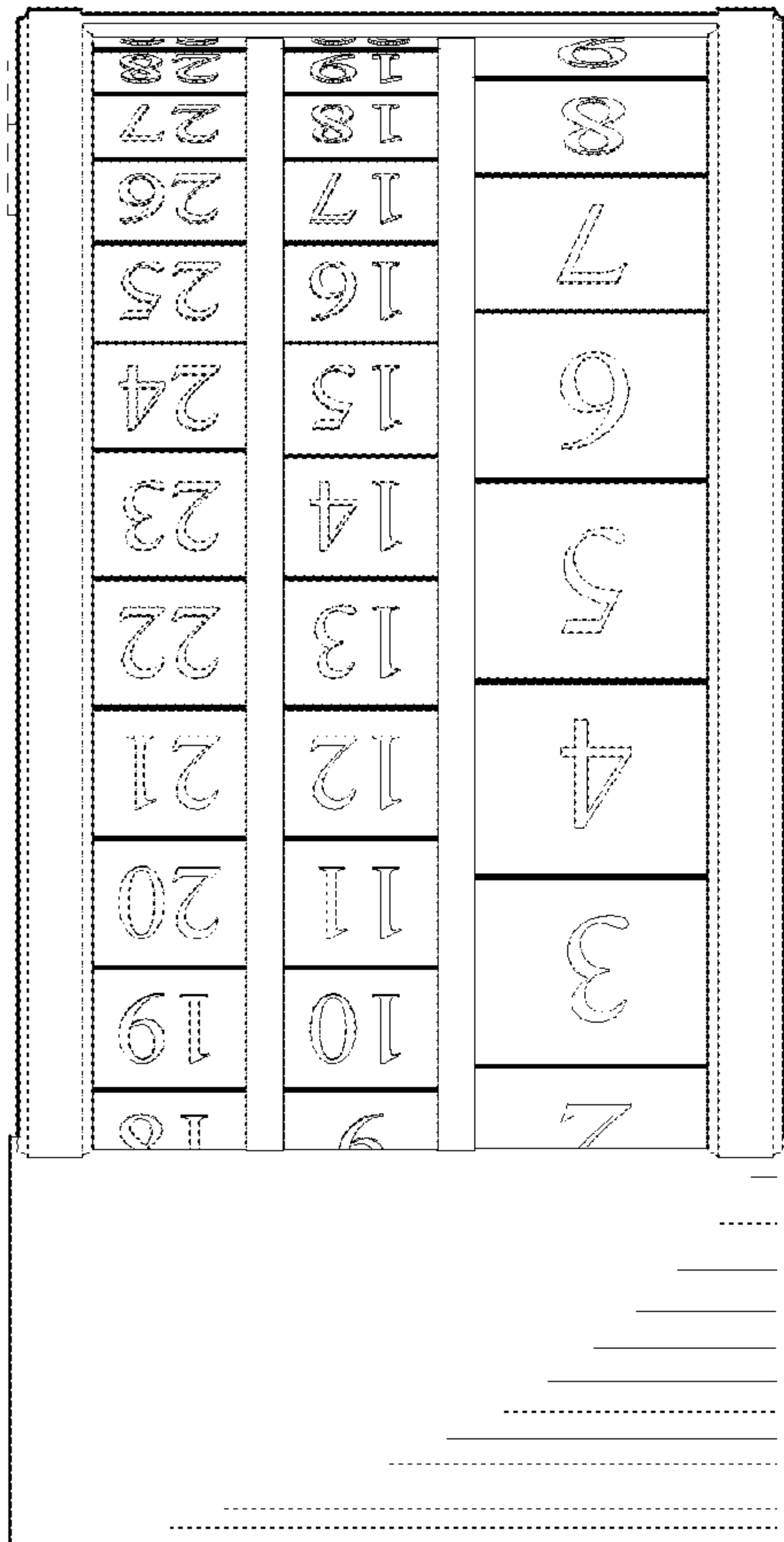


FIG. 5

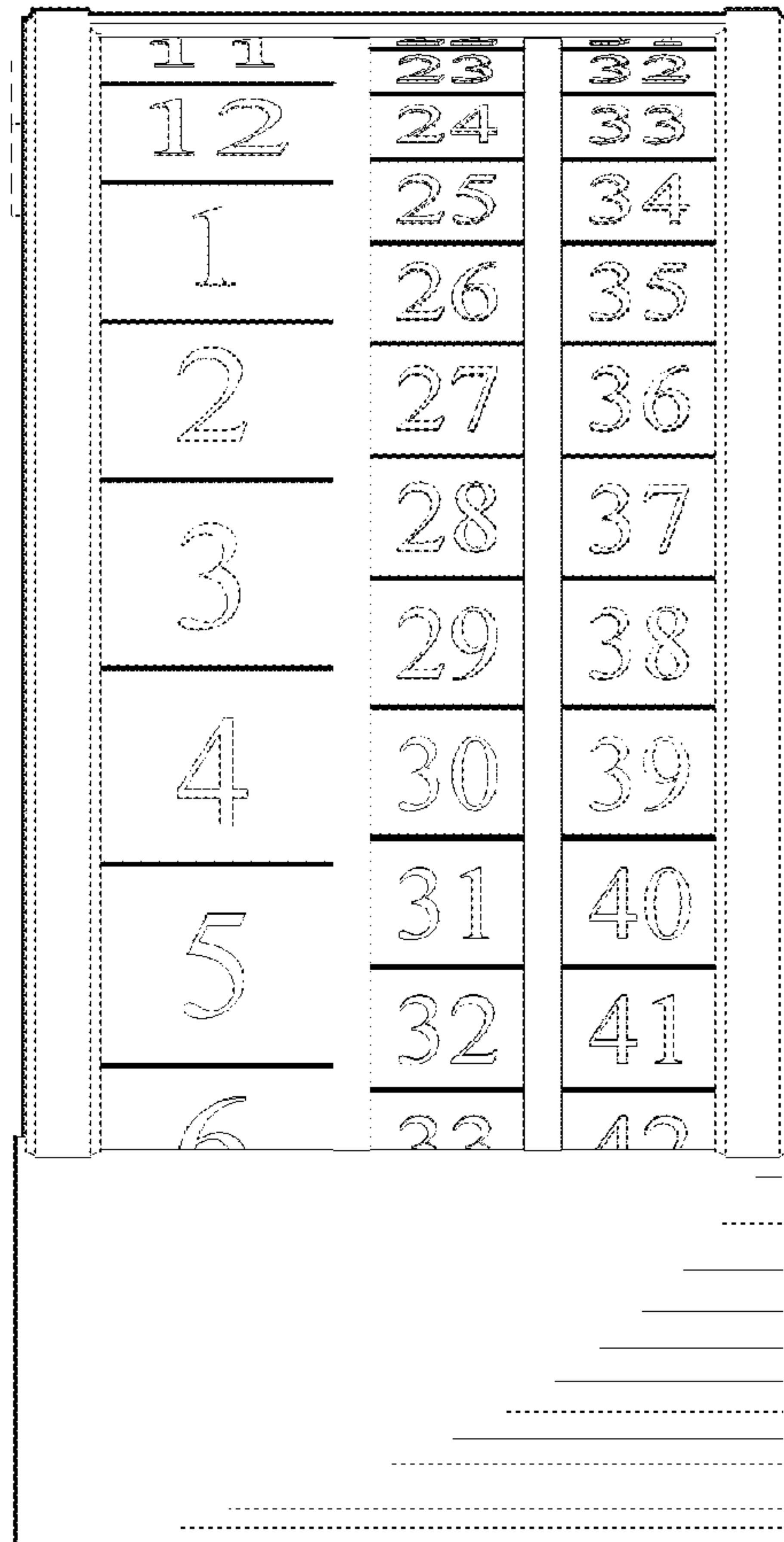


FIG. 6

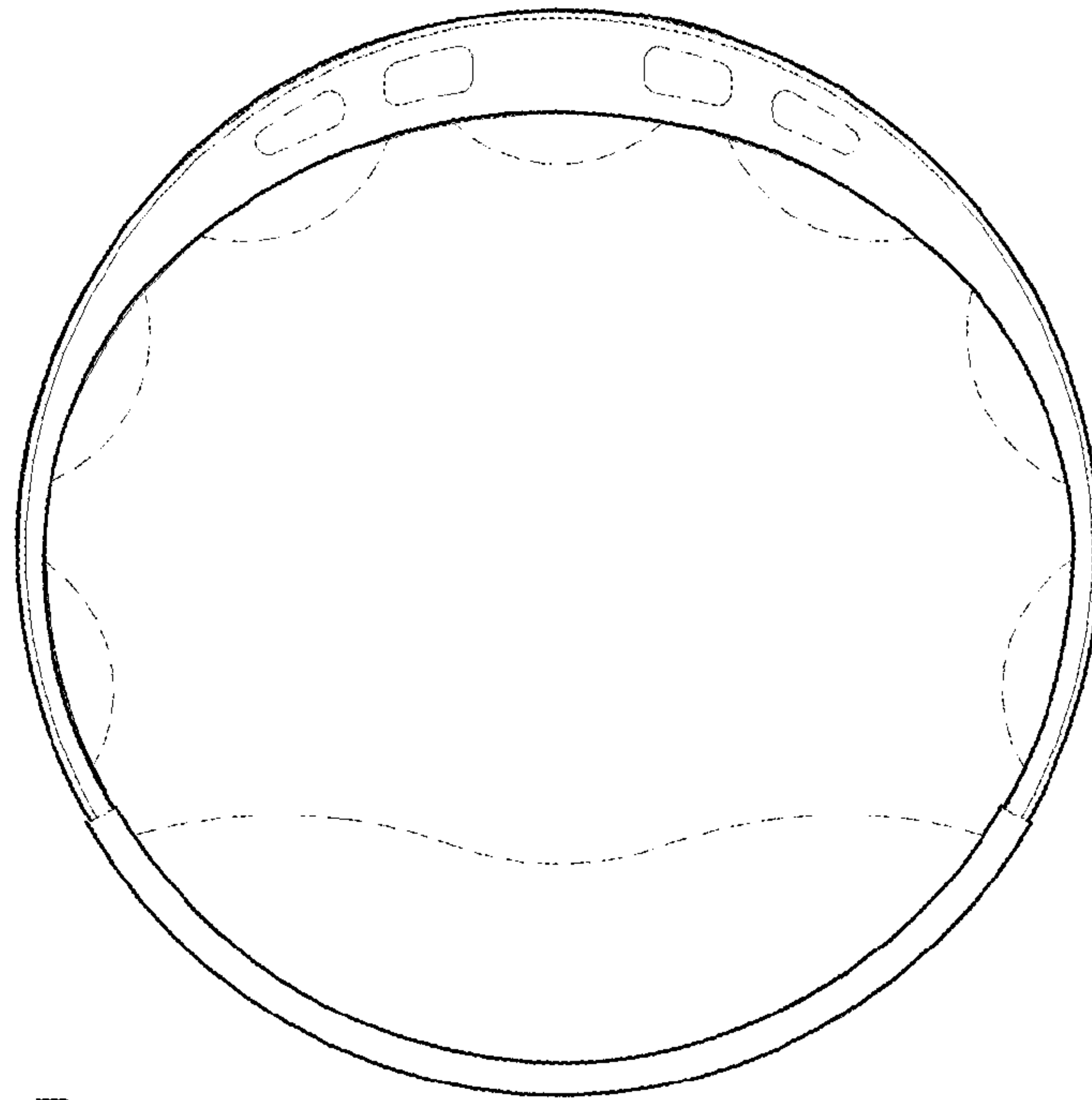


FIG. 7

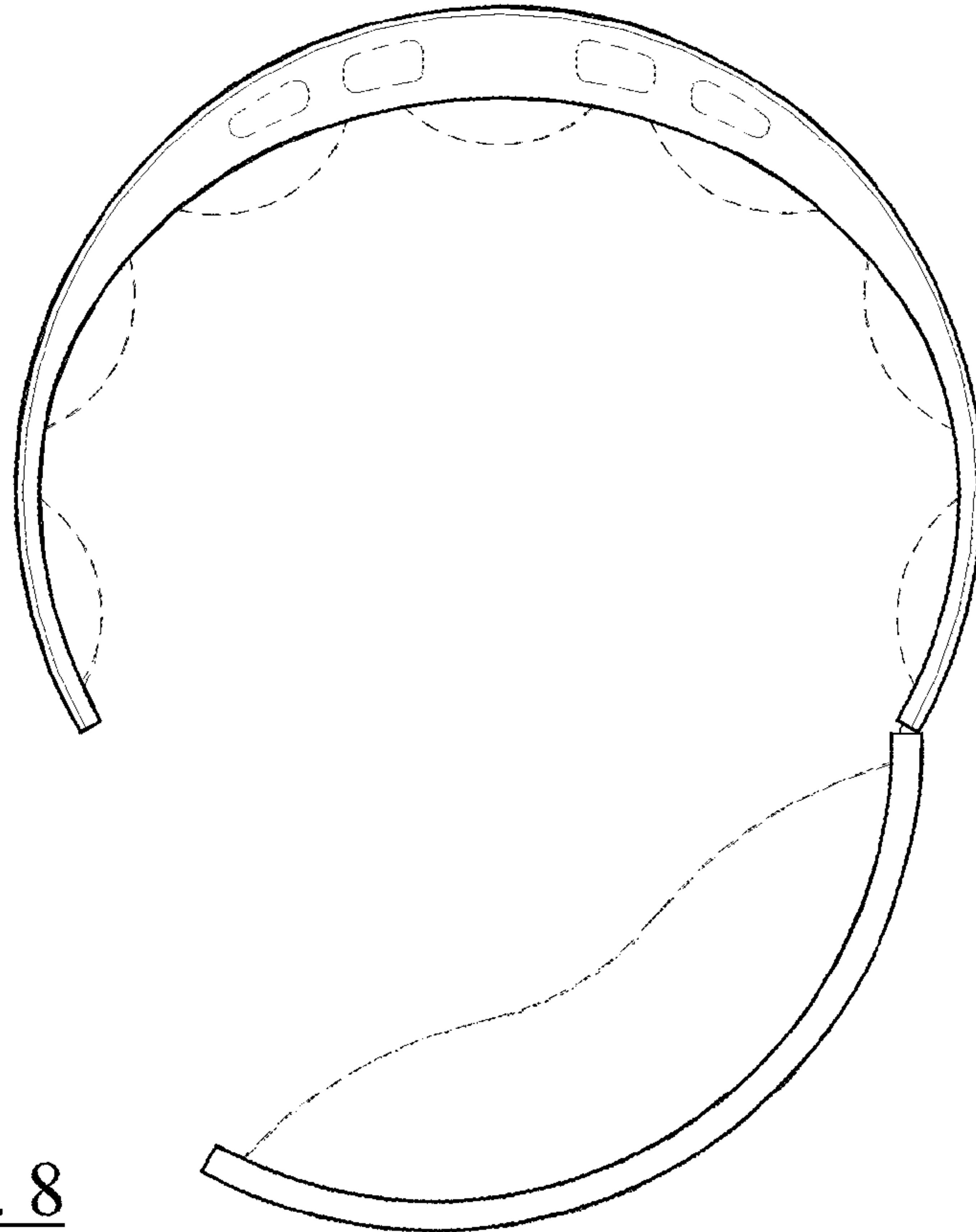


FIG. 8

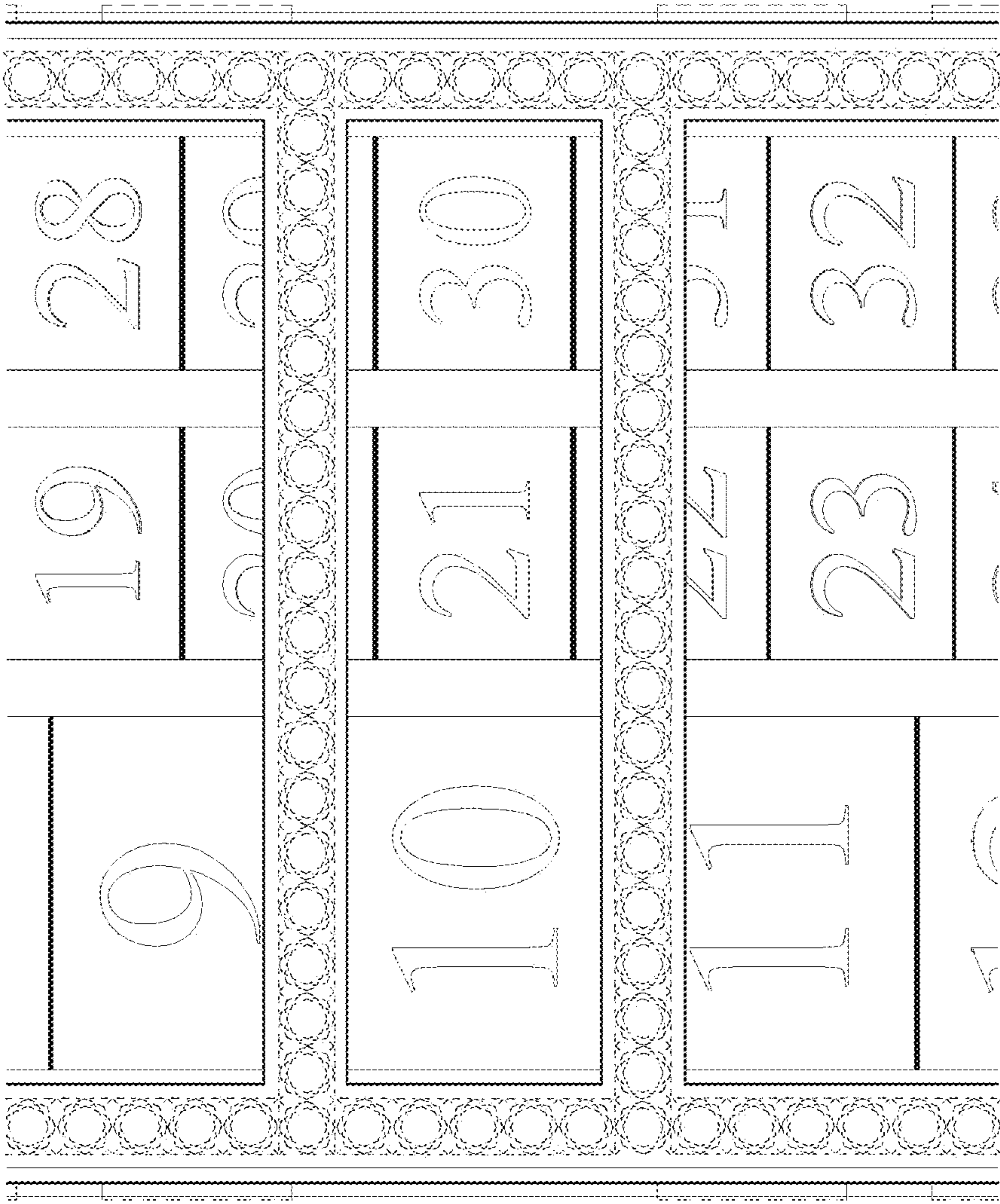


FIG. 9