



US00D732400S

(12) **United States Design Patent**
Hua

(10) **Patent No.:** **US D732,400 S**
(45) **Date of Patent:** **** Jun. 23, 2015**

(54) **BOTTLE**

(71) Applicant: **Jian Hua**, Shenzhen (CN)

(72) Inventor: **Jian Hua**, Shenzhen (CN)

(**) Term: **14 Years**

(21) Appl. No.: **29/446,025**

(22) Filed: **Feb. 20, 2013**

(51) **LOC (10) Cl.** **09-01**

(52) **U.S. Cl.**
USPC **D9/724**

(58) **Field of Classification Search**

USPC D3/202, 203.1; D9/500, 516, 529, 549,
D9/550, 556, 558, 571, 723, 724, 727;
D24/100, 108, 115; D28/4, 7, 9, 73,
D28/76, 85; 206/385; 222/1, 71, 173;
604/295; 606/204.25

See application file for complete search history.

(56) **References Cited**

U.S. PATENT DOCUMENTS

D264,939 S *	6/1982	Stock	D9/724
D264,940 S *	6/1982	Stock	D9/724
D280,492 S *	9/1985	Greaves et al.	D9/453
D563,798 S *	3/2008	Gibson et al.	D9/724
D564,357 S *	3/2008	Kapoor et al.	D9/503
D584,150 S *	1/2009	Gibson et al.	D9/453

2006/0111680 A1 *	5/2006	Spada et al.	604/295
2007/0233021 A1 *	10/2007	Poisson et al.	604/295
2010/0145287 A1 *	6/2010	Grevin	604/295
2011/0009836 A1 *	1/2011	Chebli et al.	604/298

* cited by examiner

Primary Examiner — Derrick Holland

Assistant Examiner — Janice Lim

(74) *Attorney, Agent, or Firm* — Novoclaims Patent Services LLC; Mei Lin Wong

(57) **CLAIM**

The ornamental design for a bottle, as shown and described.

DESCRIPTION

FIG. 1 is a perspective view of a bottle, showing my new design.

FIG. 2 is a front view thereof.

FIG. 3 is a rear view thereof.

FIG. 4 is a right side view thereof.

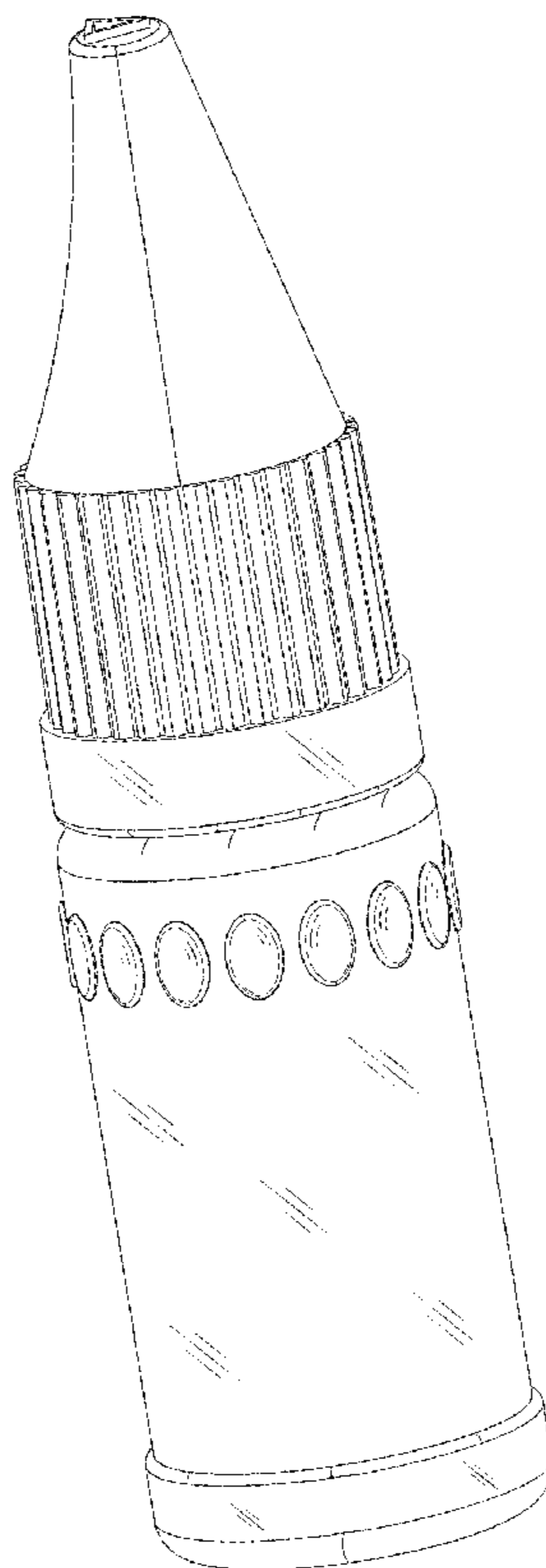
FIG. 5 is a left side view thereof.

FIG. 6 is a top view thereof; and,

FIG. 7 is a bottom view thereof.

The broken line portions of FIG. 7 are included to show unclaimed subject matter only and form no part of the claimed design.

1 Claim, 7 Drawing Sheets



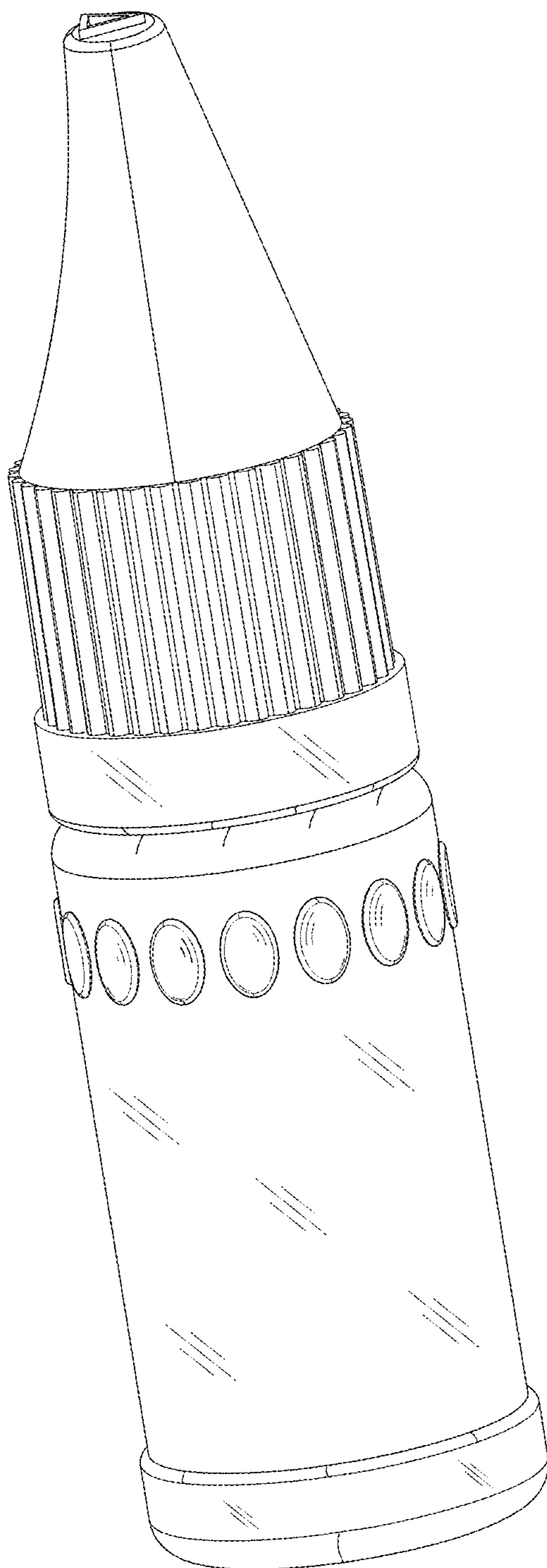


FIG.1

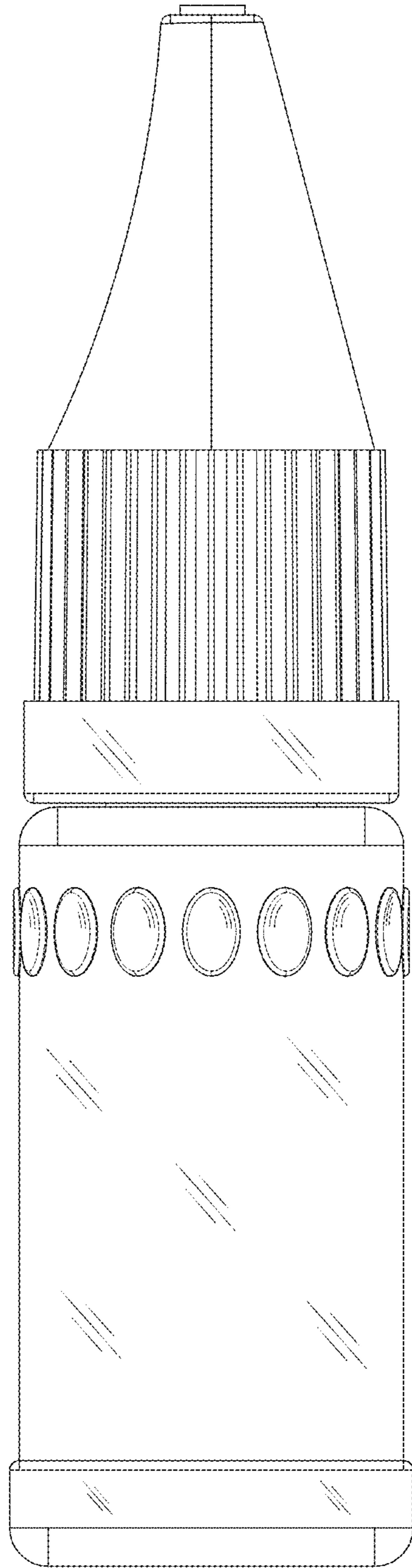


FIG.2

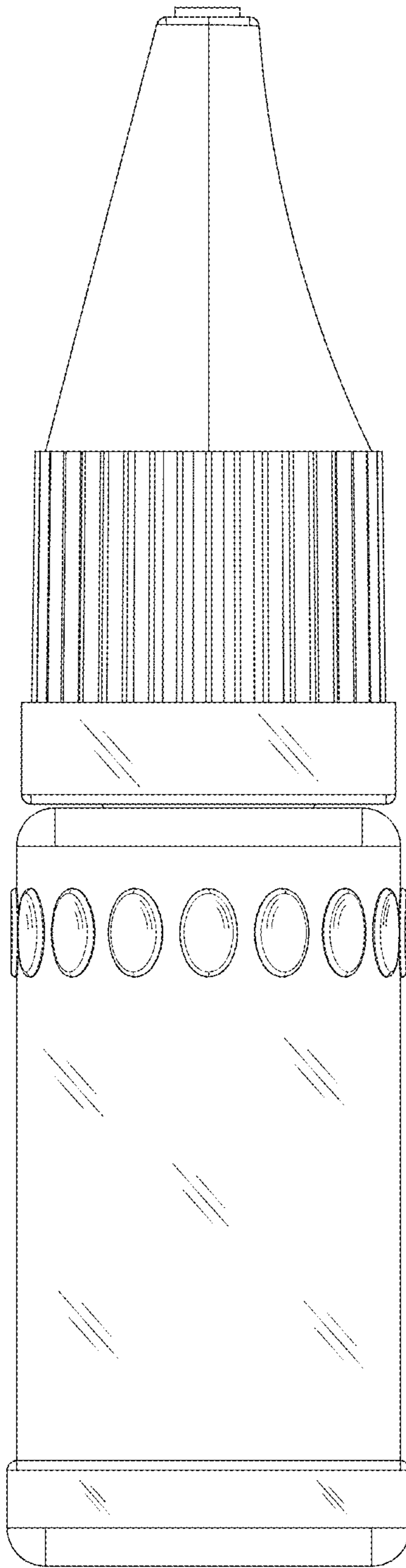


FIG.3

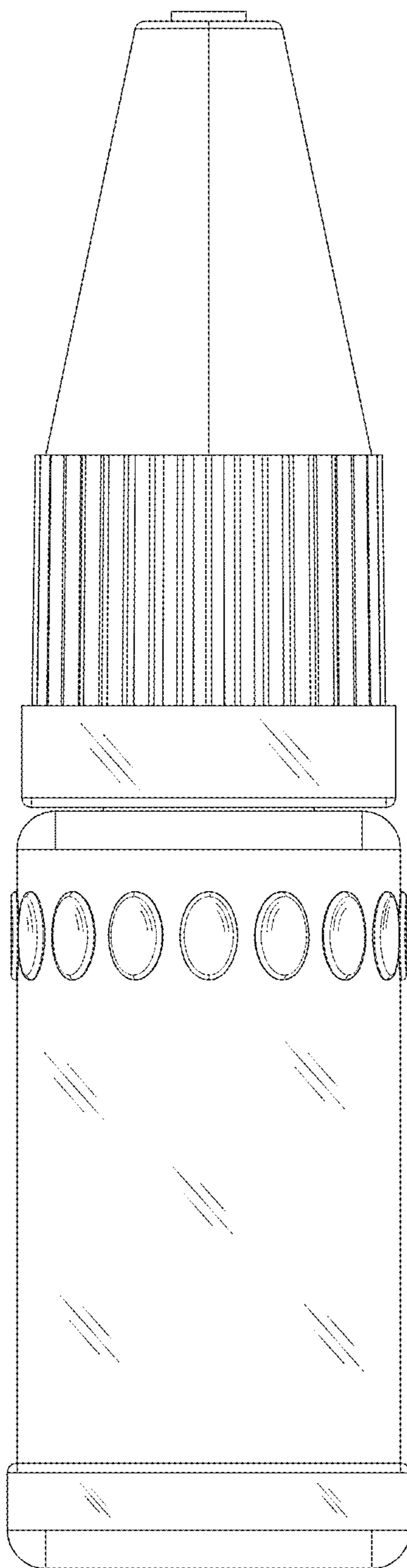


FIG.4

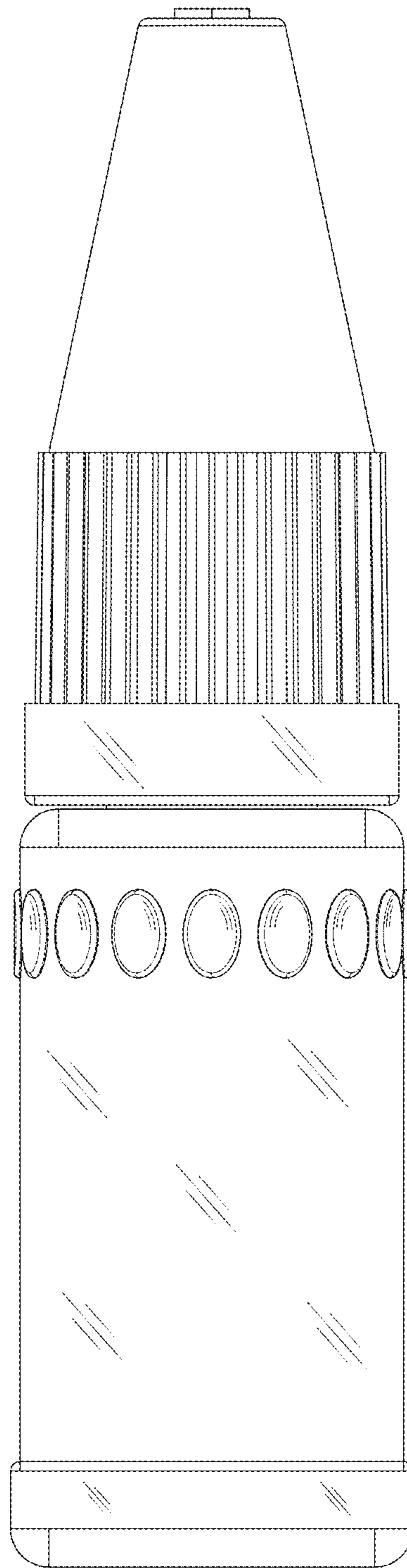


FIG.5

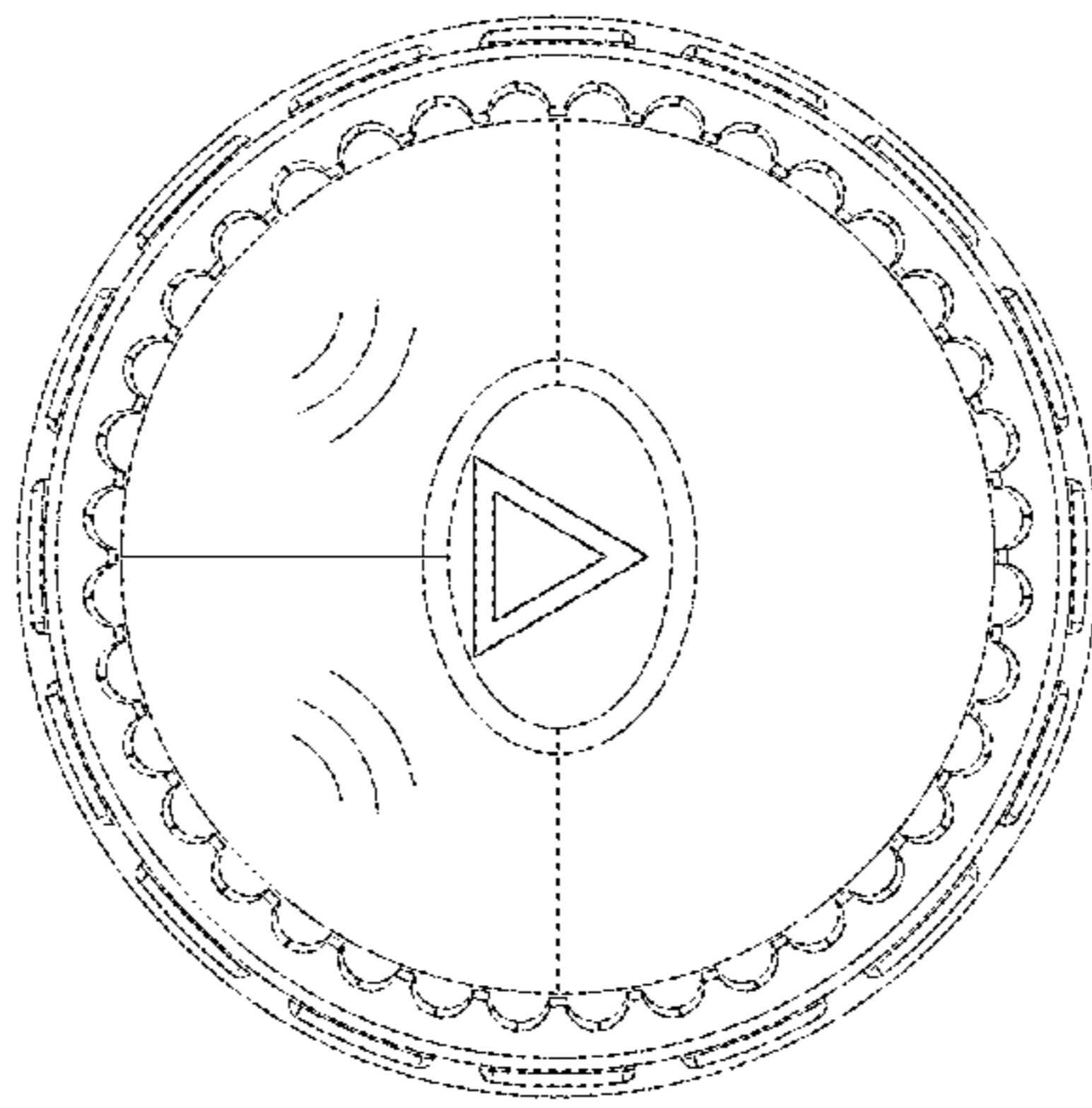


FIG.6

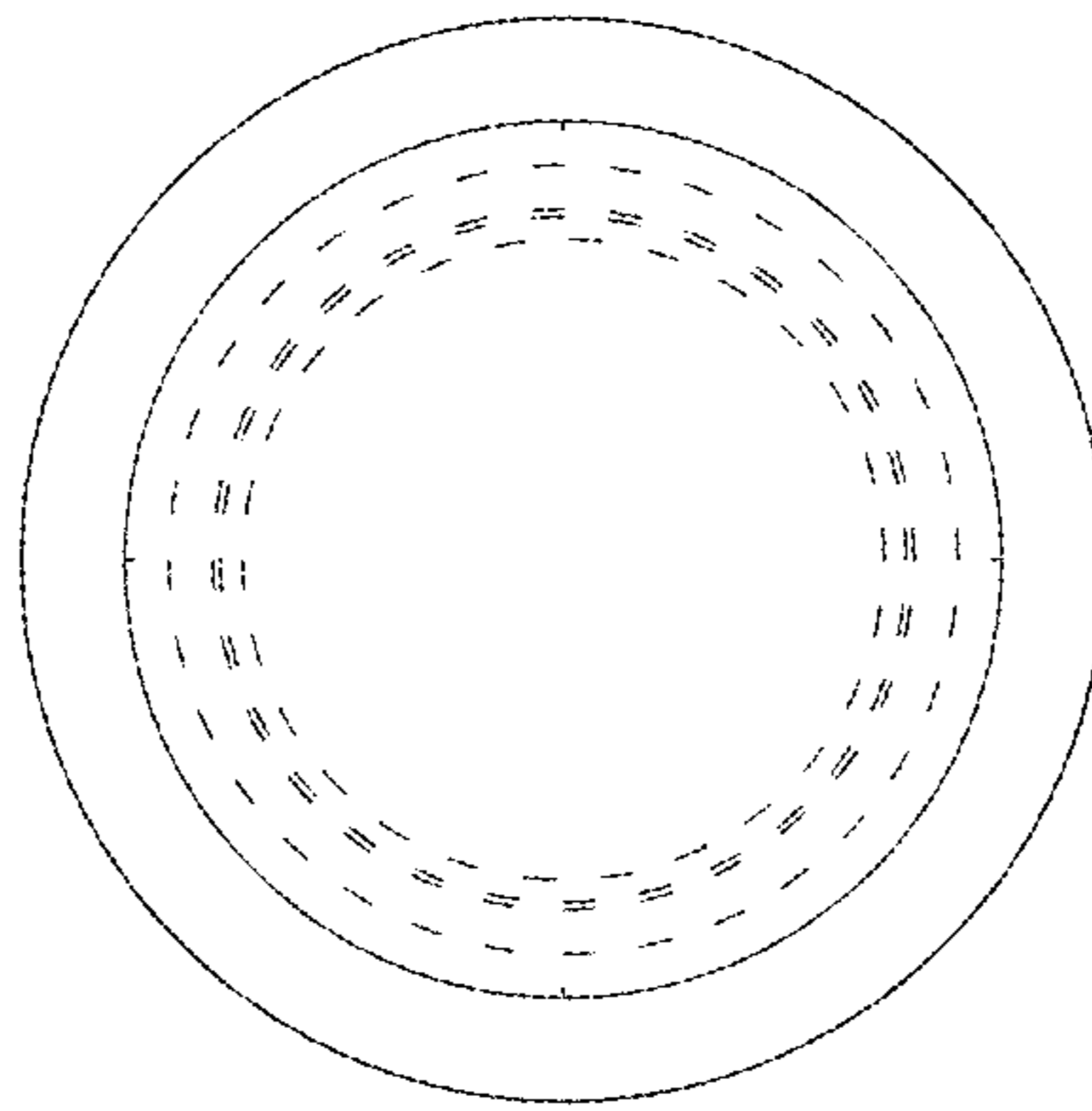


FIG.7