



US00D732399S

(12) **United States Design Patent**
Glass et al.

(10) **Patent No.:** **US D732,399 S**

(45) **Date of Patent:** **** Jun. 23, 2015**

(54) **GIFT BOX FOR HOLDING A STORED VALUE CARD WITH A MESSAGE CARD ENVELOPE**

(71) Applicant: **Gift Card Impressions, LLC**, Kansas City, MO (US)

(72) Inventors: **Brett R. Glass**, Kansas City, MO (US);
Nicole E. Glass, Kansas City, MO (US)

(**) Term: **14 Years**

(21) Appl. No.: **29/491,256**

(22) Filed: **May 19, 2014**

(51) **LOC (10) Cl.** **09-01**

(52) **U.S. Cl.**
USPC **D9/721**

(58) **Field of Classification Search**

USPC D9/414, 415, 418, 420, 426, 432, 433,
D9/455, 457, 715, 722, 737, 759, 761;
D3/201, 205, 206, 273, 274, 283, 298,
D3/290; 206/214, 215, 224, 424, 425, 515,
206/518, 525, 575, 751-756, 758, 763,
206/765; 229/103, 116.1, 120.02, 120.06,
229/120.07, 120.33, 124, 125.01, 125.08,
229/125.125

CPC B65D 5/68; B65D 5/52; B65D 5/5246;
B65D 5/64; B65D 5/5035; B65D 5/72;
B65D 5/205; B65D 5/522; B65D 5/4604;
B65D 2543/00194; B65D 27/00

See application file for complete search history.

(56) **References Cited**

U.S. PATENT DOCUMENTS

910,753 A * 1/1909 Weaver 206/215
1,014,581 A * 1/1912 Ehmling 206/215

1,194,618 A * 8/1916 Gottschalk 281/6
3,132,741 A * 5/1964 Epstein 206/755
D264,816 S * 6/1982 Drelinger et al. D9/424
D329,601 S * 9/1992 Samelson D9/721
D347,999 S * 6/1994 Pritchard et al. D9/432

* cited by examiner

Primary Examiner — Derrick Holland

Assistant Examiner — Lauren Calve

(74) *Attorney, Agent, or Firm* — Polsinelli PC

(57) **CLAIM**

The ornamental design for a gift box for holding a stored value card with a message card envelope, as shown and described.

DESCRIPTION

FIG. 1 is a perspective view of a gift box for holding a stored value card with a message card envelope according to the present invention;

FIG. 2 is an exploded perspective view thereof;

FIG. 3 is a top plan view thereof;

FIG. 4 is a bottom plan view thereof;

FIG. 5 is a right elevation view thereof;

FIG. 6 is a left elevation view thereof;

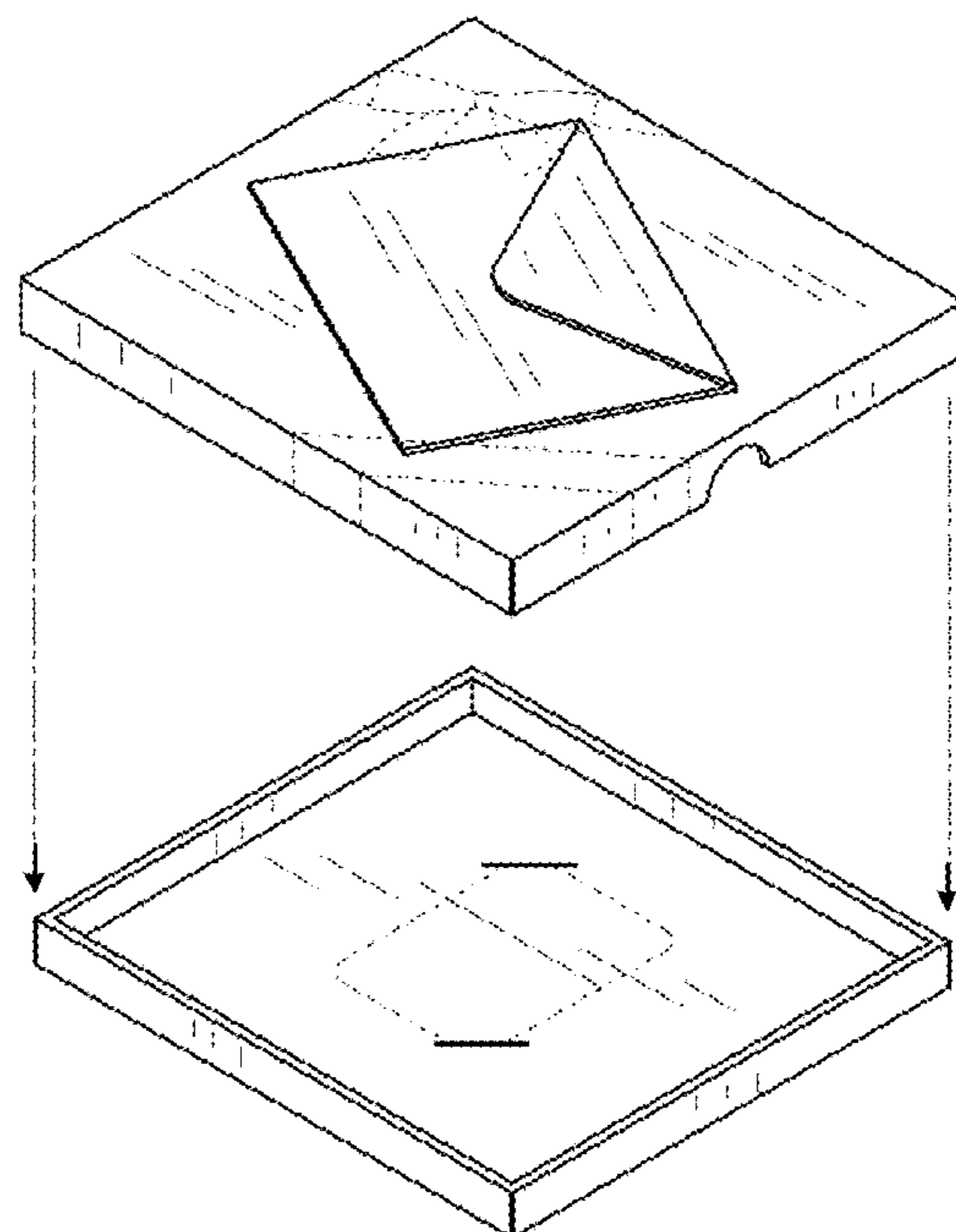
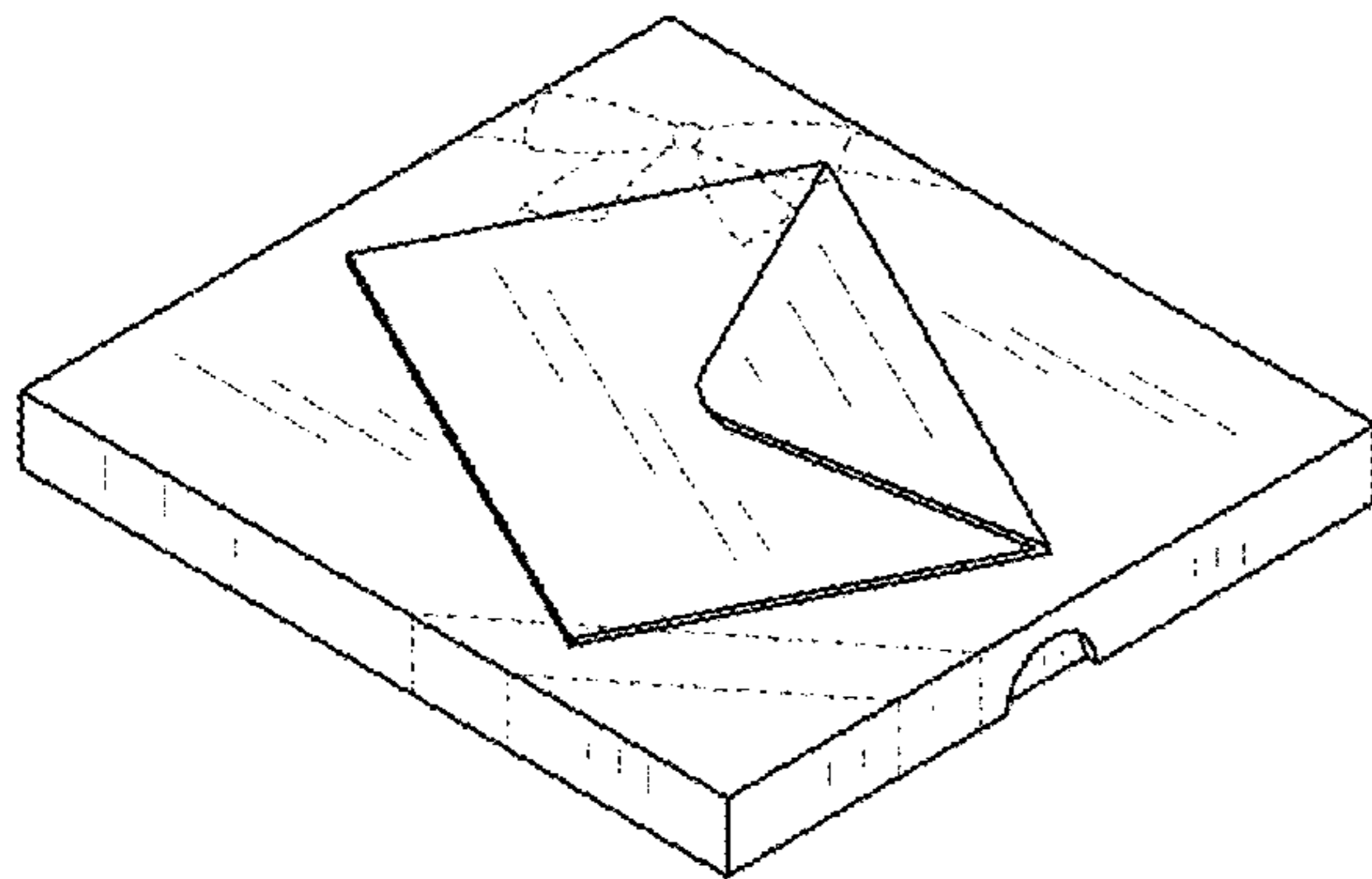
FIG. 7 is a front elevation view thereof; and,

FIG. 8 is a rear elevation view thereof.

The broken lines shown represent unclaimed subject matter and form no part of the claimed design.

The broken dash-dot-dot lines and arrows shown in FIG. 2 correspond to the direction of the exploded articles and form no part of the claimed design.

1 Claim, 2 Drawing Sheets



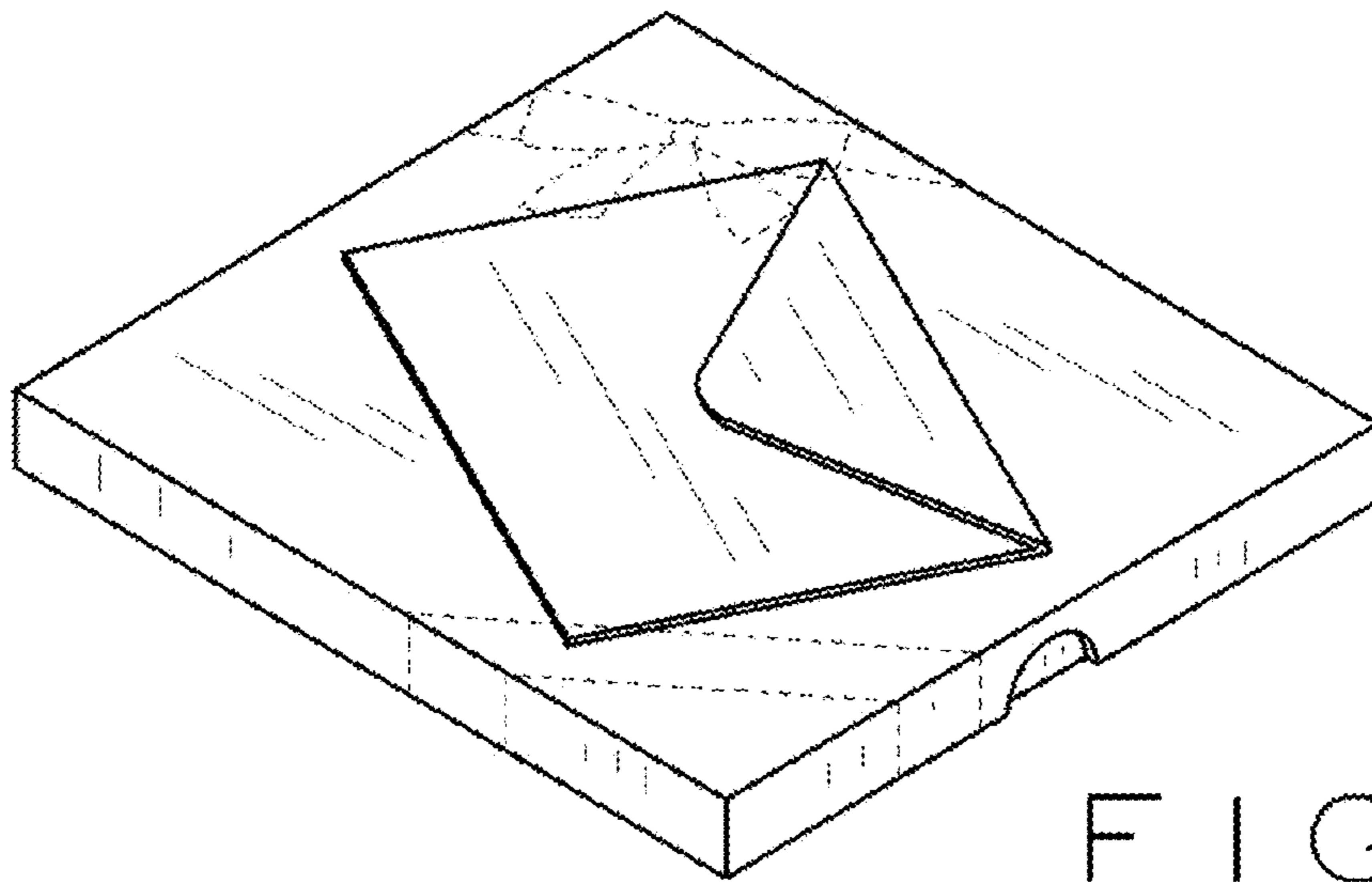


FIG. 1

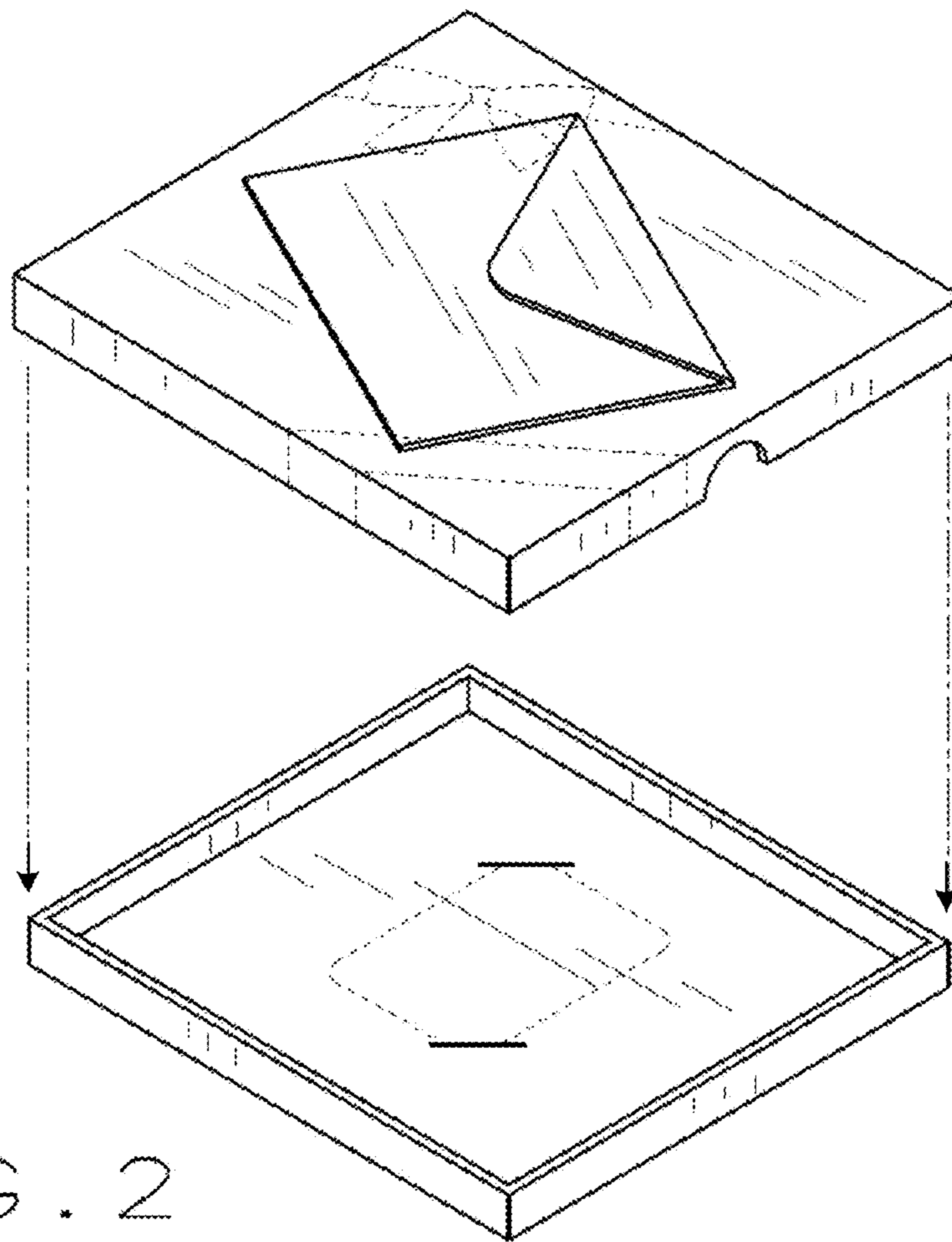


FIG. 2

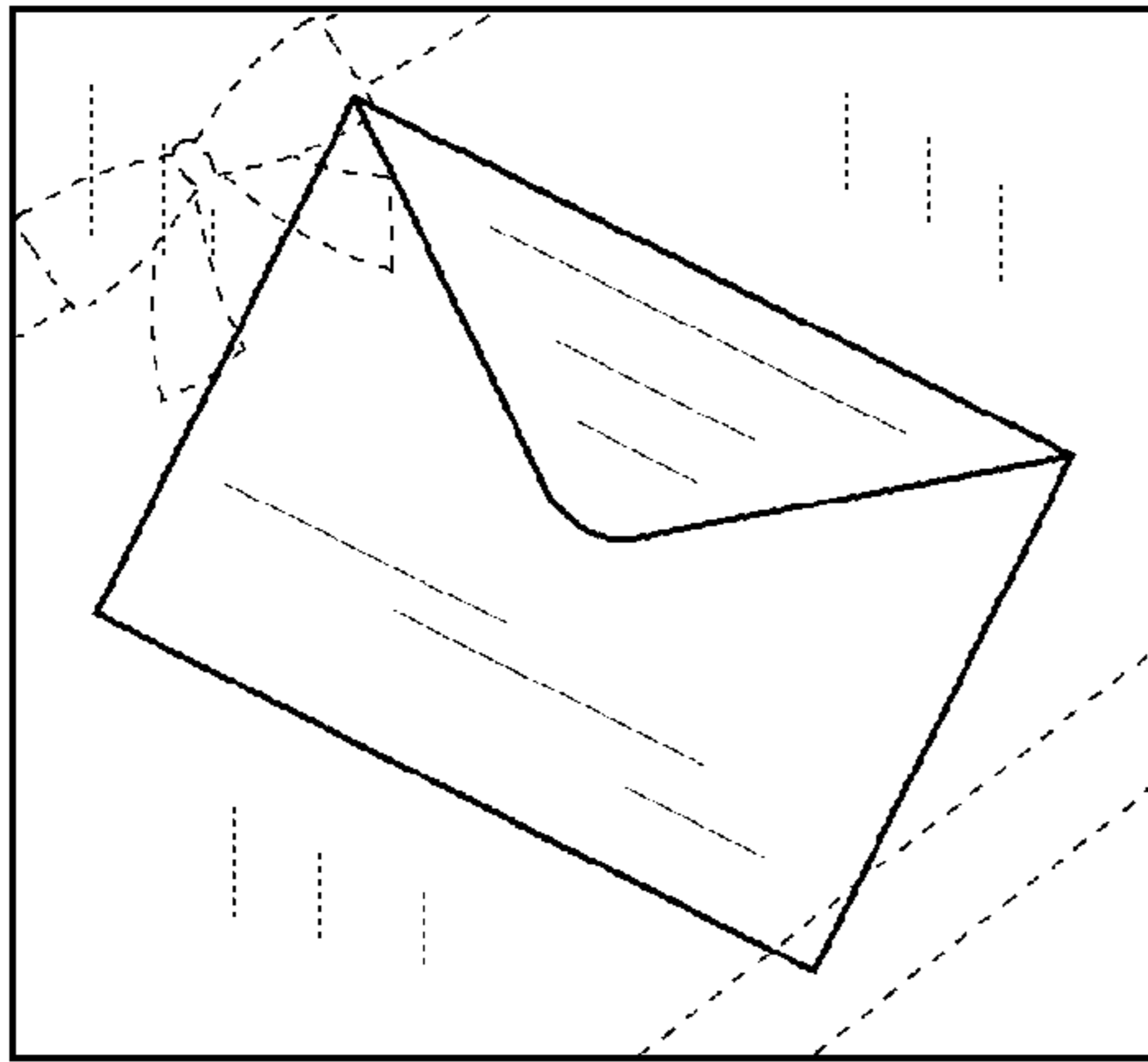


FIG. 3

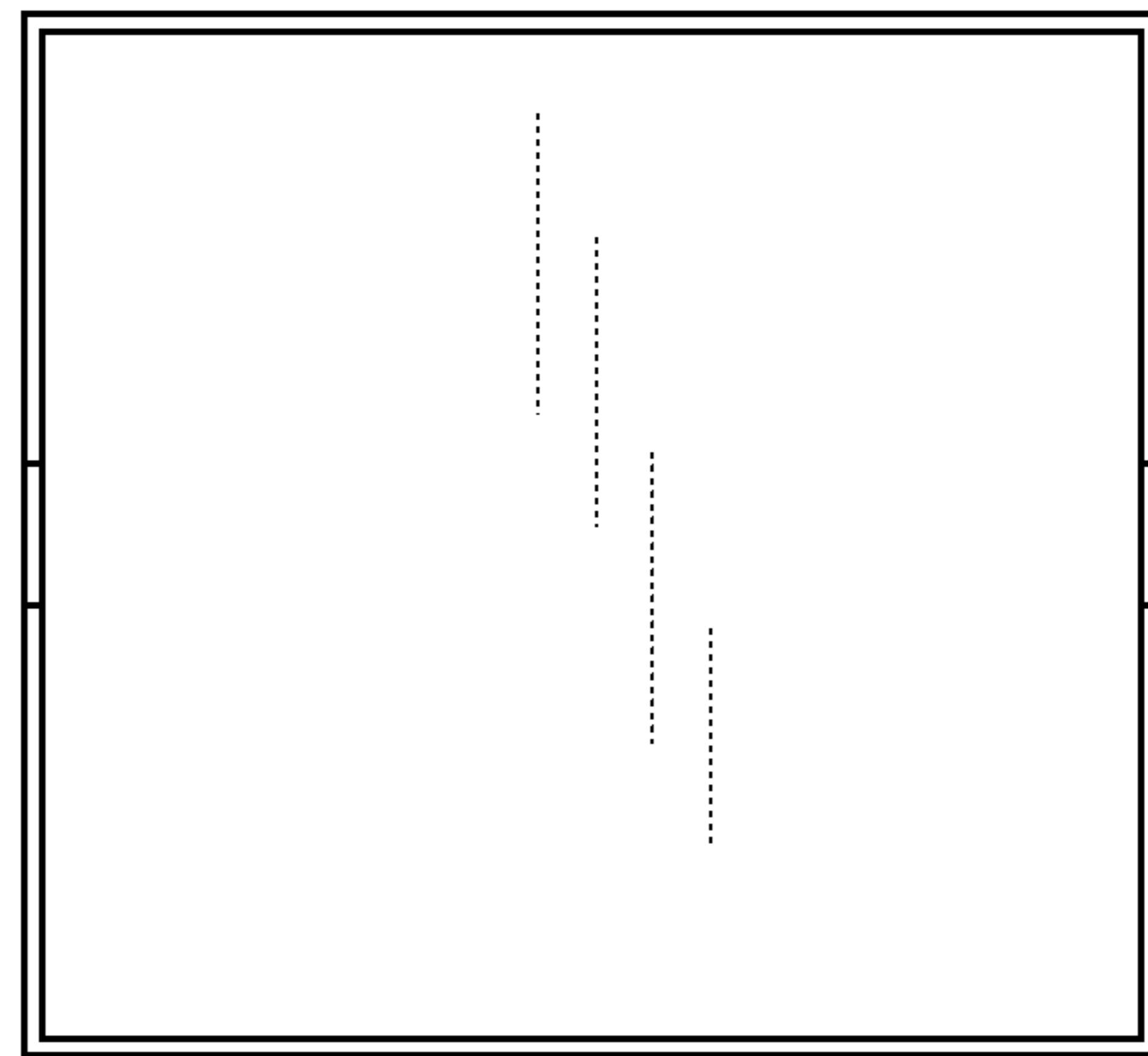


FIG. 4



FIG. 5



FIG. 6



FIG. 7

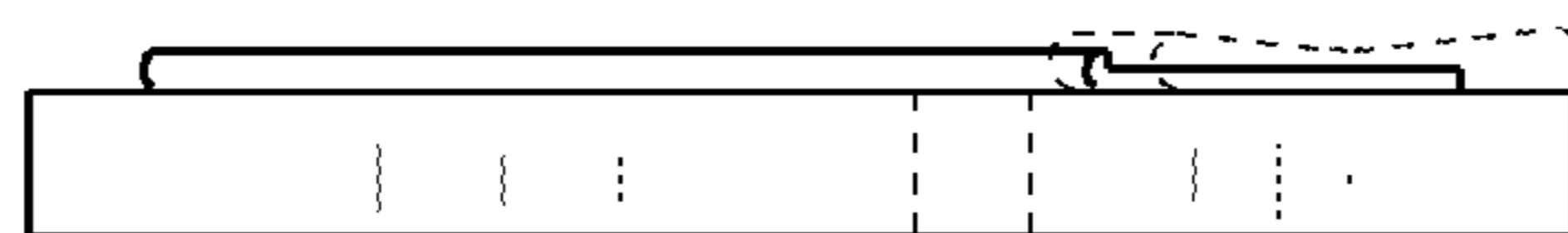


FIG. 8