



US00D732396S

(12) **United States Design Patent**
Song

(10) **Patent No.:** **US D732,396 S**

(45) **Date of Patent:** **** Jun. 23, 2015**

(54) **BEVERAGE BOTTLE**

(71) Applicant: **Xubin Song**, Jieyang (CN)
(72) Inventor: **Xubin Song**, Jieyang (CN)
(73) Assignee: **Guangdong Haixing Plastic & Rubber Co., Ltd.**, Jieyang, Guangdong (CN)

(**) Term: **14 Years**

(21) Appl. No.: **29/434,580**

(22) Filed: **Oct. 15, 2012**

(51) **LOC (10) Cl.** **09-01**

(52) **U.S. Cl.**
USPC **D9/538**

(58) **Field of Classification Search**
USPC D7/300, 302, 305, 312, 317, 321, 396.1,
D7/396.2, 396.4, 397, 398, 500, 509, 510,
D7/523, 529, 530, 531, 532, 538, 543, 560,
D7/561, 562, 565, 584, 585, 588, 601, 602,
D7/605, 608, 619.1, 622, 629, 630;
D9/500, 502, 503, 504, 516, 519, 520,
D9/525, 527, 528, 529, 530, 537, 538, 541,
D9/548, 549, 551, 552, 553, 554, 555, 556,
D9/559, 564, 565, 566, 567, 568, 569;
206/222

See application file for complete search history.

(56) **References Cited**

U.S. PATENT DOCUMENTS

D555,497	S	*	11/2007	Lavelli et al.	D9/551
D623,529	S	*	9/2010	Yourist et al.	D9/538
D651,091	S	*	12/2011	Boukobza	D9/538
D699,115	S	*	2/2014	Sanderson	D9/516
D699,116	S	*	2/2014	Sanderson	D9/516
8,820,555	B2	*	9/2014	Tanaka et al.	215/381
D714,649	S	*	10/2014	Boon	D9/538
D723,924	S	*	3/2015	Laib et al.	D9/500
2014/0174966	A1	*	6/2014	Song	206/222
2015/0041426	A1	*	2/2015	Oguchi et al.	215/382

* cited by examiner

Primary Examiner — Susan Bennett Hattan

Assistant Examiner — Leanne Was

(74) *Attorney, Agent, or Firm* — Novoclaims Patent Services LLC; Mei Lin Wong

(57) **CLAIM**

The ornamental design for a beverage bottle, as shown and described.

DESCRIPTION

FIG. 1 is a front perspective view of a beverage bottle showing my new design.

FIG. 2 is a front view thereof.

FIG. 3 is a rear view thereof.

FIG. 4 is a left end view thereof.

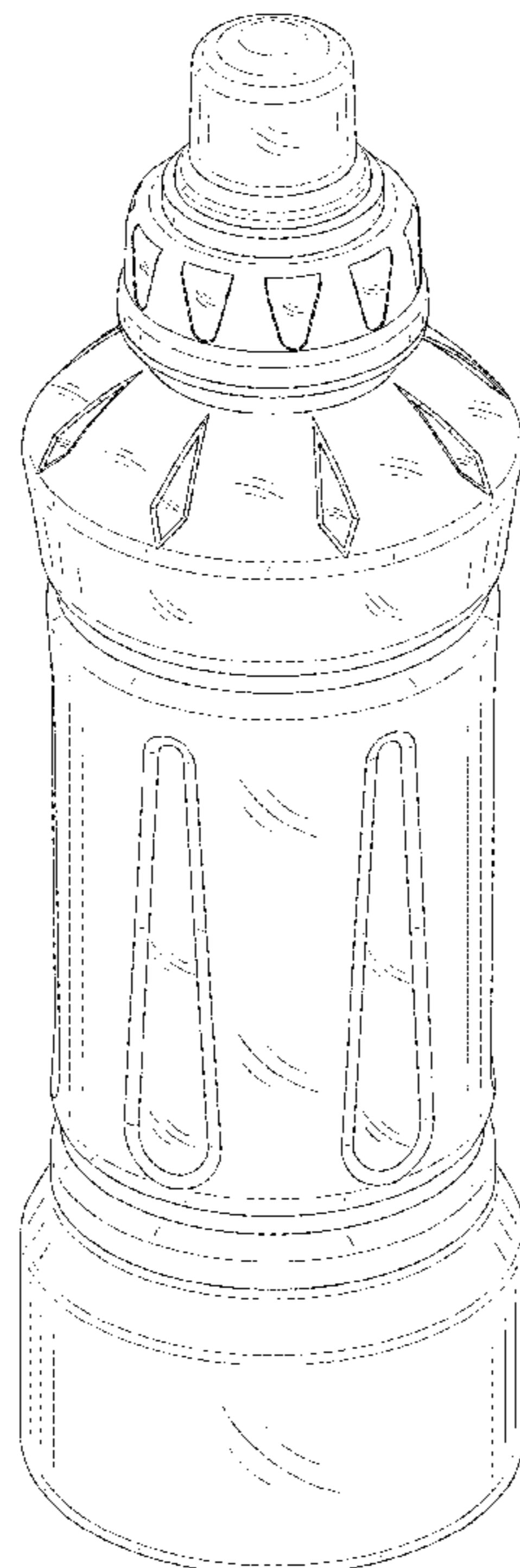
FIG. 5 is a right end view thereof.

FIG. 6 is a top view thereof; and,

FIG. 7 is a bottom view thereof.

The broken lines in FIG. 7 depict a portion of the beverage bottle that forms no part of the claimed design.

1 Claim, 7 Drawing Sheets



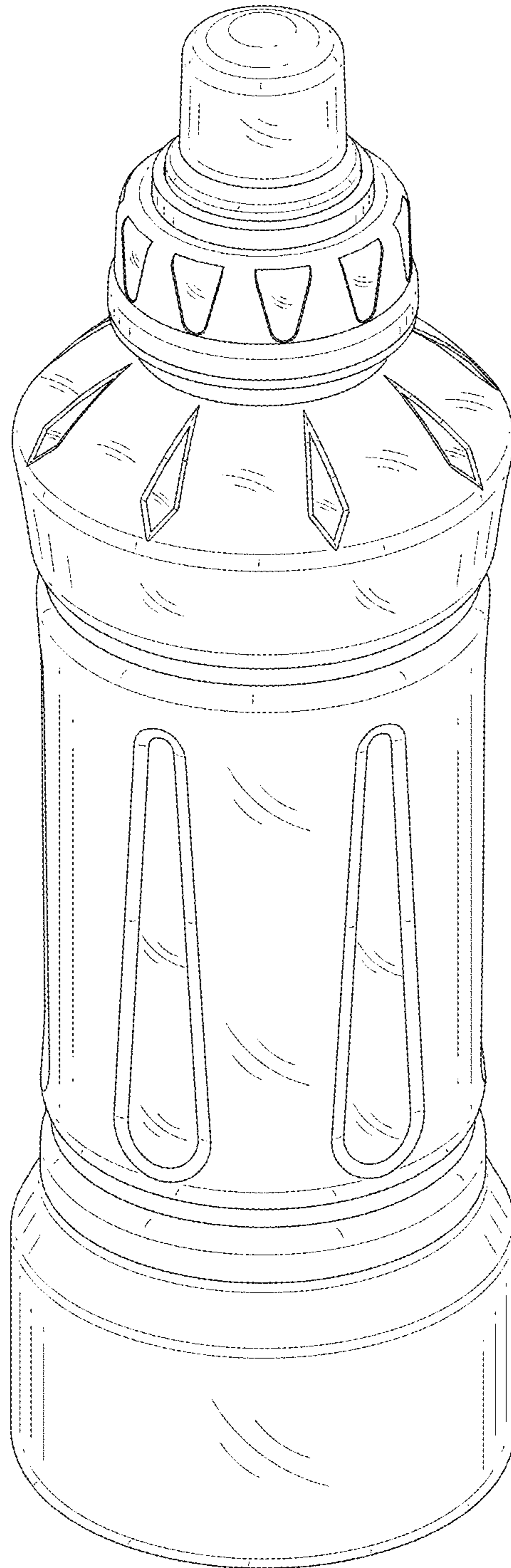


FIG.1

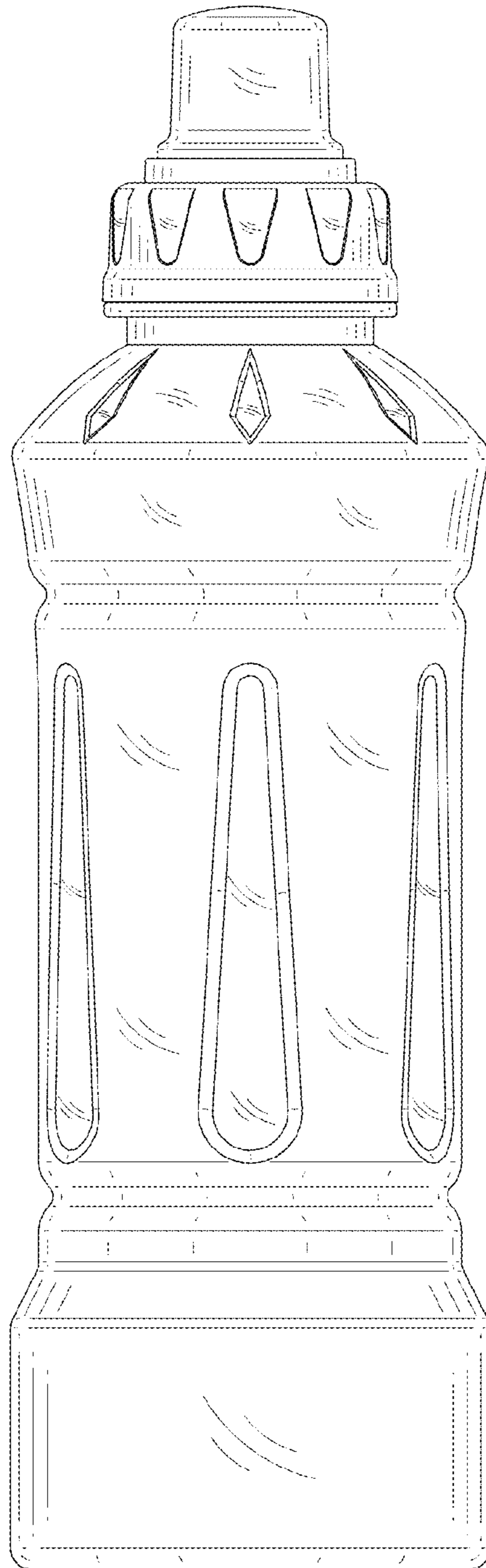


FIG.2

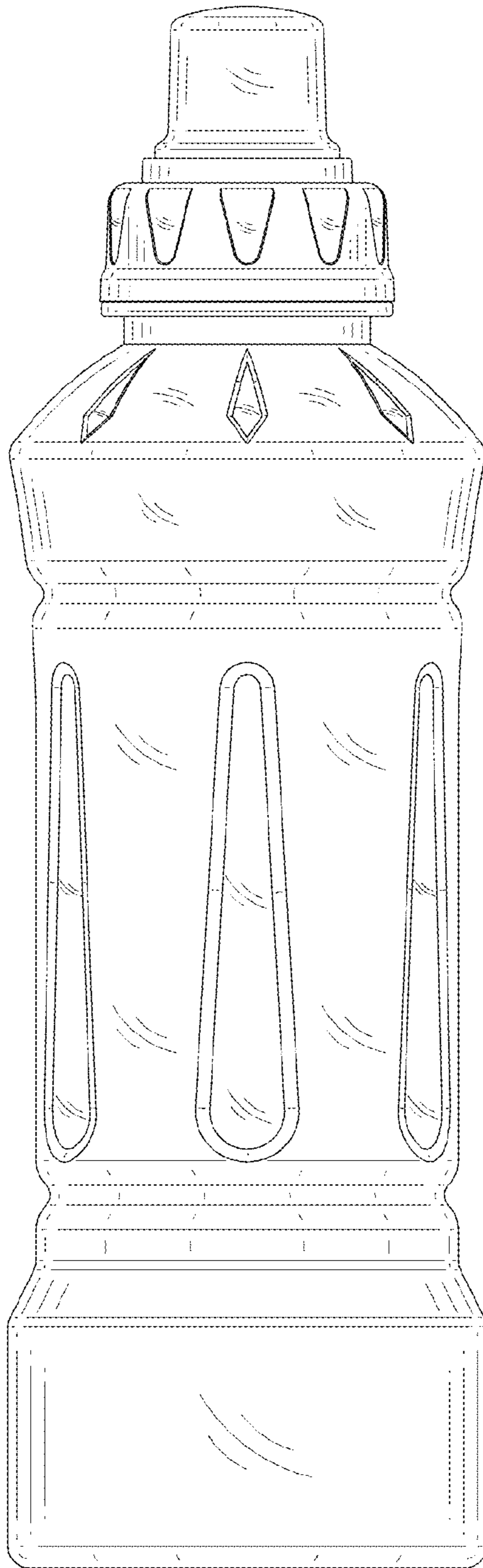


FIG.3

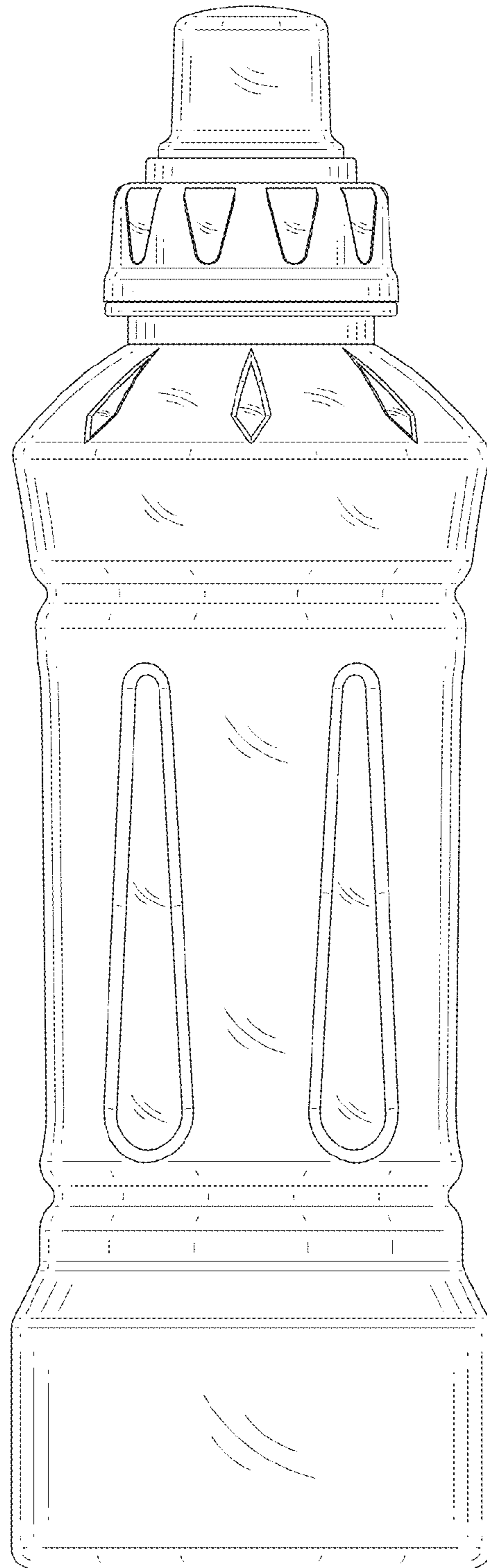


FIG.4

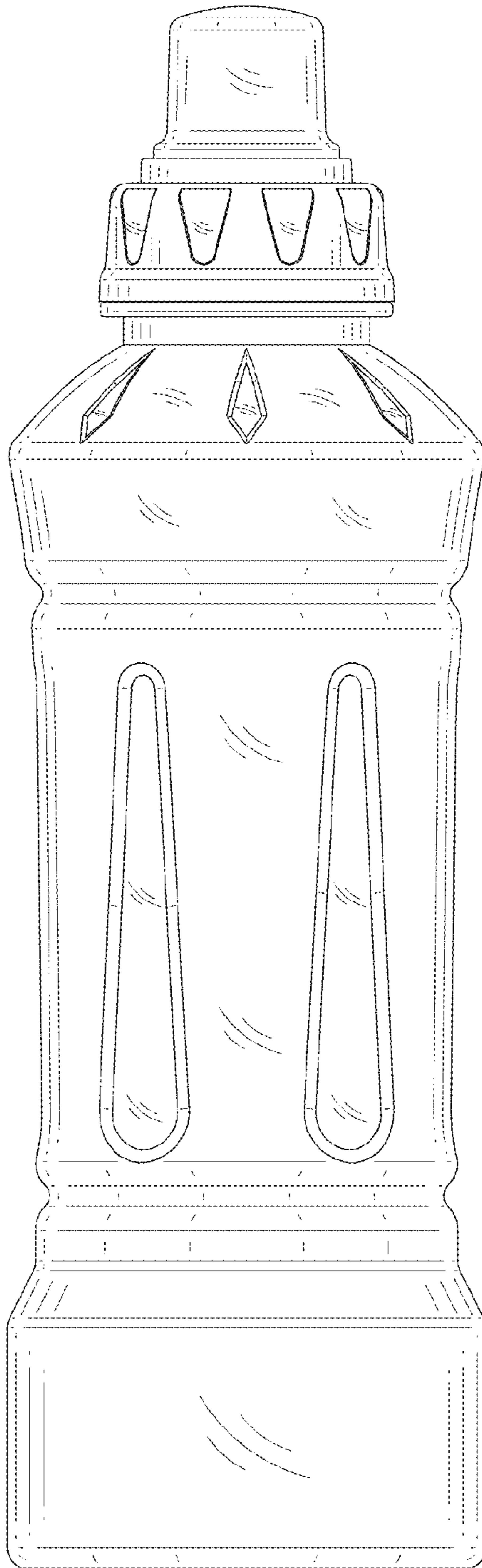


FIG.5

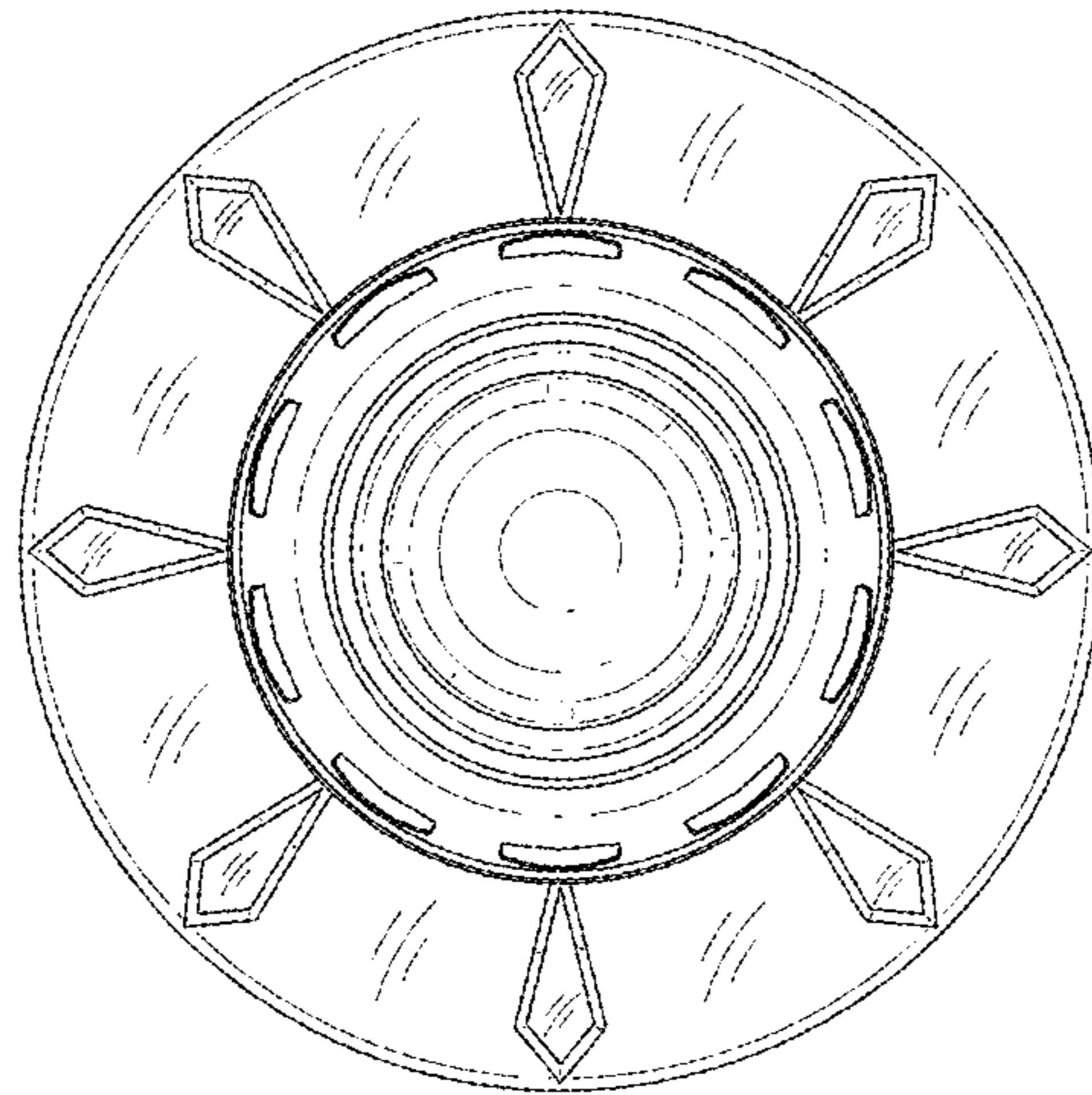


FIG.6

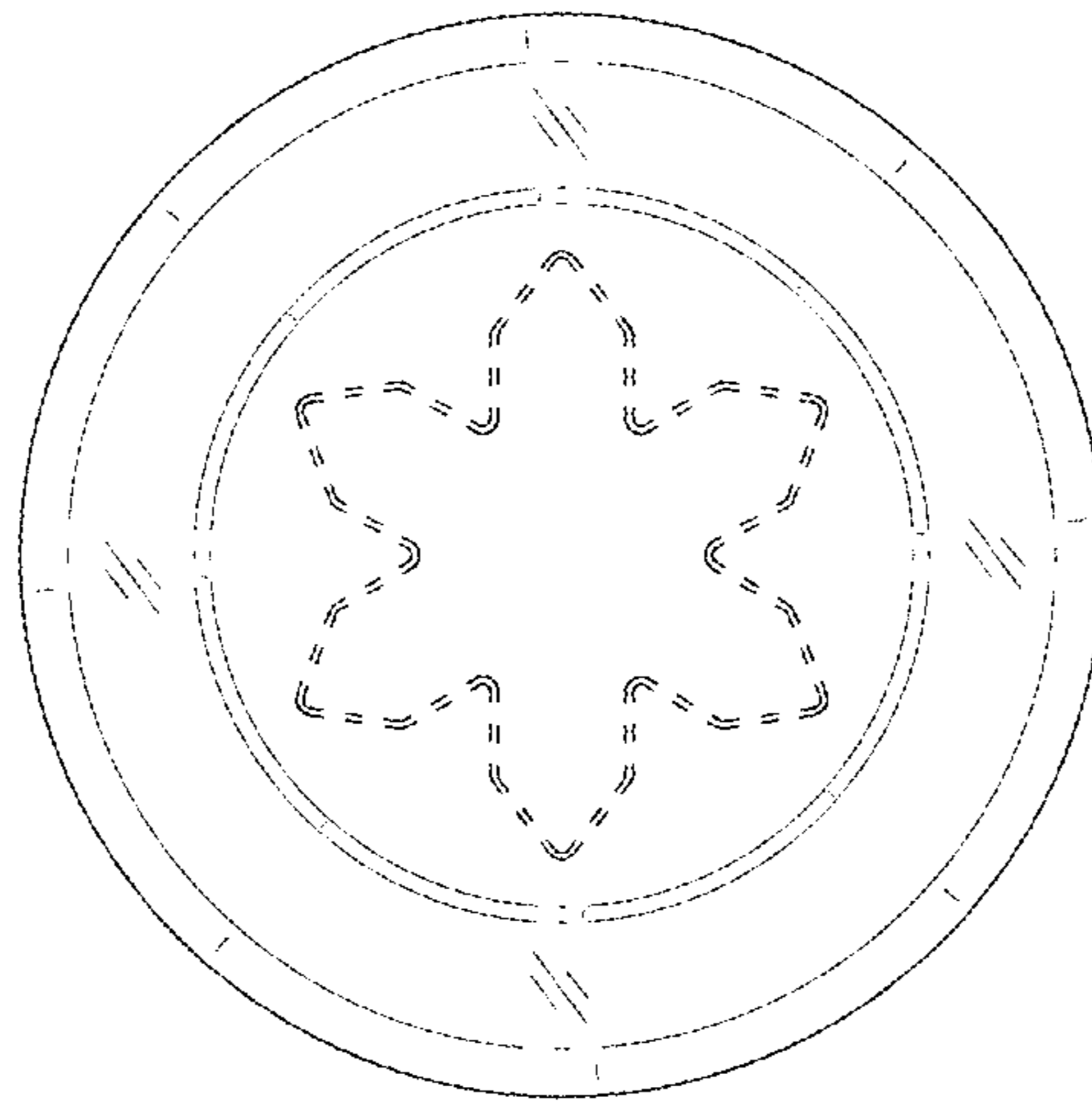


FIG.7