



US00D732394S

(12) **United States Design Patent**
DeMarco et al.

(10) **Patent No.:** **US D732,394 S**
(45) **Date of Patent:** **** Jun. 23, 2015**

(54) **BOTTLE**

(71) Applicant: **MARY KAY INC.**, Dallas, TX (US)
(72) Inventors: **Jenny DeMarco**, Frisco, TX (US); **Rob Alschbach**, Addison, TX (US)

(73) Assignee: **Mary Kay Inc.**, Addison, TX (US)

(**) Term: **14 Years**

(21) Appl. No.: **29/458,338**

(22) Filed: **Jun. 18, 2013**

(51) **LOC (10) Cl.** **09-01**

(52) **U.S. Cl.**
USPC **D9/529; D9/573; D9/574; D9/444**

(58) **Field of Classification Search**
USPC D9/682-694, 719, 516, 517, 529, 567,
D9/571-575, 436, 448, 520, 549-558,
D9/723-729, 444; 215/379, 382; 220/669
CPC B65D 1/0223; B65D 23/00; B65D 23/001;
B65D 83/14; B65D 83/32; B65D 83/38;
B05B 11/00; B05B 11/0037; B05B 11/3001;
B05B 11/3002; B05B 11/3004; B05B
11/3005; B05B 11/3007; B05B 11/3008;
B05B 11/3009; B05B 11/3011; B05B
11/3012; B05B 11/3014; B05B 11/3015;
B05B 11/3016; B05B 11/3018; B05B
11/3019; B05B 11/3021; B05B 11/3022;
B05B 11/3023; B05B 11/3025; B05B
11/3026; B05B 11/3028; B05B 11/3029;
B05B 11/303; B05B 11/3032; B05B 11/3033;
B05B 11/3035; B05B 11/3036

See application file for complete search history.

(56) **References Cited**

U.S. PATENT DOCUMENTS

D258,868 S 4/1981 Soderberg 9/529
D263,560 S 3/1982 Leonard 9/529

(Continued)

FOREIGN PATENT DOCUMENTS

JP D1387508 5/2010
TW 490178 6/2002
TW D112690 8/2006

OTHER PUBLICATIONS

Search Report issued in Taiwanese Patent Application No. 102308207, dated Aug. 1, 2014. (English translation included).

Primary Examiner — Catherine Tuttle

(74) *Attorney, Agent, or Firm* — Norton Rose Fulbright US LLP

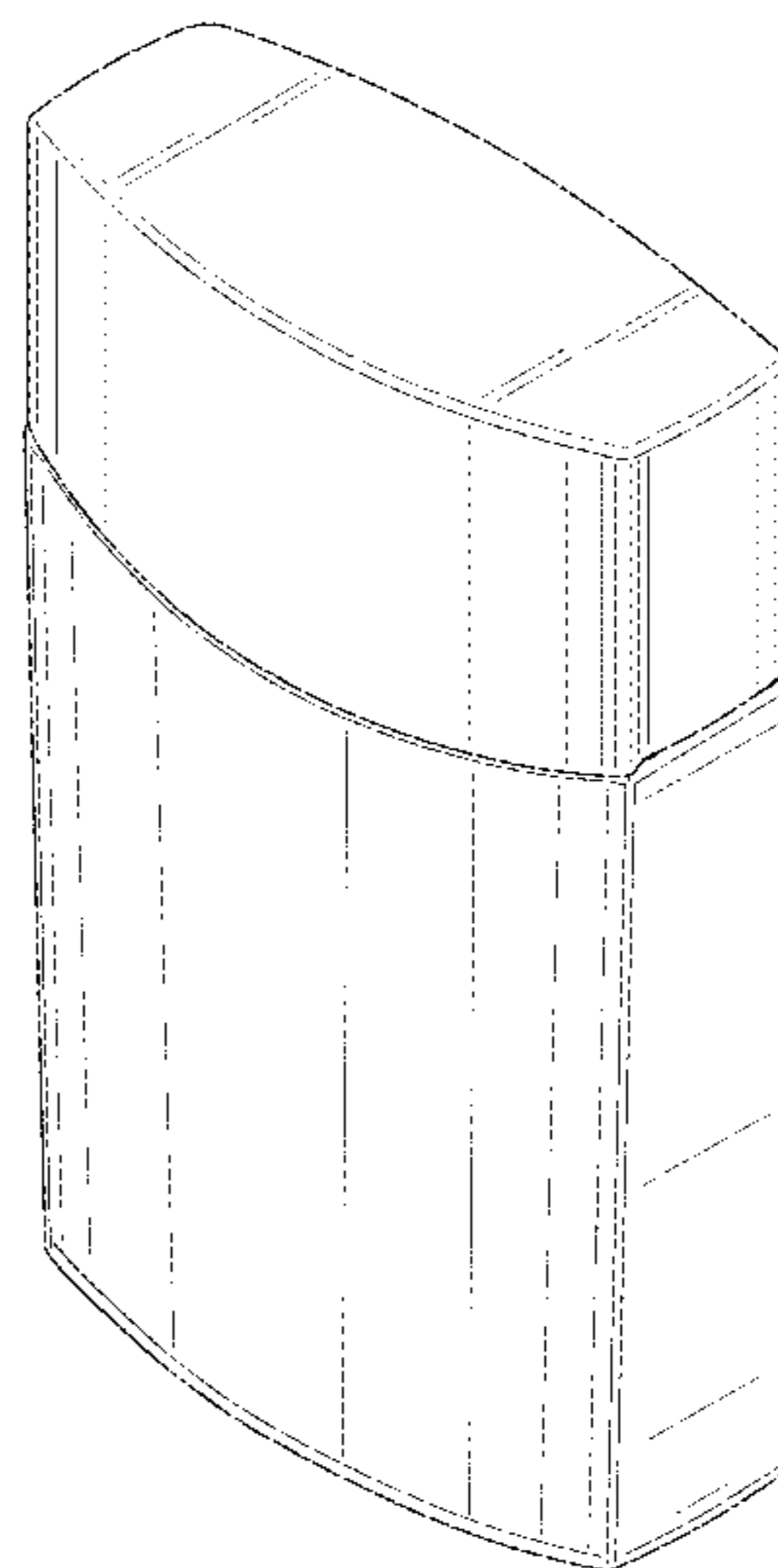
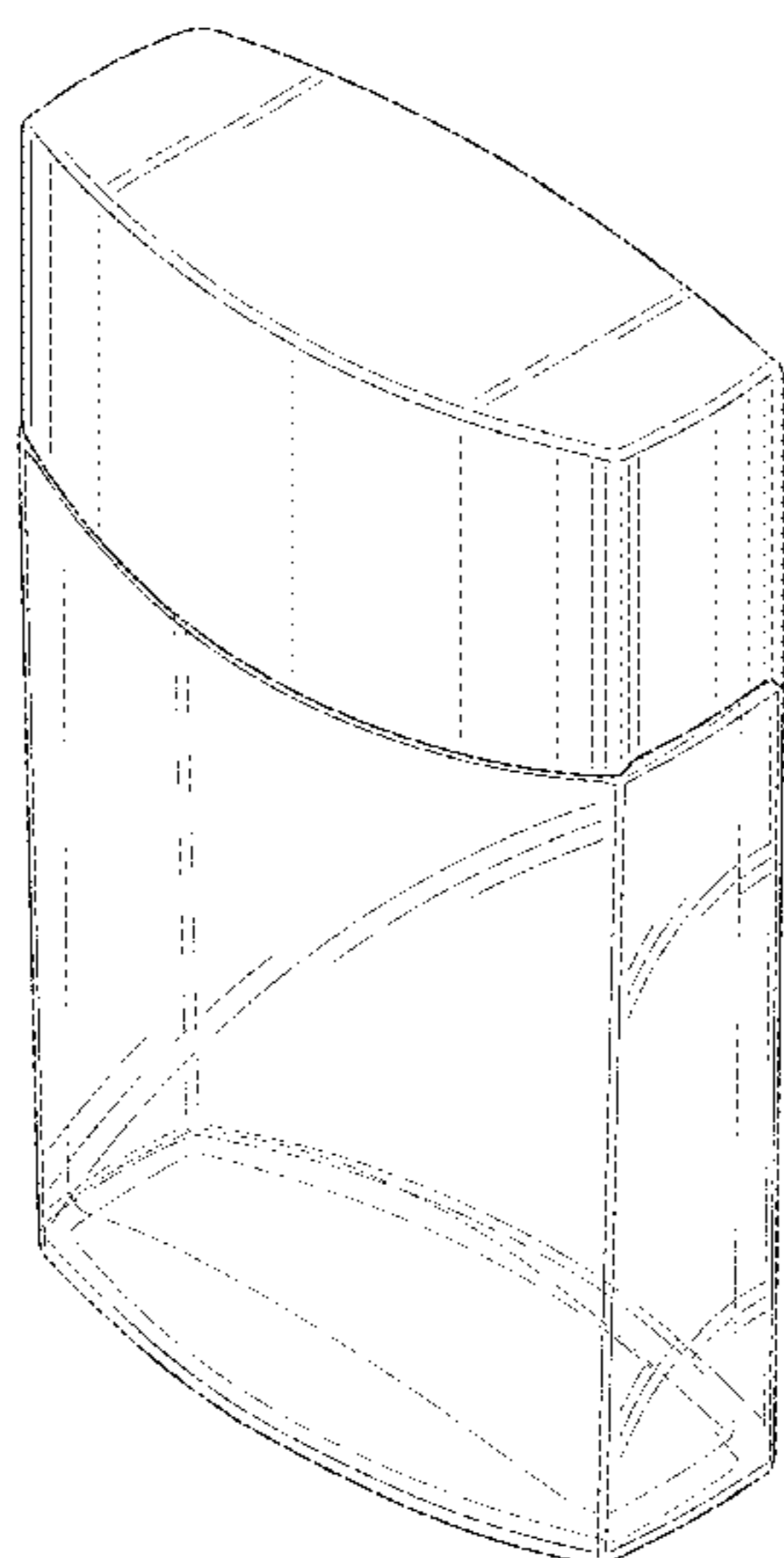
(57) **CLAIM**

The ornamental design for the bottle, as shown and described.

DESCRIPTION

FIG. 1 is a perspective view of a first embodiment of a bottle, which includes a transparent base and an opaque cap; FIG. 2 is a front view of the bottle shown in FIG. 1; FIG. 3 is a back view of the bottle shown in FIG. 1; FIG. 4 is a right side view of the bottle shown in FIG. 1; FIG. 5 is a left side view of the bottle shown in FIG. 1; FIG. 6 is a top view of the bottle shown in FIG. 1; FIG. 7 is a bottom view of the bottle shown in FIG. 1; FIG. 8 is a perspective view of a second embodiment of a bottle, which includes an opaque base and an opaque cap; FIG. 9 is a front view of the bottle shown in FIG. 8; FIG. 10 is a back view of the bottle shown in FIG. 8; FIG. 11 is a right side view of the bottle shown in FIG. 8; FIG. 12 is a left side view of the bottle shown in FIG. 8; FIG. 13 is a top view of the bottle shown in FIG. 8; and, FIG. 14 is a bottom view of the bottle shown in FIG. 8. The dashed line in FIG. 7 is included for the purpose of illustrating a portion of the bottle that forms no part of the claimed design. All other surfaces or portions of the bottles in FIGS. 1-14 not shown in the figures or otherwise described in the specification form no part of the claimed design.

1 Claim, 12 Drawing Sheets



(56)

References Cited

U.S. PATENT DOCUMENTS

D272,991 S	3/1984	Thompson	9/529
D285,174 S	8/1986	Teschner	9/520
D294,183 S	2/1988	Hiesse	28/7
D299,429 S	1/1989	Dinand	9/566
D301,837 S	6/1989	Peterson et al.	9/529
D302,659 S	8/1989	Peterson et al.	9/529
D303,758 S	10/1989	Nitta	9/687
D304,549 S	11/1989	Desgrippes	9/529
D305,300 S	1/1990	Kraft	9/529
D309,860 S	8/1990	Fossati	9/687
D310,171 S	8/1990	Cusenza	9/529
D310,483 S	9/1990	De Giovellina	9/529
D318,794 S *	8/1991	Litton et al.	D9/694
D323,293 S	1/1992	Gutkowski	9/529
D325,523 S	4/1992	Restrepo	9/529
D328,029 S	7/1992	Grip	9/544
D328,569 S	8/1992	Spelling	9/562
D333,270 S	2/1993	Albright et al.	9/566
D334,143 S	3/1993	Rothfos	9/529
D341,315 S	11/1993	Seymour	9/529
D342,677 S	12/1993	Cazaudehore	9/529
D343,123 S	1/1994	De Morques	9/529
D346,743 S	5/1994	Cazaudehore	9/529
D347,389 S	5/1994	Crawford	9/529
D348,217 S	6/1994	Le Prince	9/687
D348,613 S	7/1994	Gonda et al.	9/571
D351,105 S	10/1994	Grip	9/529
D352,657 S *	11/1994	Gonda et al.	D9/694
D353,332 S	12/1994	Behm et al.	9/529
D357,186 S	4/1995	Dinand	9/529
D367,230 S	2/1996	Paglina	9/529
D367,605 S	3/1996	Moore	9/686
D367,608 S	3/1996	Stranders	9/529
D369,097 S	4/1996	Dinand	9/686
D375,455 S	11/1996	Uhl et al.	9/687
D377,147 S *	1/1997	Baron	D9/529
D381,275 S	7/1997	Lecoule	9/572
D382,206 S	8/1997	Worthington et al.	9/529
D386,673 S	11/1997	Thompson	9/668
D394,368 S	5/1998	Mekler	7/605
D398,241 S	9/1998	Krebs	9/529
D408,293 S	4/1999	Bakic	9/558
D426,466 S	6/2000	Nevins et al.	9/529
D430,035 S	8/2000	Heeter et al.	9/529
D440,880 S *	4/2001	Faucon	D9/544
D457,426 S	5/2002	Montana	9/420
D458,848 S	6/2002	Tompkins	9/529
D459,209 S	6/2002	Yamamoto	9/687
D471,820 S	3/2003	Faillant-Dumas	9/529
D480,003 S	9/2003	Blades	9/529
D481,952 S	11/2003	Orsomando	9/529
D484,806 S	1/2004	Cummings	9/529
D485,495 S	1/2004	Cummings	9/529
D495,957 S	9/2004	Bakic	9/529
D498,415 S *	11/2004	Schuller et al.	D9/686
D511,688 S	11/2005	Baron	9/560
D525,873 S	8/2006	Haubert et al.	9/529
D531,049 S	10/2006	De France	9/686
D535,890 S	1/2007	Herrmann	9/571
D536,259 S	2/2007	Herrmann	9/573
D538,669 S	3/2007	Martinez	9/529
D541,161 S	4/2007	Ames	9/529
D541,164 S	4/2007	Yamasaki et al.	9/529
D542,144 S	5/2007	Herrmann	9/560
D544,362 S *	6/2007	Rica	D9/544
D546,192 S	7/2007	Faillant Dumas	9/571
D551,982 S	10/2007	Forman	9/529
D558,050 S	12/2007	Urcun	9/529
D562,151 S	2/2008	Larocca et al.	9/723
D574,248 S	8/2008	Baraky et al.	9/529
D576,052 S	9/2008	Lloyd et al.	9/694
D577,591 S	9/2008	Bouroullec et al.	9/529
D577,600 S *	9/2008	Kim et al.	D9/573
D581,797 S	12/2008	Calvo	9/523
D585,754 S	2/2009	McGregor et al.	9/559
D587,596 S	3/2009	Lloyd	9/694
D588,469 S *	3/2009	Pininfarina	D9/687
D593,420 S	6/2009	Augenbraun et al.	9/687
D597,410 S	8/2009	Carmody et al.	9/529
D601,432 S *	10/2009	Lee	D9/694
D607,334 S	1/2010	Domoy et al.	9/529
D609,574 S	2/2010	Holmes et al.	9/542
D610,014 S	2/2010	Wolf	9/529
D641,641 S *	7/2011	Weng	D9/686
D646,581 S	10/2011	Baron	9/573
D656,827 S	4/2012	Mandell et al.	9/516
D656,830 S	4/2012	Rodrigeuz	9/520
D656,838 S	4/2012	Mouquet	9/652
D670,570 S *	11/2012	Matsushita	D9/651
D677,573 S	3/2013	Papiernik	9/529
D678,776 S	3/2013	Lecetre et al.	9/573
D694,210 S	11/2013	Fujii et al.	14/126
D702,560 S *	4/2014	DeMarco	D9/694
D723,929 S *	3/2015	Blachford et al.	D9/529
2004/0140325 A1 *	7/2004	Flaig et al.	222/182
2008/0023575 A1 *	1/2008	Trumble et al.	239/327
2010/0108779 A1 *	5/2010	Filsouf	239/61

* cited by examiner

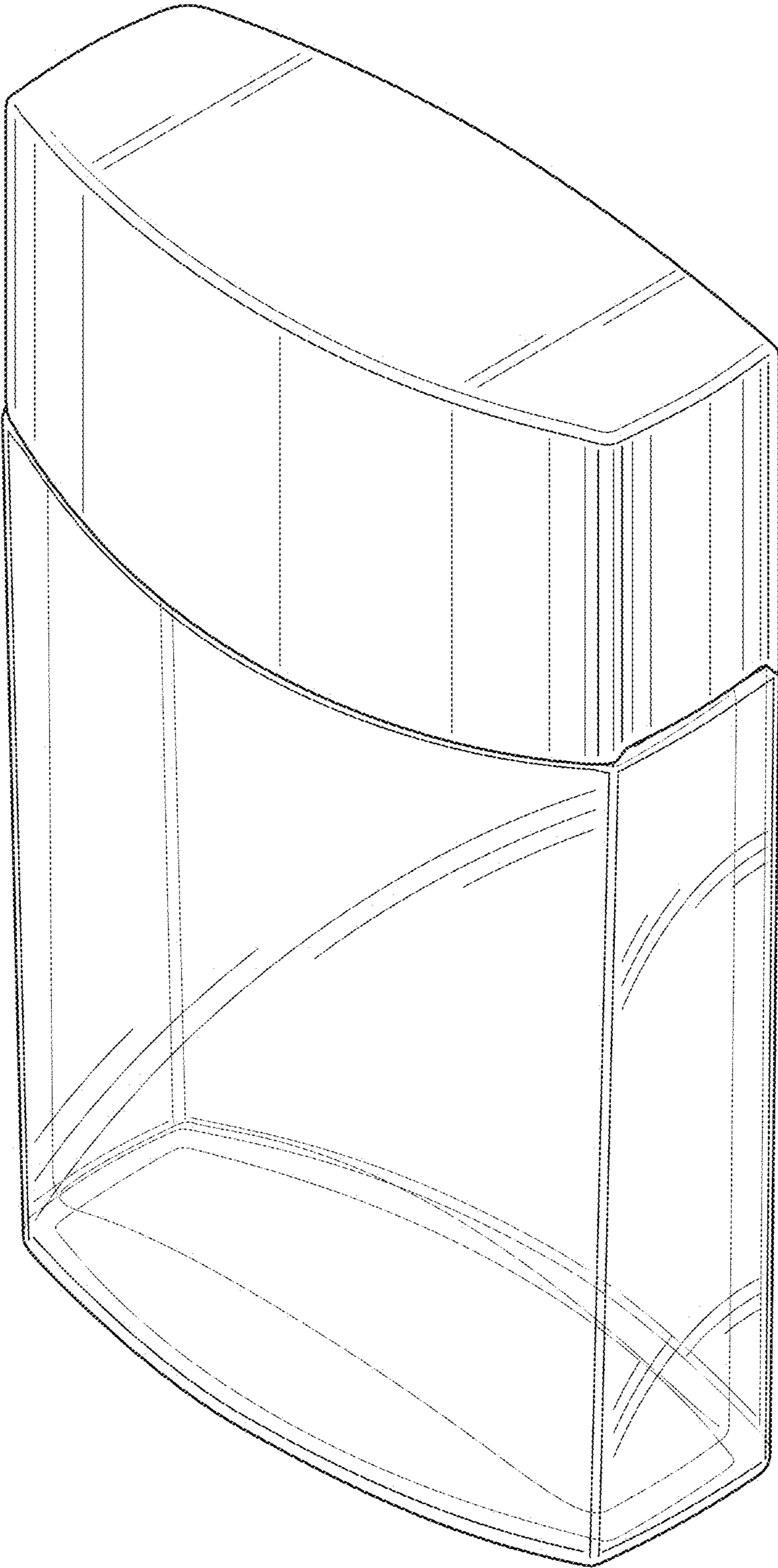


FIG. 1

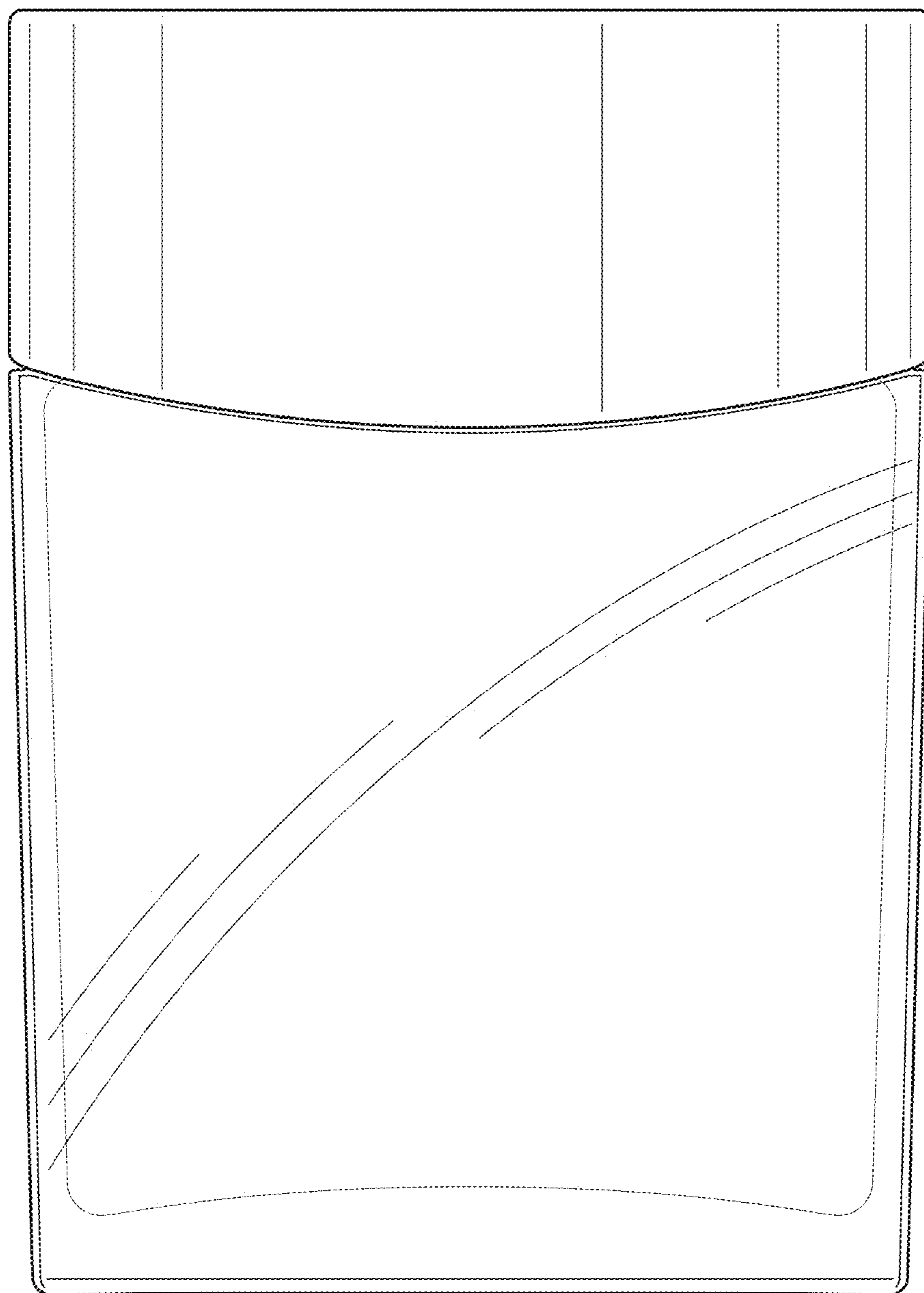


FIG. 2

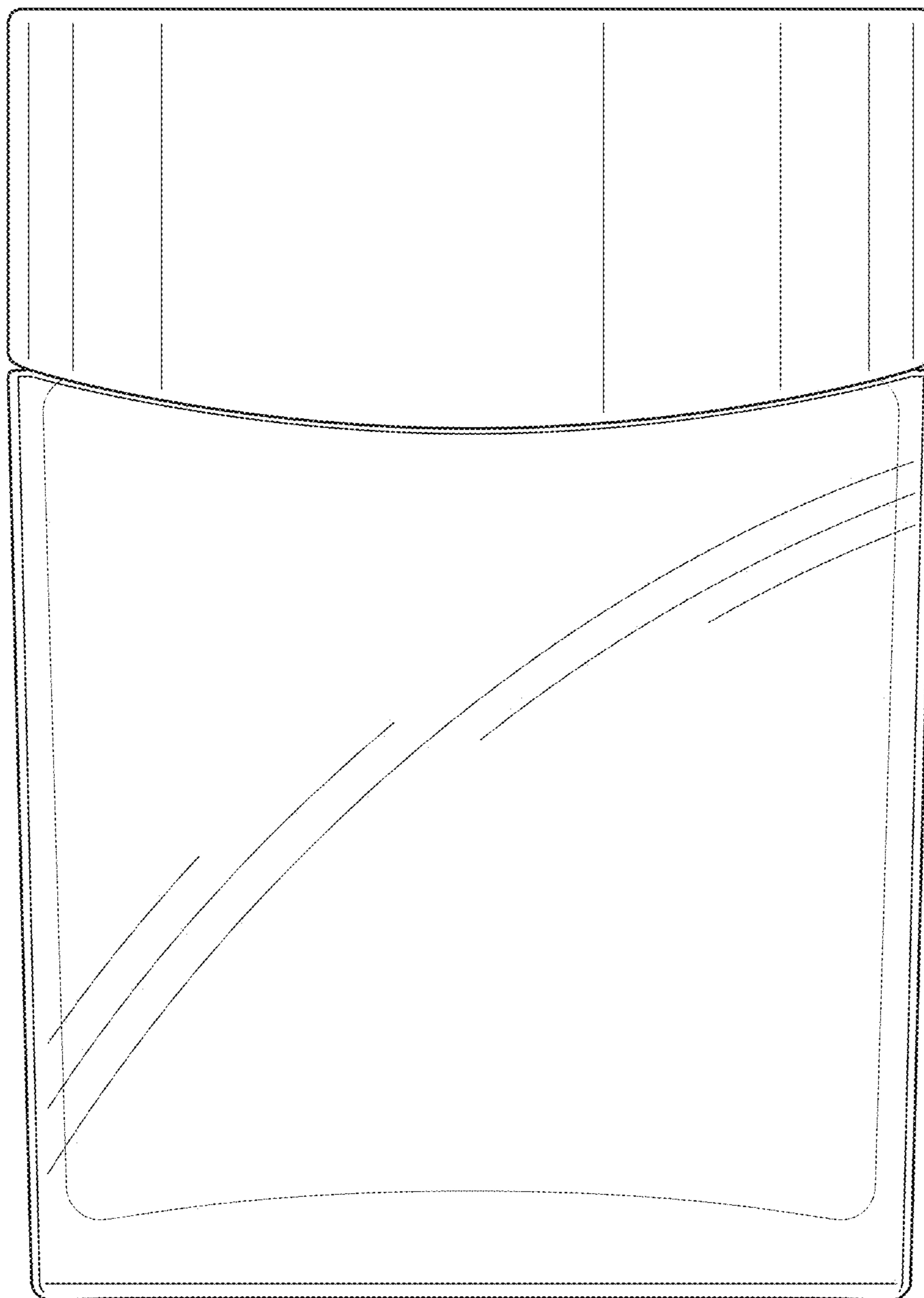


FIG. 3

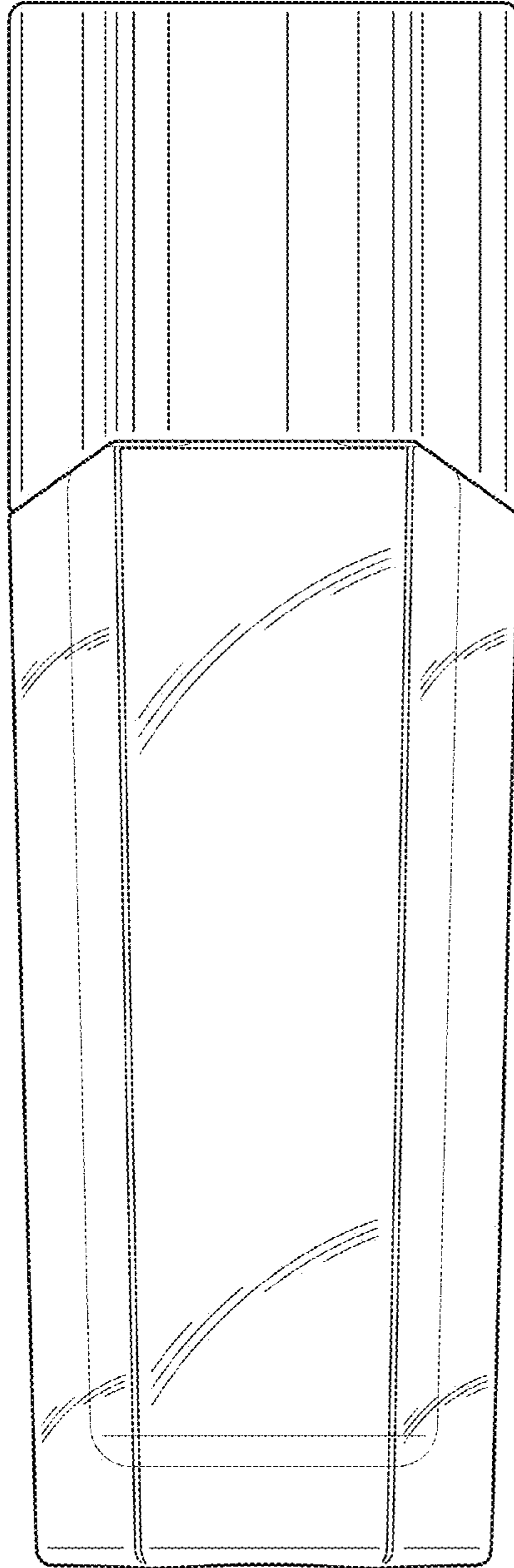


FIG. 4

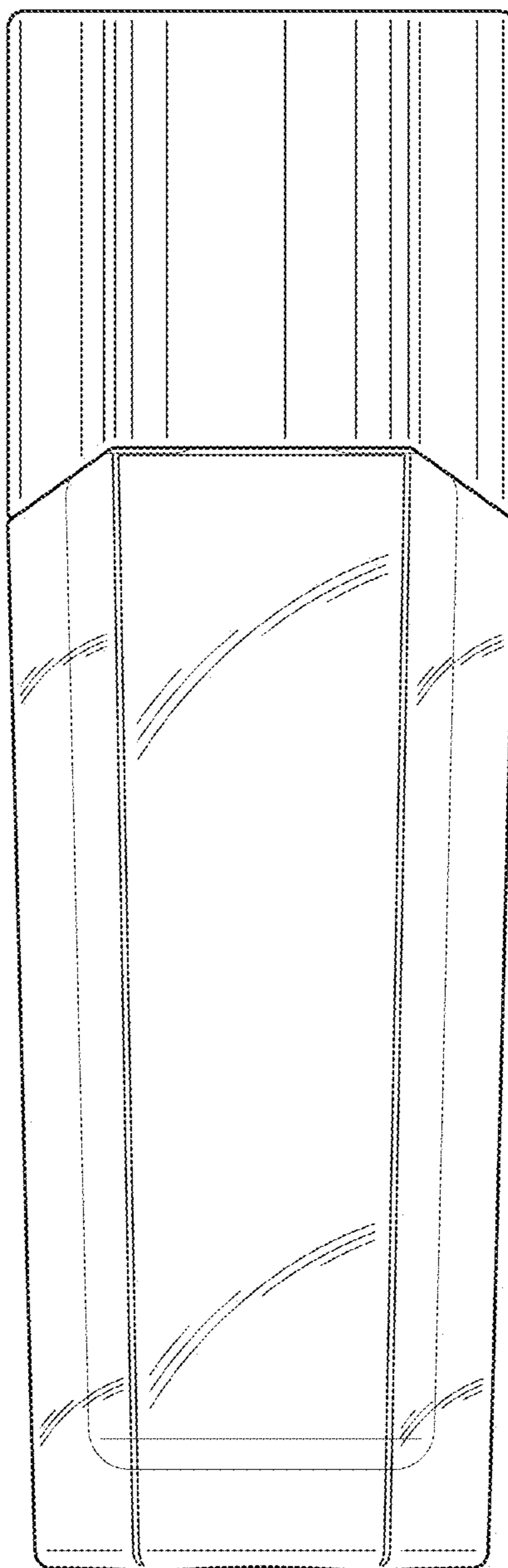


FIG. 5

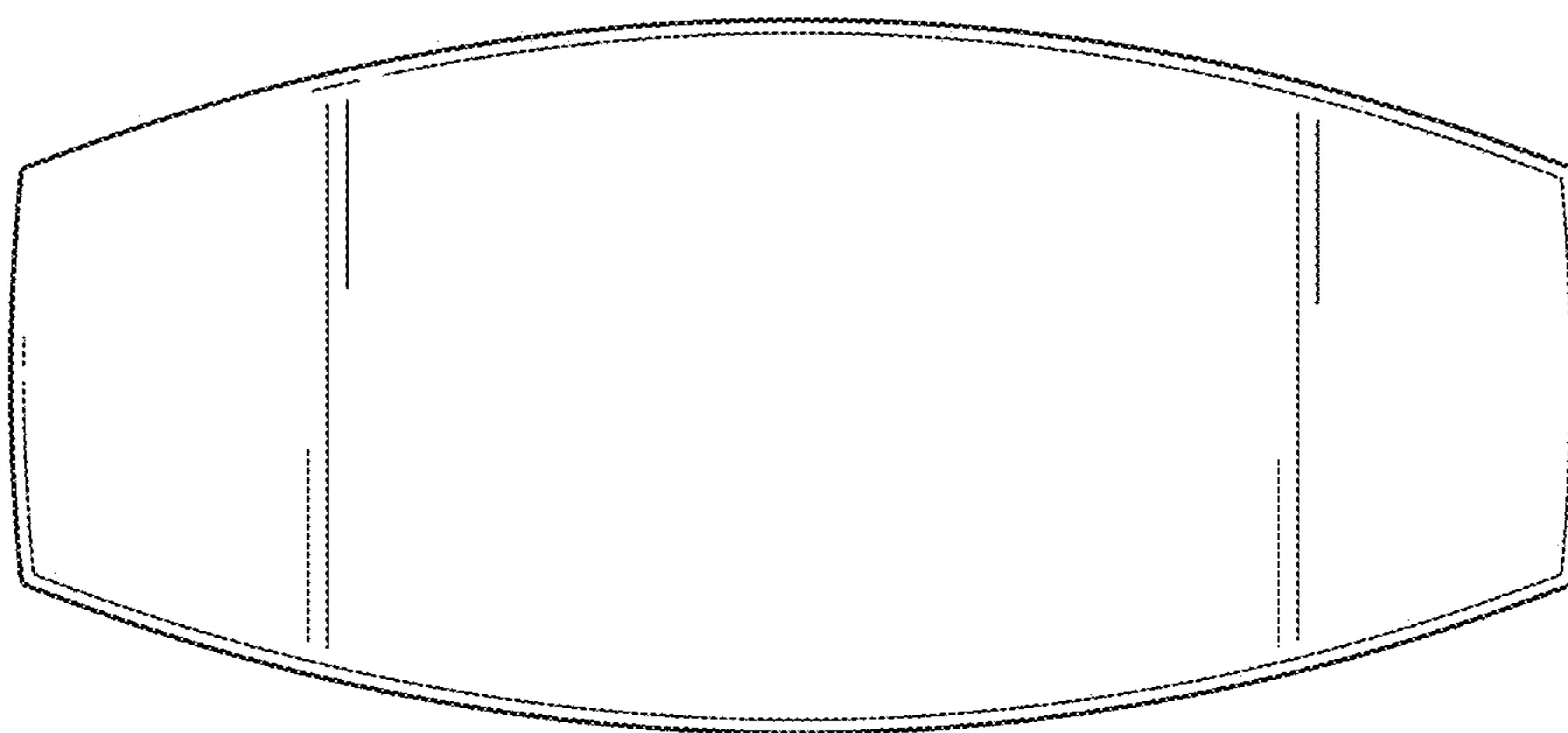


FIG. 6

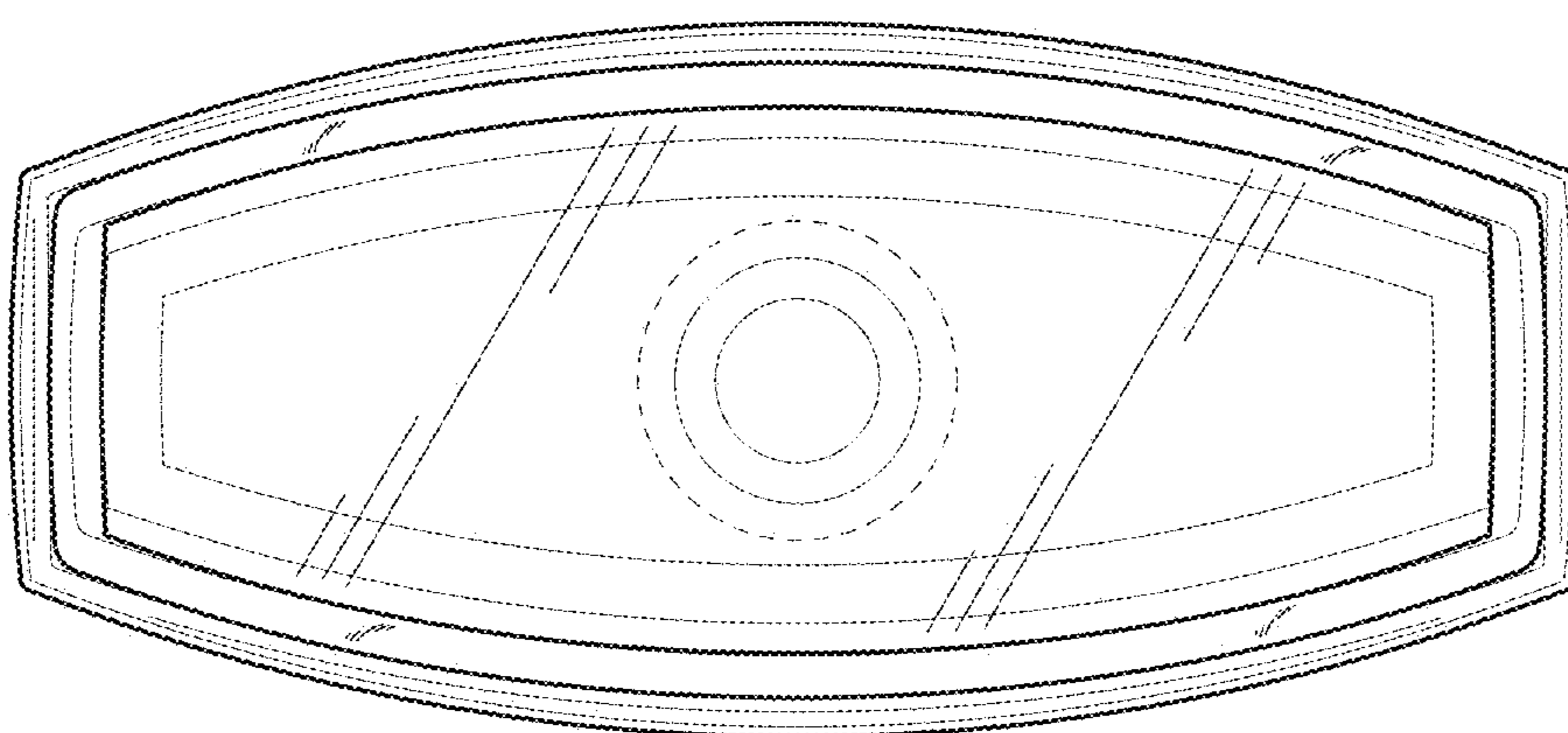


FIG. 7

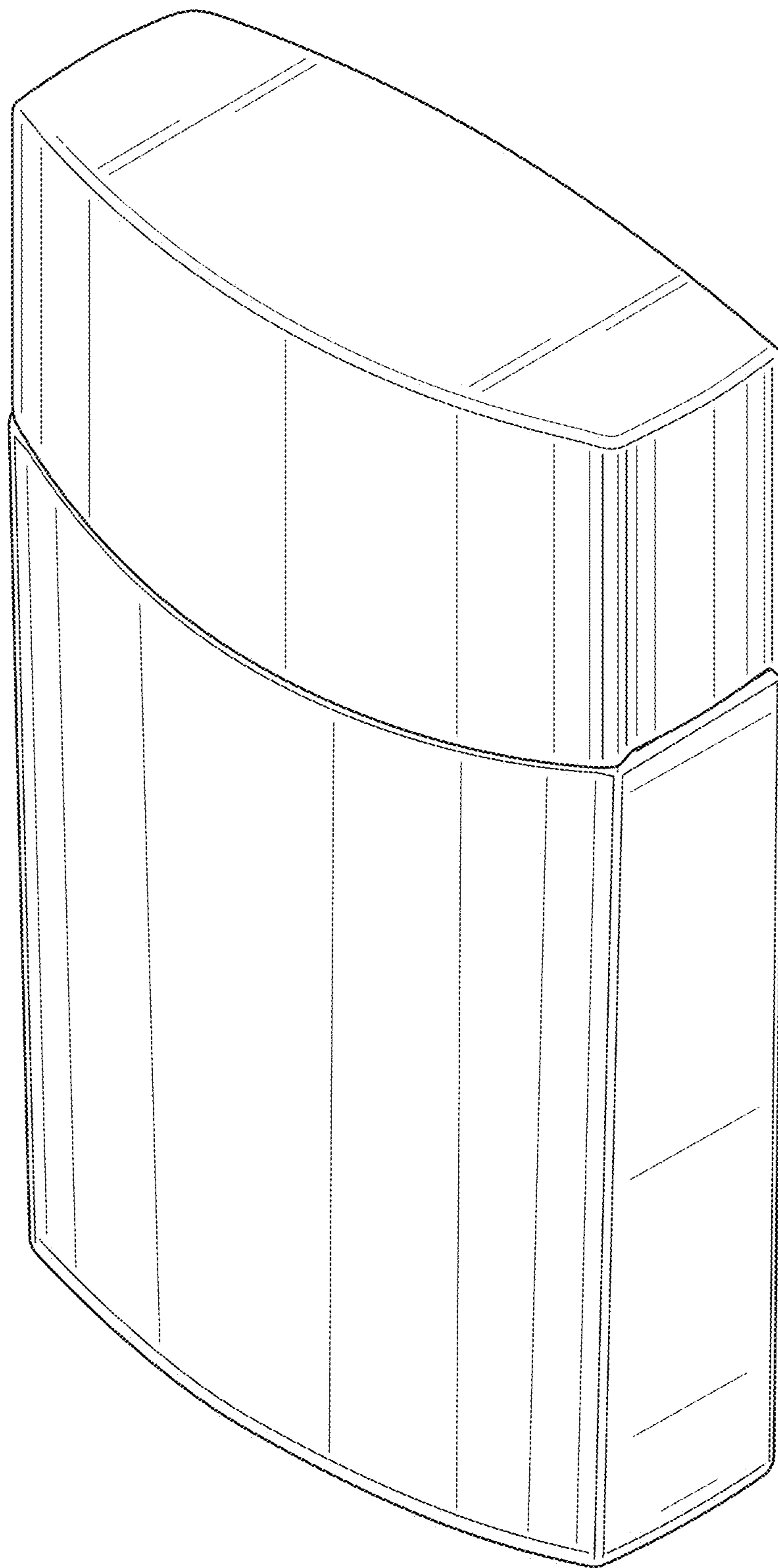


FIG. 8

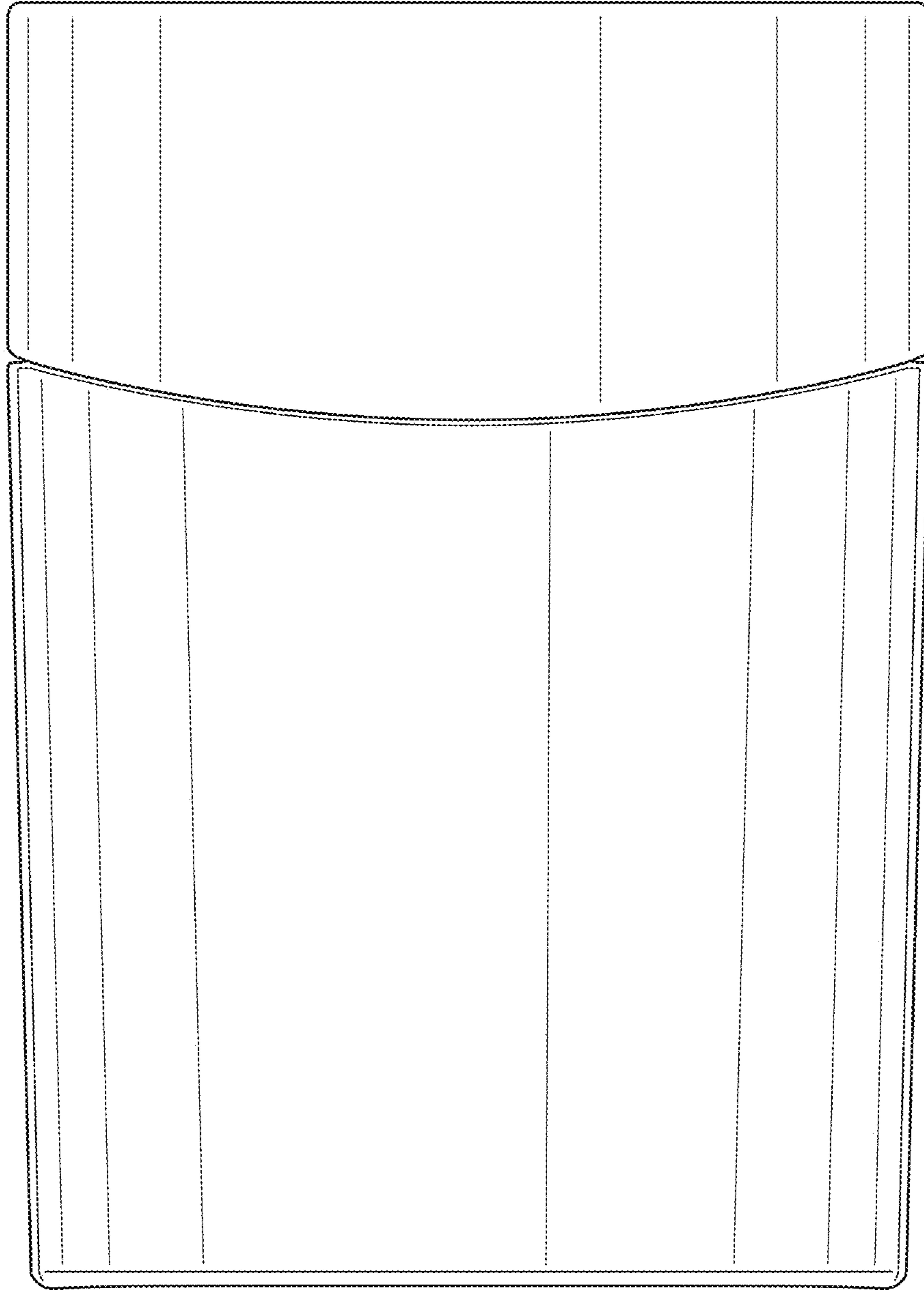


FIG. 9

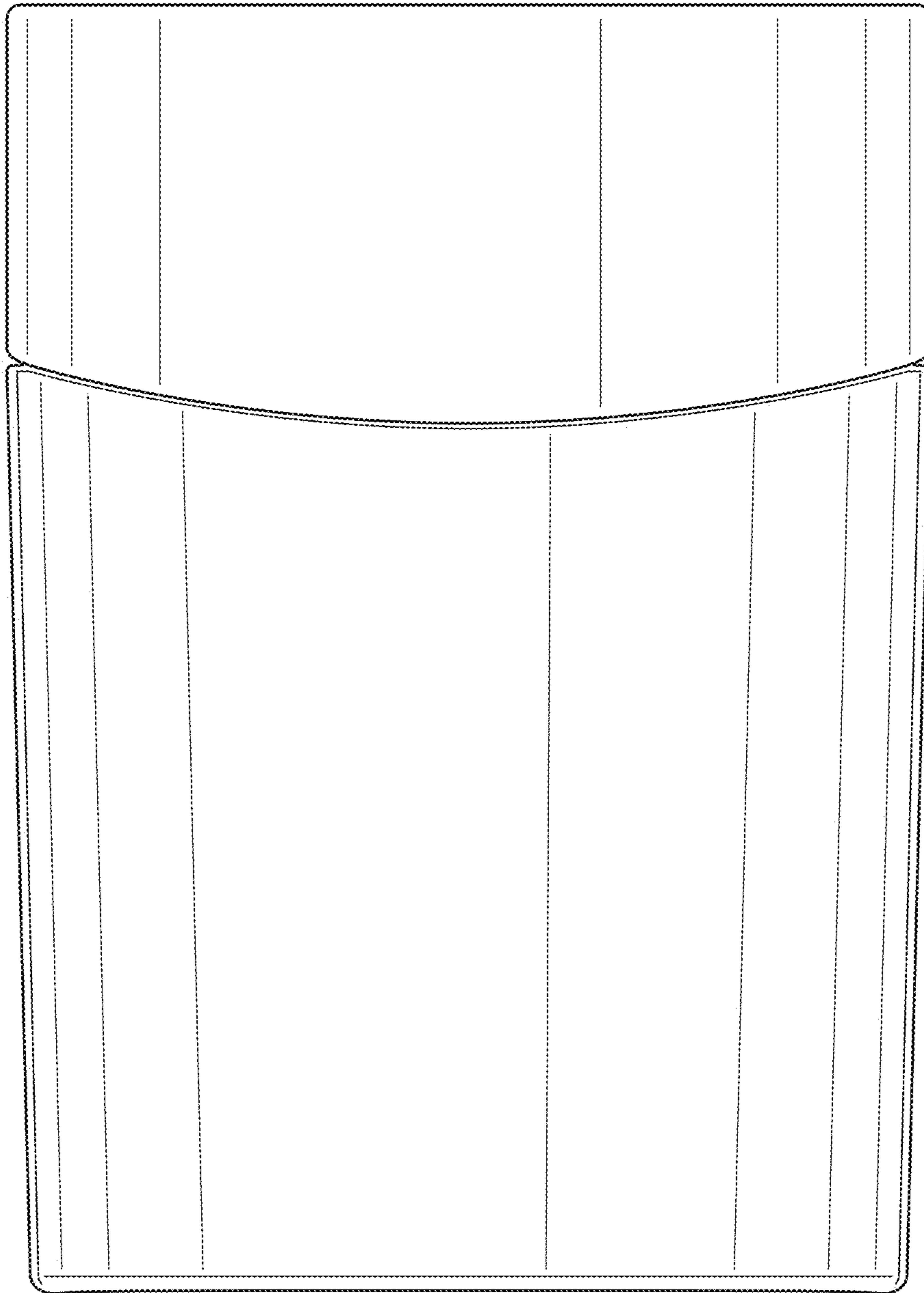


FIG. 10

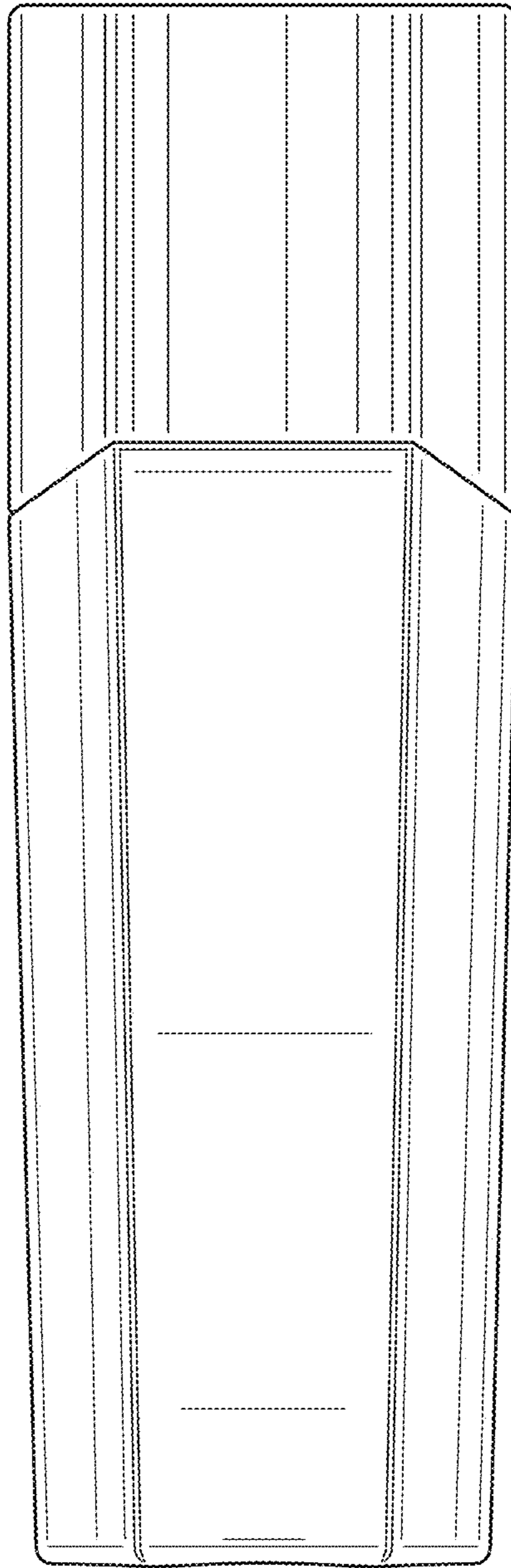


FIG. 11

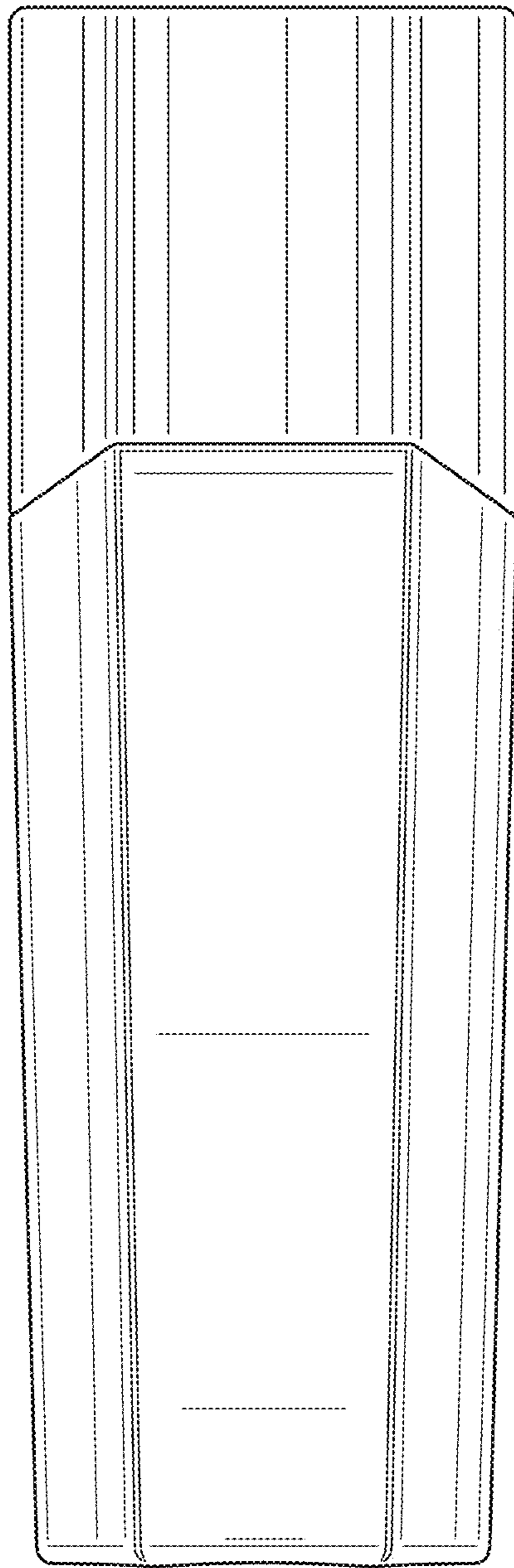


FIG. 12

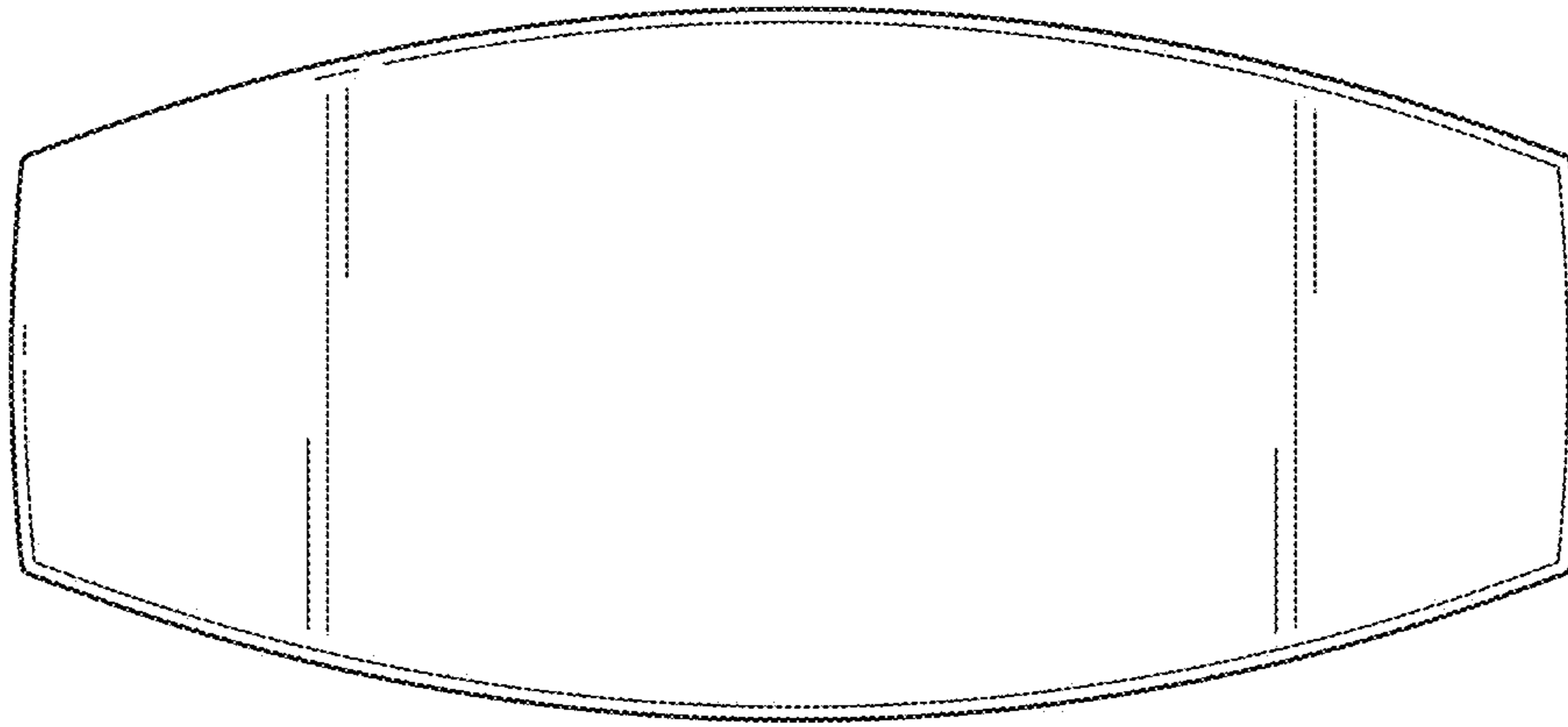


FIG. 13

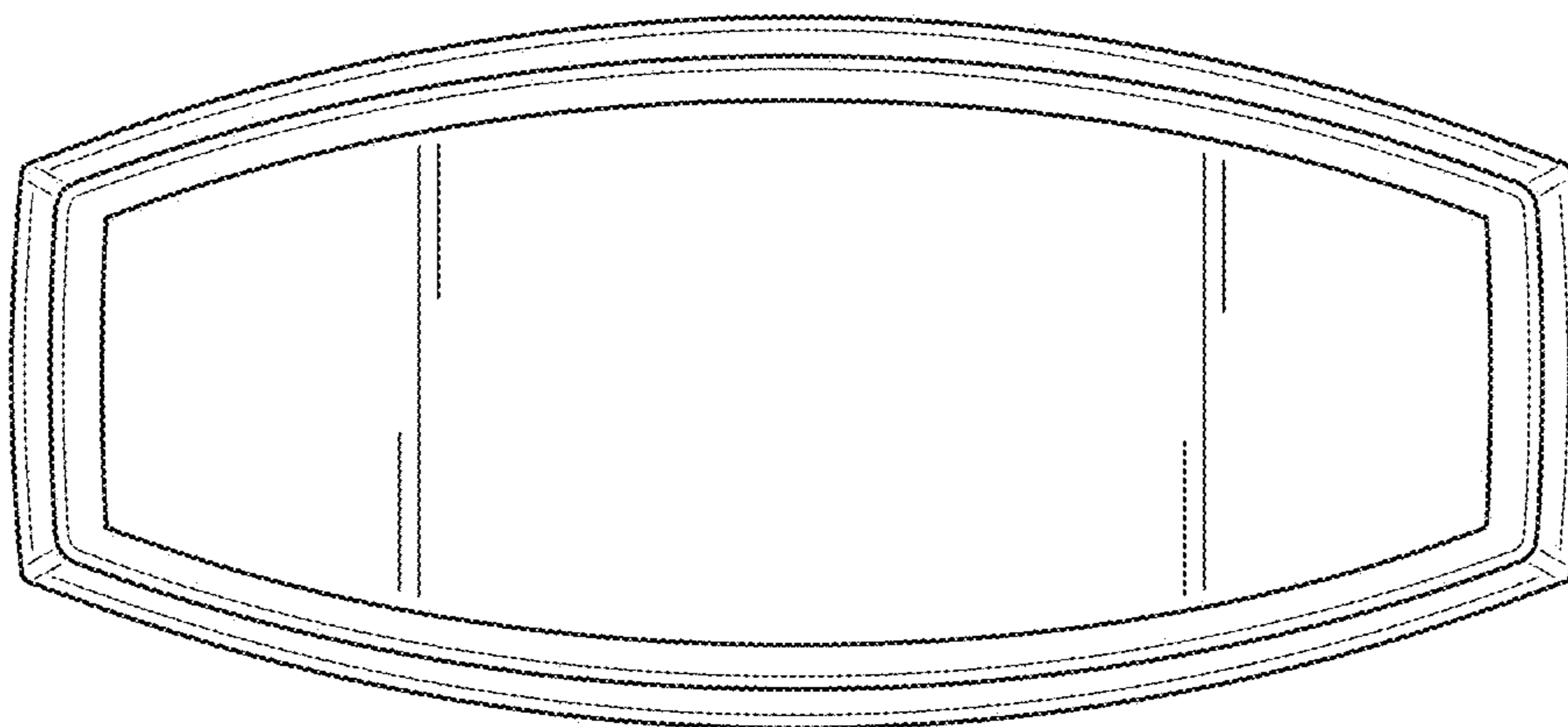


FIG. 14