



US00D732391S

(12) **United States Design Patent**
Toribio et al.

(10) **Patent No.:** **US D732,391 S**
(45) **Date of Patent:** **** Jun. 23, 2015**

(54) **CONTAINER WITH RIBBED NECK**

(75) Inventors: **Anthony Toribio**, Duluth, GA (US);
Randal D. Porter, Norcross, GA (US);
William J. Peek, Lawrenceville, GA
(US)

(73) Assignee: **Silgan Plastics LLC**, Chesterfield, MO
(US)

(**) Term: **14 Years**

(21) Appl. No.: **29/413,097**

(22) Filed: **Feb. 10, 2012**

(51) **LOC (10) Cl.** **09-01**

(52) **U.S. Cl.**
USPC **D9/516**

(58) **Field of Classification Search**
USPC D9/516, 500, 521, 529–530, 542,
D9/574–575, 435; 215/379, 381–384, 44;
220/660, 662, 669, 675
See application file for complete search history.

(56) **References Cited**

U.S. PATENT DOCUMENTS

2,352,066	A *	6/1944	Apfelbaum	206/536
2,423,582	A	7/1947	Coleman		
2,790,576	A	4/1957	Lawrence		
D192,942	S *	5/1962	Du Pree	D9/544
3,295,708	A	1/1967	Wathen, Jr.		
D207,134	S *	3/1967	Kobernick	D24/224
D269,595	S *	7/1983	Murray	D9/574
D285,904	S *	9/1986	Holmstedt	D9/574 X
4,922,684	A *	5/1990	Nelson	53/314
4,934,547	A	6/1990	Mayes et al.		
D355,606	S *	2/1995	Manera	D9/546
D360,582	S *	7/1995	McDonald et al.	D9/542 X
5,480,045	A *	1/1996	Molinaro et al.	215/256
5,553,727	A *	9/1996	Molinaro	215/44
5,560,504	A *	10/1996	Molinaro	215/256
5,642,825	A *	7/1997	Wohlgemuth	215/256
5,685,445	A *	11/1997	Dobbs	215/330

5,718,348	A *	2/1998	Manera	215/249
5,775,528	A *	7/1998	Wohlgemuth et al.	215/256
5,829,613	A *	11/1998	Wohlgemuth et al.	215/256
5,860,545	A *	1/1999	Bartsch	215/256
5,881,907	A *	3/1999	Schutz	220/644
5,967,352	A *	10/1999	Repp et al.	215/256
6,082,565	A *	7/2000	Harrold	215/218
D429,629	S *	8/2000	Kuzma et al.	D9/682
RE37,243	E *	6/2001	Molinaro et al.	215/256
6,296,130	B1 *	10/2001	Forsyth et al.	215/219
6,382,445	B1 *	5/2002	McCandless	215/341
D460,357	S	7/2002	Kras et al.		
6,648,157	B2	11/2003	Shai et al.		
6,659,297	B2 *	12/2003	Gregory et al.	215/252
7,051,491	B2 *	5/2006	Wohlgemuth et al.	53/366
D542,654	S	5/2007	Szczesniak		
D542,655	S	5/2007	Szczesniak		
D542,656	S	5/2007	Szczesniak		
D544,348	S	6/2007	Szczesniak		
D571,665	S *	6/2008	Sanders	D9/517

(Continued)

Primary Examiner — Carol P Rademaker

(74) *Attorney, Agent, or Firm* — Reinhart Boerner Van
Deuren s.c.

(57) **CLAIM**

We claim the ornamental design for a container with ribbed neck, as shown and described.

DESCRIPTION

FIG. 1 is a top, front, right side perspective view of a container with ribbed neck;

FIG. 2 is a front elevational view thereof;

FIG. 3 is a right side elevational view thereof;

FIG. 4 is a rear elevational view thereof;

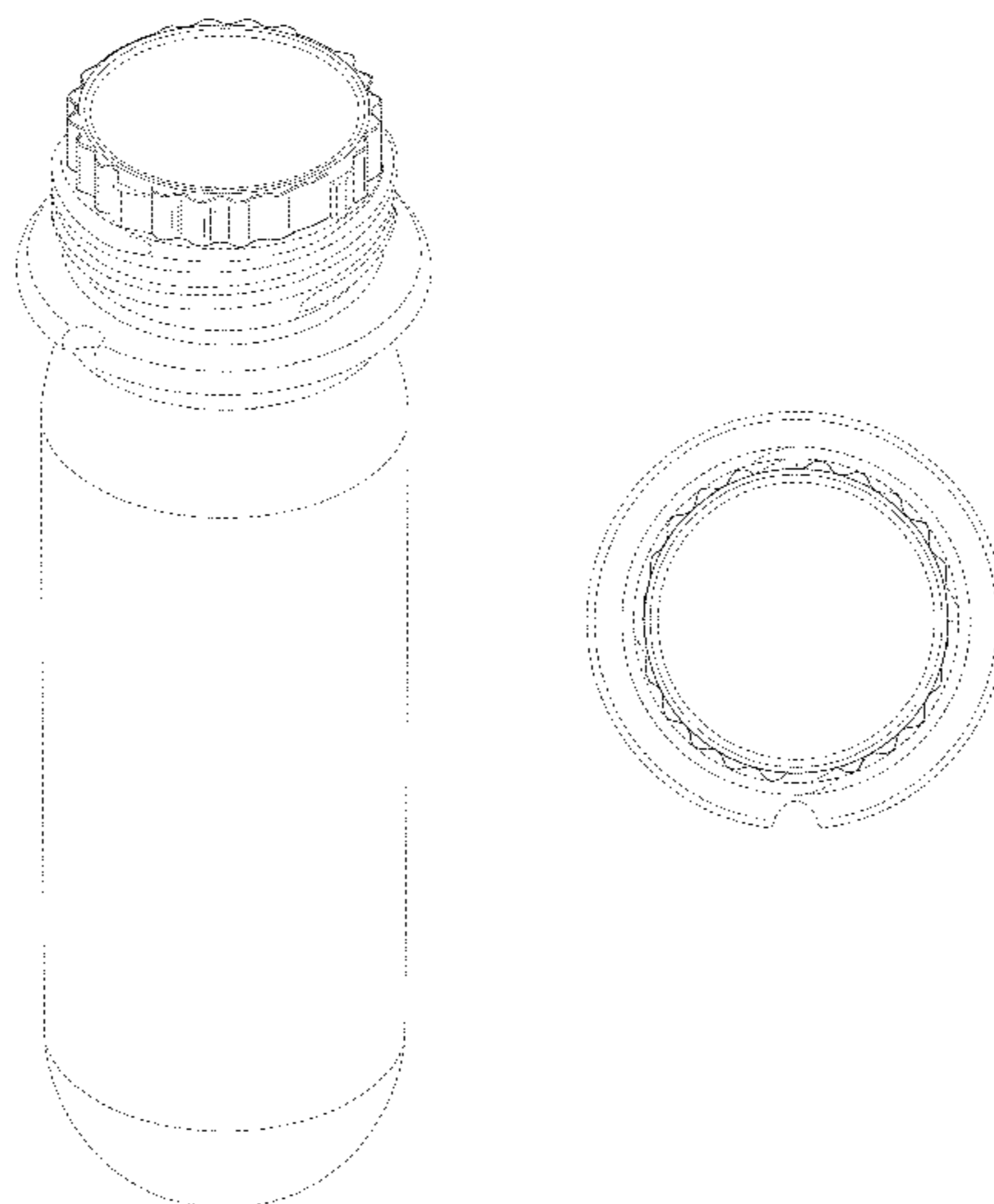
FIG. 5 is a left side elevational view thereof;

FIG. 6 is a top plan view thereof; and,

FIG. 7 is a bottom plan view thereof.

The broken lines shown in the drawing views are included for the purpose of illustrating environmental structure and form no part of the claimed design.

1 Claim, 6 Drawing Sheets



(56)

References Cited

U.S. PATENT DOCUMENTS

D633,386 S 3/2011 Taber et al.
 D634,199 S 3/2011 Taber et al.
 D640,935 S * 7/2011 Davies et al. D9/453 X
 7,976,767 B2 7/2011 Ungrady et al.
 D644,536 S * 9/2011 Witz et al. D9/740
 D664,165 S * 7/2012 Witz D15/136
 D670,858 S * 11/2012 Fakhouri et al. D27/189
 D677,832 S * 3/2013 Fastuca D27/189
 D702,743 S * 4/2014 Witz D15/136
 8,807,360 B2 * 8/2014 Erspamer et al. 215/252
 2002/0022099 A1 * 2/2002 Schmidt et al. 428/35.7
 2002/0090473 A1 * 7/2002 Lee et al. 428/35.7
 2003/0012904 A1 * 1/2003 Hutchinson et al. 428/35.7

2003/0138578 A1 * 7/2003 Schmidt et al. 428/35.7
 2003/0219555 A1 * 11/2003 Hutchinson et al. 428/35.7
 2004/0011825 A1 * 1/2004 McLelland et al. 222/465.1
 2004/0140284 A1 * 7/2004 Taylor et al. 215/42
 2004/0161558 A1 * 8/2004 Gamel et al. 428/35.7
 2006/0283896 A1 * 12/2006 Kasting 222/549
 2007/0034590 A1 * 2/2007 Hidding 215/252
 2009/0223920 A1 * 9/2009 Patel et al. 215/45
 2010/0307633 A1 * 12/2010 Dierickx 220/602 X
 2011/0290754 A1 12/2011 Taber et al.
 2011/0290755 A1 12/2011 Taber et al.
 2012/0312769 A1 * 12/2012 Prozumenschikov 215/252
 2013/0071592 A1 * 3/2013 Liu et al. 428/36.4
 2013/0206718 A1 * 8/2013 Toribio et al. 215/42
 2014/0263149 A1 * 9/2014 Berge et al. 215/44

* cited by examiner

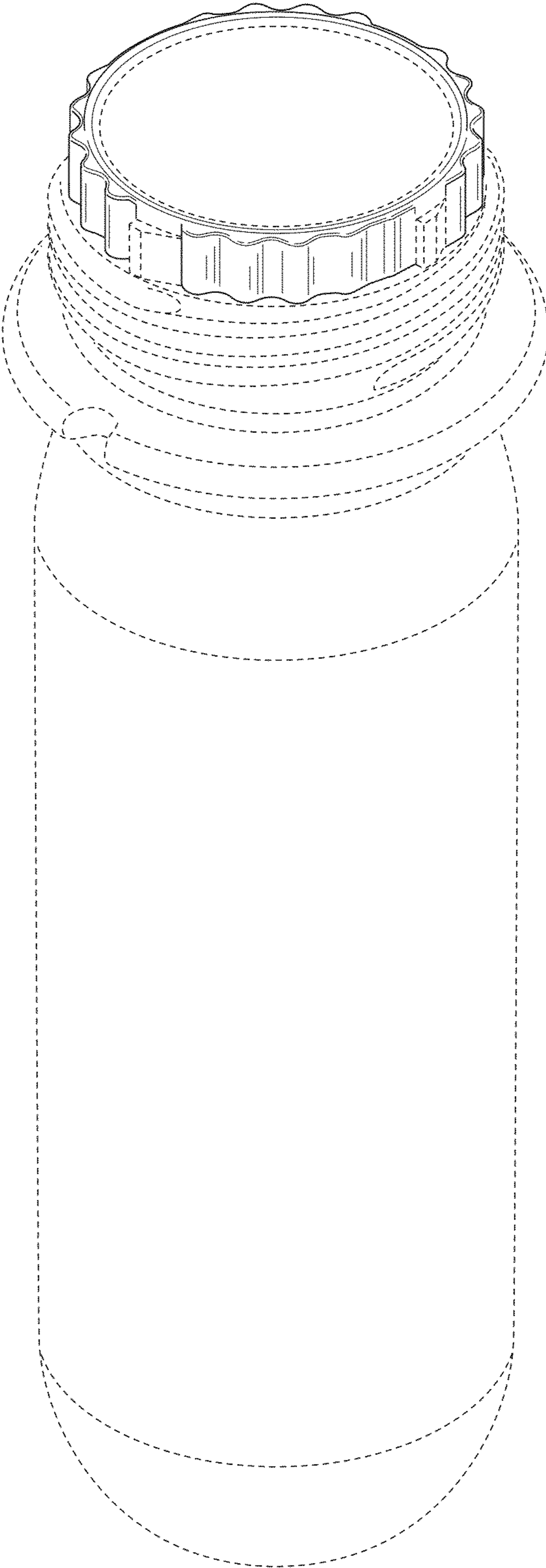


FIG. 1



FIG. 2

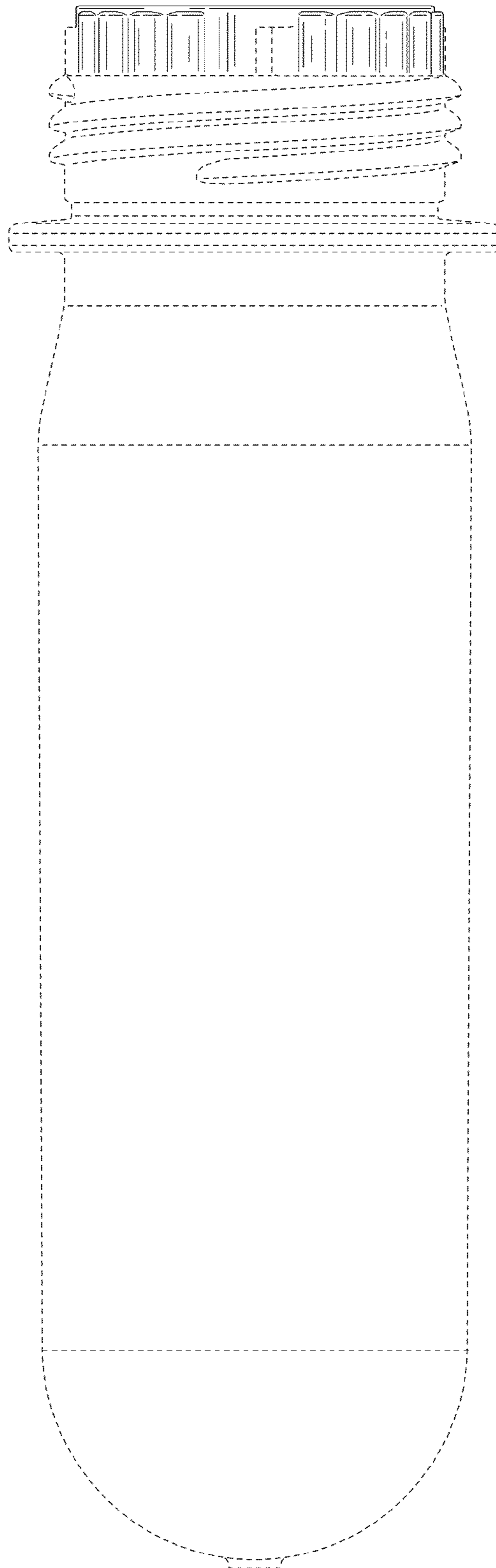


FIG. 3



FIG. 4

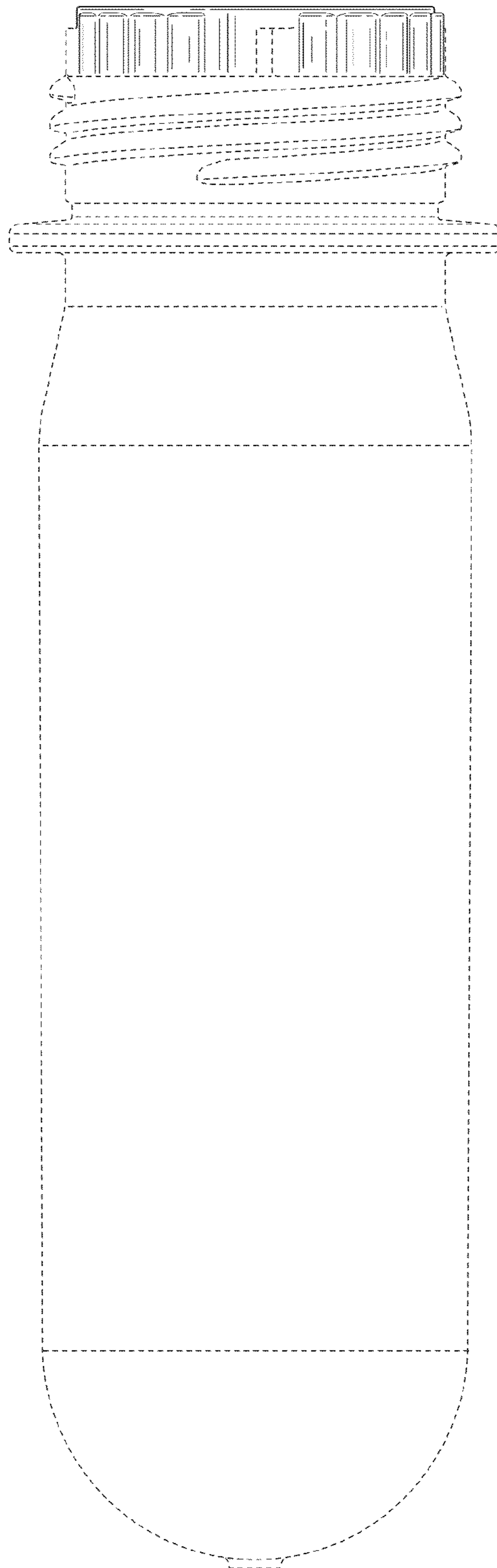


FIG. 5

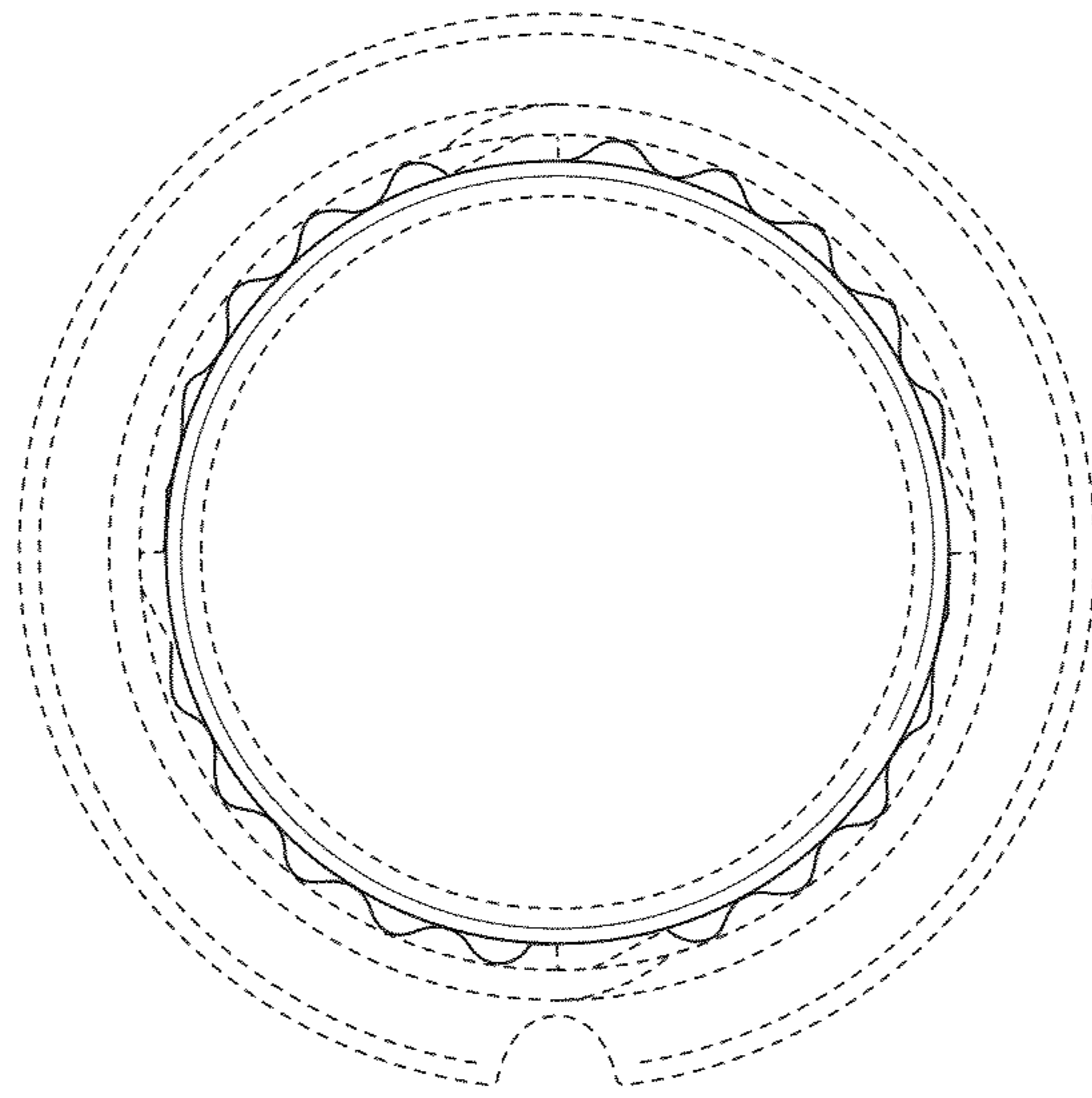


FIG. 6

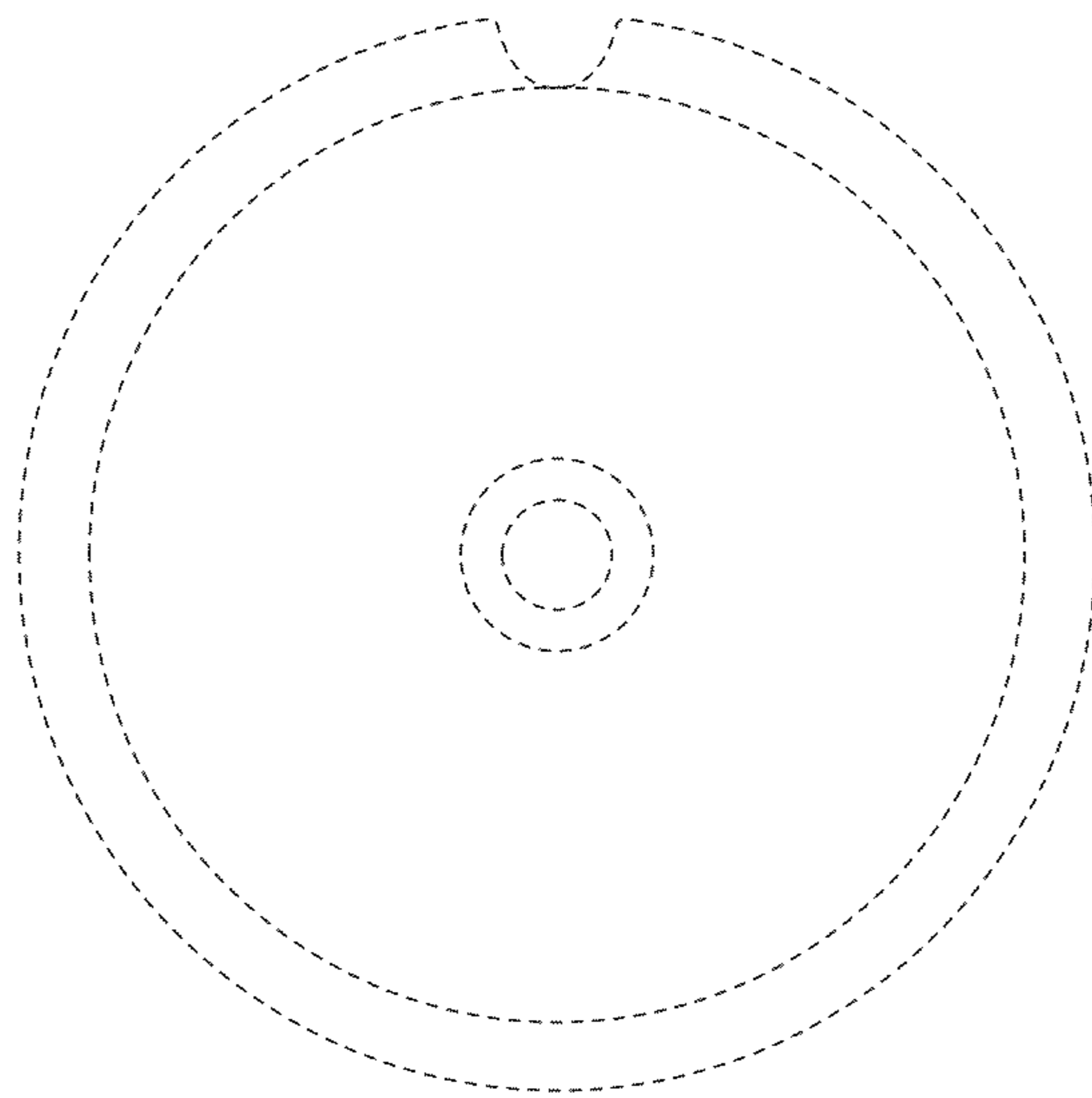


FIG. 7