

US00D732389S

(12) **United States Design Patent**
Nickel et al.

(10) **Patent No.:** **US D732,389 S**
(45) **Date of Patent:** **** Jun. 23, 2015**

- (54) **CAP**
- (75) Inventors: **Dirk K. Nickel**, Mukwonago, WI (US);
Christopher R. Sheridan, Racine, WI (US)
- (73) Assignee: **S.C. Johnson & Son, Inc.**, Racine, WI (US)
- (**) Term: **14 Years**
- (21) Appl. No.: **29/428,488**
- (22) Filed: **Jul. 31, 2012**
- (51) **LOC (10) Cl.** **09-07**
- (52) **U.S. Cl.**
USPC **D9/453**
- (58) **Field of Classification Search**
USPC D9/435, 442, 443, 447, 453, 516, 521,
D9/522, 541, 556, 557, 558, 559, 560, 697,
D9/698, 699; D11/218, 216, 215;
D24/119, 127, 172, 100; 222/92, 95,
222/96, 107, 212, 215, 386, 490, 531, 536
CPC B65D 47/243; B65D 51/18; B65D 41/62
See application file for complete search history.

D336,430 S *	6/1993	Maguire et al.	D9/448
5,222,186 A *	6/1993	Schimanski et al.	
D343,791 S *	2/1994	Pitaknarongphorn	D9/724
D358,295 S *	5/1995	Moench	D7/398
5,647,053 A *	7/1997	Schroeder et al.	
5,940,577 A *	8/1999	Steinel	
D423,358 S *	4/2000	Kreiseder	D9/449
D426,068 S *	6/2000	An	D4/116
6,446,384 B2	9/2002	Pedrotti et al.	
6,487,367 B2	11/2002	Vieira	
6,501,906 B2	12/2002	Vieira	
D470,052 S *	2/2003	Klutts	D9/447
D471,821 S *	3/2003	McMahon et al.	D9/543
6,563,091 B2	5/2003	Vieira	
6,594,445 B2	7/2003	Basaganas Millan	
D490,315 S *	5/2004	Kiser	D9/445
6,782,194 B2	8/2004	Schneiderbauer	
6,859,615 B2	2/2005	Yip et al.	
6,909,840 B2	6/2005	Harwig et al.	
7,014,818 B2	3/2006	Rymer	

(Continued)

Primary Examiner — Ian Simmons
Assistant Examiner — Rashida C McCoy

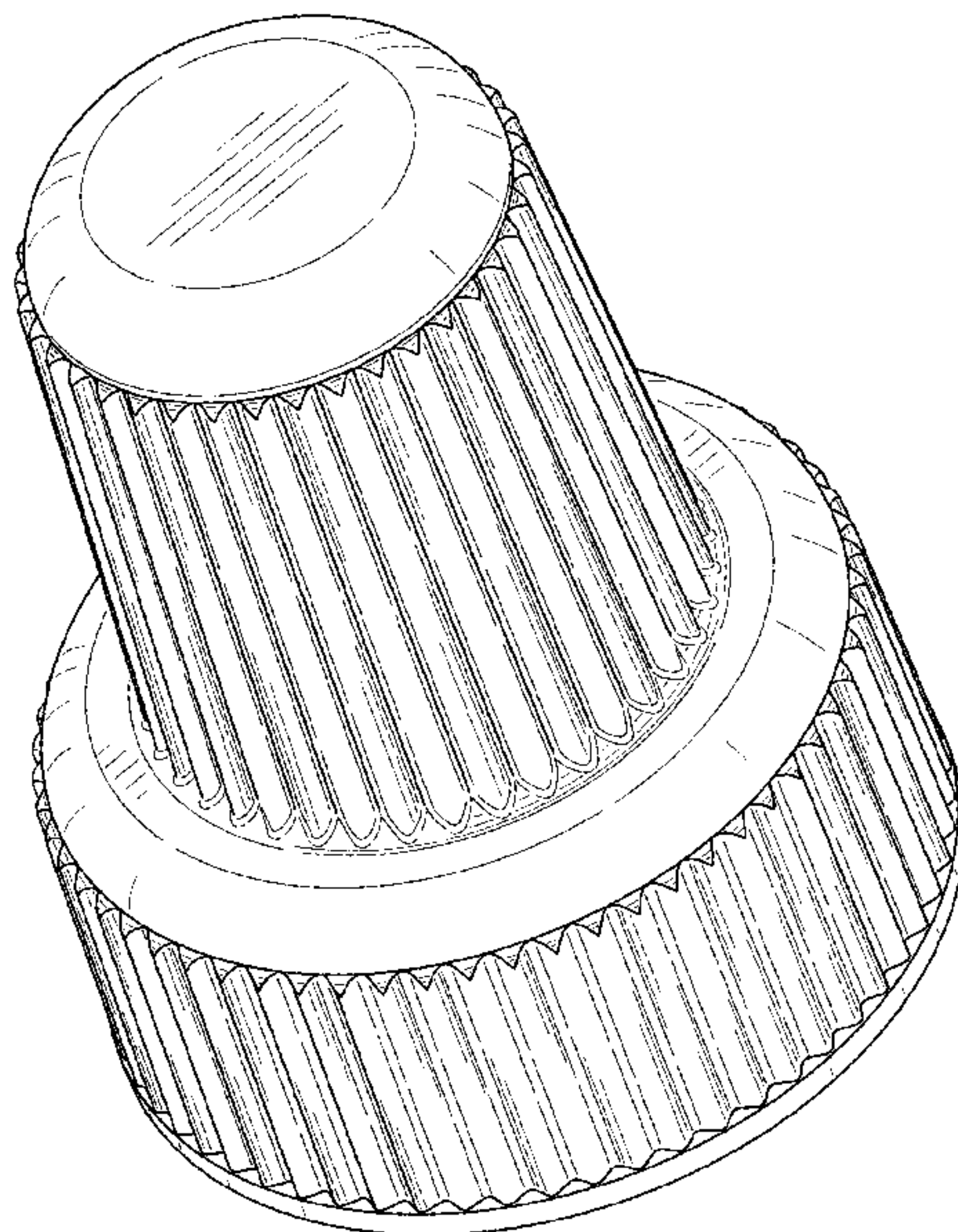
(57) **CLAIM**
The ornamental design for a cap, as shown and described.

DESCRIPTION

FIG. 1 is a top isometric view of an ornamental design for a cap;
FIG. 2 is a front elevational view of the cap of FIG. 1, wherein a rear elevational view of the cap is identical to the front elevational view;
FIG. 3 is a top plan view of the cap of FIG. 1; and,
FIG. 4 is a bottom elevational view of the cap of FIG. 1.
The broken lines in the drawings depict environmental subject matter only and form no part of the claimed design. Further, the bottom elevational view of FIG. 4 forms no part of the claimed design.

1 Claim, 3 Drawing Sheets

- (56) **References Cited**
U.S. PATENT DOCUMENTS
- D136,452 S * 10/1943 Trump D9/449
- 3,027,035 A * 3/1962 Farago 215/219
- 3,288,556 A 11/1966 Weber, III
- 3,601,274 A * 8/1971 Johnson 215/221
- 3,892,325 A * 7/1975 Maguire 215/219
- 4,251,714 A 2/1981 Zobeles
- D275,454 S * 9/1984 Mitchell D9/724
- 4,771,563 A 9/1988 Easley
- 4,874,924 A 10/1989 Yamamoto et al.
- D314,702 S * 2/1991 Gonzalez D9/667
- D317,715 S * 6/1991 Bauwens D9/697
- 5,038,394 A 8/1991 Hasegawa et al.



(56)

References Cited

U.S. PATENT DOCUMENTS

			7,519,279 B2	4/2009	Zobebe	
			7,962,017 B2	6/2011	Viera	
			D693,682 S *	11/2013	Bahri et al.	D9/453
D531,900 S *	11/2006	Mavin et al.				D9/447
7,167,641 B2	1/2007	Tam et al.				

* cited by examiner

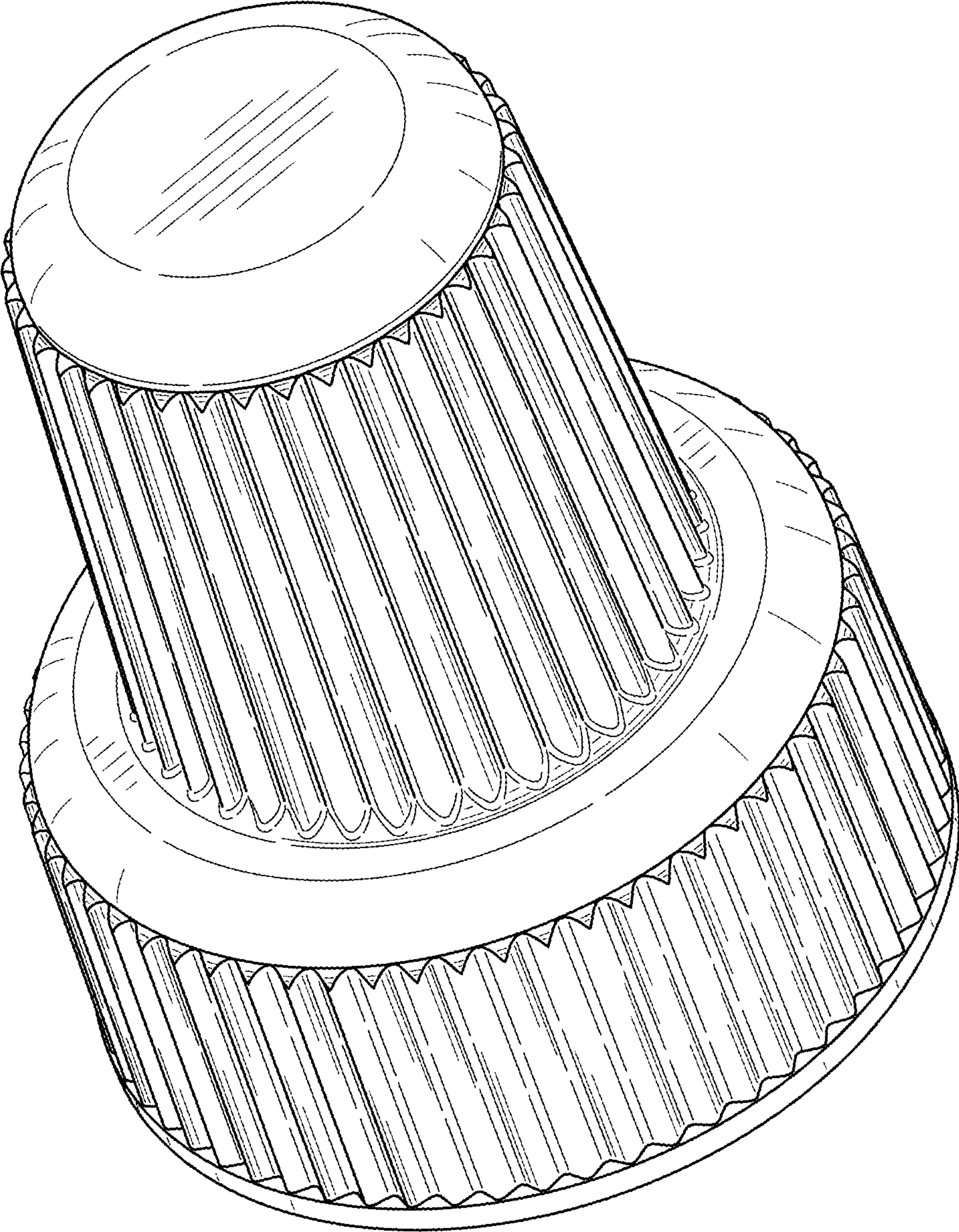


FIG. 1

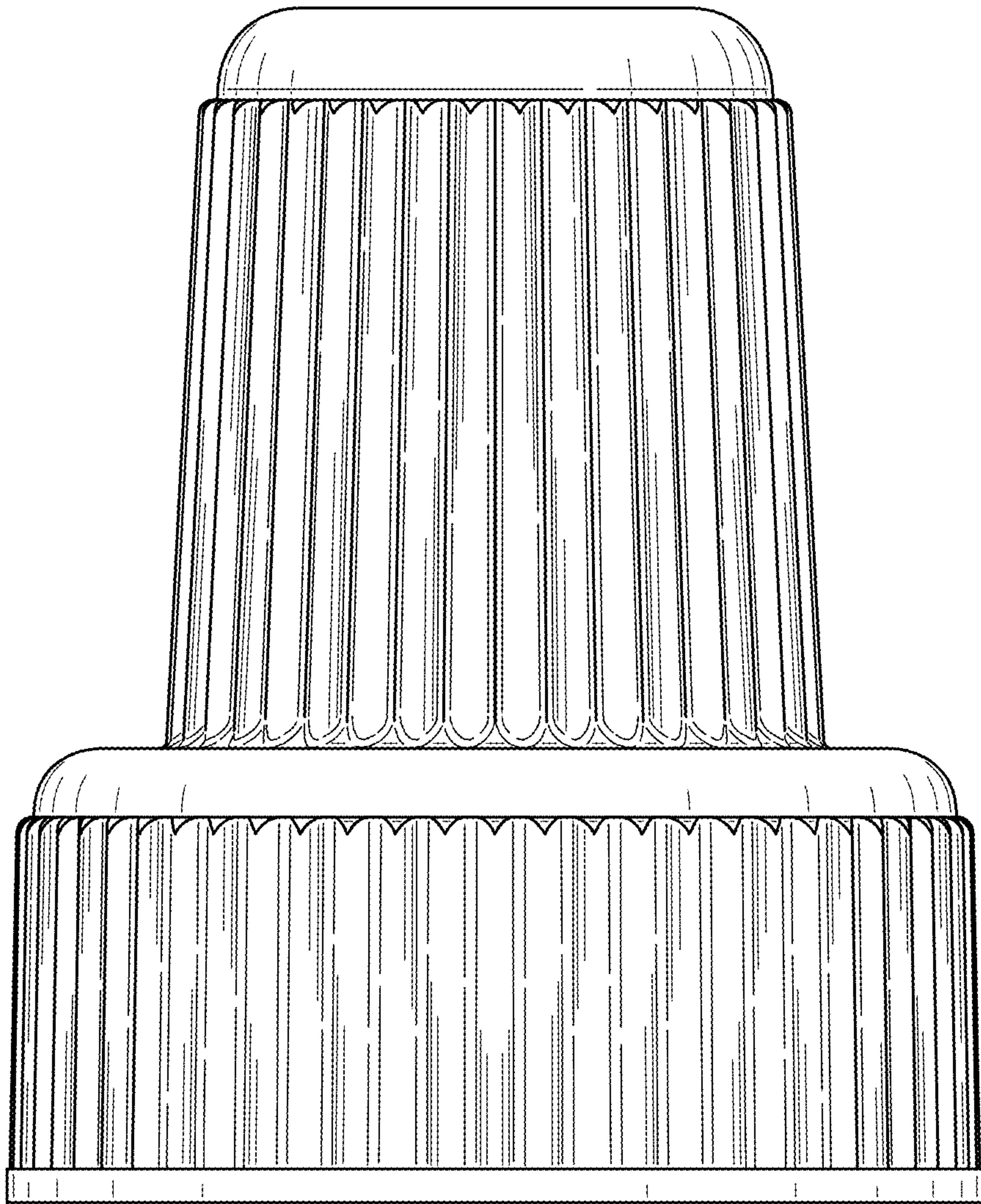


FIG. 2

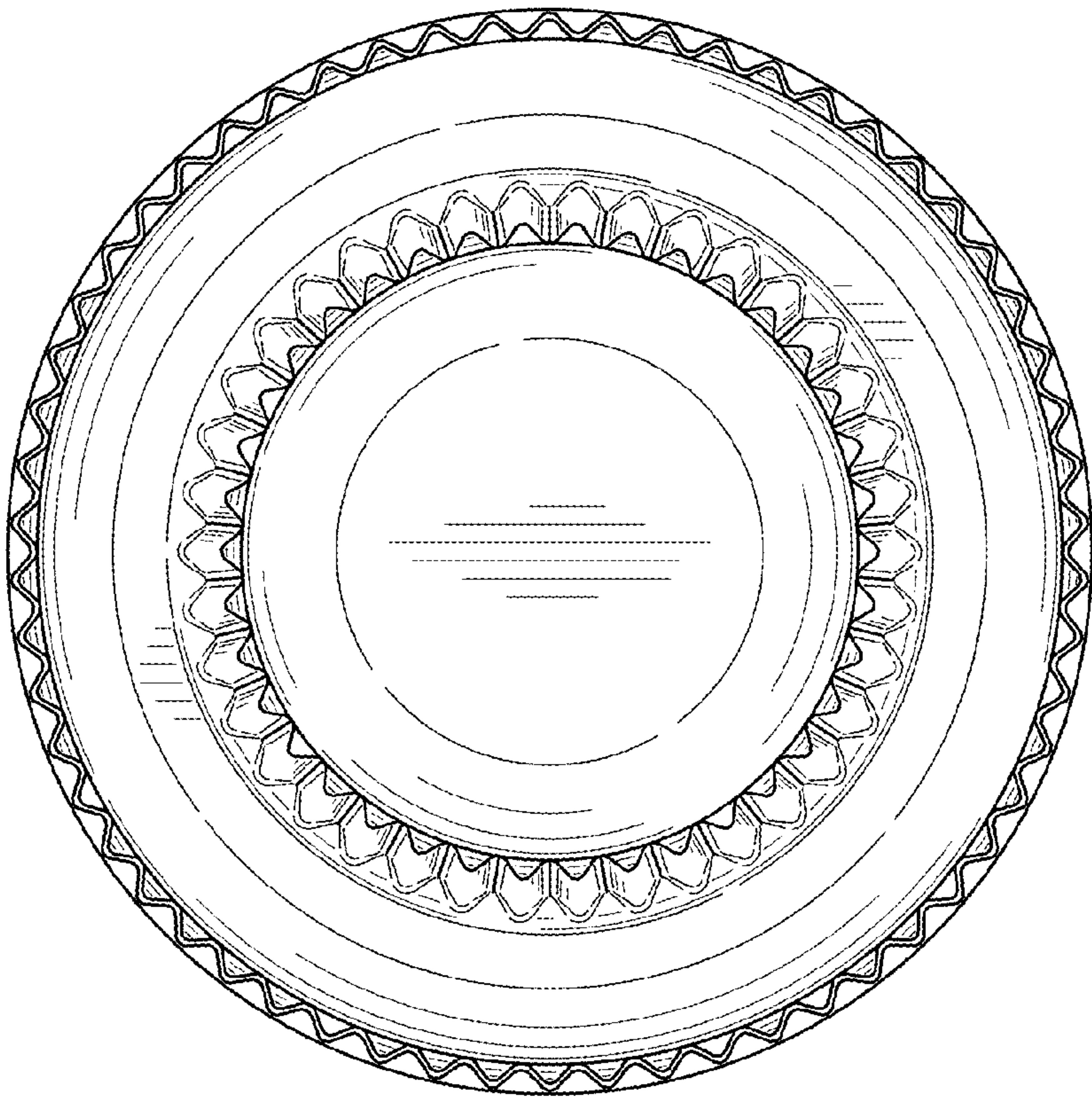


FIG. 3

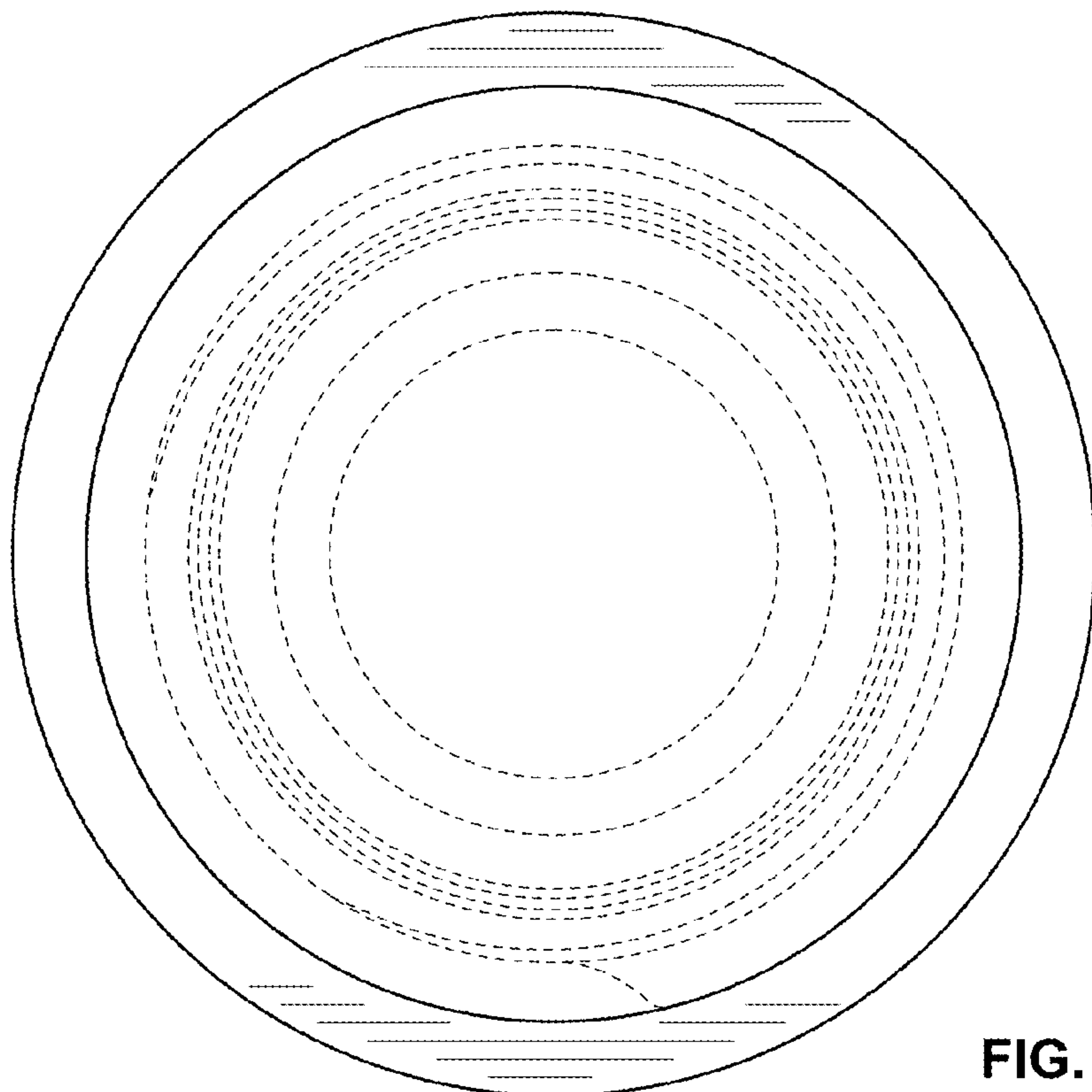


FIG. 4