

US00D732386S

(12) **United States Design Patent**
Paton et al.

(10) **Patent No.:** **US D732,386 S**
(45) **Date of Patent:** **** Jun. 23, 2015**

(54) **CAPSULE**

(71) Applicant: **Conopco, Inc.**, Englewood Cliffs, NJ
(US)

(72) Inventors: **Michael Paton**, Royston (GB); **Daniel Thomas Toon**, Epping (GB)

(73) Assignee: **Conopco, Inc.**, Englewood Cliffs, NJ
(US)

(**) Term: **14 Years**

(21) Appl. No.: **29/466,849**

(22) Filed: **Sep. 12, 2013**

(30) **Foreign Application Priority Data**

Mar. 21, 2013 (EM) 002206326-0001
Mar. 21, 2013 (EM) 002206326-0002

(51) **LOC (10) Cl.** **09-03**

(52) **U.S. Cl.**
USPC **D9/428**

(58) **Field of Classification Search**
USPC D9/414, 415, 416, 417, 419, 421, 424,
D9/425, 428, 429; D7/318, 319, 619.1,
D7/629; 229/400-406, 906.1;
220/656-659, 669-675, 912,
220/4.21-4.27; 206/553, 557, 541, 775,
206/776, 217
CPC A47J 36/06; A47J 47/14; B65D 1/165;
B65D 15/08; B65D 21/083; B65D 21/0234;
B65D 43/162; B65D 71/50; B65D 77/24;
B65D 81/3869; B65D 2543/00046; B65D
2543/00055; B65D 2543/00083; B65D
2543/00092; B65D 2543/00296

See application file for complete search history.

(56) **References Cited**

U.S. PATENT DOCUMENTS

4,136,202 A 1/1979 Favre
5,619,904 A 4/1997 Di Nunzio
5,813,317 A 9/1998 Chang
5,947,004 A 9/1999 Huang
D425,416 S * 5/2000 Denham et al. D9/416
D436,532 S * 1/2001 Richardson D9/428
D438,103 S * 2/2001 Edwards et al. D9/415
D445,674 S * 7/2001 Pritchett D9/707
D462,900 S * 9/2002 Yamada et al. D9/707
D495,189 S 8/2004 Cahen
D539,643 S * 4/2007 Abel D9/424
D540,608 S 4/2007 Cahen
D549,361 S 8/2007 To et al.

(Continued)

FOREIGN PATENT DOCUMENTS

CN 2636781 9/2004
DE 202012104474 1/2013

(Continued)

OTHER PUBLICATIONS

CBTL Caffitaly, ECaffe Capsules, 2013, 1 p.

(Continued)

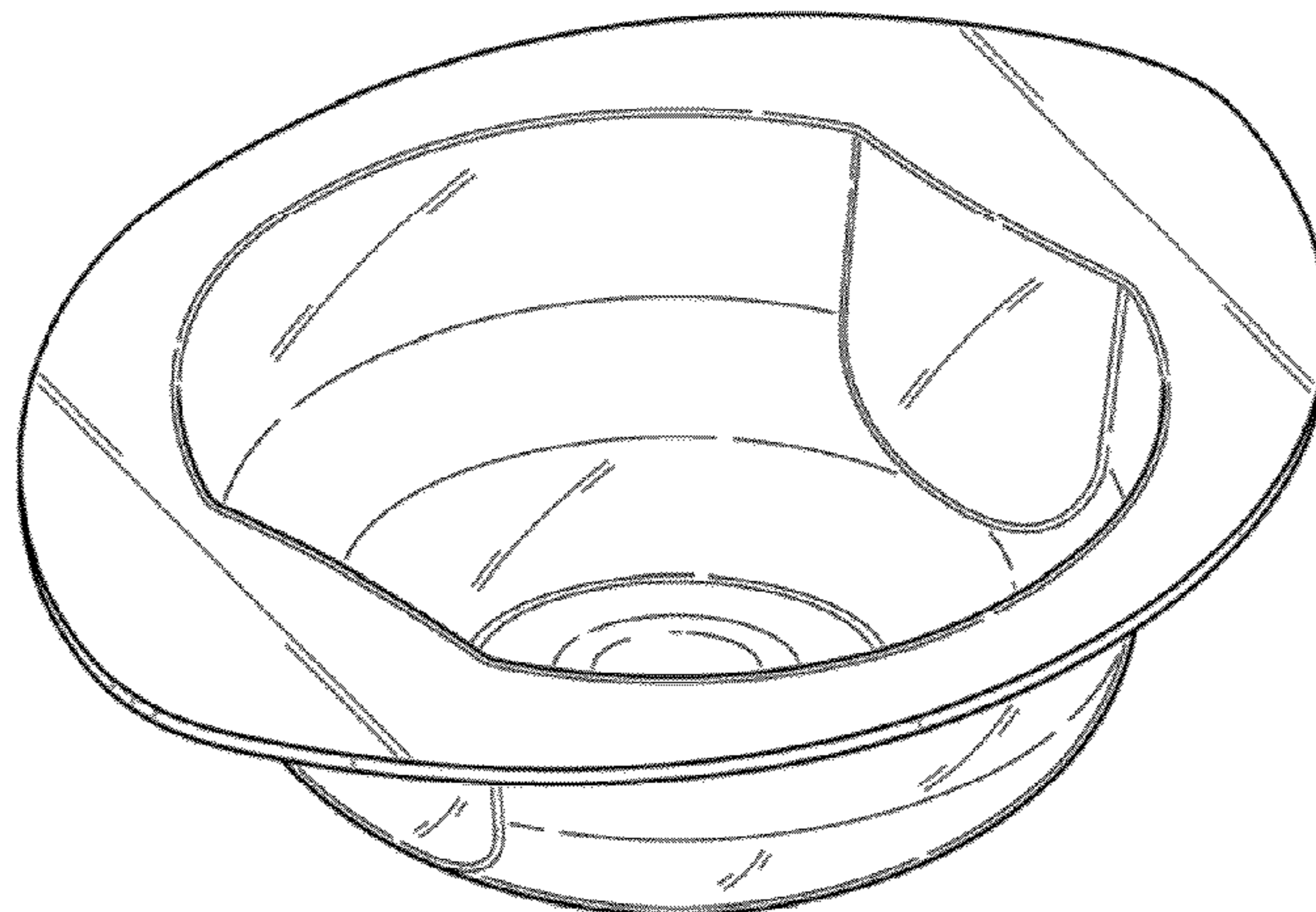
Primary Examiner — Karen S Acker
Assistant Examiner — Wendy Arminio
(74) *Attorney, Agent, or Firm* — Ellen Plotkin

(57) **CLAIM**
An ornamental design for a capsule, as shown and described.

DESCRIPTION

FIG. 1 is a perspective view of the top, front and side of a capsule thereof;
FIG. 2 is a front view thereof;
FIG. 3 is a back view thereof;
FIG. 4 is a left side view thereof;
FIG. 5 is a right side view thereof;
FIG. 6 is a top plan view thereof; and,
FIG. 7 is a bottom plan view thereof.

1 Claim, 3 Drawing Sheets



(56)

References Cited

U.S. PATENT DOCUMENTS

D571,656	S	*	6/2008	Maslowski	D9/425
D602,303	S		10/2009	Cahen		
D624,785	S	*	10/2010	Rousselin	D7/398
D630,880	S		1/2011	Zimmermann		
D643,682	S		8/2011	Astthon		
8,010,050	B2		8/2011	Kennedy		
D649,392	S		11/2011	Cahen		
D666,451	S		9/2012	Cheng		
D670,539	S	*	11/2012	Starr et al.	D7/400
D672,188	S		12/2012	Luippold et al.		
D681,386	S		5/2013	Pininfarina		
D684,043	S	*	6/2013	Brown et al.	D9/424
D688,392	S		8/2013	Tsai		
D689,768	S	*	9/2013	Inderbitzin	D9/429
D694,620	S	*	12/2013	Hansen	D9/429
8,690,013	B2	*	4/2014	Kneer	222/92
D704,494	S		5/2014	Blanc		
8,820,974	B2		9/2014	Chang et al.		
D715,465	S		10/2014	Hasuo et al.		
2006/0065127	A1		3/2006	Dalton et al.		
2006/0174770	A1		8/2006	Jordana		
2013/0129872	A1		5/2013	Kruger		

FOREIGN PATENT DOCUMENTS

EP	0451980		3/1991		
EP	1654966		10/2004		
EP	1772081		10/2005		
EP	1658796	A3	5/2006		
EP	1772398	A1	10/2006		
EP	1922962		11/2006		
EP	1774878	A1	4/2007		
EP	2263501		12/2010		
EP	2243378	B1	6/2011		
EP	2476633		7/2012		

GB	2437483		4/2006		
WO	WO2007019993		2/2007		
WO	WO2007042485		4/2007		
WO	WO2007042486		4/2007		
WO	WO2008058576		5/2008		
WO	WO2008156283		12/2008		
WO	WO2009130311		10/2009		
WO	WO2010076263		7/2010		
WO	WO2011000723		1/2011		
WO	WO2011000724		1/2011		
WO	WO2011141532		11/2011		
WO	WO2012010317		1/2012		
WO	WO2013008012		1/2013		
WO	WO2012144885		10/2013		

OTHER PUBLICATIONS

Espresso Coffee Club Nespresso, Swiss Capsules, 2013, 1 p.
 Nespresso, Single Serve Capsules, 2013, 1 p.
 Co-pending application for Applicant Michael Paton et al.; U.S. Appl. No. 29/466,853, filed Sep. 12, 2013; entitled Capsule.
 Copending application for Cross et al., U.S. Appl. No. 14/408,617, filed Dec. 17, 2014.
 Copending application for Cross et al., U.S. Appl. No. 14/408,623, filed Dec. 17, 2014.
 Copending application for Bittar, U.S. Appl. No. 14/408,634, filed Dec. 17, 2014.
 Copending application for Cross et al., U.S. Appl. No. 14/408,624, filed Dec. 17, 2014.
 Copending application for Cross et al., U.S. Appl. No. 14/408,635, filed Dec. 17, 2014.
 Copending application for Cross et al., U.S. Appl. No. 14/408,639, filed Dec. 17, 2014.
 Copending application for Cross et al., U.S. Appl. No. 14/408,638, filed Dec. 17, 2014.

* cited by examiner

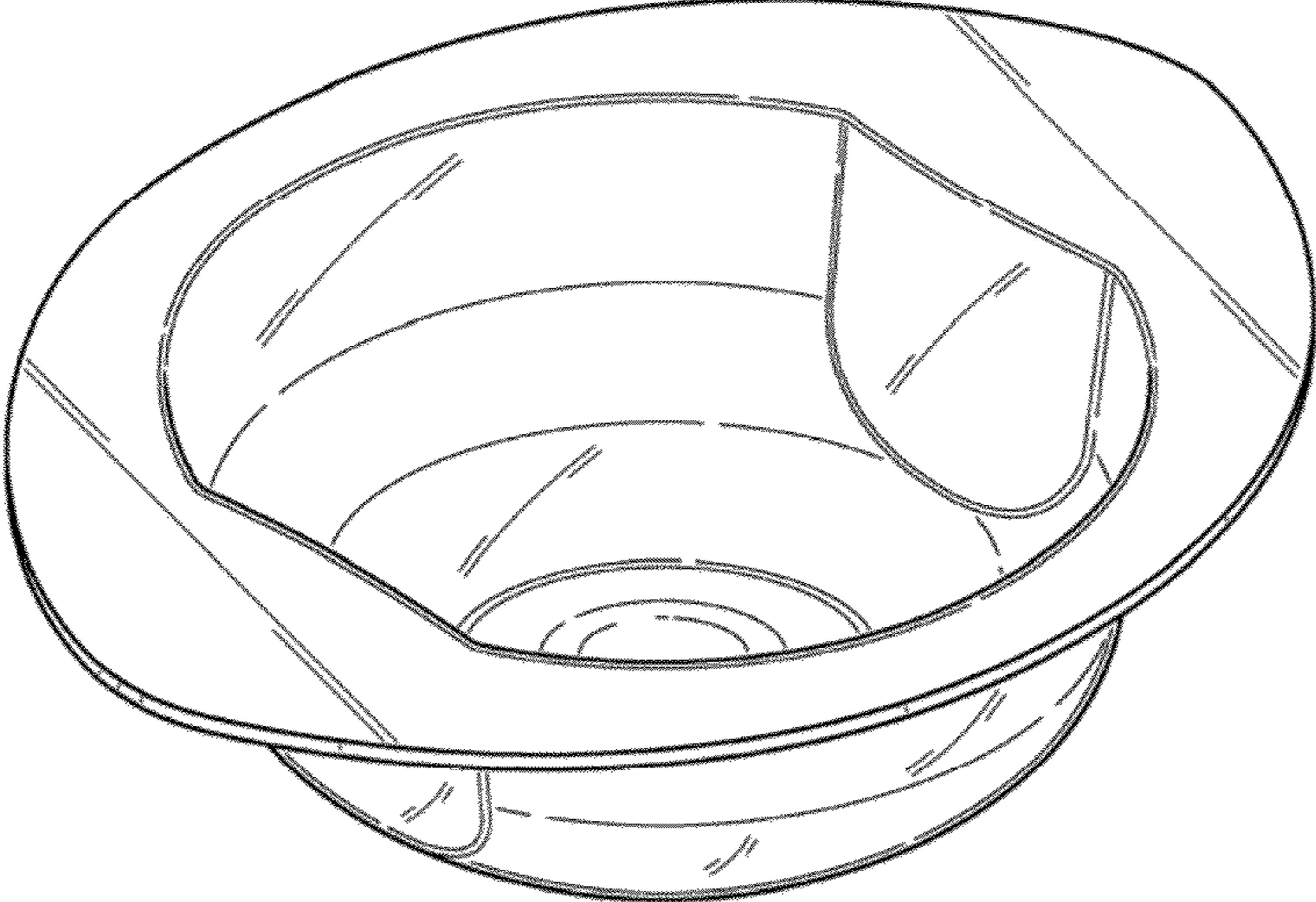


Fig. 1

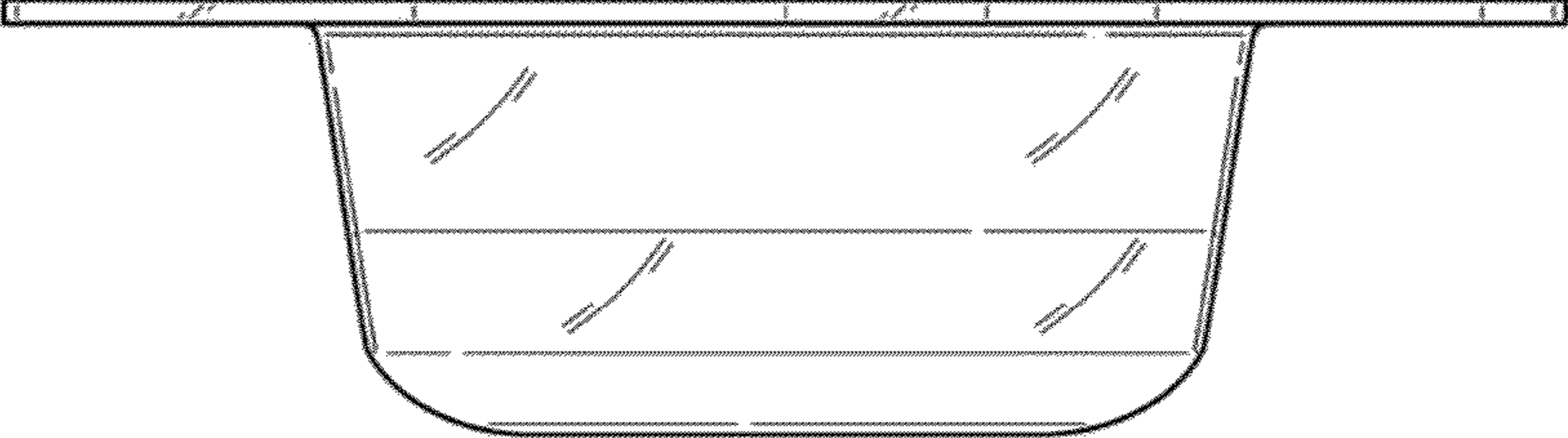


Fig. 2

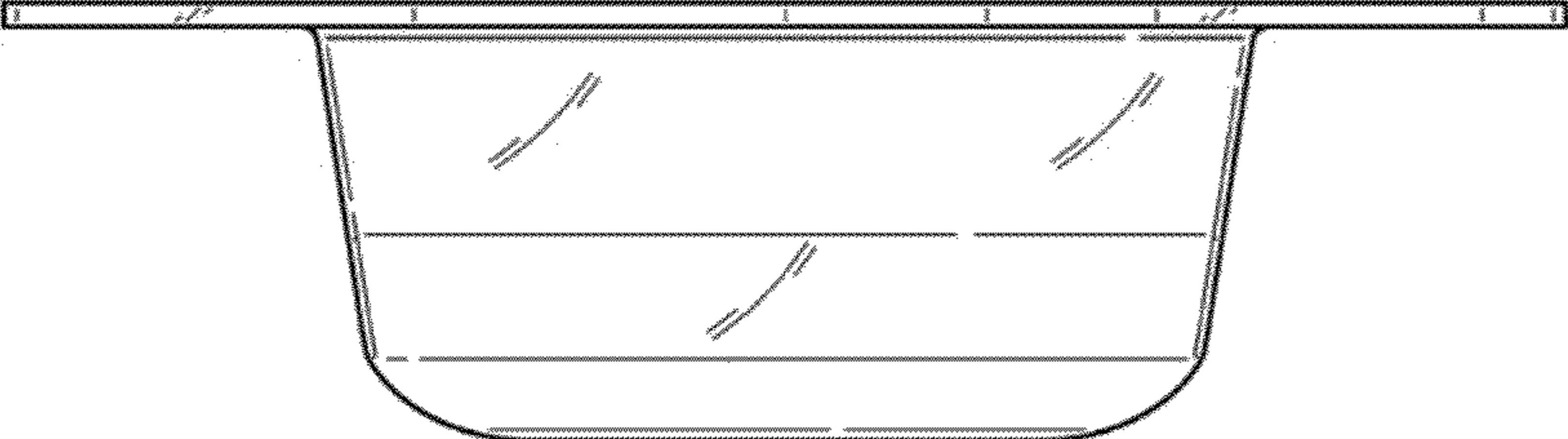


Fig. 3

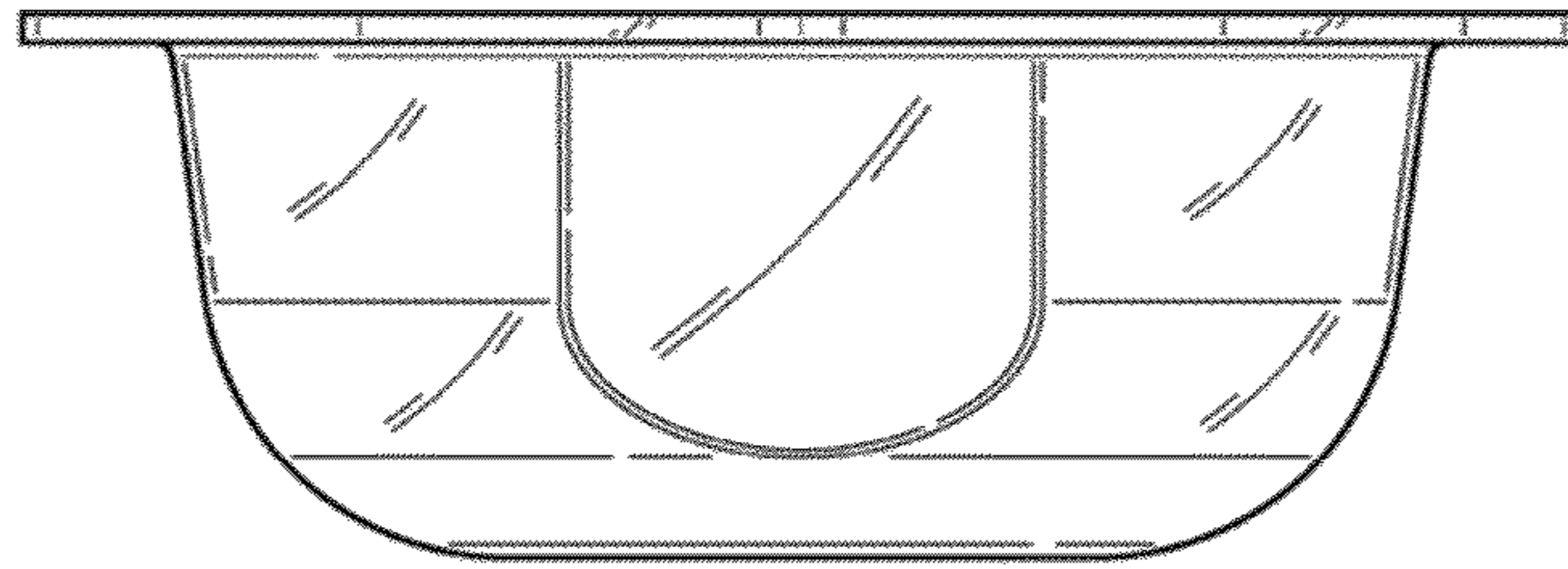


Fig. 4

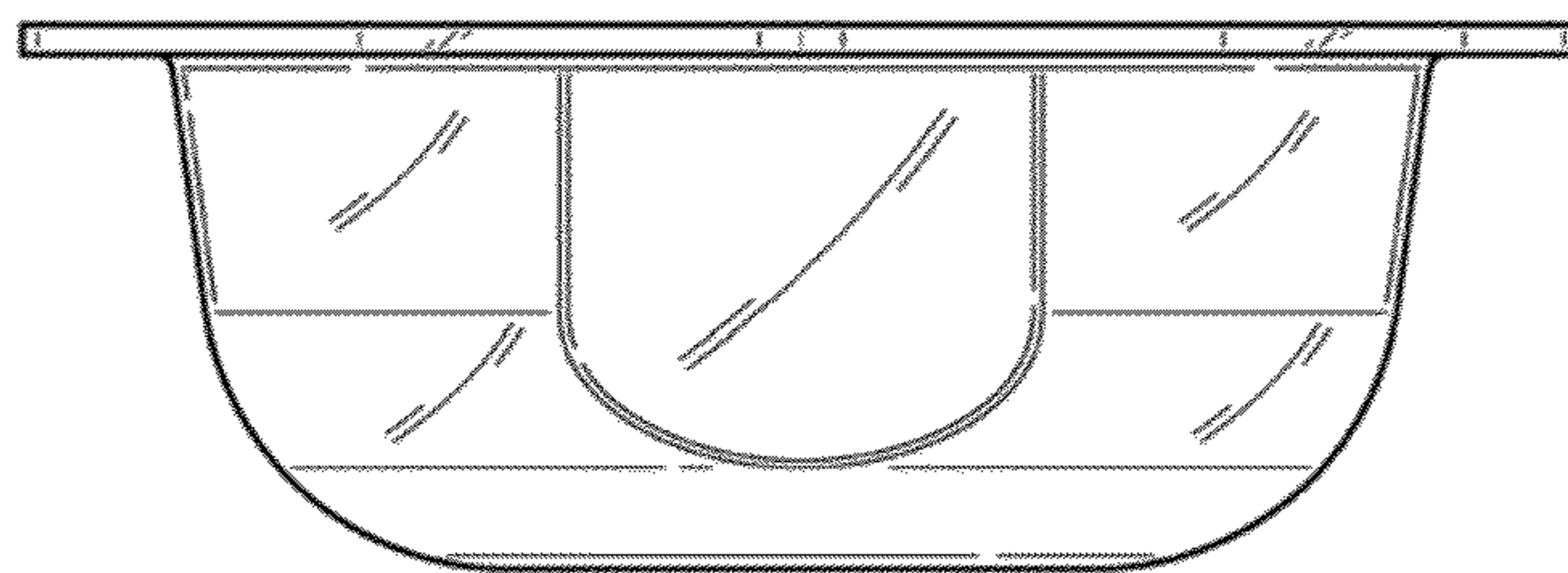


Fig. 5

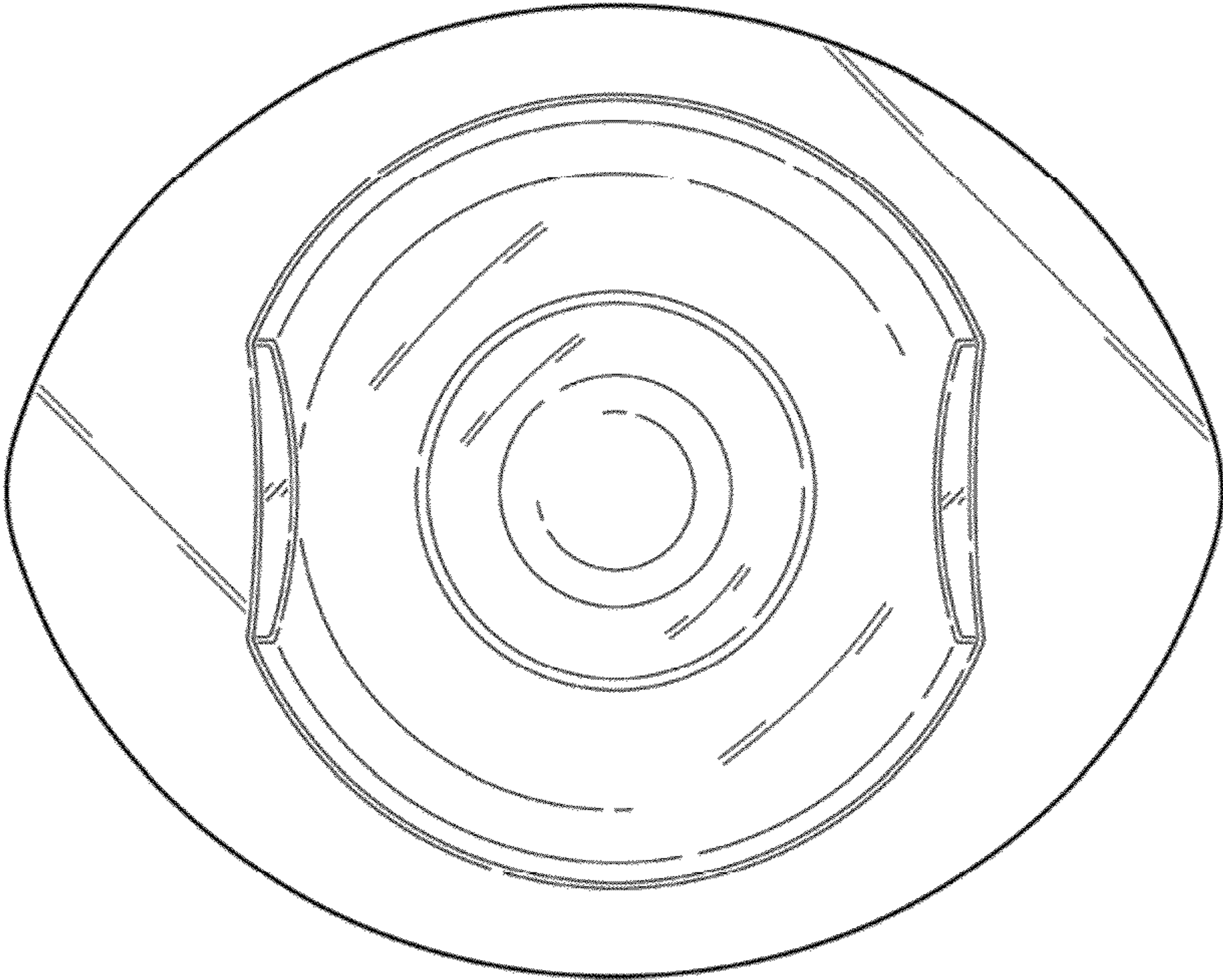


Fig. 6

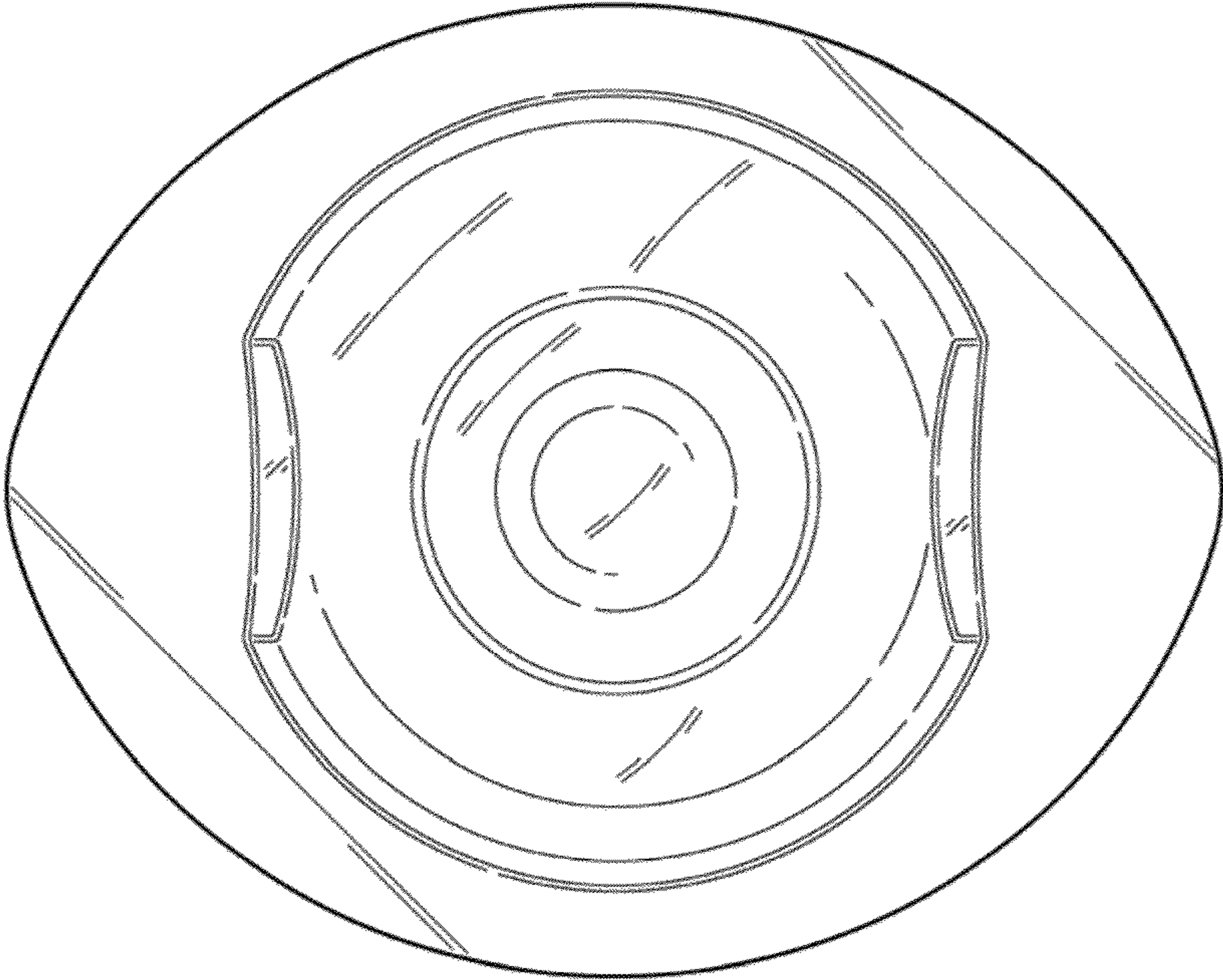


Fig. 7