



US00D732382S

(12) **United States Design Patent**
Zalanca et al.

(10) **Patent No.:** **US D732,382 S**
(45) **Date of Patent:** **** Jun. 23, 2015**

- (54) **ADJUSTER CLIP**
- (71) Applicant: **American Axle & Manufacturing, Inc.**,
Detroit, MI (US)
- (72) Inventors: **George Zalanca**, Windsor (CA);
Gregory J. Hilker, Canton, MI (US)
- (73) Assignee: **American Axle & Manufacturing, Inc.**,
Detroit, MI (US)

7,175,560 B2 2/2007 Petruska et al.
 D543,447 S * 5/2007 Allsopp D8/394
 D576,478 S * 9/2008 Mead et al. D8/395
 D586,718 S * 2/2009 Morita et al. D12/223
 D587,100 S * 2/2009 Allsopp D8/356
 7,485,065 B2 2/2009 Kearney
 7,775,928 B2 8/2010 Zink
 7,794,153 B2 9/2010 Szczepanski et al.
 D632,554 S * 2/2011 Grzyb D8/395
 7,931,557 B2 4/2011 Zink
 7,998,012 B2 8/2011 Zink
 8,167,762 B2 5/2012 Zink et al.

(**) Term: **14 Years**

- (21) Appl. No.: **29/449,027**
- (22) Filed: **Mar. 14, 2013**
- (51) **LOC (10) Cl.** **08-08**
- (52) **U.S. Cl.**
USPC **D8/394**
- (58) **Field of Classification Search**
USPC D8/105, 107, 349, 354, 356, 394, 395,
D8/396; D12/51, 223; D6/580; 74/606 R;
24/561
CPC . D06F 55/00; A41B 3/08; F16H 2057/02043;
F16H 57/02
See application file for complete search history.

(Continued)

FOREIGN PATENT DOCUMENTS

WO WO-9833667 A1 8/1998
Primary Examiner — John Windmuller
Assistant Examiner — Steven Czyz
 (74) *Attorney, Agent, or Firm* — Harness, Dickey & Pierce,
 P.L.C.

(57) **CLAIM**
 The ornamental design for an adjuster clip, as shown and
 described.

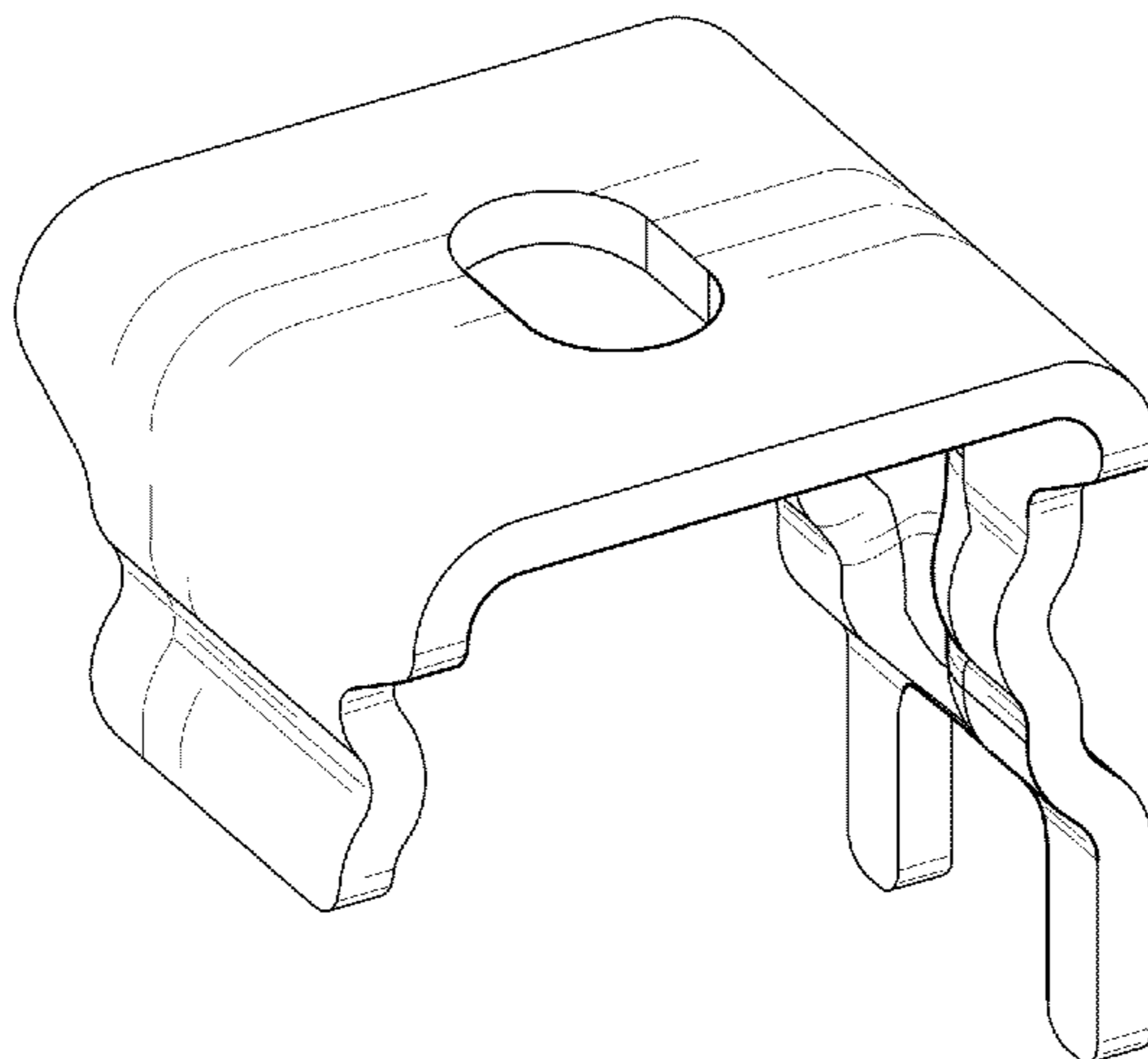
DESCRIPTION

FIG. 1 is a top rear perspective view of the adjuster clip;
 FIG. 2 is a bottom front perspective view of the adjuster clip
 of FIG. 1;
 FIG. 3 is a top plan view of the adjuster clip of FIG. 1;
 FIG. 4 is a front elevation view of the adjuster clip of FIG. 1;
 FIG. 5 is a left side elevation view of the adjuster clip of FIG.
 1;
 FIG. 6 is a rear elevation view of the adjuster clip of FIG. 1;
 and,
 FIG. 7 is a bottom view of the adjuster clip of FIG. 1.
 The broken line showing is included for illustrating portions
 of the article and forms no part of the claimed design.

(56) **References Cited**
U.S. PATENT DOCUMENTS

2,651,216 A 9/1953 Alden
 3,001,842 A 9/1961 Boyd
 D257,557 S * 11/1980 Rex D12/51
 4,958,792 A * 9/1990 Rinderer 248/74.2
 5,560,687 A 10/1996 Hagelthorn
 6,398,689 B1 6/2002 Morse et al.
 6,533,697 B2 3/2003 Morse et al.
 D490,695 S * 6/2004 DeBiasio, Jr. D8/373
 6,899,305 B2 * 5/2005 Korczak et al. 248/68.1
 D523,329 S * 6/2006 Klippel et al. D8/394
 7,108,428 B2 9/2006 Ason et al.

1 Claim, 2 Drawing Sheets



(56)

References Cited

U.S. PATENT DOCUMENTS

D670,159 S * 11/2012 Bitarchas et al. D8/394
D681,438 S * 5/2013 Chen D8/394
D681,439 S * 5/2013 Chen D8/394

D690,583 S * 10/2013 Sendra-Gonzalez et al. .. D8/394
D691,463 S * 10/2013 Sendra-Gonzalez et al. .. D8/394
8,733,027 B1 * 5/2014 Marston et al. 52/24
2014/0260789 A1 * 9/2014 Zalanca et al. 74/606 R

* cited by examiner

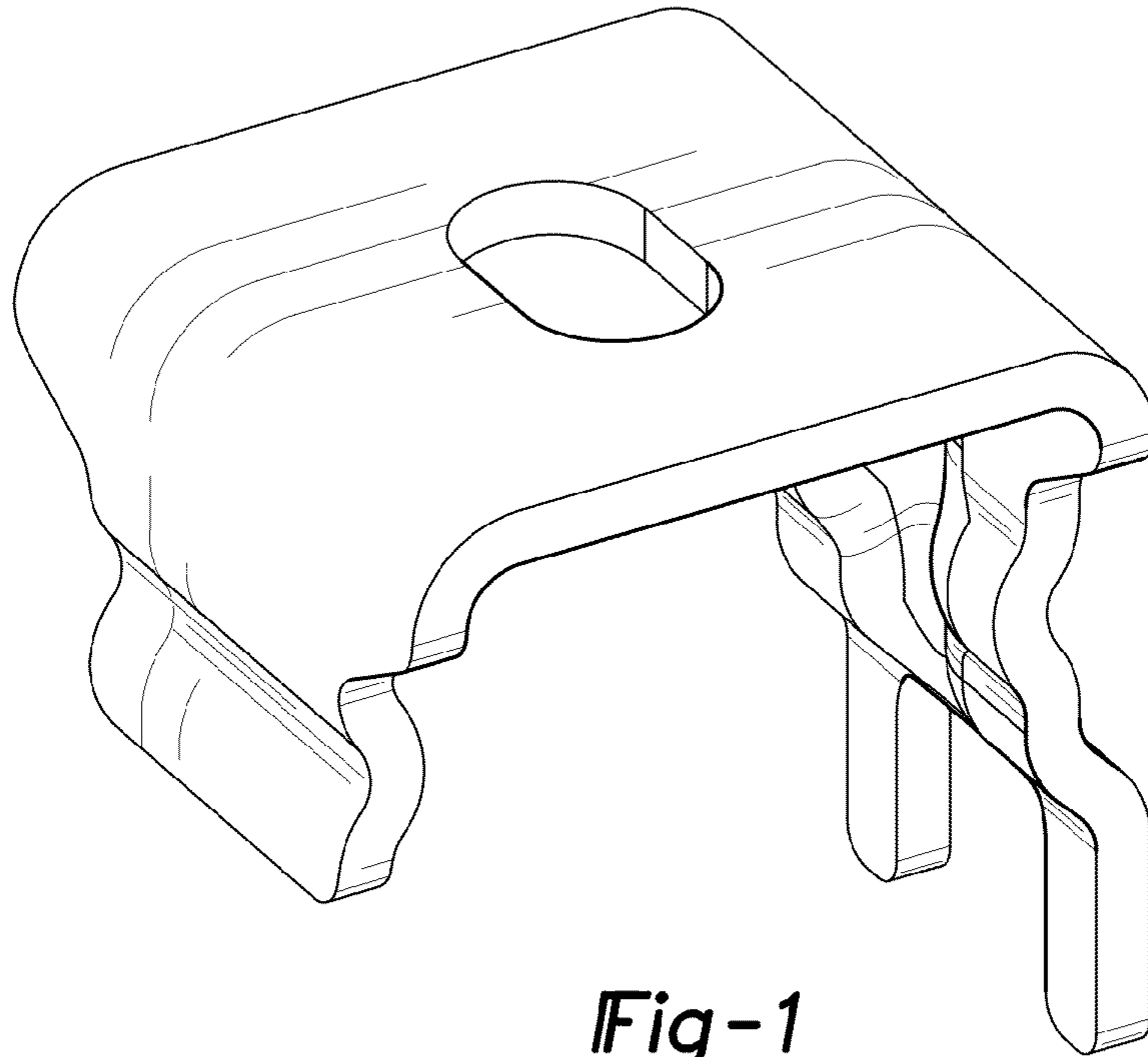


Fig-1

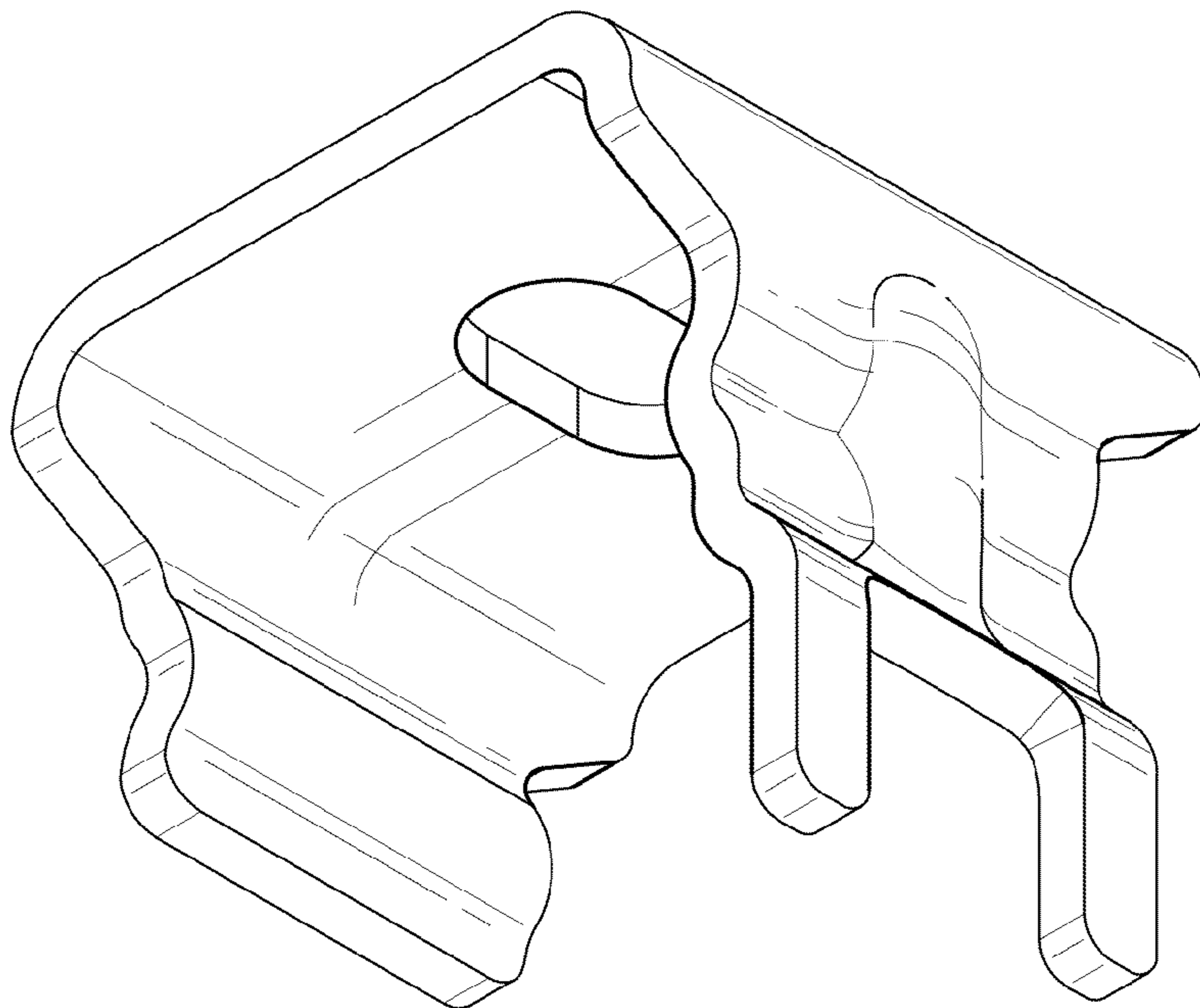


Fig-2

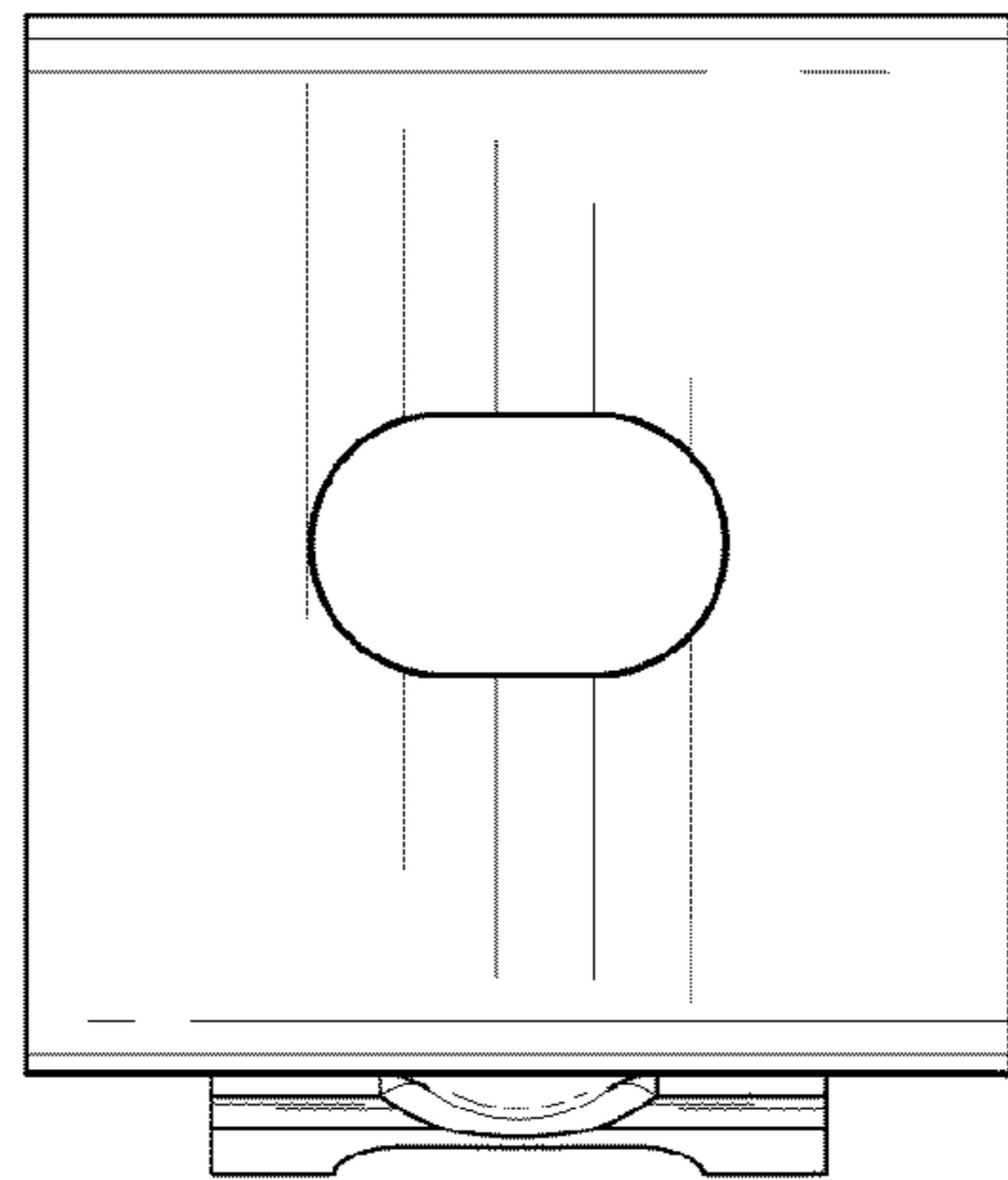


Fig-3

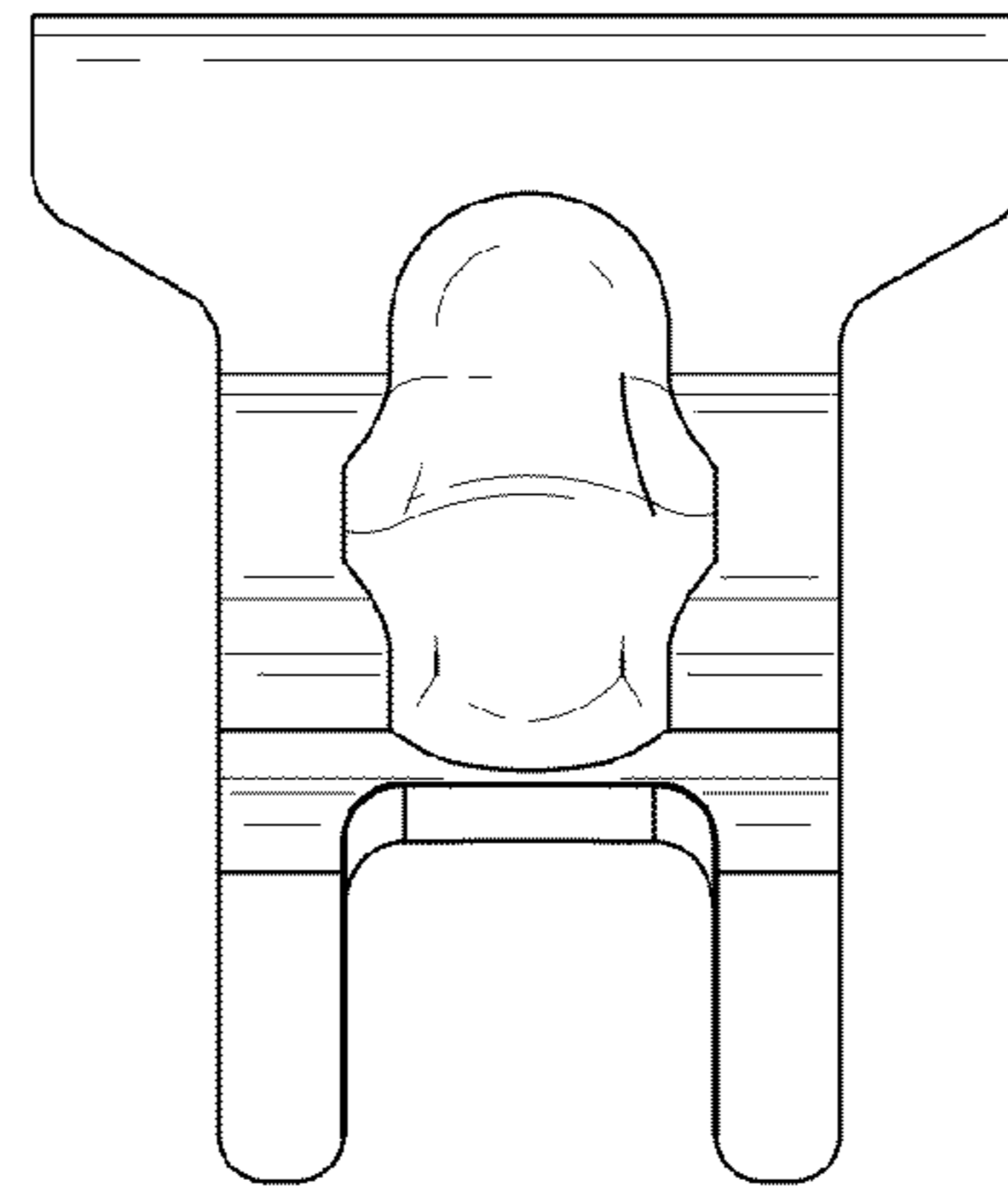


Fig-4

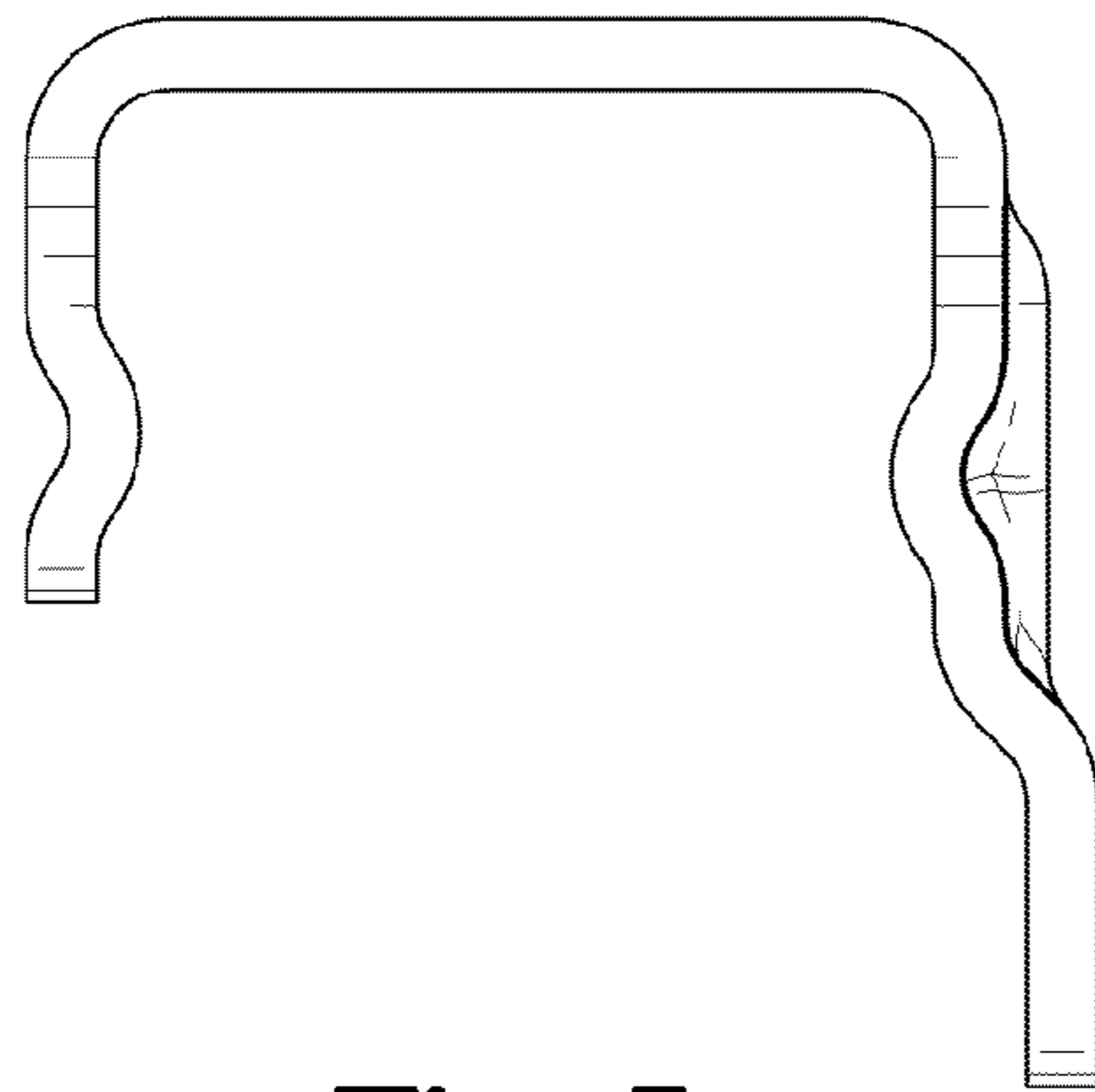


Fig-5

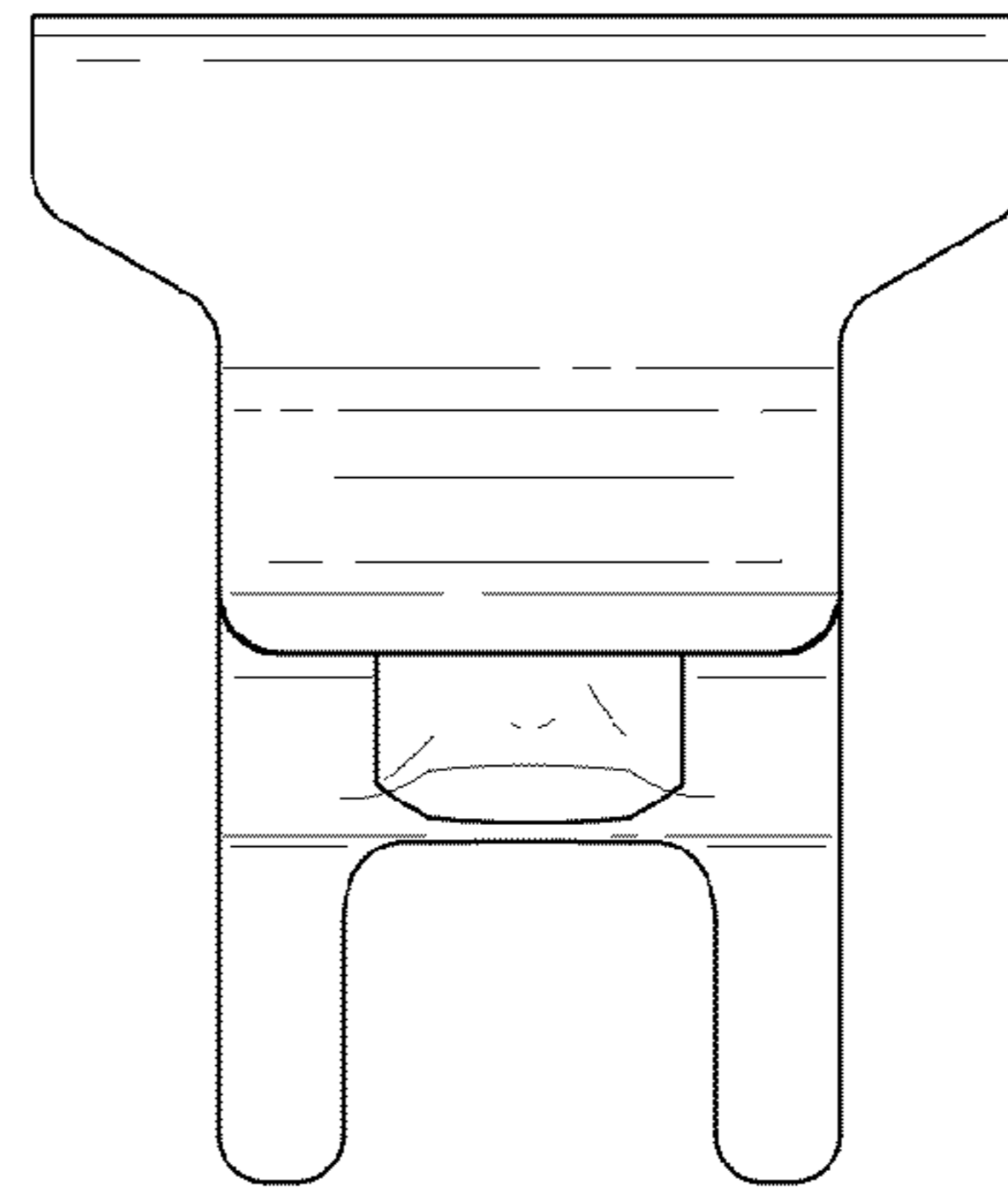


Fig-6

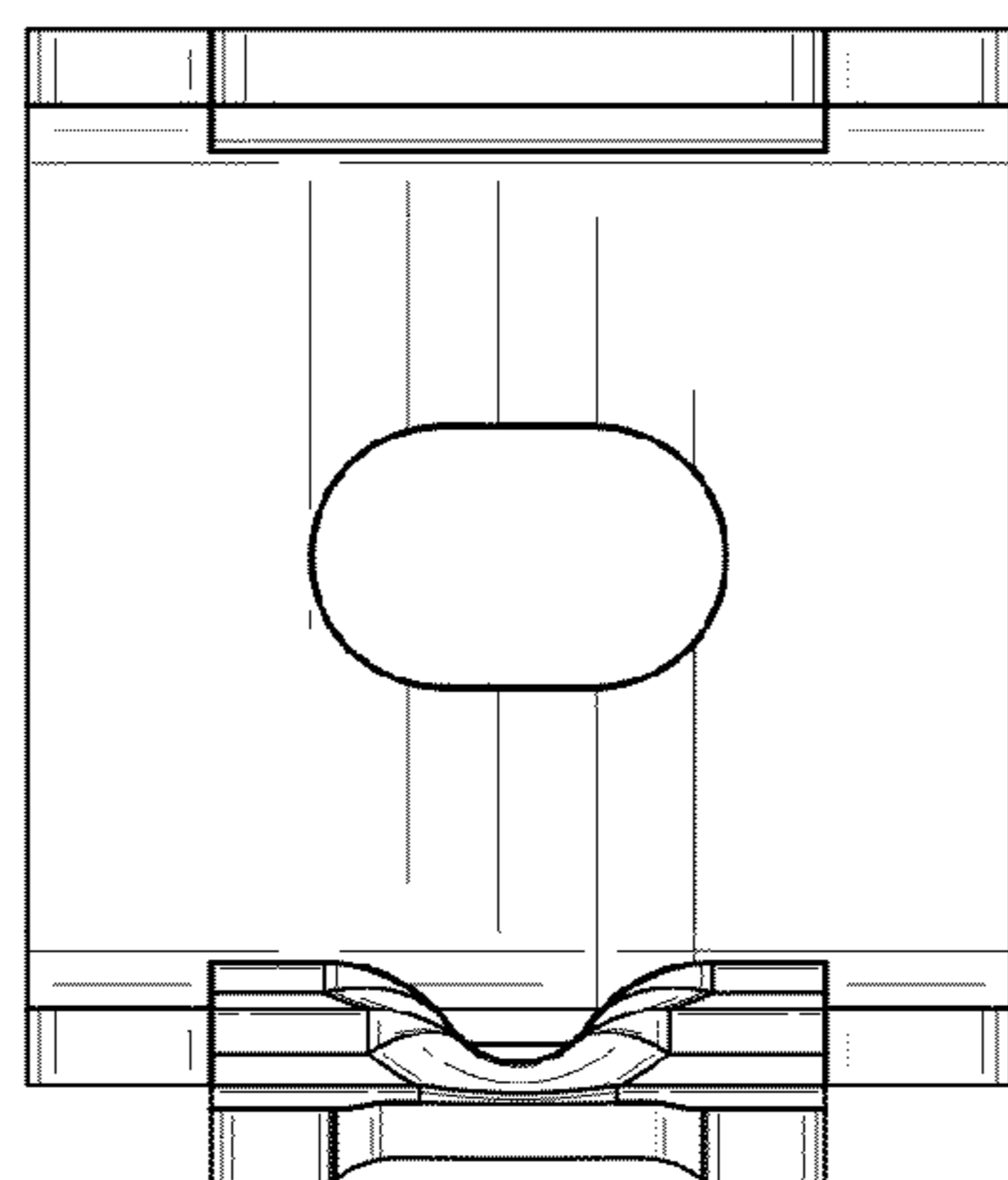


Fig-7

UNITED STATES PATENT AND TRADEMARK OFFICE
CERTIFICATE OF CORRECTION

PATENT NO. : D732,382 S
APPLICATION NO. : 29/449027
DATED : June 23, 2015
INVENTOR(S) : George Zalanca et al.

Page 1 of 4

It is certified that error appears in the above-identified patent and that said Letters Patent is hereby corrected as shown below:

Title page, illustrative fig(s). 1 should be deleted and substitute therefore the attached title page consisting of illustrative fig(s). 1.

In the Drawings

The drawing sheets 1 and 2 of 2 consisting of fig(s). 1-7 should be deleted and substitute therefore the attached drawing sheets consisting of the same.

Signed and Sealed this
Eighth Day of December, 2015



Michelle K. Lee
Director of the United States Patent and Trademark Office

(12) **United States Design Patent** (10) **Patent No.:** **US D732,382 S**
Zalanca et al. (45) **Date of Patent:** **** Jun. 23, 2015**

(54) **ADJUSTER CLIP**
 (71) Applicant: **American Axle & Manufacturing, Inc.**,
 Detroit, MI (US)
 (72) Inventors: **George Zalanca**, Windsor (CA);
Gregory J. Hilker, Canton, MI (US)
 (73) Assignee: **American Axle & Manufacturing, Inc.**,
 Detroit, MI (US)

7,175,560 B2 2/2007 Petruska et al.
 D543,447 S * 5/2007 Allsopp D8/394
 D576,478 S * 9/2008 Mead et al. D8/395
 D586,718 S * 2/2009 Morita et al. D12/223
 D587,100 S * 2/2009 Allsopp D8/356
 7,485,065 B2 2/2009 Kearney
 7,775,928 B2 8/2010 Zink
 7,794,153 B2 9/2010 Szczepanski et al.
 D632,554 S * 2/2011 Grzyb D8/395
 7,931,557 B2 4/2011 Zink
 7,998,012 B2 8/2011 Zink
 8,167,762 B2 5/2012 Zink et al.

(**) Term: **14 Years**

(21) Appl. No.: **29/449,027**

(22) Filed: **Mar. 14, 2013**

(51) **LOC (10) CL.** **08-08**

(52) **U.S. CL.**
 USPC **D8/394**

(58) **Field of Classification Search**
 USPC D8/105, 107, 349, 354, 356, 394, 395,
 D8/396; D12/51, 223; D6/580; 74/606 R;
 24/561

CPC . D06F 55/00; A41B 3/08; F16H 2057/02043;
 F16H 57/02

See application file for complete search history.

(56) **References Cited**

U.S. PATENT DOCUMENTS

2,651,216 A 9/1953 Alden
 3,001,842 A 9/1961 Boyd
 D257,557 S * 11/1980 Rex D12/51
 4,958,792 A * 9/1990 Rinderer 248/74.2
 5,560,687 A 10/1996 Hagelthorn
 6,398,689 B1 6/2002 Morse et al.
 6,533,697 B2 3/2003 Morse et al.
 D490,695 S * 6/2004 DeBiasio, Jr. D8/373
 6,899,305 B2 * 5/2005 Korczak et al. 248/68.1
 D523,329 S * 6/2006 Klippel et al. D8/394
 7,108,428 B2 9/2006 Ason et al.

FOREIGN PATENT DOCUMENTS

WO WO-9833667 A1 8/1998

Primary Examiner — John Windmuller

Assistant Examiner Steven Czyz

(74) *Attorney, Agent, or Firm* Harness, Dickey & Pierce,
 P.L.C.

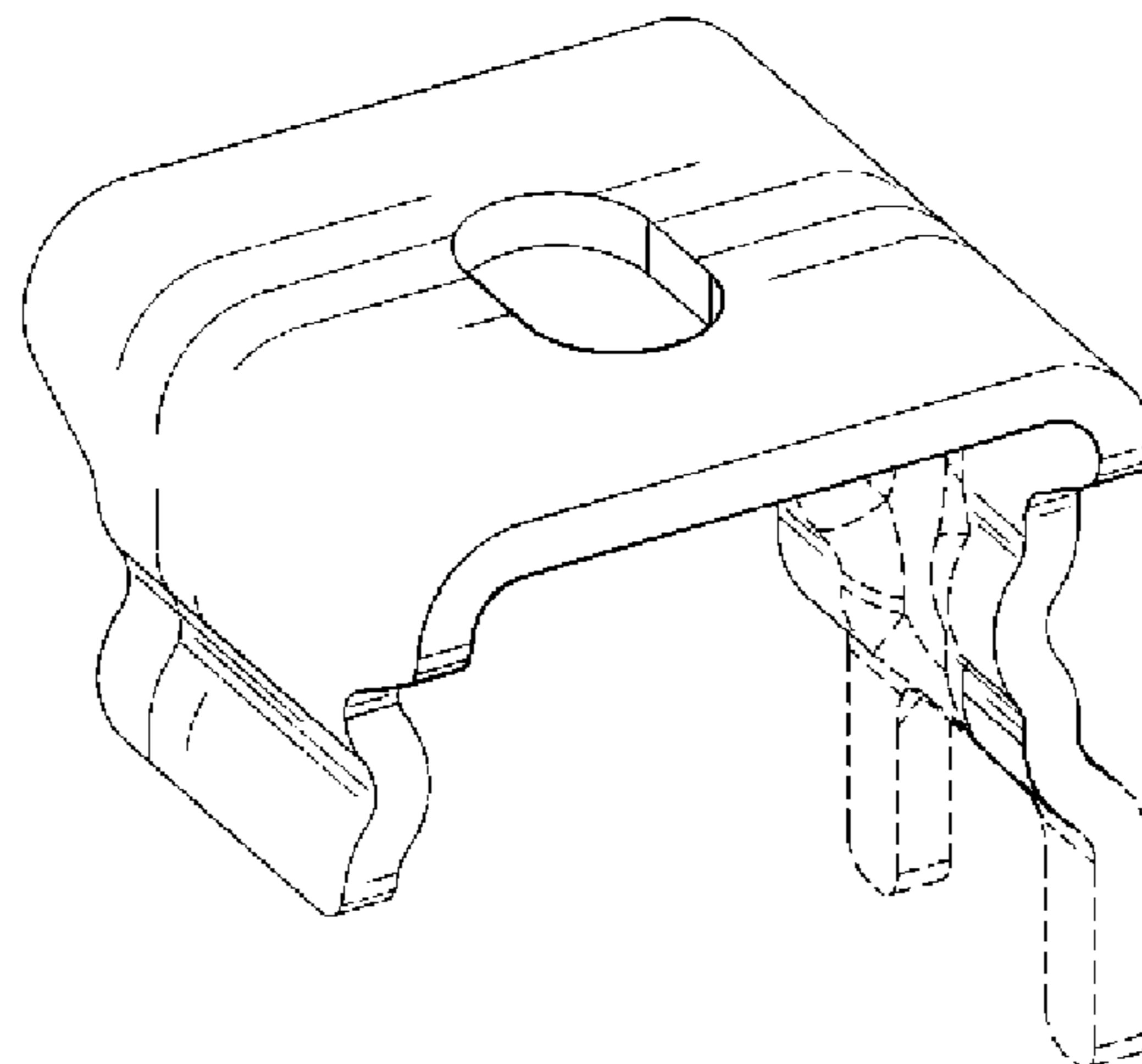
(57) **CLAIM**

The ornamental design for an adjuster clip, as shown and
 described.

DESCRIPTION

FIG. 1 is a top rear perspective view of the adjuster clip;
 FIG. 2 is a bottom front perspective view of the adjuster clip
 of FIG. 1;
 FIG. 3 is a top plan view of the adjuster clip of FIG. 1;
 FIG. 4 is a front elevation view of the adjuster clip of FIG. 1;
 FIG. 5 is a left side elevation view of the adjuster clip of FIG.
 1;
 FIG. 6 is a rear elevation view of the adjuster clip of FIG. 1;
 and,
 FIG. 7 is a bottom view of the adjuster clip of FIG. 1.
 The broken line showing is included for illustrating portions
 of the article and forms no part of the claimed design.

1 Claim, 2 Drawing Sheets



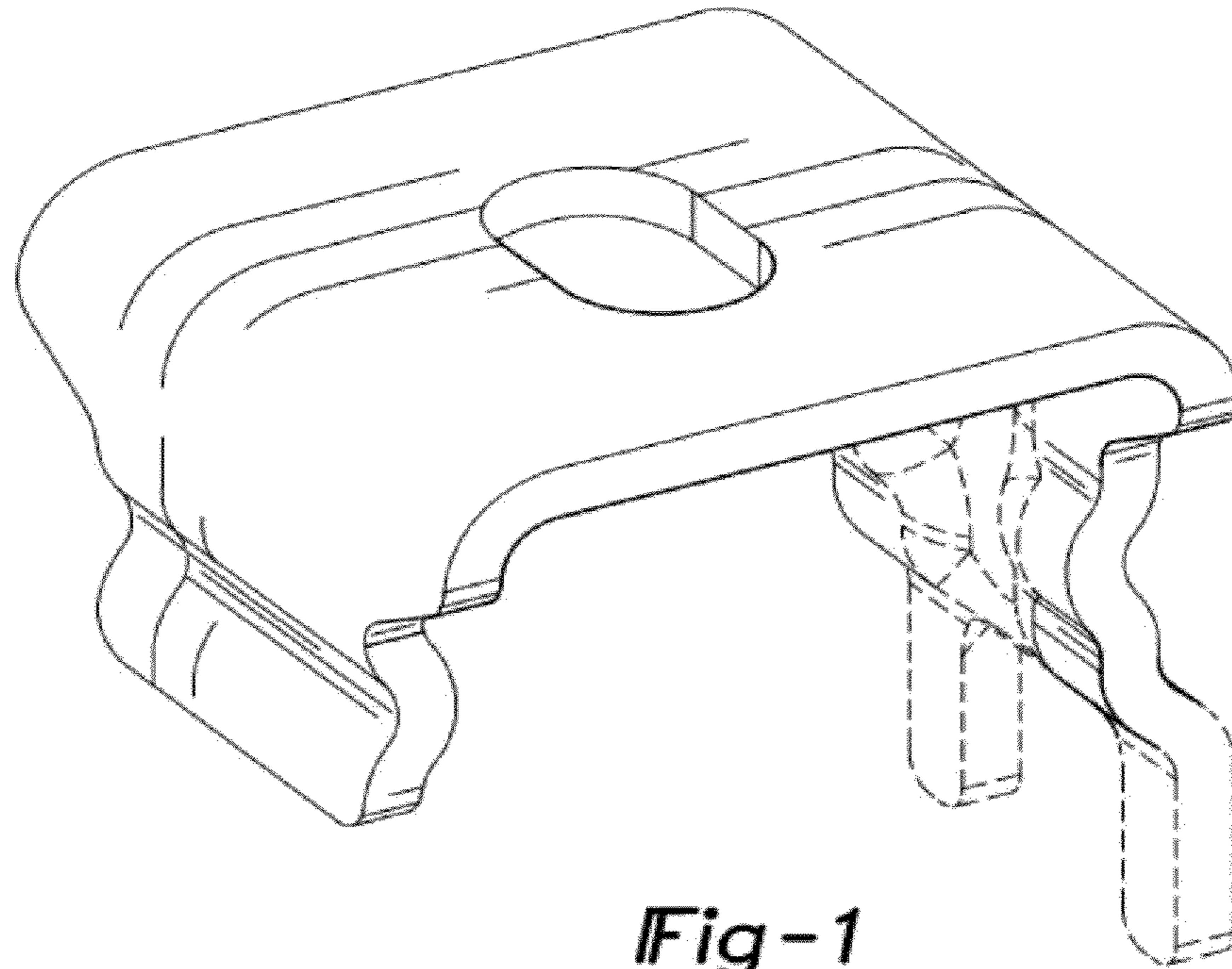


Fig-1

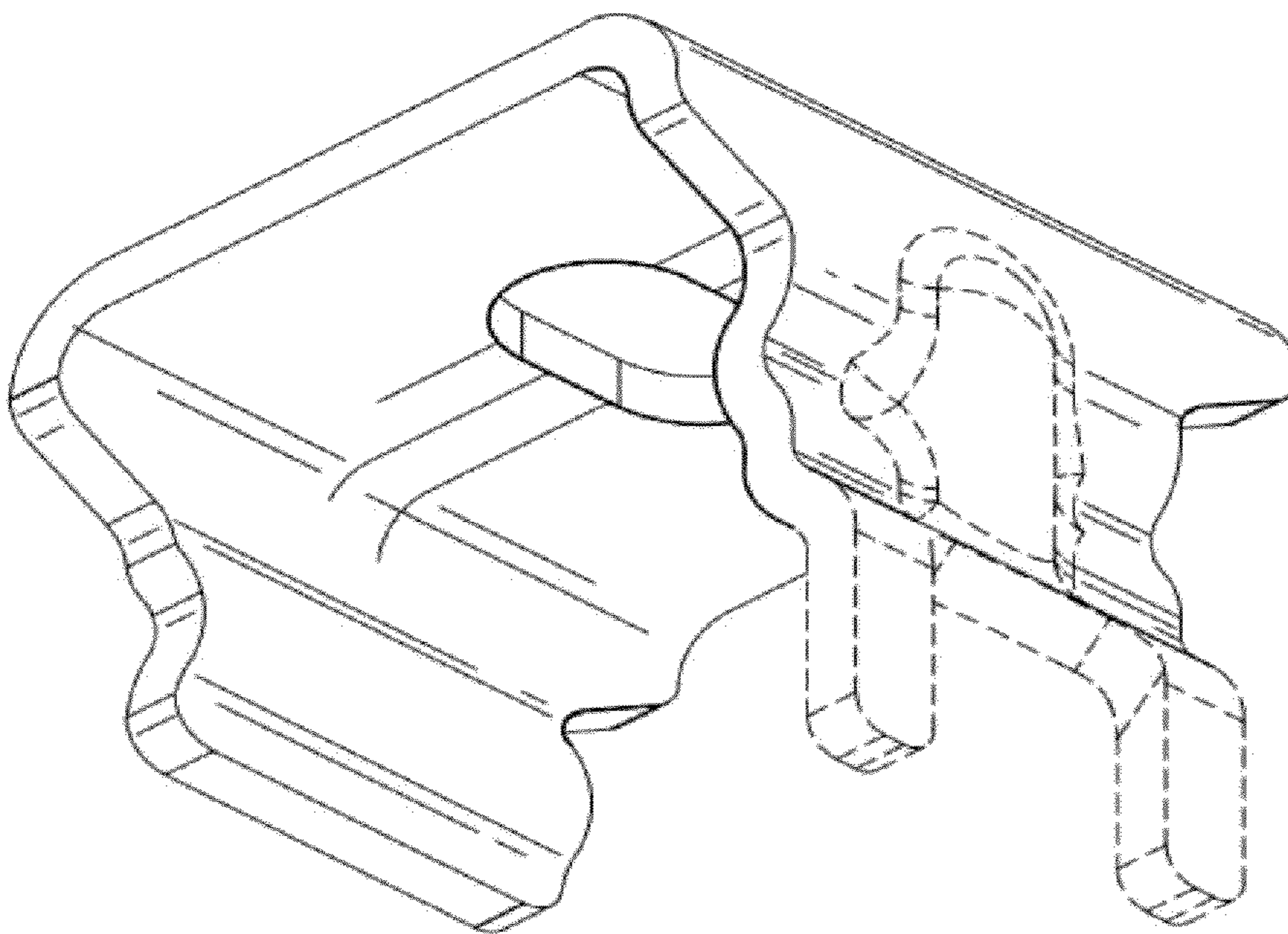


Fig-2

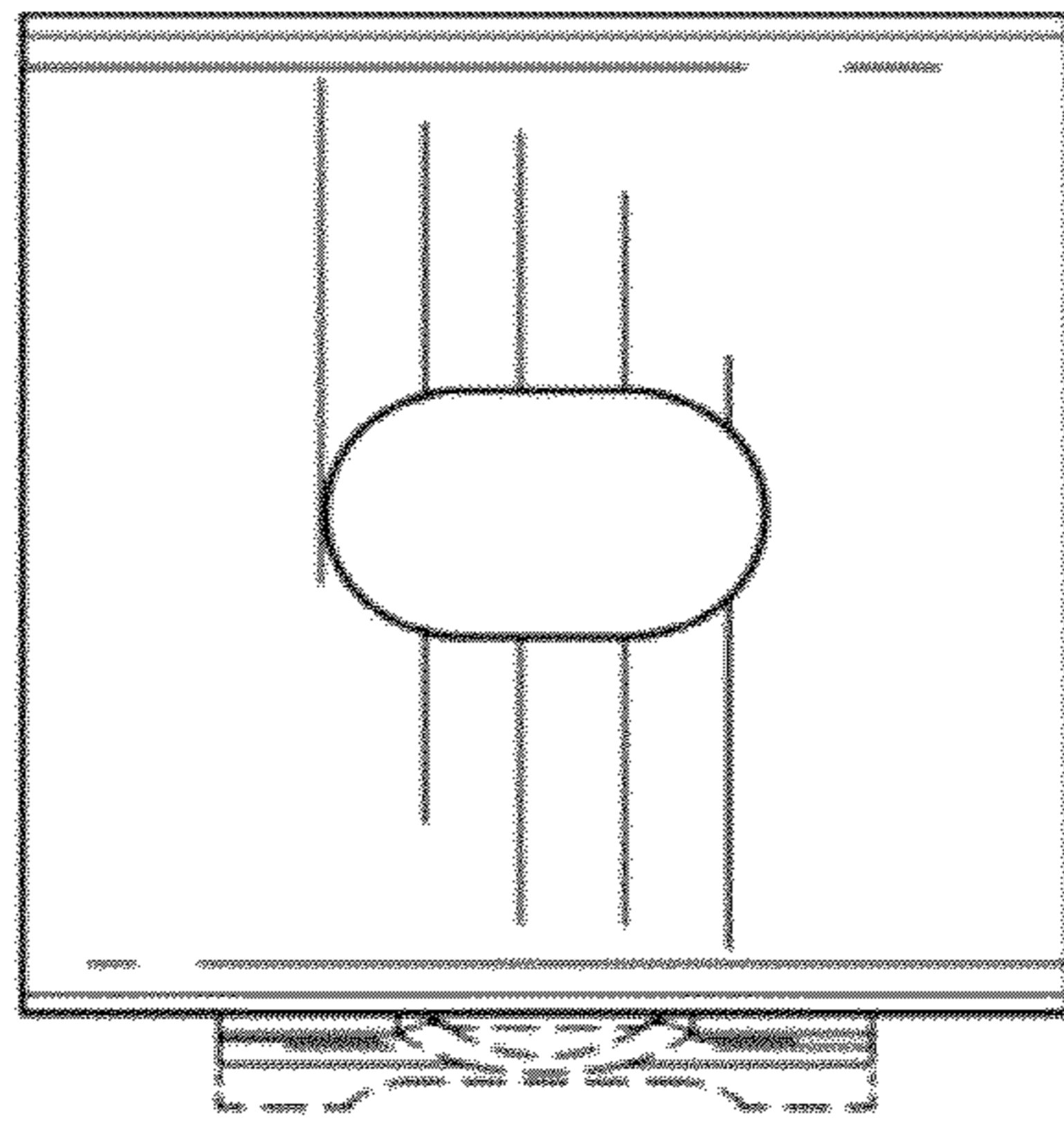


Fig-3

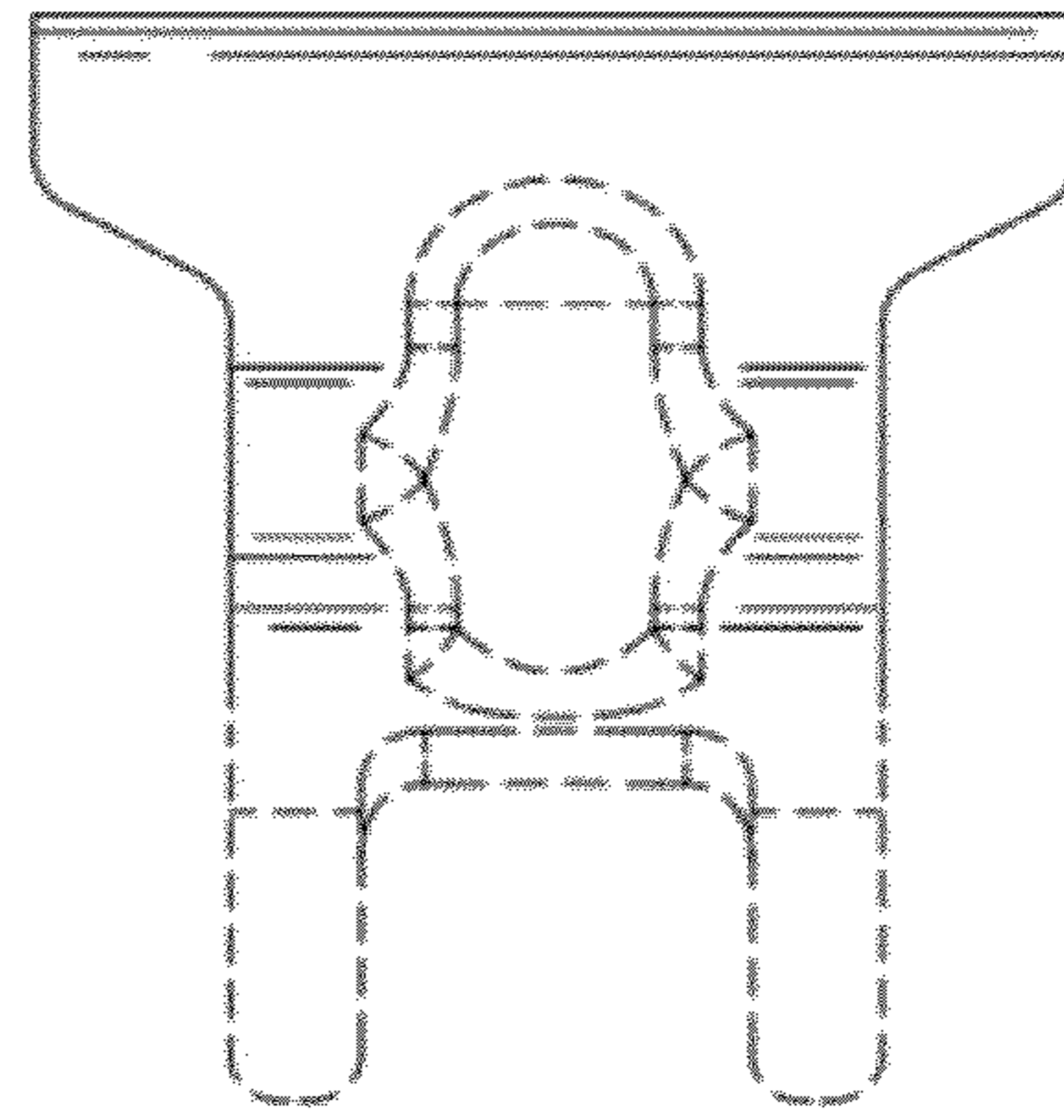


Fig-4

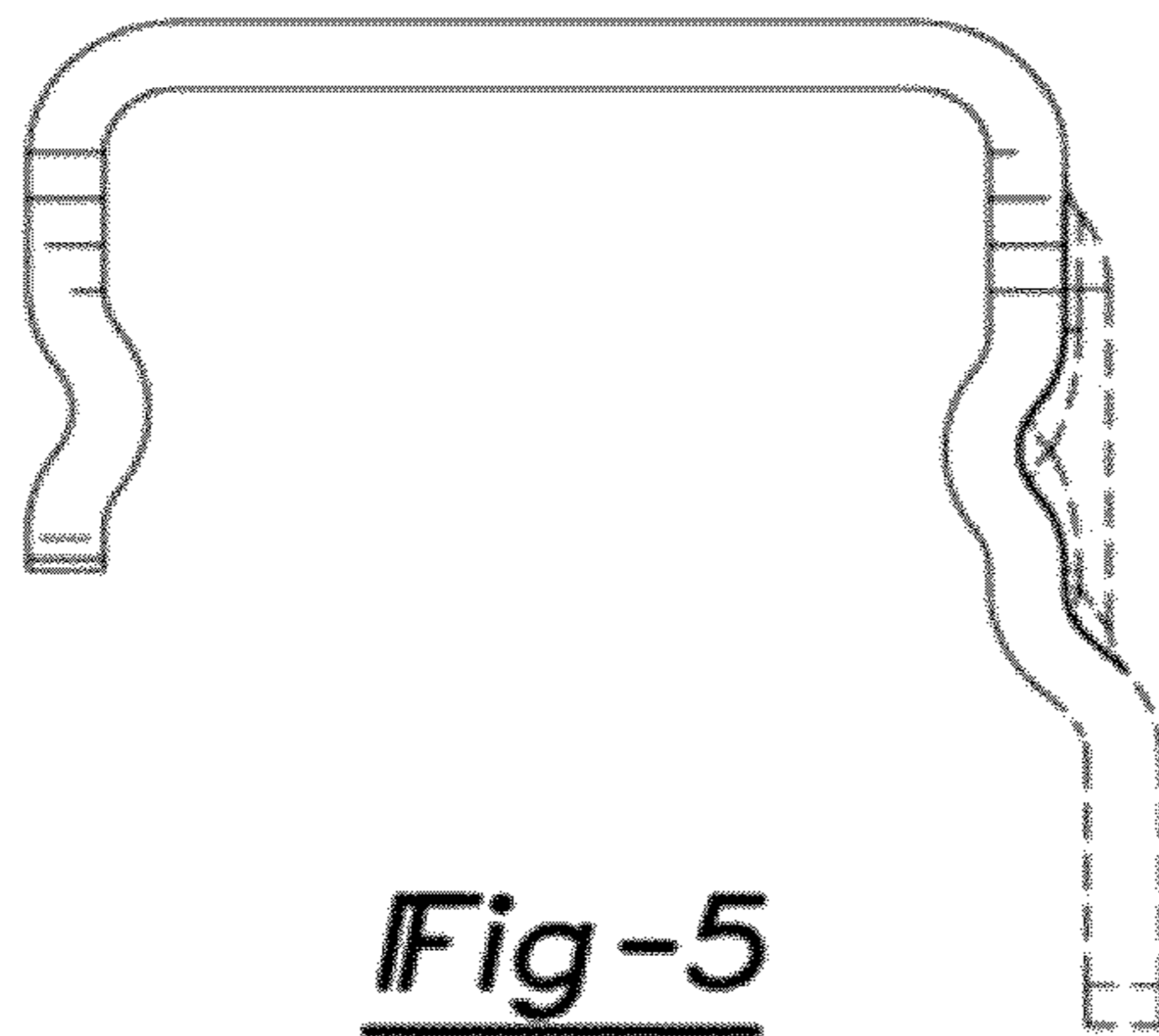


Fig-5

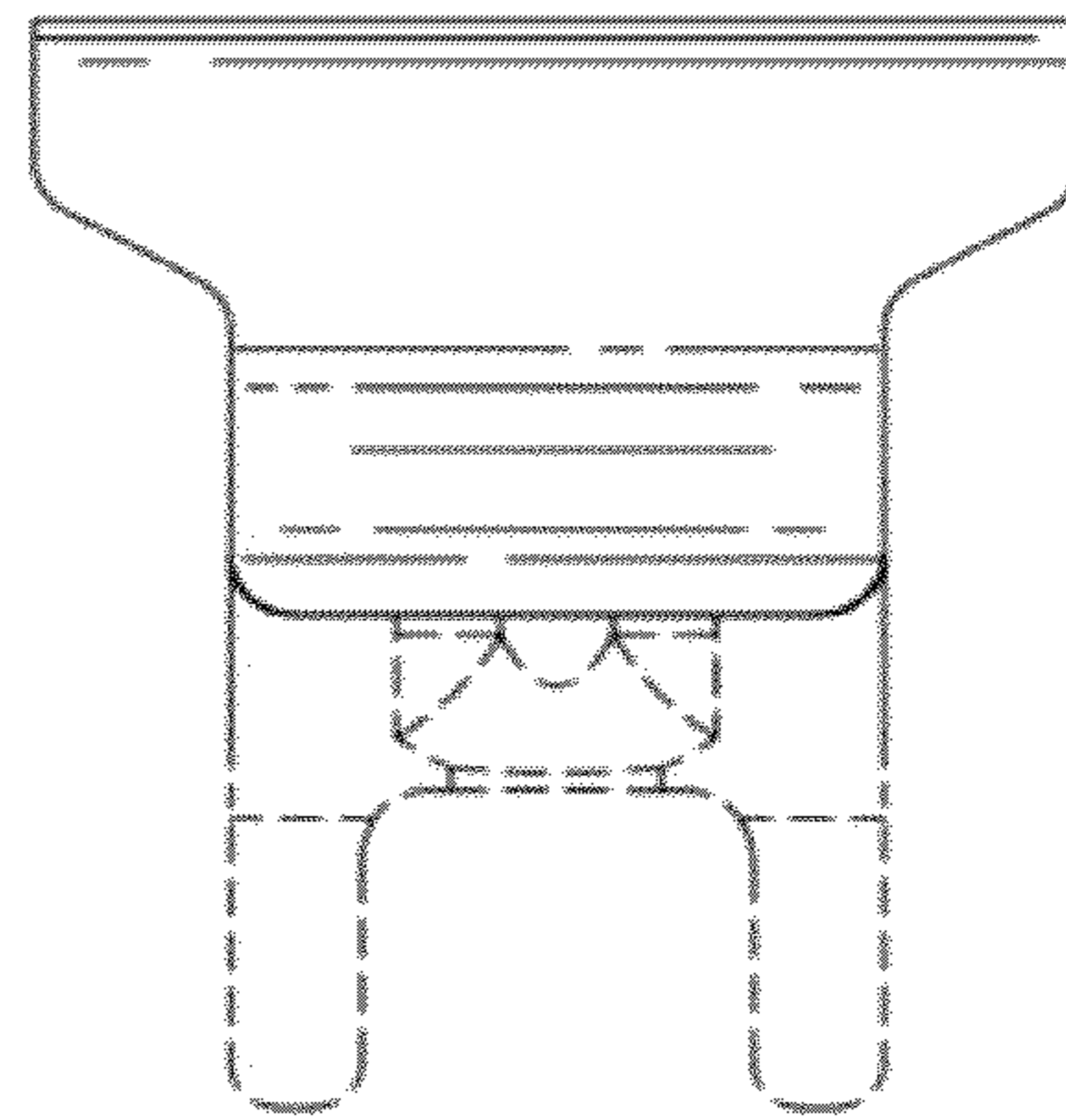


Fig-6

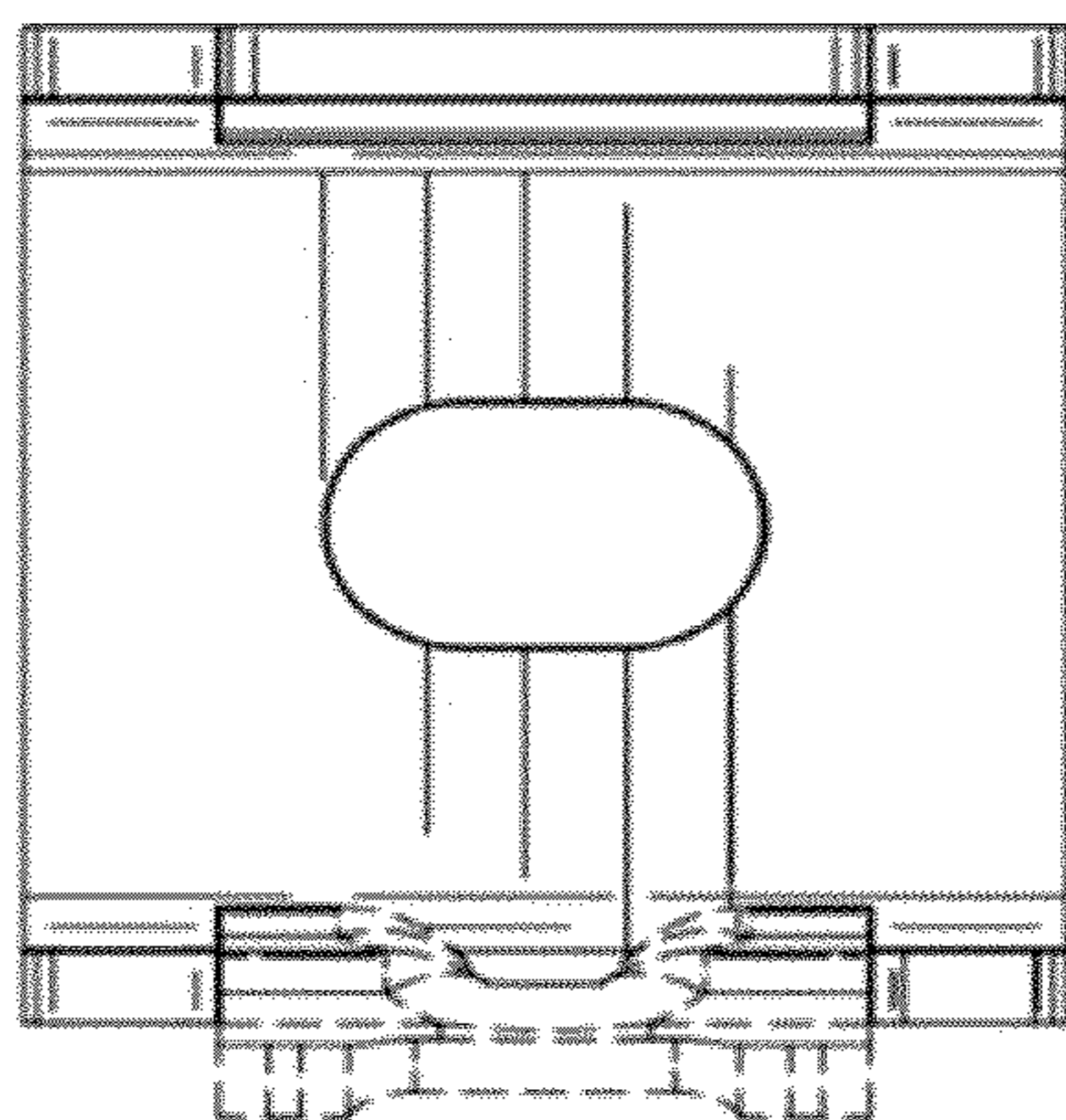


Fig-7