

US00D732380S

(12) **United States Design Patent**  
**Chou**

(10) **Patent No.:** **US D732,380 S**  
(45) **Date of Patent:** **\*\* Jun. 23, 2015**

(54) **COMPACT CORD LOCK**  
(71) Applicant: **Tser Wen Chou**, Taipei (TW)  
(72) Inventor: **Tser Wen Chou**, Taipei (TW)  
(\*\*) Term: **14 Years**

(21) Appl. No.: **29/451,732**  
(22) Filed: **Apr. 8, 2013**

(51) **LOC (10) Cl.** ..... **08-08**  
(52) **U.S. Cl.**  
USPC ..... **D8/383**

(58) **Field of Classification Search**  
USPC ..... D8/383, 374, 300, 303, 313, 314, 394,  
D8/395, 396; 24/136 K, 130, 136 R; 42/50;  
5/205, 224; 403/314; 248/328, 74.1;  
D13/133; D22/108  
CPC ..... A47C 19/005; A47C 19/04; H02G 3/22;  
H02G 7/056; H01R 13/5833; H01R 13/72;  
H01R 4/42; H01R 4/44; H01R 4/46  
See application file for complete search history.

(56) **References Cited**

**U.S. PATENT DOCUMENTS**

D113,898 S \* 3/1939 Nisenson ..... D8/394  
D247,020 S \* 1/1978 Glumac ..... D8/394

D541,141 S \* 4/2007 Chou ..... D8/383  
D553,970 S \* 10/2007 Allsopp ..... D8/395  
D650,265 S \* 12/2011 Wong ..... D8/383  
D673,842 S \* 1/2013 Wall et al. .... D8/394  
2002/0005463 A1\* 1/2002 Paske et al. .... 248/74.1

\* cited by examiner

*Primary Examiner* — Robert M Spear  
*Assistant Examiner* — Eliza Bennett-Hattan  
(74) *Attorney, Agent, or Firm* — Guice Patents PLLC

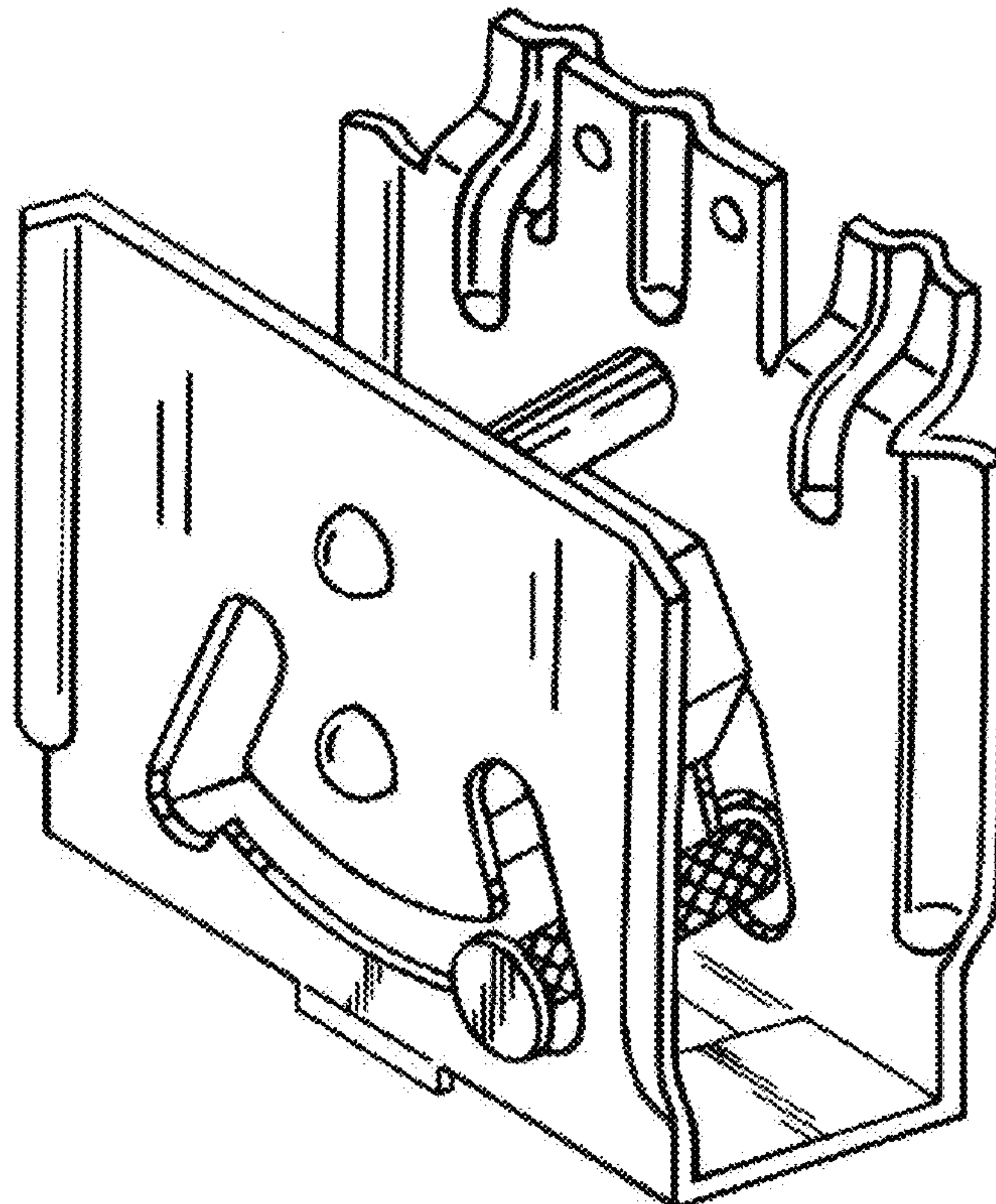
(57) **CLAIM**

The ornamental design for a compact cord lock, as shown and described.

**DESCRIPTION**

FIG. 1 is a perspective view of a compact cord lock;  
FIG. 2 is a front view thereof;  
FIG. 3 is a rear view thereof;  
FIG. 4 is a left side view thereof;  
FIG. 5 is a right side view thereof;  
FIG. 6 is a top view thereof; and,  
FIG. 7 is a bottom view thereof.  
The broken lines are included for the purpose of illustrating portions of the structure that form no part of the claim.

**1 Claim, 4 Drawing Sheets**



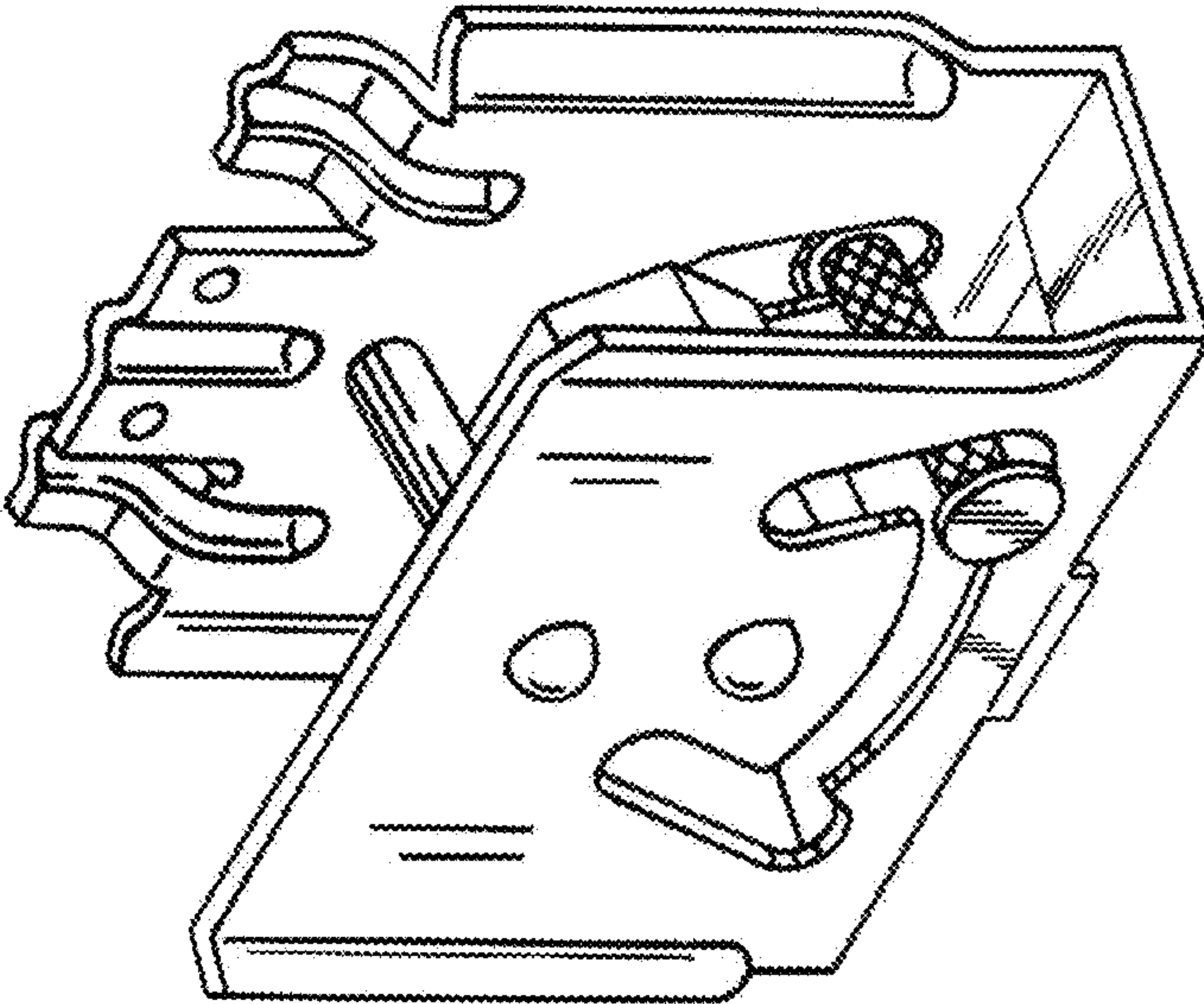


FIG.1

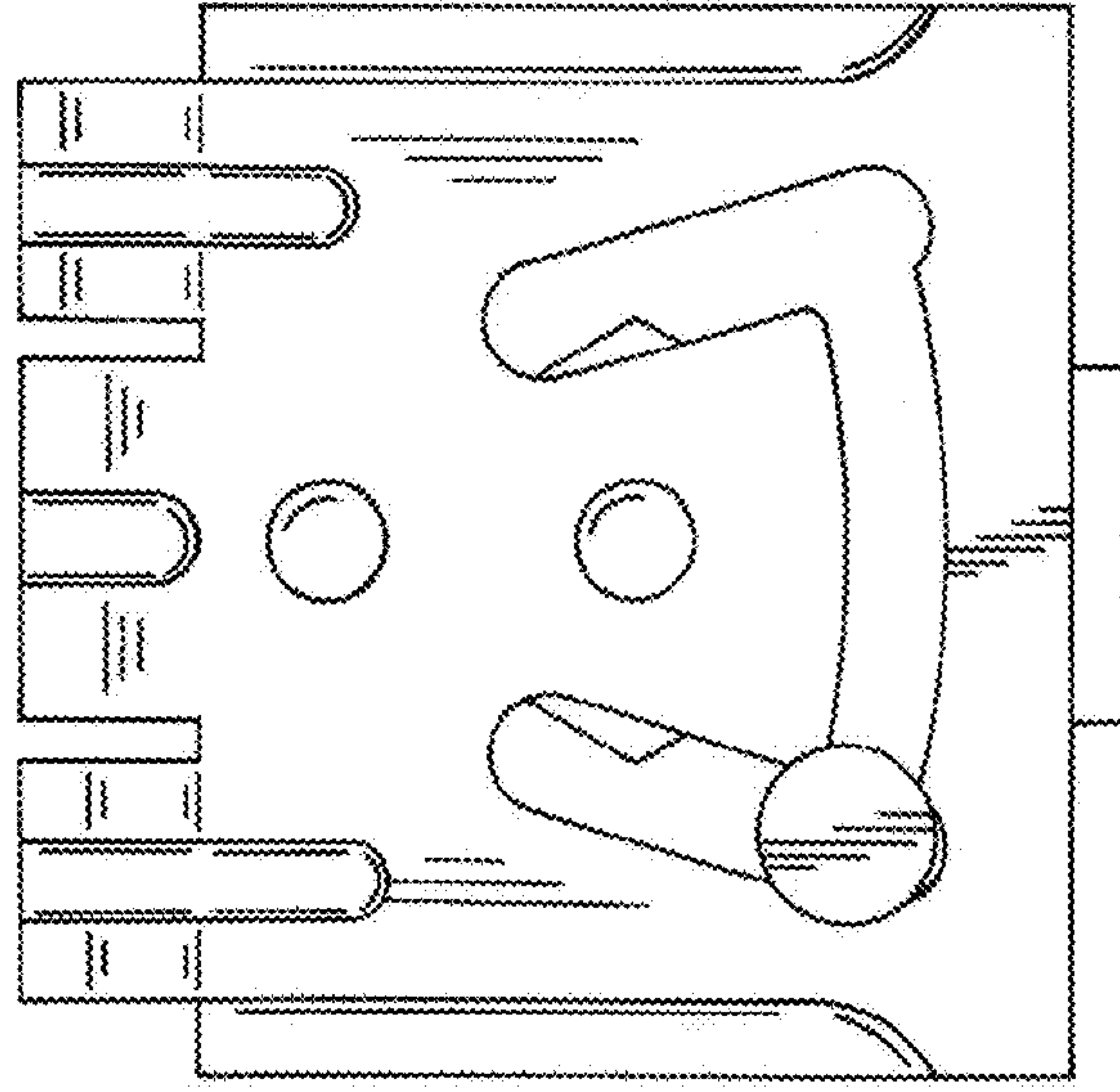


FIG. 2

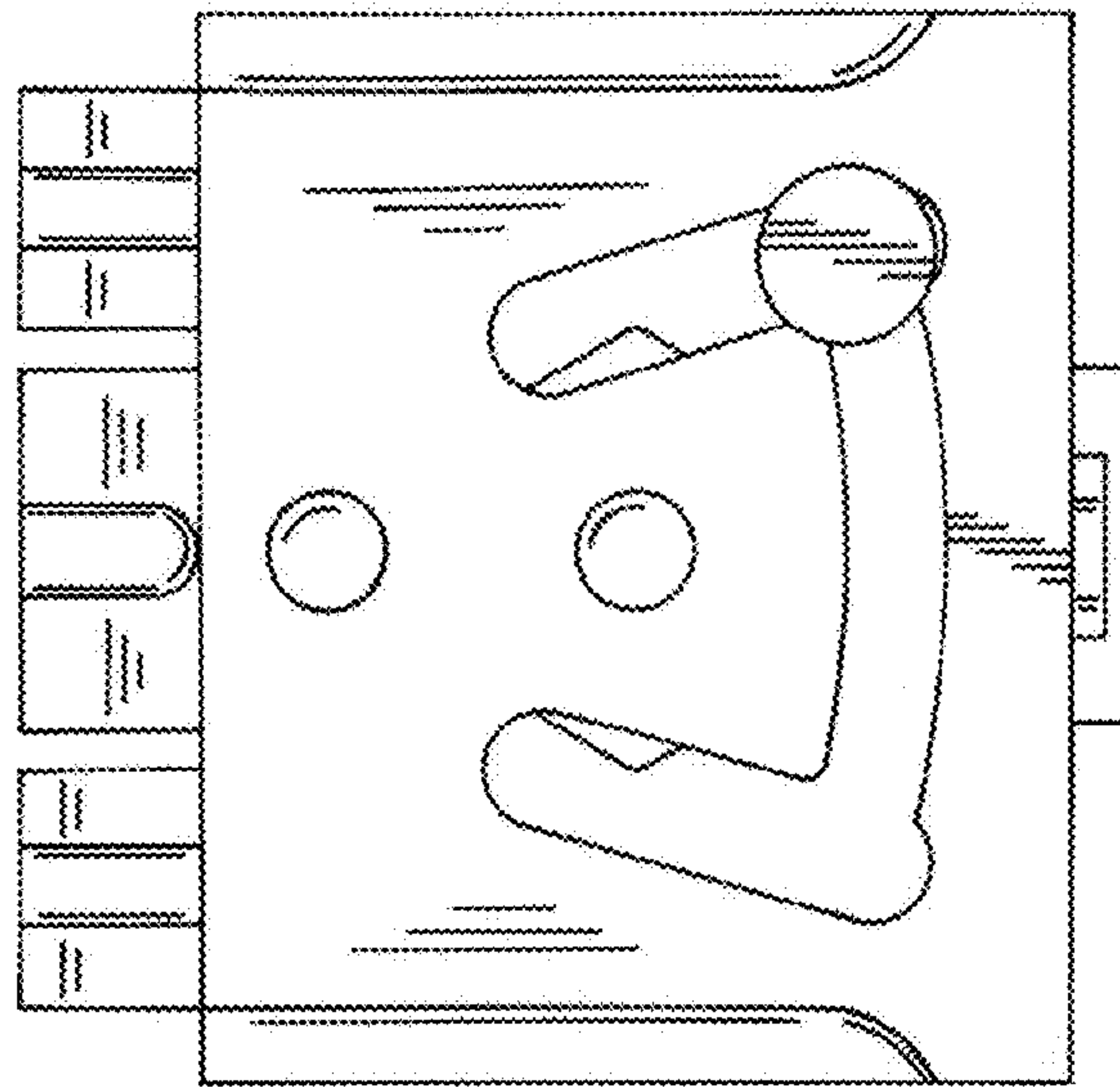


FIG. 3

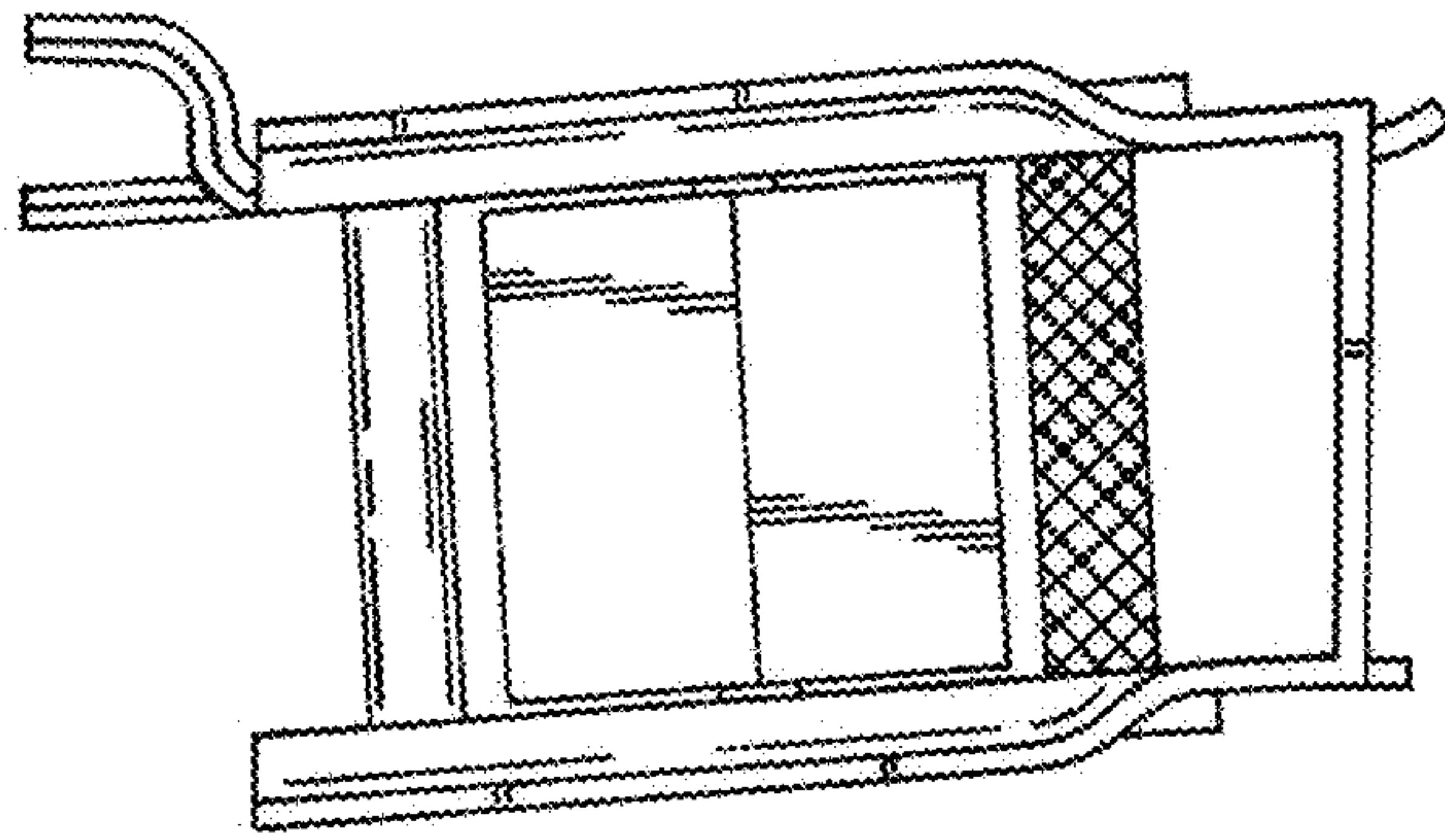


FIG. 5

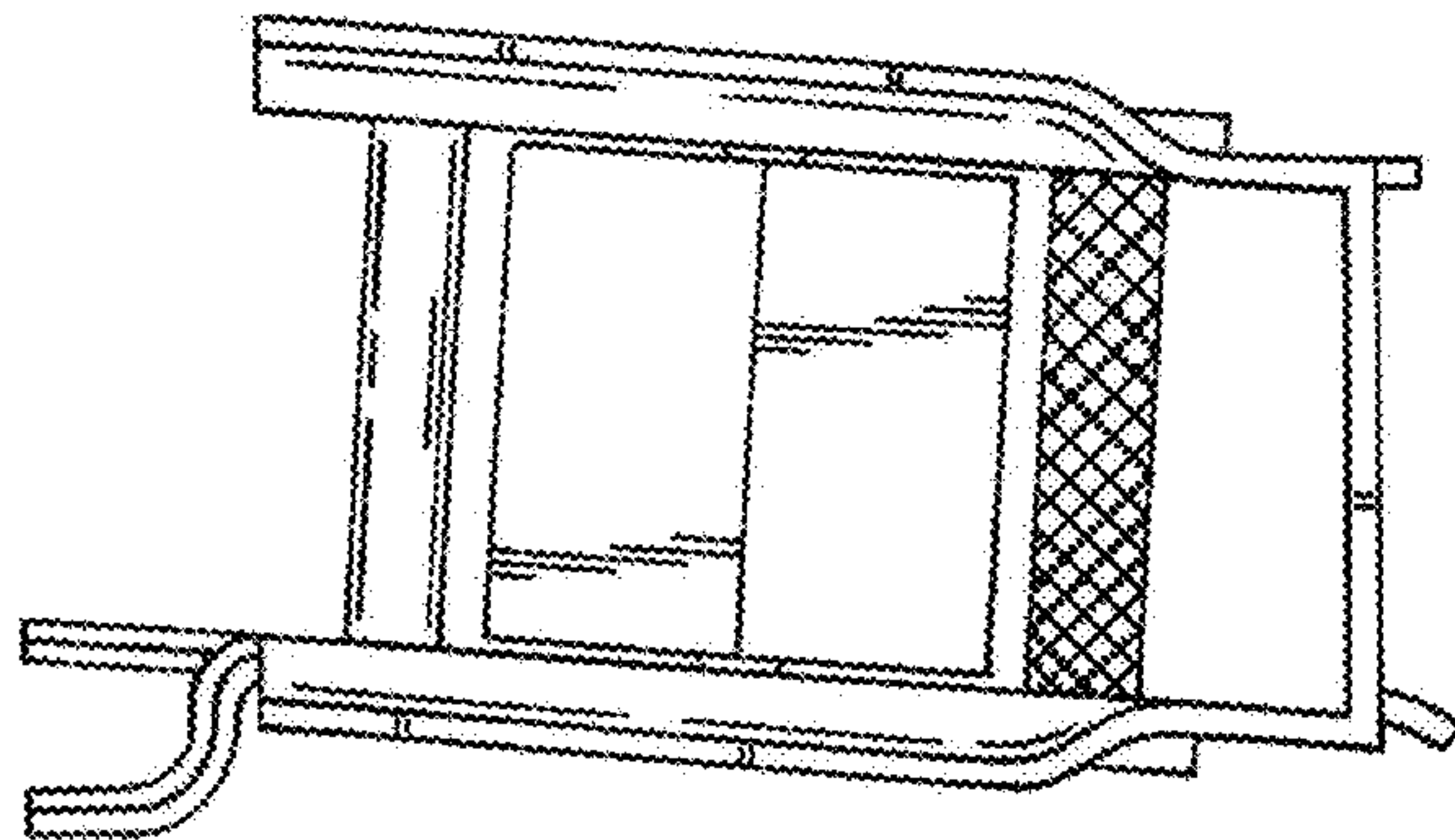


FIG. 4



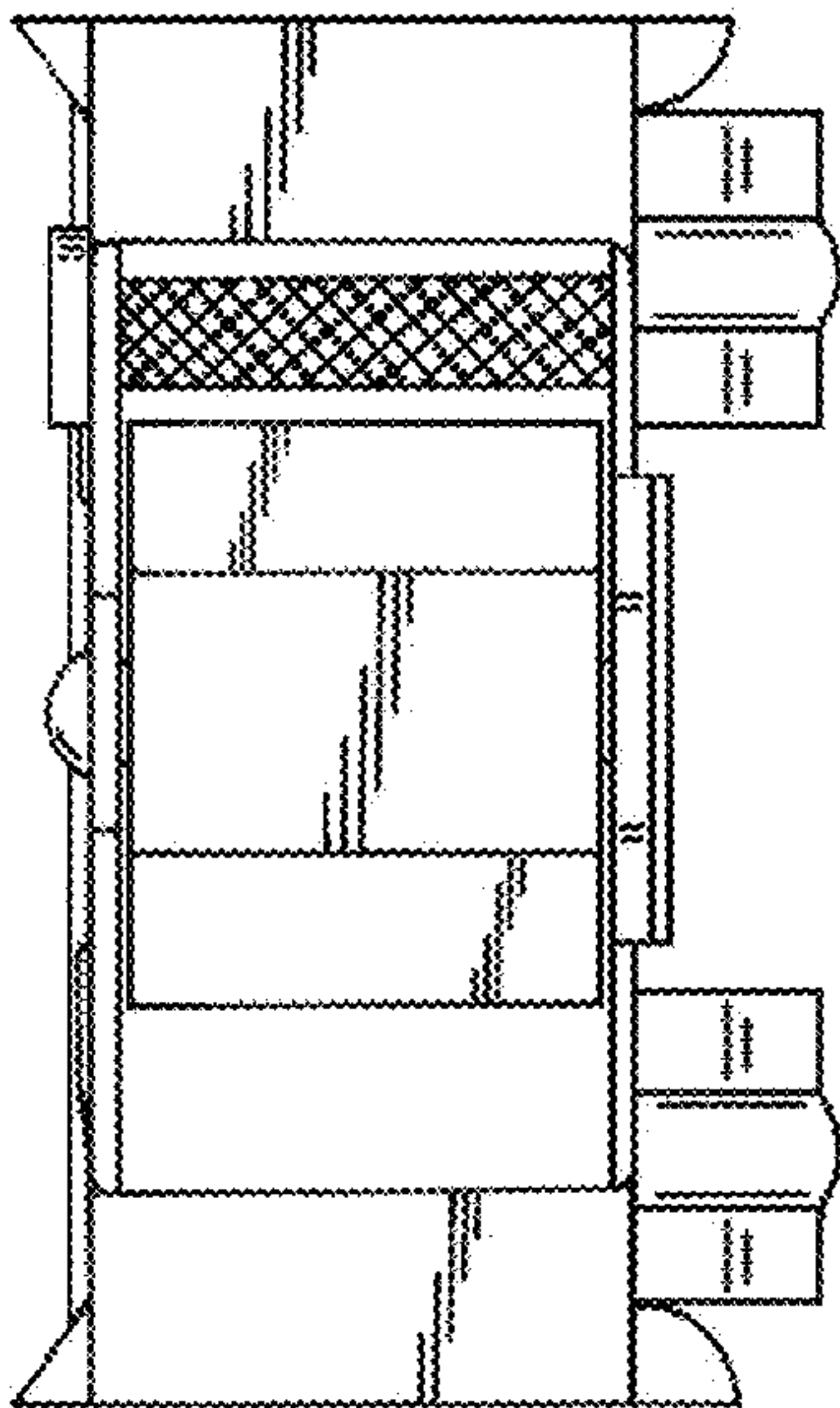


FIG.7

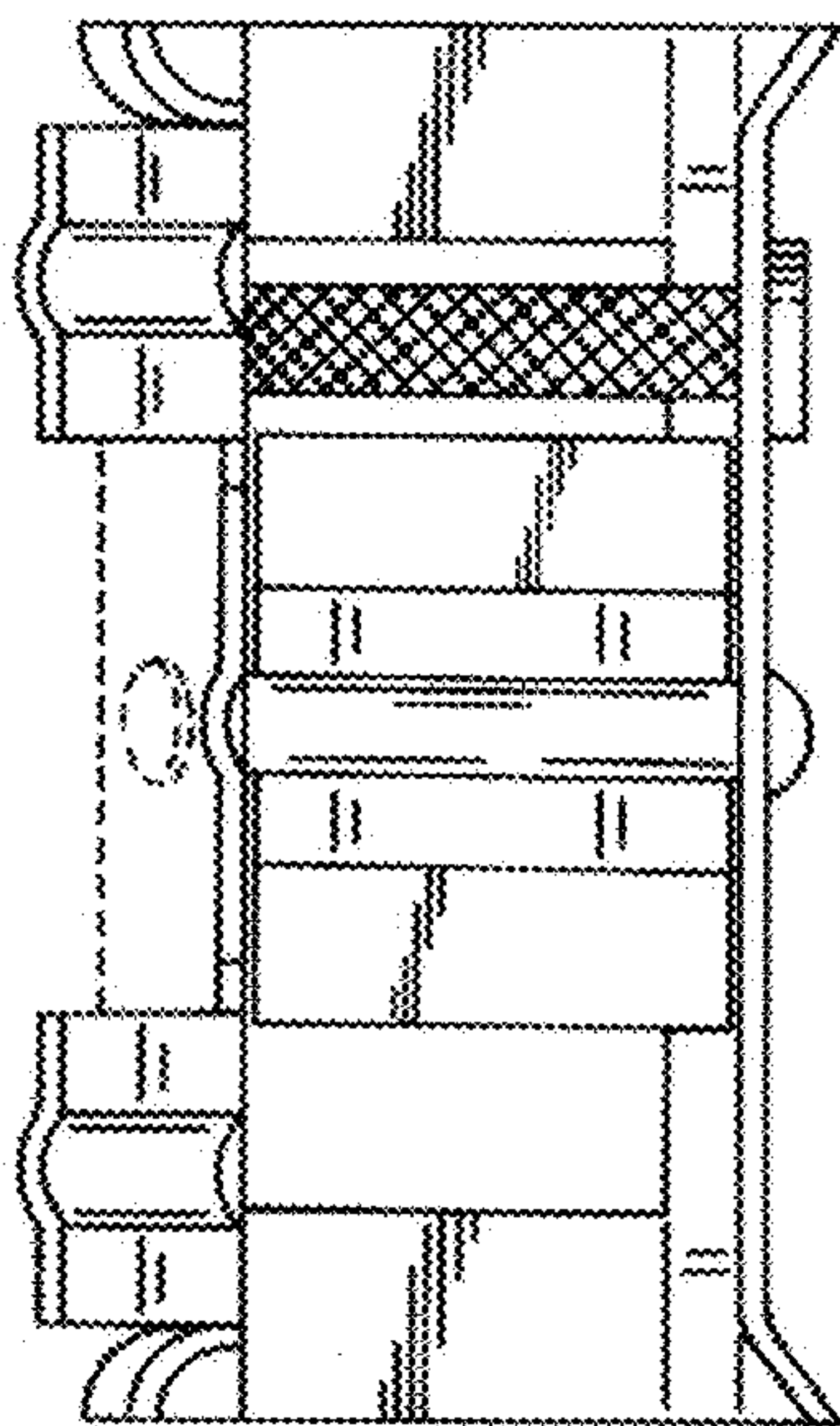


FIG.6