



US00D732378S

(12) **United States Design Patent**
Oquendo et al.

(10) **Patent No.:** **US D732,378 S**
(45) **Date of Patent:** **** Jun. 23, 2015**

(54) **UNIVERSAL MOUNTING DEVICE**

(56) **References Cited**

(71) Applicants: **Marcos Oquendo**, Miami, FL (US);
Brian Wadey, Sumner, WA (US)

U.S. PATENT DOCUMENTS

(72) Inventors: **Marcos Oquendo**, Miami, FL (US);
Brian Wadey, Sumner, WA (US)

D88,229	S	*	11/1932	Hamm	D8/363
D224,085	S	*	7/1972	Cuva	D8/363
D318,607	S	*	7/1991	Reid et al.	D8/363
D374,167	S	*	10/1996	Scholl	D8/363
D433,616	S	*	11/2000	Fischer	D8/355
D544,565	S	*	6/2007	Campbell et al.	D22/110
D569,713	S	*	5/2008	Sandidge	D8/363
D594,739	S	*	6/2009	Lee	D8/363
D618,085	S	*	6/2010	Lin et al.	D8/354
8,770,608	B1	*	7/2014	Chamberlain	280/261
2011/0221161	A1	*	9/2011	Ludovici et al.	280/250.1
2012/0091179	A1	*	4/2012	Wotton	224/451
2014/0263509	A1	*	9/2014	Oquendo et al.	224/447

(**) Term: **14 Years**

(21) Appl. No.: **29/467,008**

(22) Filed: **Sep. 13, 2013**

(51) **LOC (10) Cl.** **08-05**

* cited by examiner

(52) **U.S. Cl.**
USPC **D8/363**

Primary Examiner — Karen E Kearney

Assistant Examiner — Nathaniel D Buckner

(58) **Field of Classification Search**
USPC D8/349, 354–355, 363, 380, 382–383,
D8/394; D13/155, 102, 118, 154, 184,
D13/199; D25/119, 123, 124, 125;
D21/484, 500, 504

(74) *Attorney, Agent, or Firm* — Mark T. Vogelbacker; Reed Smith LLP

CPC F24J 2/07; F24J 2/14; F24J 2/541;
F24J 2/542; F24J 2/38; Y02E 10/47; Y02E
10/45; Y02E 10/50; Y02E 10/60; Y02E
10/52; E04H 9/022; E04H 9/021; E02D
27/34; E04B 1/98; H01L 35/00; H01L
31/0522; H01L 35/08; H01L 31/052; H01L
31/042; H01L 31/05; H01L 27/1423; H01L
31/048; H01L 31/045; H01L 31/055; B64G
1/443; B64G 1/222; B60G 2202/143

(57) **CLAIM**

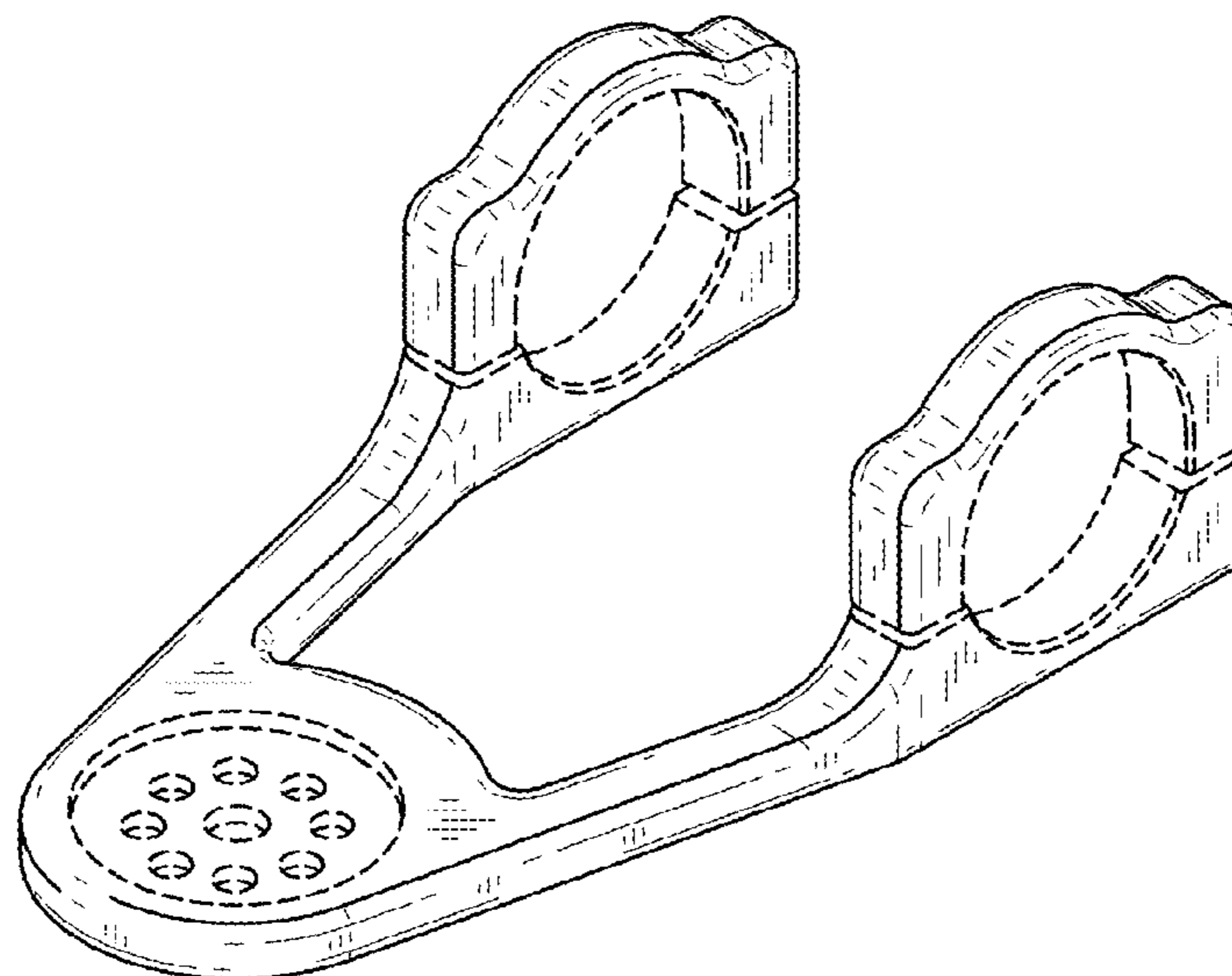
The ornamental design for a universal mounting device, as shown and described.

DESCRIPTION

FIG. 1 is a perspective view of a universal mounting device in accordance with our new design;
FIG. 2 is a left side elevation view thereof, with the right side elevation view being a mirror image thereof;
FIG. 3 is a front elevation view thereof;
FIG. 4 is a rear elevation view thereof;
FIG. 5 is a top plan view thereof; and,
FIG. 6 is a bottom plan view thereof.
The broken lines in the figures illustrate environmental structure only and form no part of the claimed design.

See application file for complete search history.

1 Claim, 3 Drawing Sheets



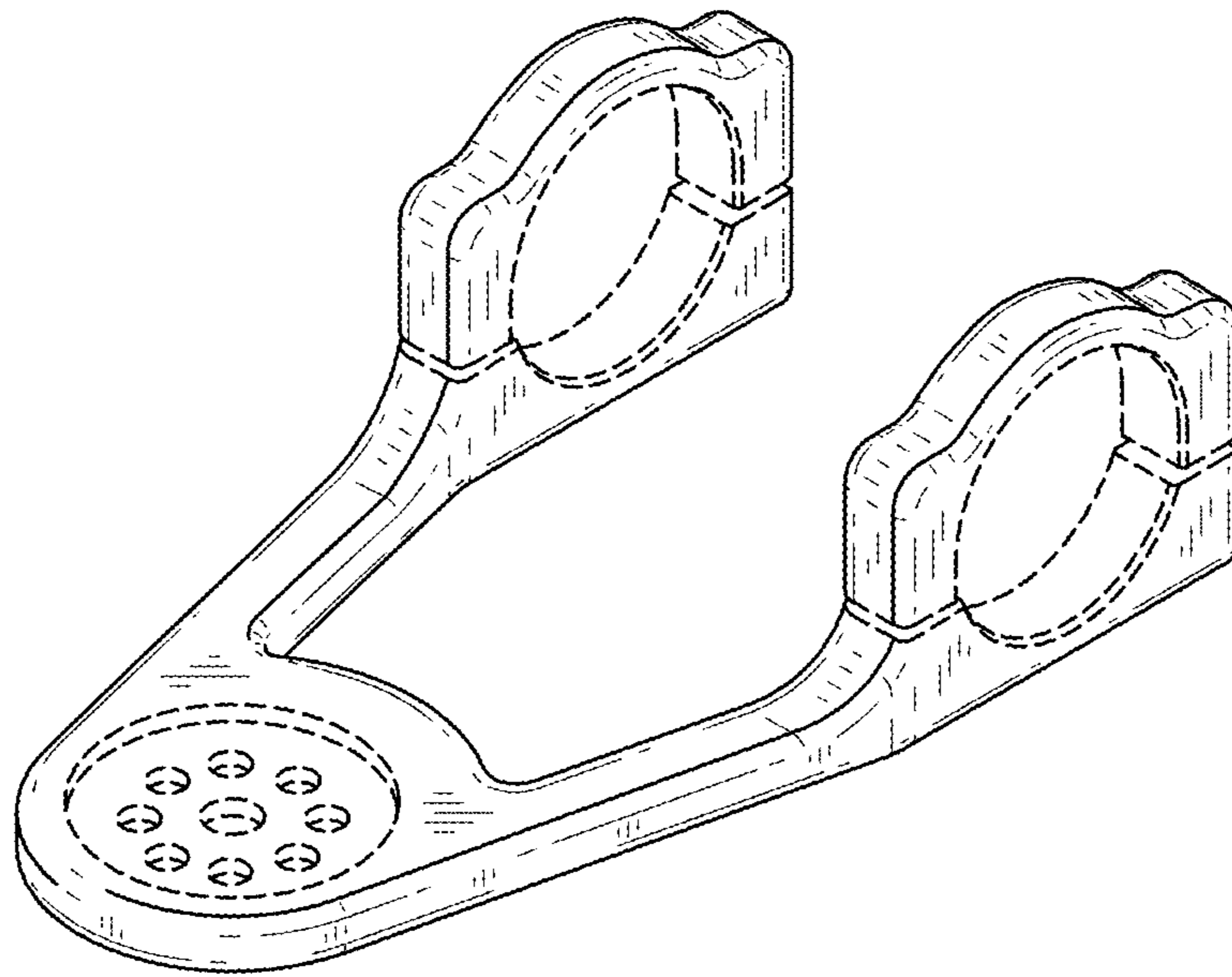


Fig. 1

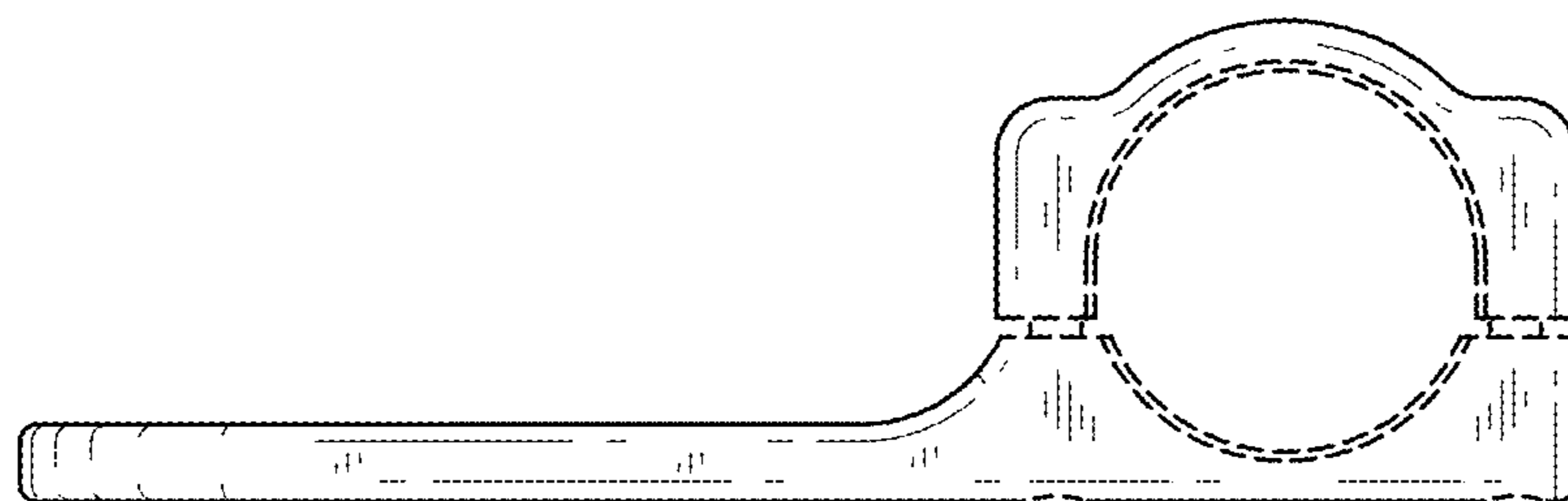


Fig. 2

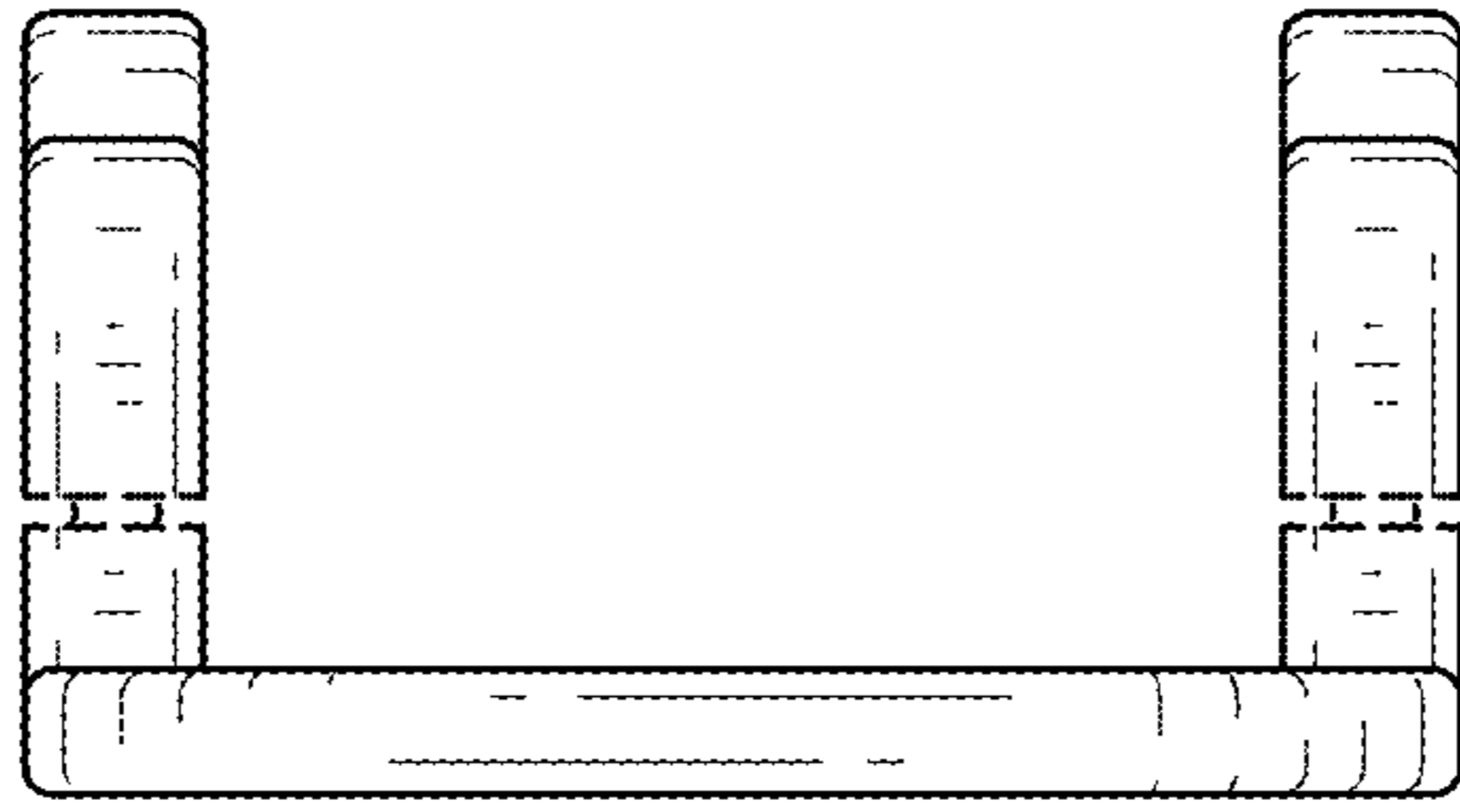


Fig. 3



Fig. 4

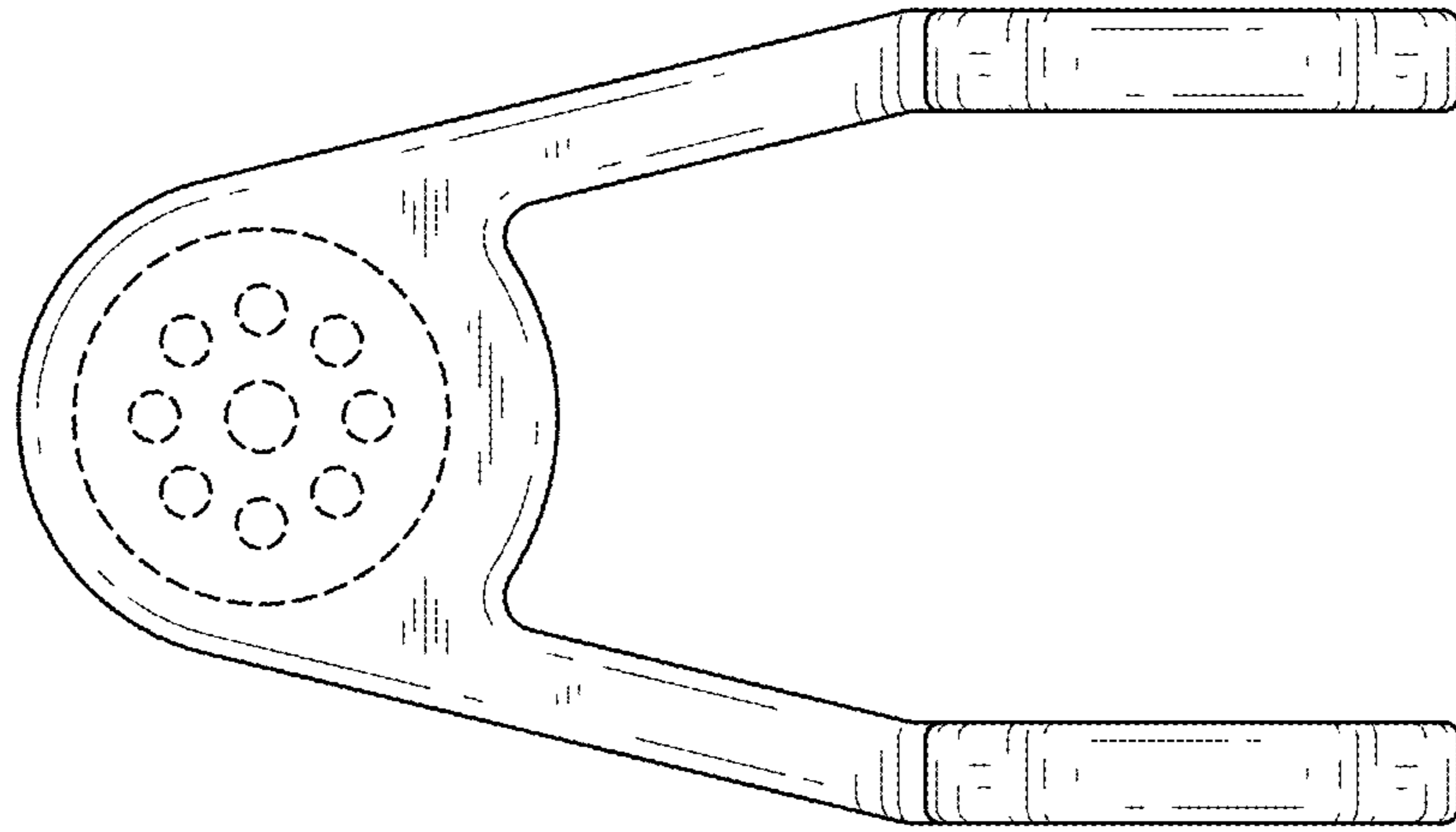


Fig. 5

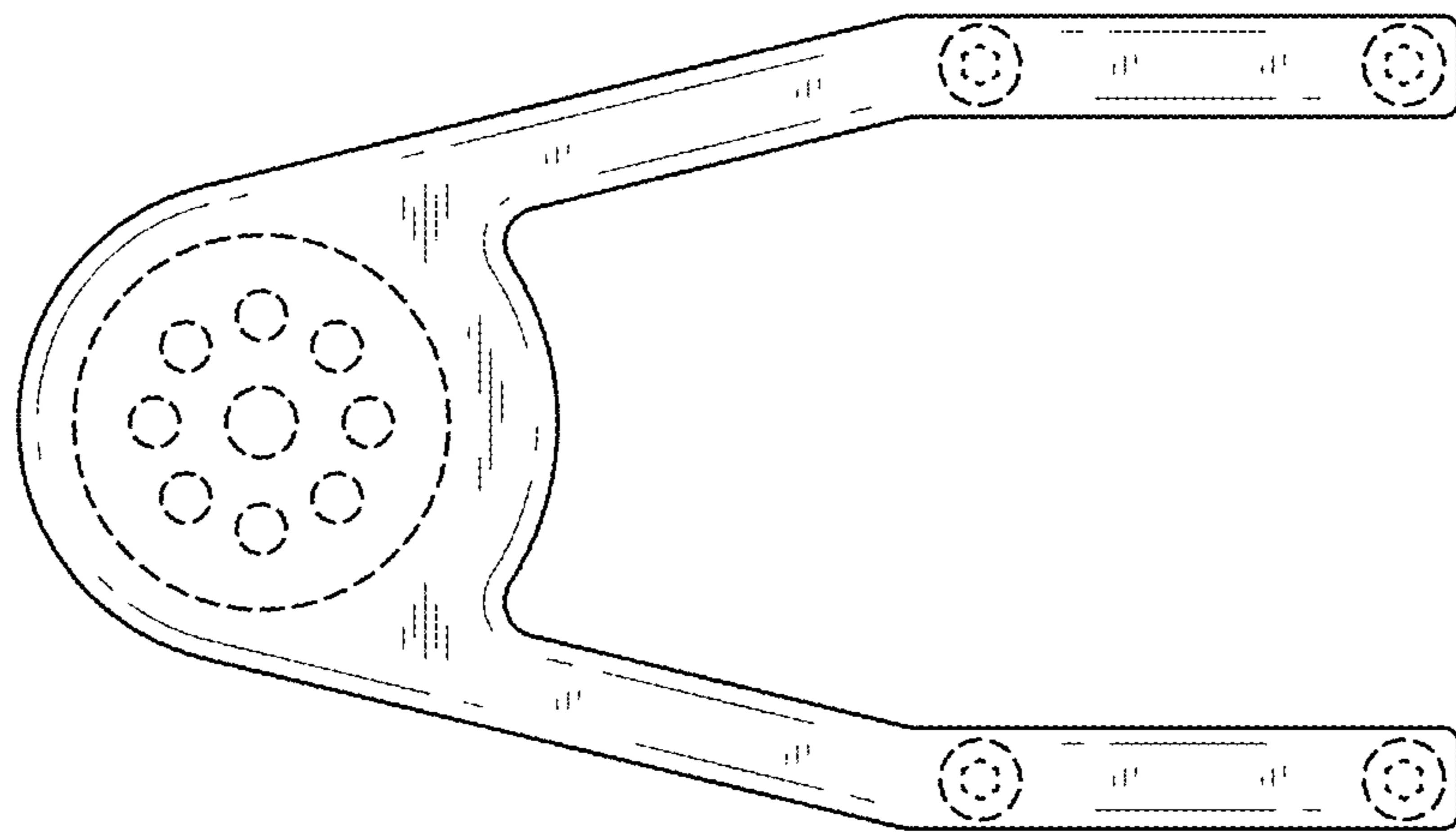


Fig. 6