



US00D732377S

(12) **United States Design Patent**
Miszewski

(10) **Patent No.:** **US D732,377 S**
(45) **Date of Patent:** **** Jun. 23, 2015**

(54) **DOUBLE-PIN SHACKLE**

(71) Applicant: **Jerry Miszewski**, Davis, CA (US)

(72) Inventor: **Jerry Miszewski**, Davis, CA (US)

(**) Term: **14 Years**

(21) Appl. No.: **29/478,864**

(22) Filed: **Jan. 9, 2014**

(51) **LOC (10) Cl.** **08-05**

(52) **U.S. Cl.**
USPC **D8/356**

(58) **Field of Classification Search**
USPC D8/367, 356, 371, 373, 354, 355, 349;
D6/323; D3/24; 248/215, 301, 339,
248/349.1; 160/349.2; 24/265 H, 265 R,
24/599.1, 599.8, 113 R, 573.5; 294/82.18;
29/525.1, 45.3; 223/106; D14/432,
D14/140, 217
CPC ... G06F 1/1626; G06F 1/1633; G06F 1/1675;
G06F 1/1679; G02F 1/1306; G02F 1/133;
G02F 1/133308; G02F 1/153; G02F 1/1533;
G02F 2001/133317; H04M 1/185; H04M
1/0252; H04B 1/3888
See application file for complete search history.

D265,173 S * 6/1982 Brooks D8/356
4,788,927 A * 12/1988 Casey 114/249
5,046,881 A * 9/1991 Swager 403/154
5,114,260 A * 5/1992 Hart et al. 403/24
RE34,046 E * 9/1992 Shahan 59/35.1
5,433,547 A * 7/1995 Hart et al. 403/24
6,023,927 A * 2/2000 Epstein 59/86
D433,617 S * 11/2000 Gray, Jr. D8/356
6,145,293 A * 11/2000 Jenkins, Jr. 59/86
7,393,033 B1 * 7/2008 Bisso, IV 294/82.1
7,654,594 B2 * 2/2010 Bisso, IV 294/82.35
7,698,915 B2 * 4/2010 Wyers 70/33
D625,987 S * 10/2010 Barrese D8/367
8,104,988 B2 * 1/2012 Lunn et al. 403/154
8,171,715 B2 * 5/2012 Segura 59/86
8,205,922 B1 * 6/2012 Ohman, Jr. 294/82.11
8,376,434 B2 * 2/2013 Gaibler et al. 294/74
D687,699 S * 8/2013 Hollis et al. D8/356
8,641,076 B2 * 2/2014 Sparkes et al. 280/480

* cited by examiner

Primary Examiner — Cynthia Underwood

(57) **CLAIM**
The ornamental design for a double-pin shackle, as shown.

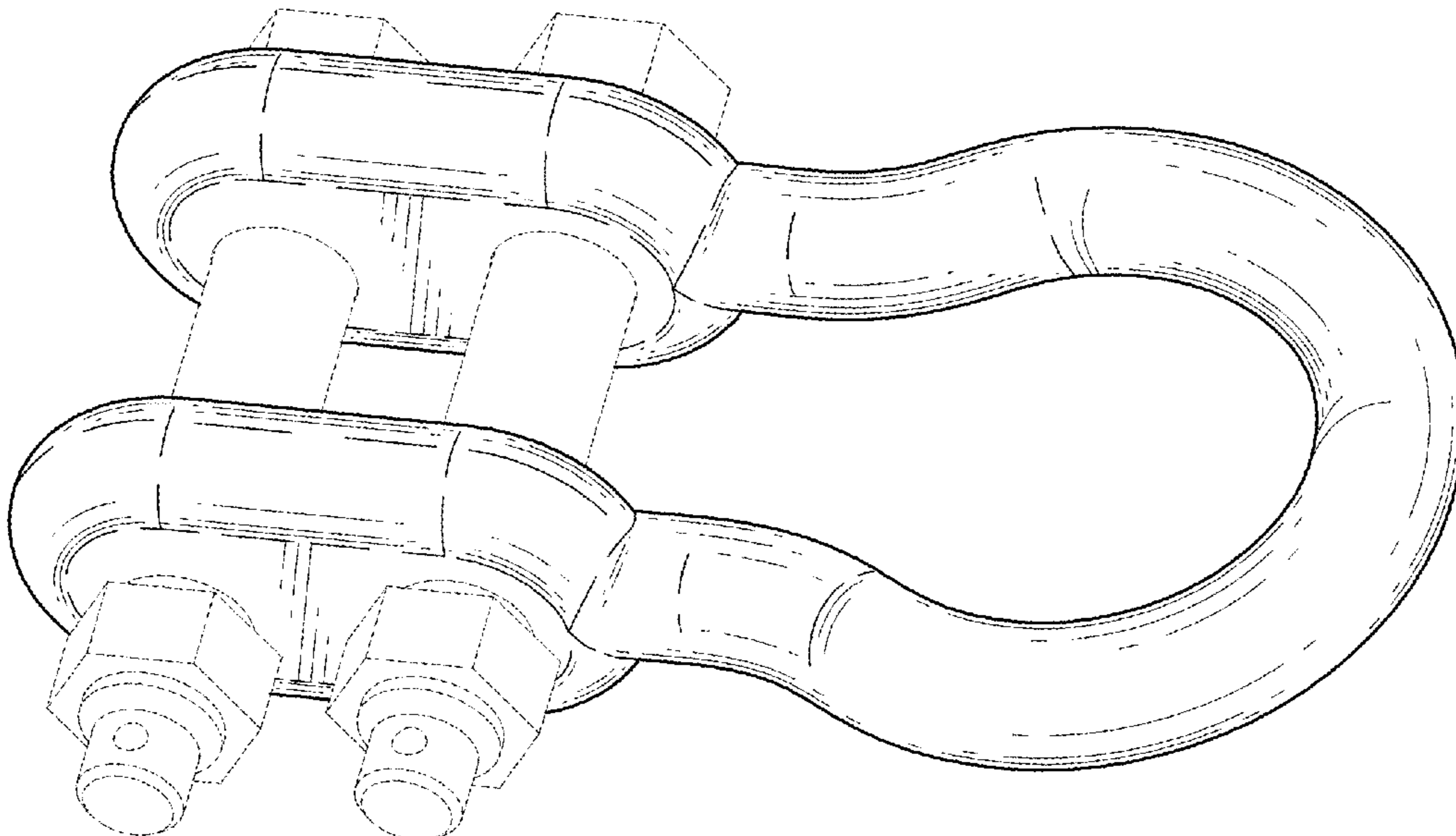
DESCRIPTION

FIG. 1 is a perspective view of a double-pin shackle showing my new design;
FIG. 2 is a perspective view thereof;
FIG. 3 is a right side view thereof;
FIG. 4 is a left side view thereof;
FIG. 5 is a top view thereof; and,
FIG. 6 is a bottom view thereof.
The broken lines illustrate portions of the double-pin shackle that do not form a part of the claimed design.

1 Claim, 6 Drawing Sheets

(56) **References Cited**
U.S. PATENT DOCUMENTS

1,719,673 A * 7/1929 Rottmer 59/86
2,449,593 A * 9/1948 Drake 24/115 R
3,958,411 A * 5/1976 Bernt 59/86
4,079,584 A * 3/1978 Shahan 59/35.1
4,216,987 A * 8/1980 Ely 294/82.35
4,307,567 A * 12/1981 Archer 59/86



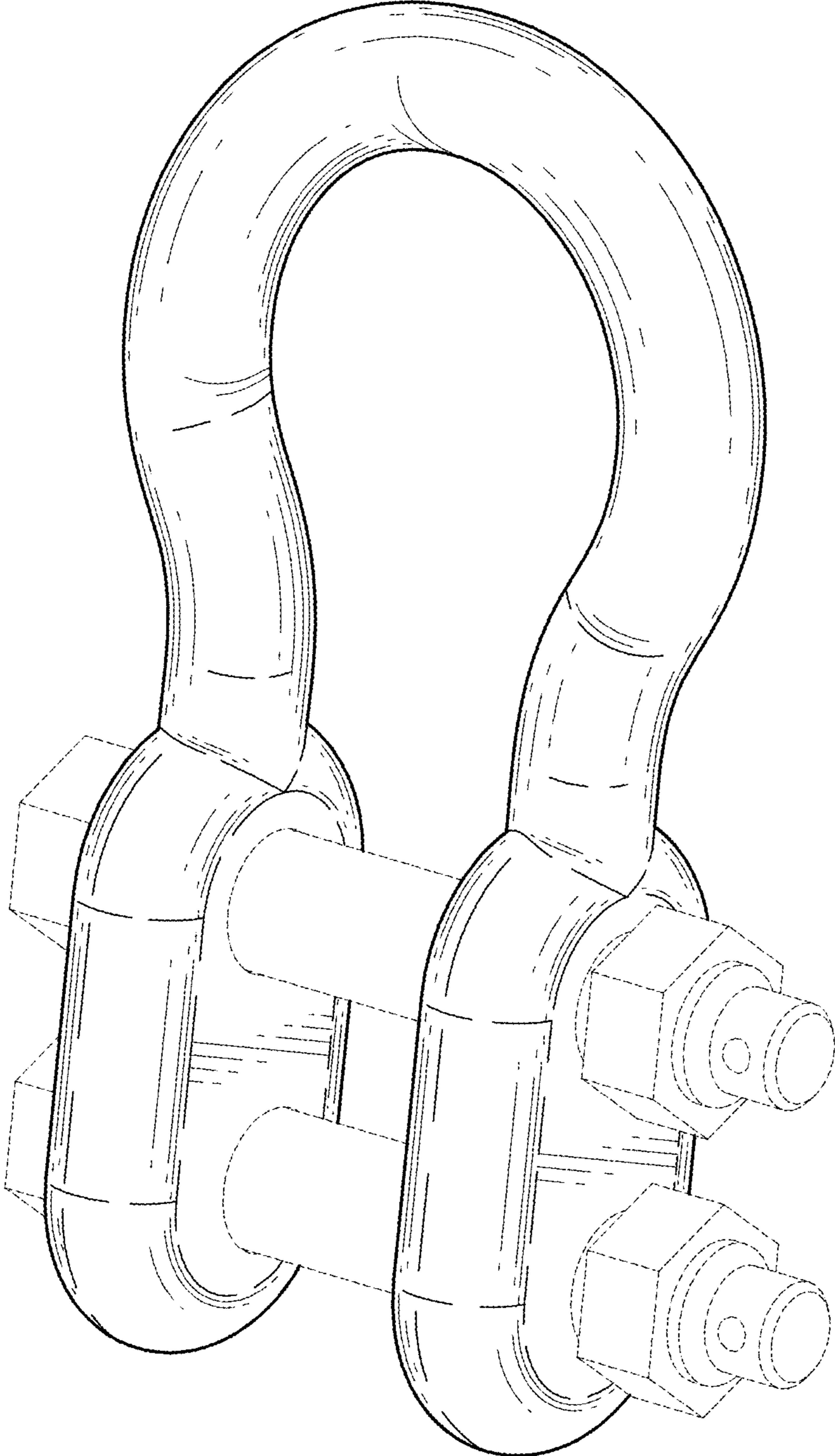


FIG. 1

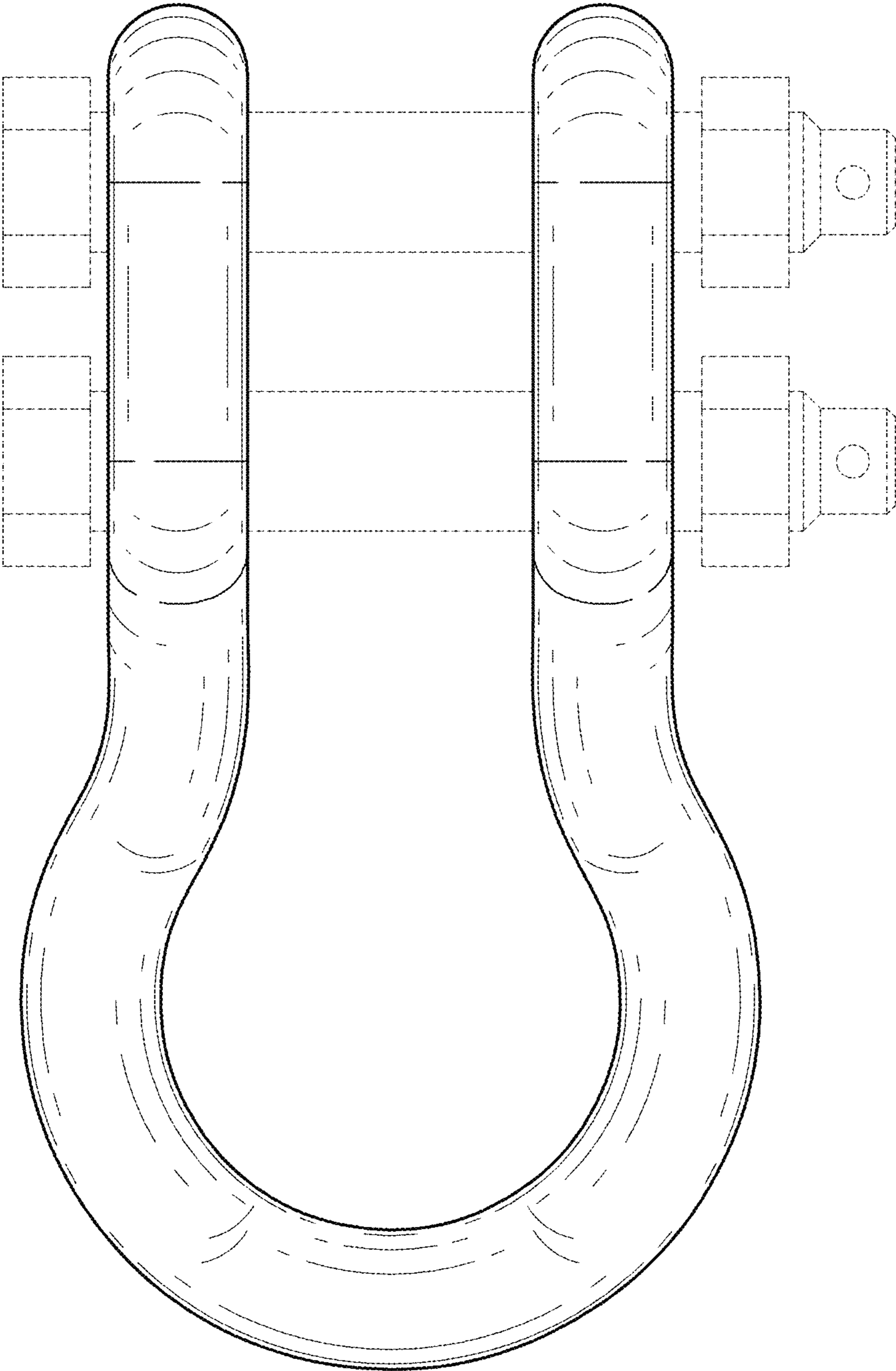


FIG. 2

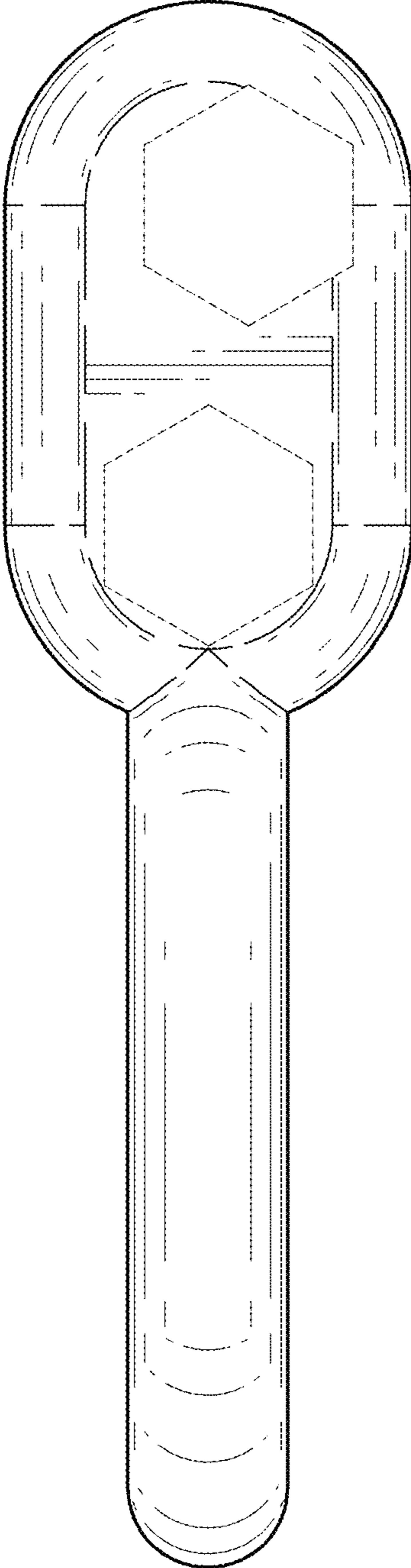


FIG. 3

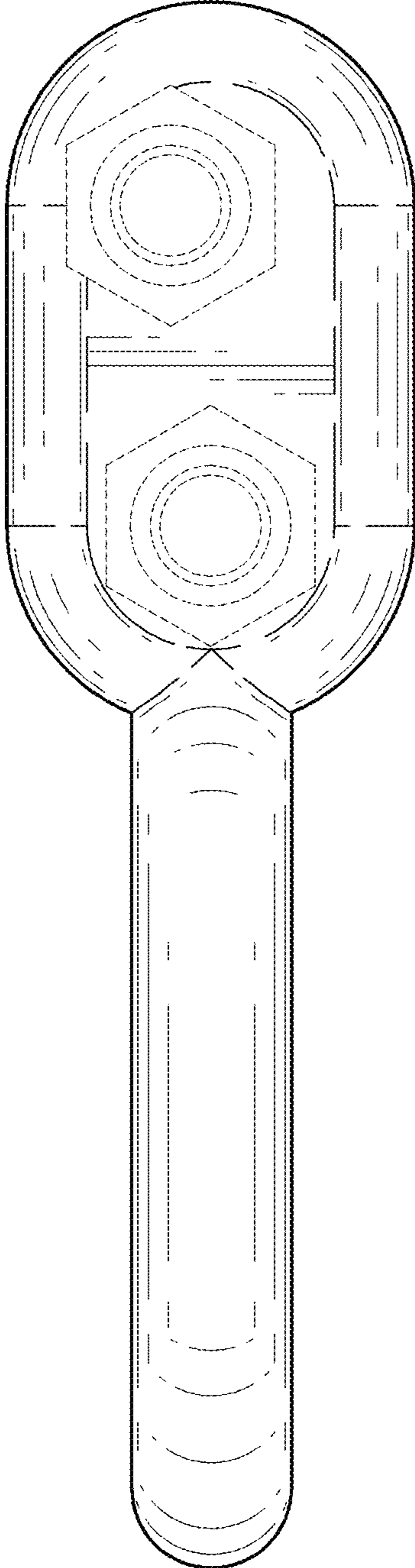


FIG. 4

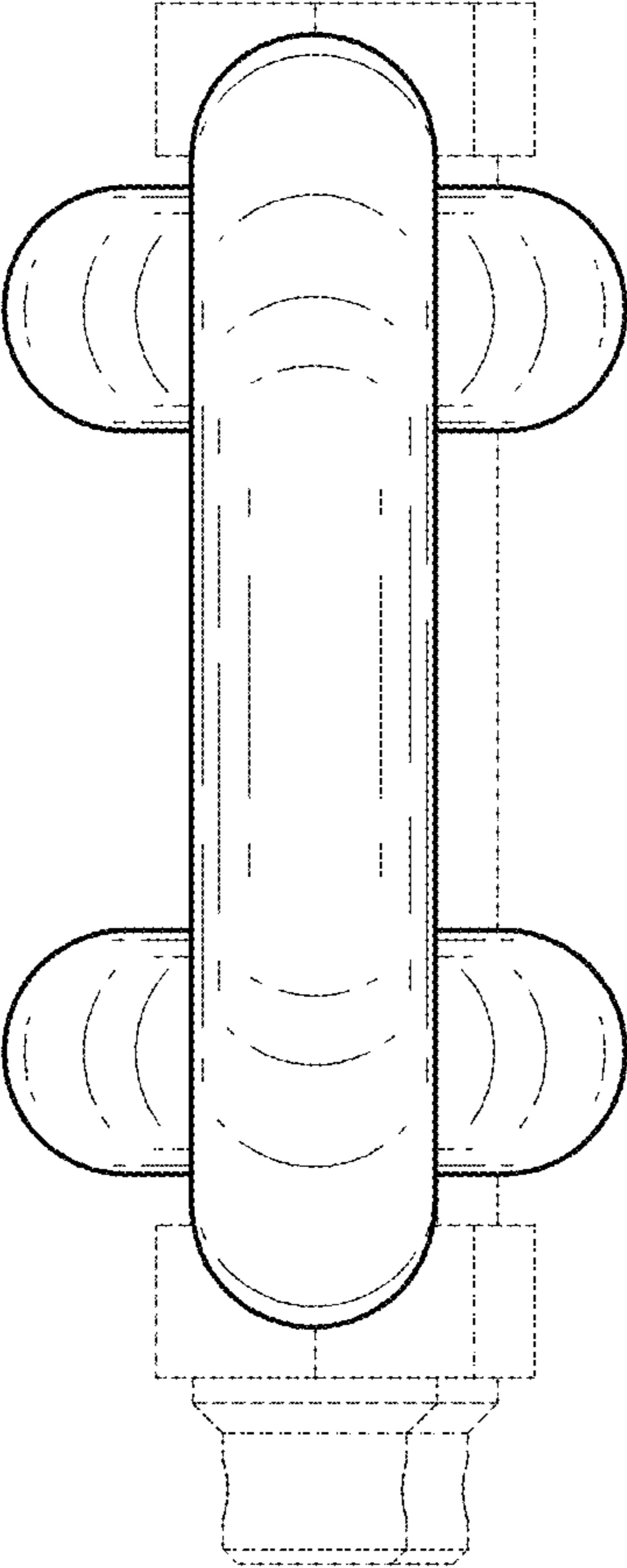


FIG. 5

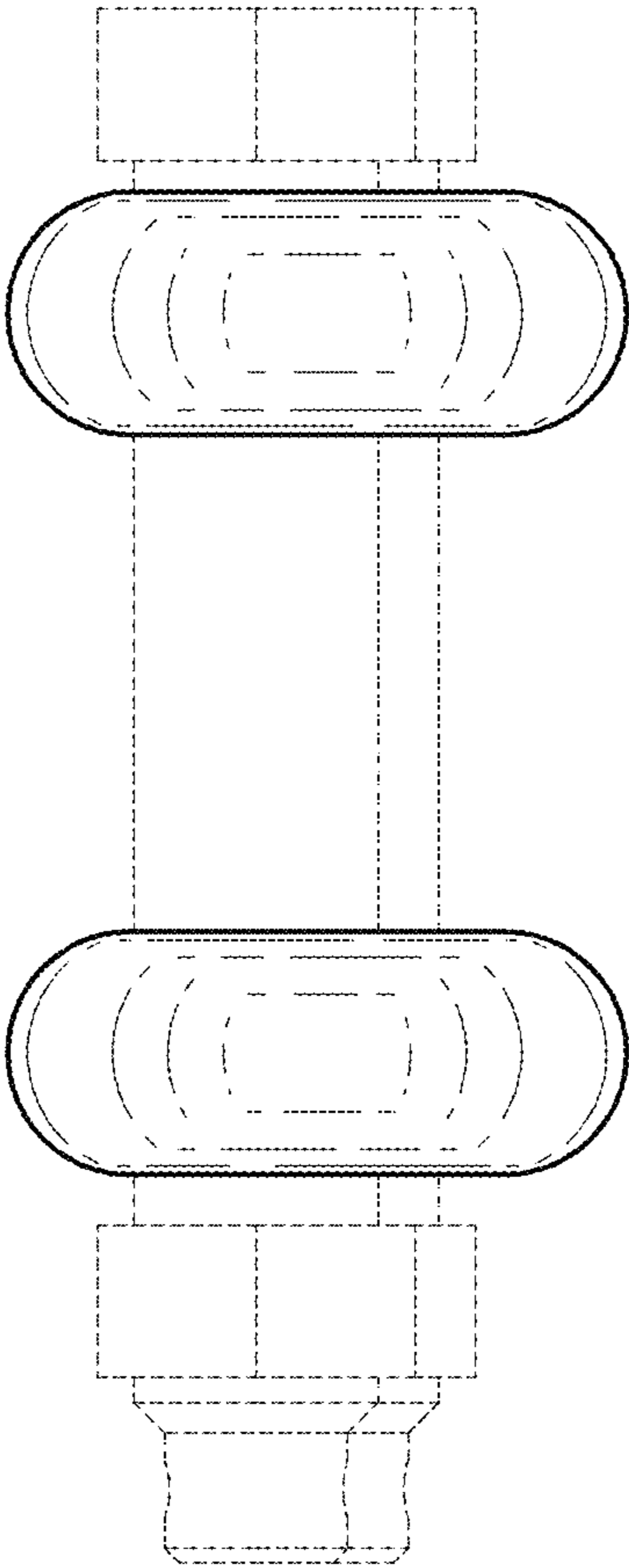


FIG. 6