



US00D732374S

(12) **United States Design Patent**
Herbertsson

(10) **Patent No.:** **US D732,374 S**
(45) **Date of Patent:** **** Jun. 23, 2015**

(54) **BRACKET**

(71) Applicant: **Troax AB**, Hillerstorp (SE)
(72) Inventor: **Ronny Herbertsson**, Hillerstorp (SE)
(73) Assignee: **Troax AB**, Hillerstorp (SE)
(**) Term: **14 Years**
(21) Appl. No.: **29/450,905**

(22) Filed: **Mar. 26, 2013**

(30) **Foreign Application Priority Data**

Sep. 26, 2012 (EM) 002109470-0001

(51) **LOC (10) Cl.** **08-08**

(52) **U.S. Cl.**
USPC **D8/349**

(58) **Field of Classification Search**
USPC D8/330, 331, 434, 349, 354, 355, 363,
D8/364, 372, 373, 380, 381, 400, 499
CPC A47B 96/00; A47B 96/028; A47B 96/024;
A47B 96/06; E04H 17/163; E04H 17/165;
E04B 1/35; B23P 11/00; B23P 17/00
See application file for complete search history.

(56) **References Cited**

U.S. PATENT DOCUMENTS

D254,290	S	*	2/1980	Smith	D8/381
D324,818	S	*	3/1992	Von Gunton et al.	D8/381
D442,471	S	*	5/2001	Willett	D8/354
D463,251	S	*	9/2002	Shea	D8/354
D476,217	S	*	6/2003	Shea	D8/354
D598,273	S	*	8/2009	Nerskov	D8/354
D598,274	S	*	8/2009	Nerskov	D8/354
D606,384	S	*	12/2009	Antonic	D8/354
D660,132	S	*	5/2012	Yoder et al.	D8/354
D714,625	S	*	10/2014	Peterson	D8/381

* cited by examiner

Primary Examiner — Thomas Johannes
Assistant Examiner — Shawn T Gingrich
(74) *Attorney, Agent, or Firm* — WRB-IP LLP

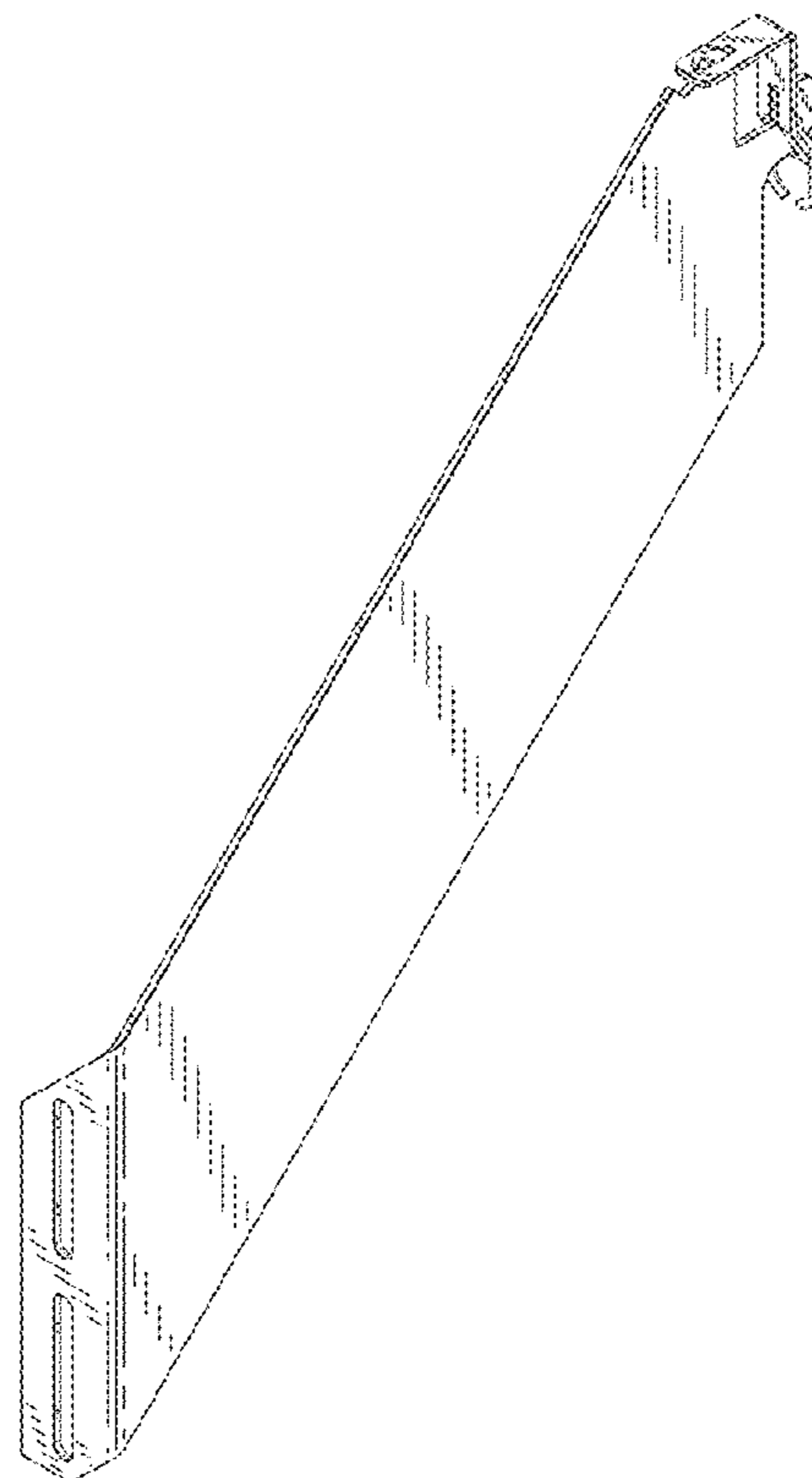
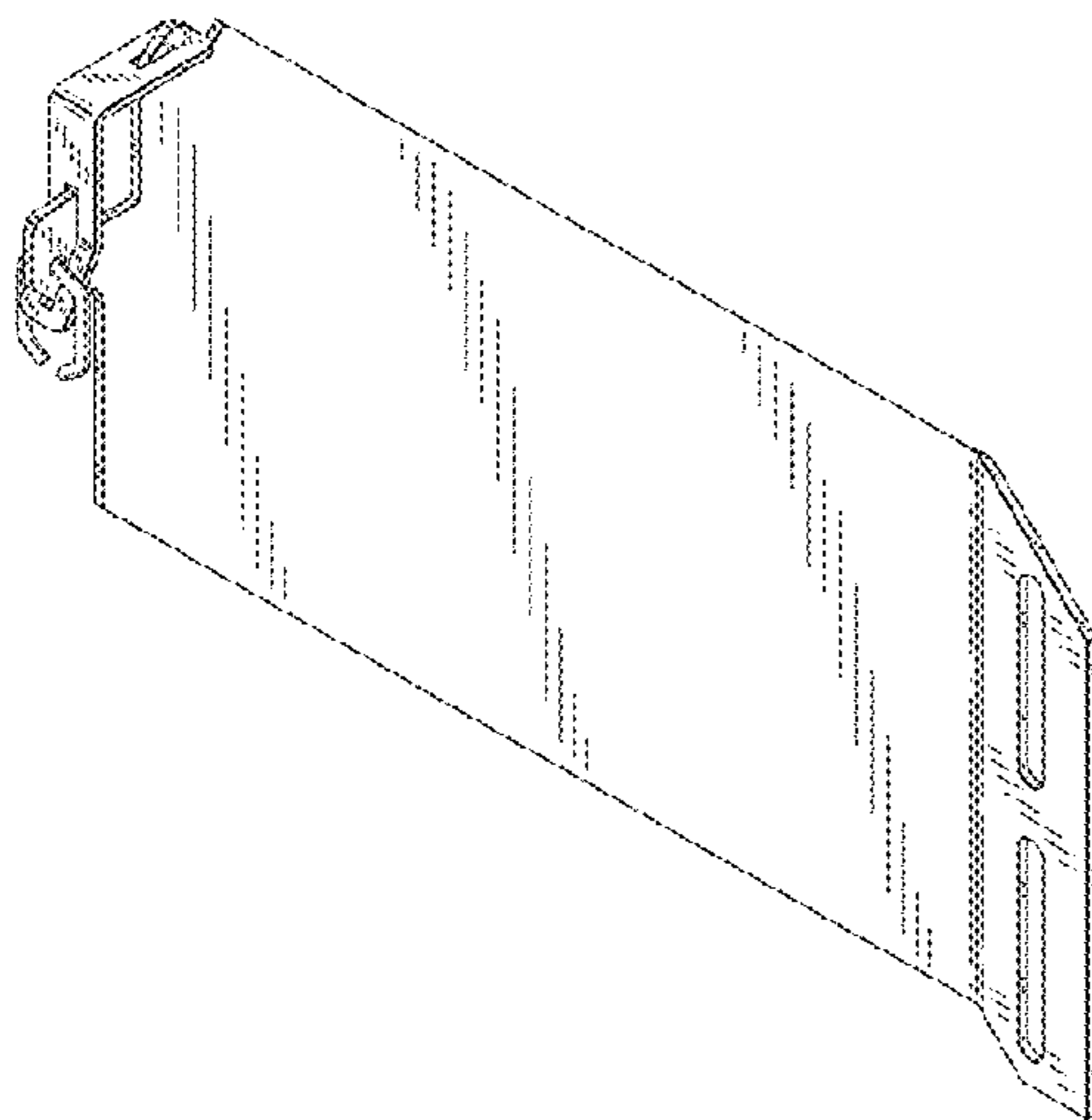
(57) **CLAIM**

The ornamental design for a bracket, as shown and described.

DESCRIPTION

FIG. 1 is a front-right side, perspective view of the bracket, FIG. 2 is a rear-left side, perspective view of the bracket, FIG. 3 is a right side view of the bracket, FIG. 4 is a left side view of the bracket, FIG. 5 is a front view of the bracket, FIG. 6 is a rear view of the bracket, FIG. 7 is a top view of the bracket; and, FIG. 8 is a bottom view of the bracket.

1 Claim, 6 Drawing Sheets



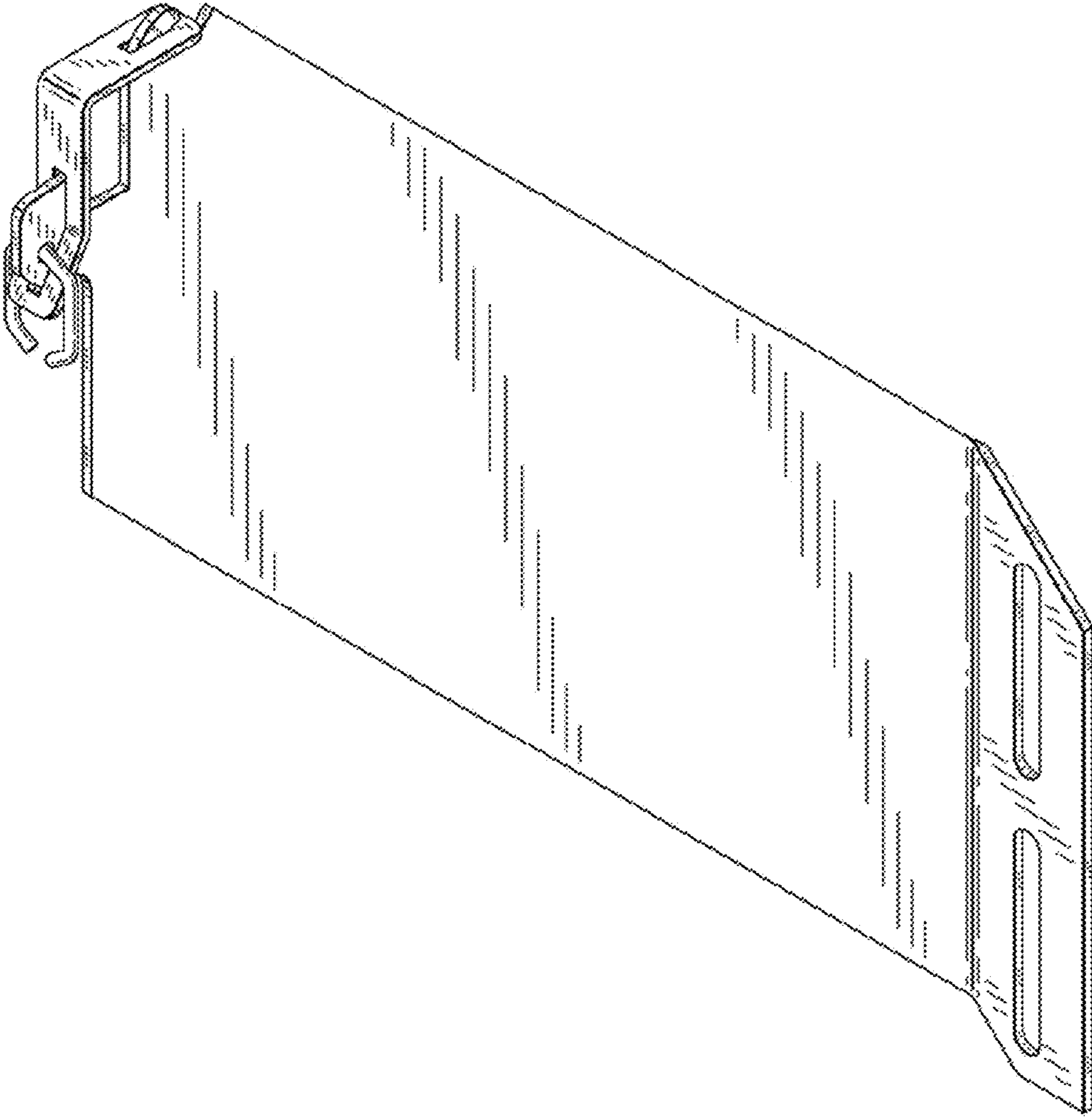


FIG. 1

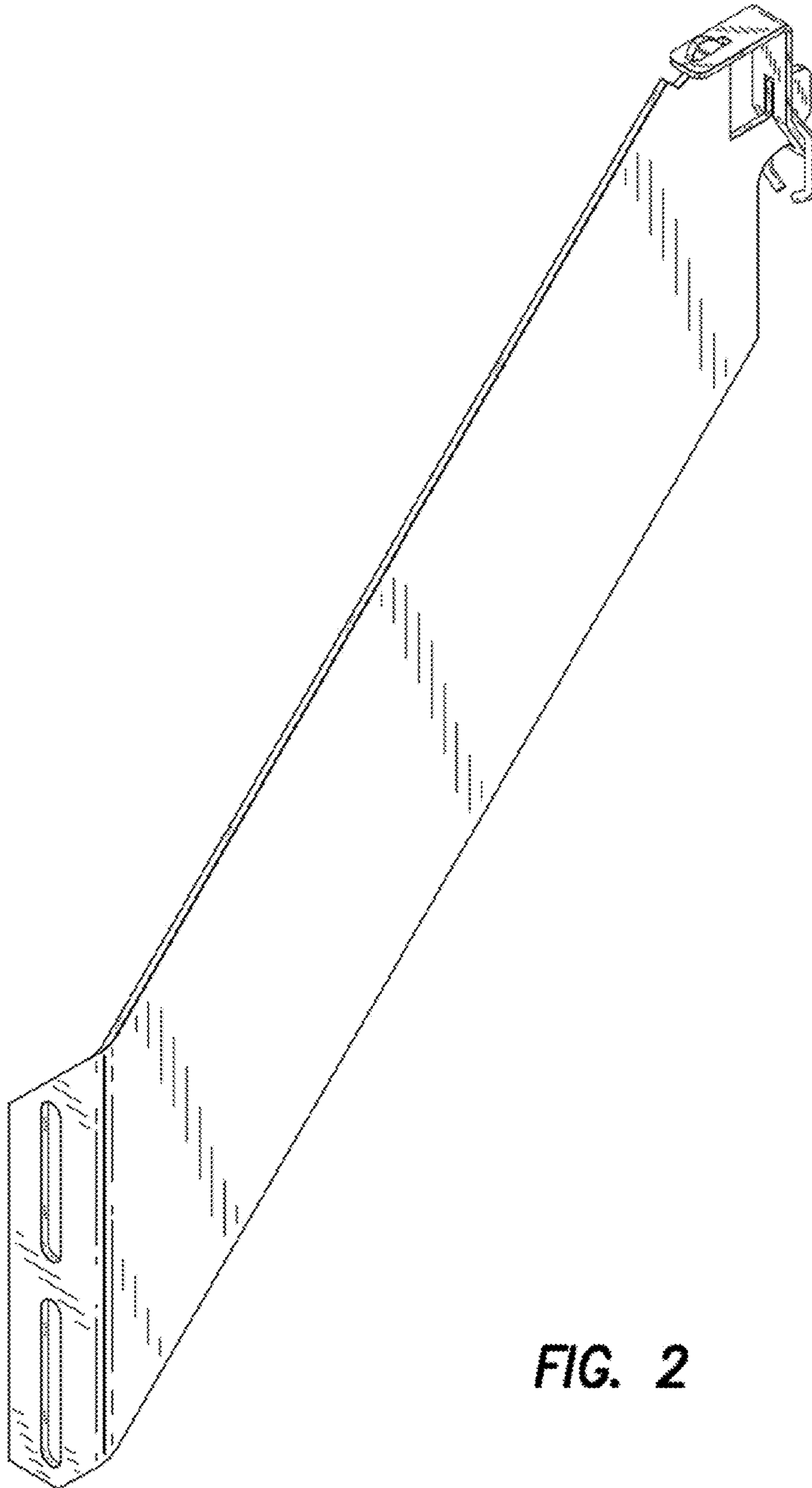


FIG. 2

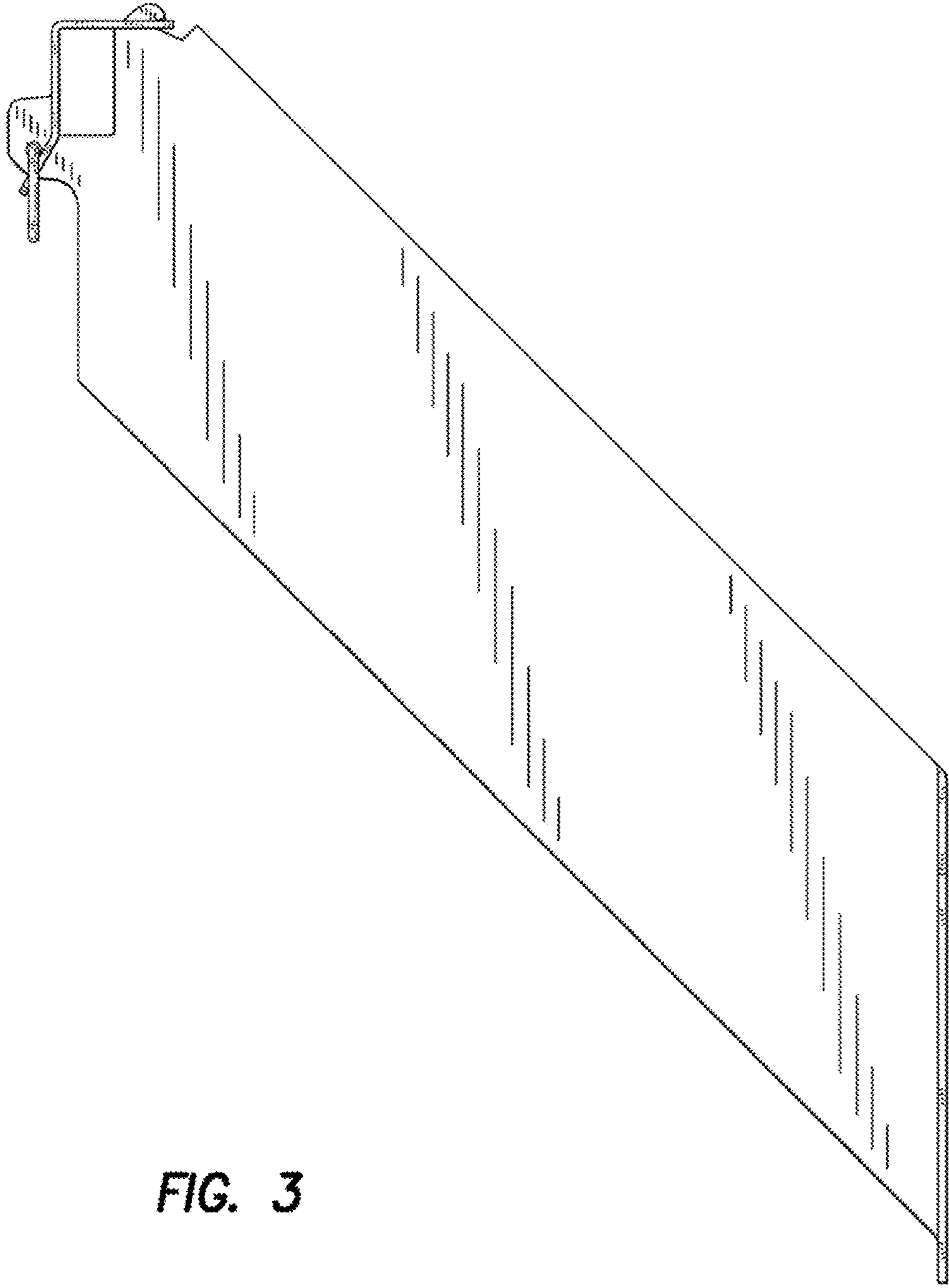


FIG. 3

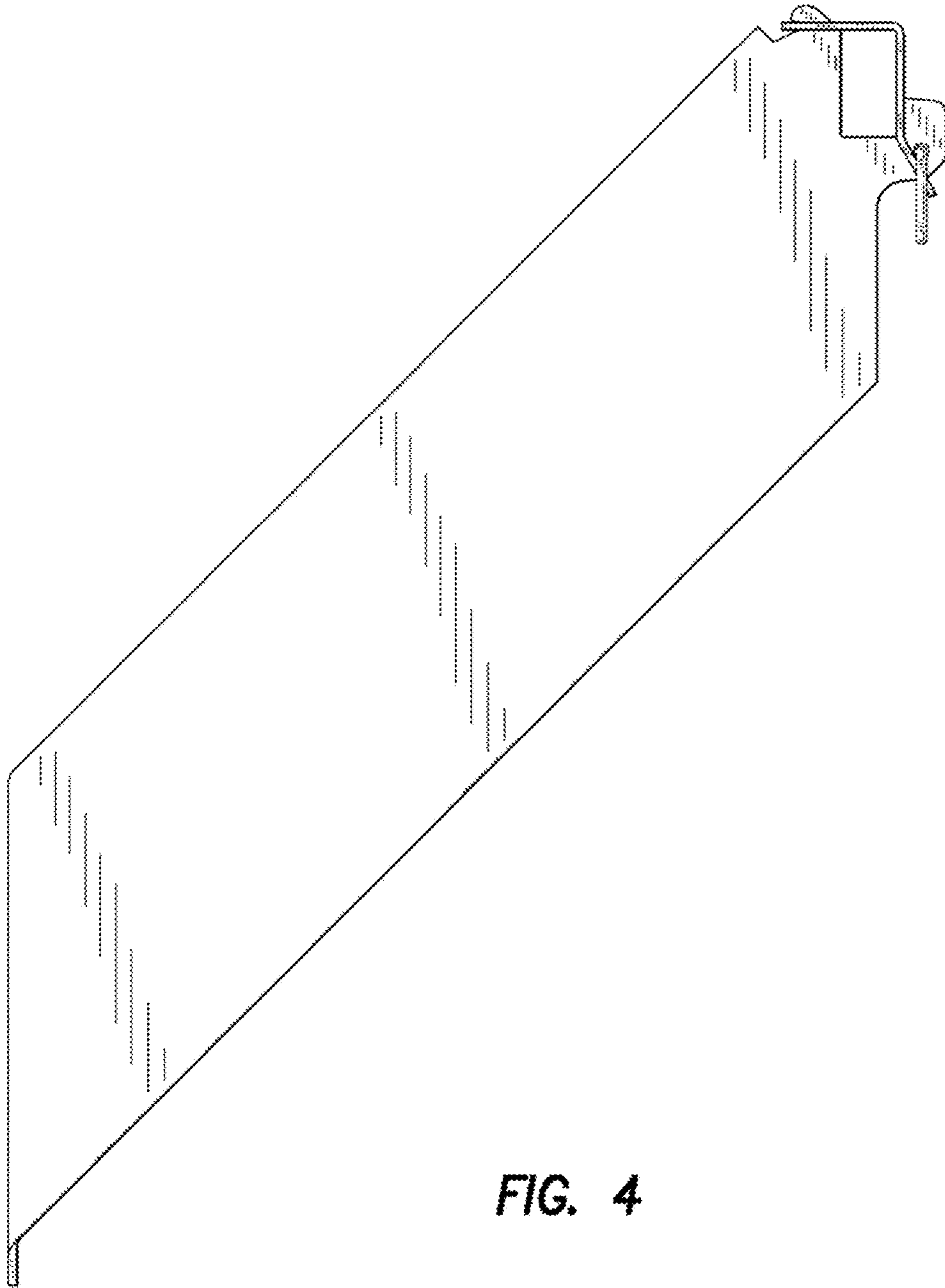


FIG. 4

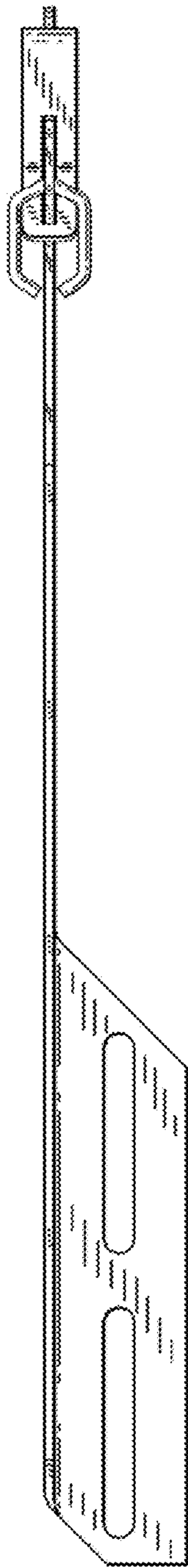


FIG. 5

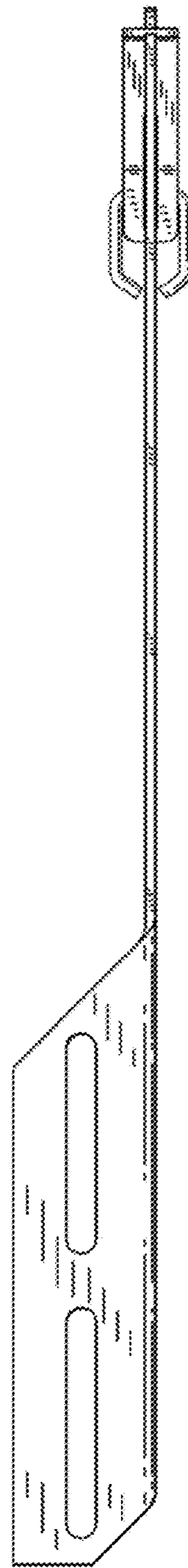


FIG. 6

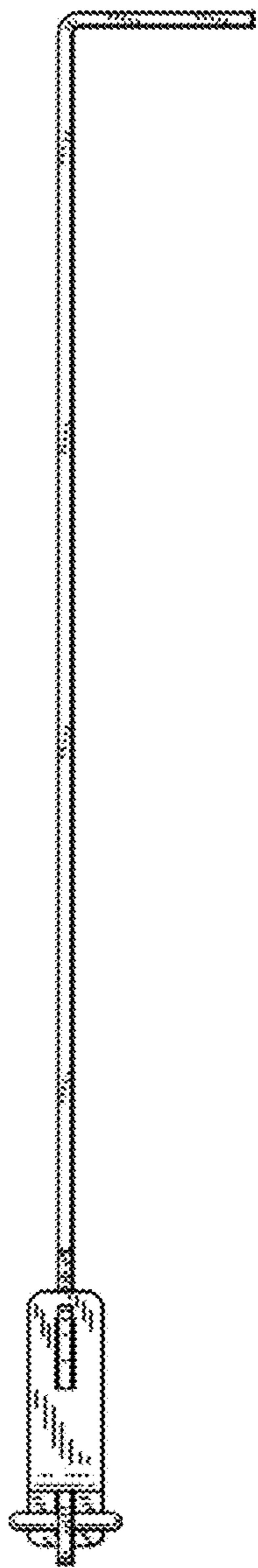


FIG. 7

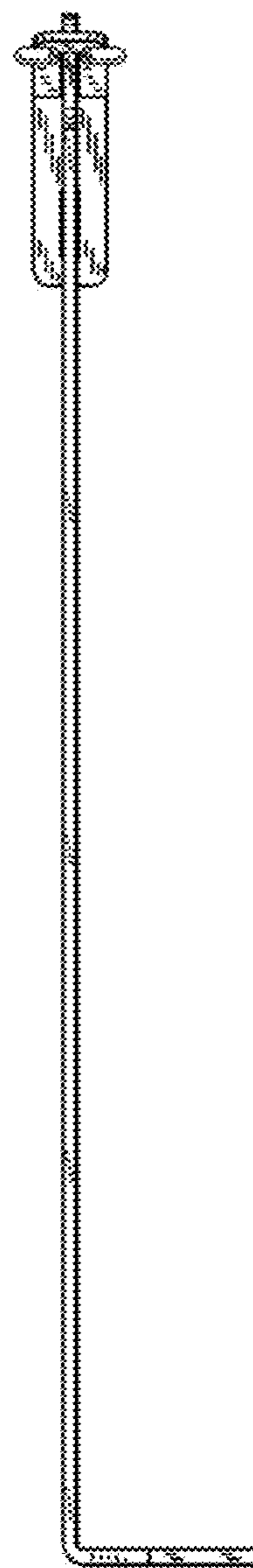


FIG. 8