

US00D732367S

(12) **United States Design Patent**
Parker et al.

(10) **Patent No.:** **US D732,367 S**
(45) **Date of Patent:** **** Jun. 23, 2015**

(54) **UTILITY KNIFE HANDLE**

(71) Applicant: **Irwin Industrial Tool Company,**
Huntersville, NC (US)

(72) Inventors: **Gregory David Parker,** Charlotte, NC
(US); **James Robert Kershaw, Jr.,**
Charlotte, NC (US)

(73) Assignee: **Irwin Industrial Tool Company,**
Huntersville, NC (US)

(**) Term: **14 Years**

(21) Appl. No.: **29/456,434**

(22) Filed: **May 31, 2013**

(51) **LOC (10) Cl.** **08-03**

(52) **U.S. Cl.**
USPC **D8/99**

(58) **Field of Classification Search**
USPC D8/98, 99, 105, 107; D22/118; 7/118;
30/154, 156, 161, 260, 329, 330, 339,
30/340

See application file for complete search history.

(56) **References Cited**

U.S. PATENT DOCUMENTS

D304,154 S *	10/1989	Osterhout	D8/99
6,701,627 B2	3/2004	Korb et al.		
D494,437 S	8/2004	Scarla		
6,914,477 B2	7/2005	Shibahara		
D508,839 S	8/2005	Brown et al.		
D511,288 S	11/2005	Brown et al.		
D511,447 S	11/2005	Brown et al.		

(Continued)

FOREIGN PATENT DOCUMENTS

WO	2003009978	2/2003
WO	2005046945	5/2005

(Continued)

OTHER PUBLICATIONS

Design U.S. Appl. No. 29/422,611, filed May 22, 2012 entitled "Utility Knife Blade," Inventor: Matthew C. Green.

(Continued)

Primary Examiner — Phillip S Hyder

(57) **CLAIM**

The ornamental design for a "utility knife handle," as shown and described.

DESCRIPTION

FIG. 1 is a front and right side perspective view of a utility knife handle, showing the front, right, and top sides of our new design;

FIG. 2 is a right side view of the utility knife handle shown in FIG. 1;

FIG. 3 is a left side view of the utility knife handle shown in FIG. 1;

FIG. 4 is a top plan view of the utility knife handle shown in FIG. 1;

FIG. 5 is a bottom plan view of the utility knife handle shown in FIG. 1;

FIG. 6 is a front view of the utility knife handle shown in FIG. 1;

FIG. 7 is a rear view of the utility knife handle shown in FIG. 1;

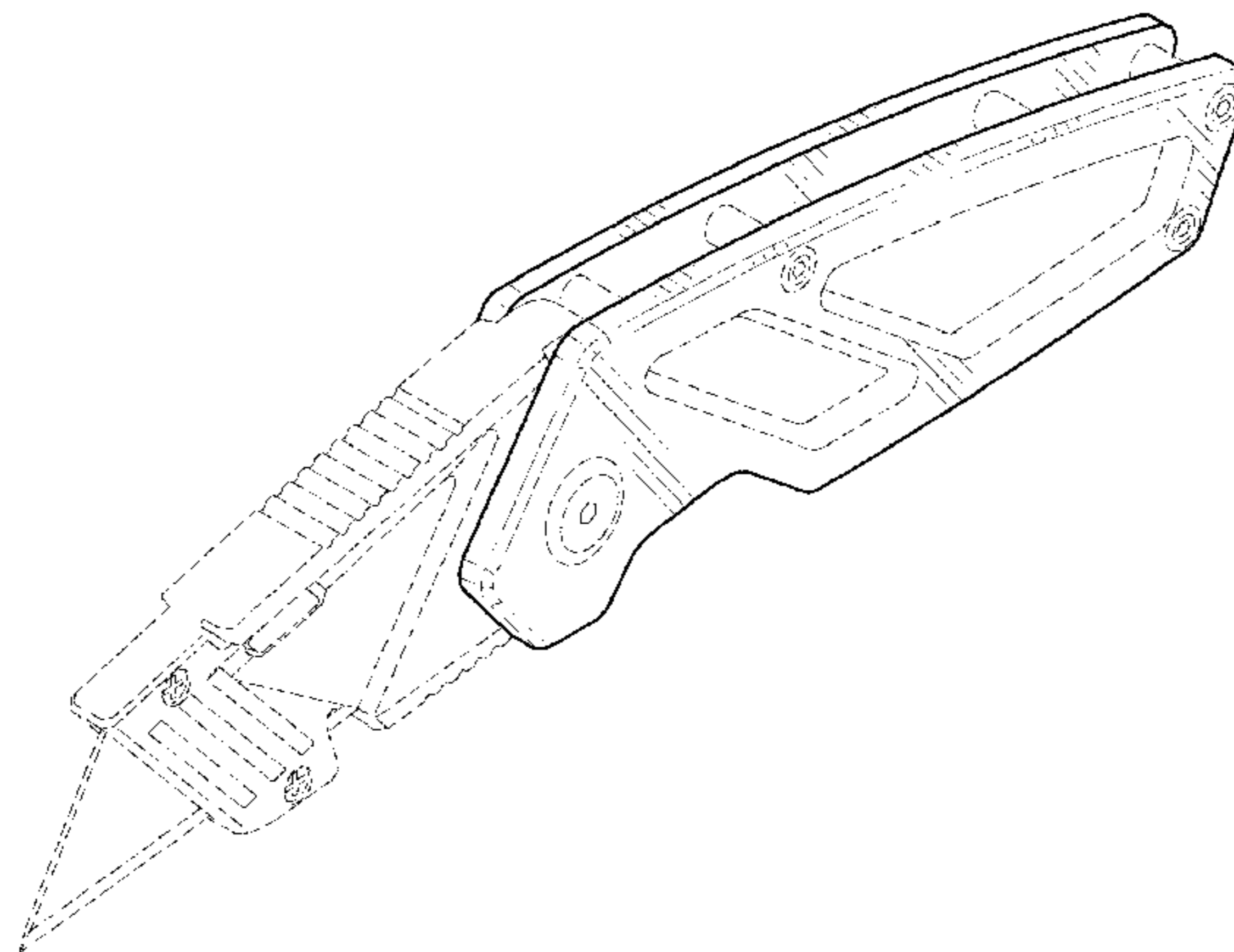
FIG. 8 is a right side perspective of the utility knife handle shown in FIG. 1, showing the knife blade folded into the utility knife handle;

FIG. 9 is a right side perspective view of the utility knife handle shown in FIG. 1, showing the knife blade in an alternate of removed position; and,

FIG. 10 is a broken elevational view of the utility knife handle without a blade portion attached.

The broken lines immediately adjacent the claimed areas represent the bounds of the claimed design while all other broken lines are directed to environment and are for illustrative purposes only; the broken lines form no part of the claimed design.

1 Claim, 10 Drawing Sheets



(56)

References Cited

U.S. PATENT DOCUMENTS

D519,817 S 5/2006 Wong
 D522,835 S 6/2006 Ping
 D527,234 S 8/2006 Weremchuk et al.
 7,131,204 B2 11/2006 Brown et al.
 D554,964 S * 11/2007 Taylor D8/99
 7,316,070 B2 1/2008 Green
 7,434,317 B2 10/2008 Levine et al.
 D588,433 S * 3/2009 van Deursen D8/99
 D608,168 S 1/2010 Green
 7,658,129 B2 2/2010 Korb et al.
 7,814,664 B2 * 10/2010 LeBlanc et al. 30/161
 D628,453 S 12/2010 Green
 7,913,397 B2 * 3/2011 van Deursen 30/154
 7,921,568 B2 4/2011 Green
 D644,896 S 9/2011 Green
 D645,719 S 9/2011 Wu
 8,069,569 B2 12/2011 Brown et al.
 D660,107 S 5/2012 Green
 8,291,602 B2 10/2012 Korb et al.
 D686,482 S 7/2013 Robinson et al.
 8,539,677 B2 9/2013 Strauss
 8,539,680 B2 9/2013 Strauss

D691,018 S 10/2013 Robinson et al.
 8,549,755 B2 * 10/2013 Ranieri et al. 30/162
 D696,919 S * 1/2014 Leh et al. D8/99
 D699,090 S * 2/2014 Kalajyan et al. D8/99
 D703,510 S * 4/2014 Hyma D8/99
 2005/0193566 A1 9/2005 Brown et al.
 2008/0256808 A1 10/2008 Levine et al.
 2010/0071216 A1 3/2010 Novak
 2010/0263491 A1 10/2010 Korb et al.

FOREIGN PATENT DOCUMENTS

WO 2008144737 11/2008
 WO 2010028086 3/2010

OTHER PUBLICATIONS

Design U.S. Appl. No. 29/456,434, filed May 31, 2013 entitled "Utility Knife Handle," Inventor: Gregory David Parker.
 Design U.S. Appl. No. 29/456,436, filed May 31, 2013 entitled "Utility Knife," Inventor: Gregory David Parker.
 Design U.S. Appl. No. 29/456,439, filed May 31, 2013 entitled "Utility Knife Handle," Inventor: Gregory David Parker.

* cited by examiner

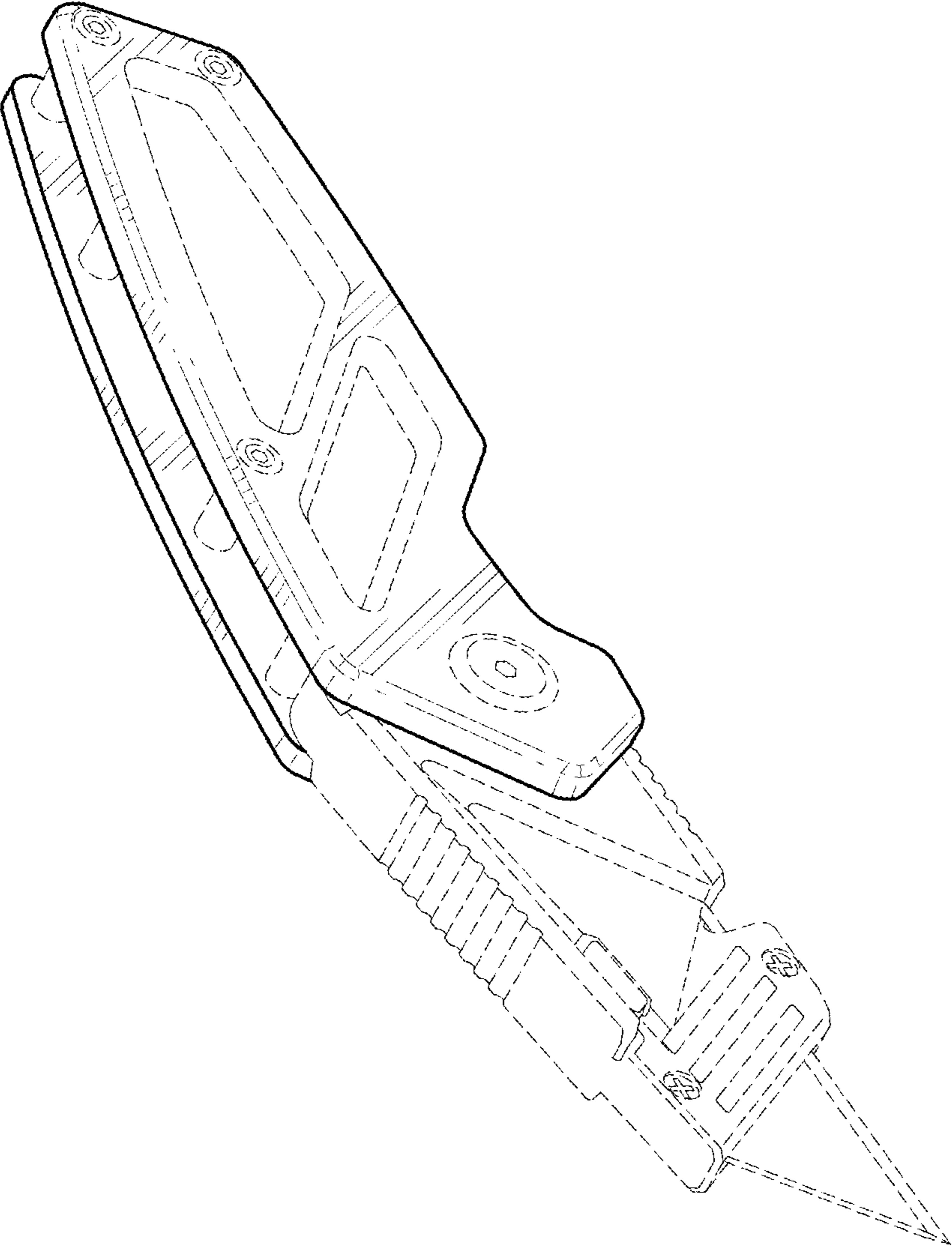


FIG. 1

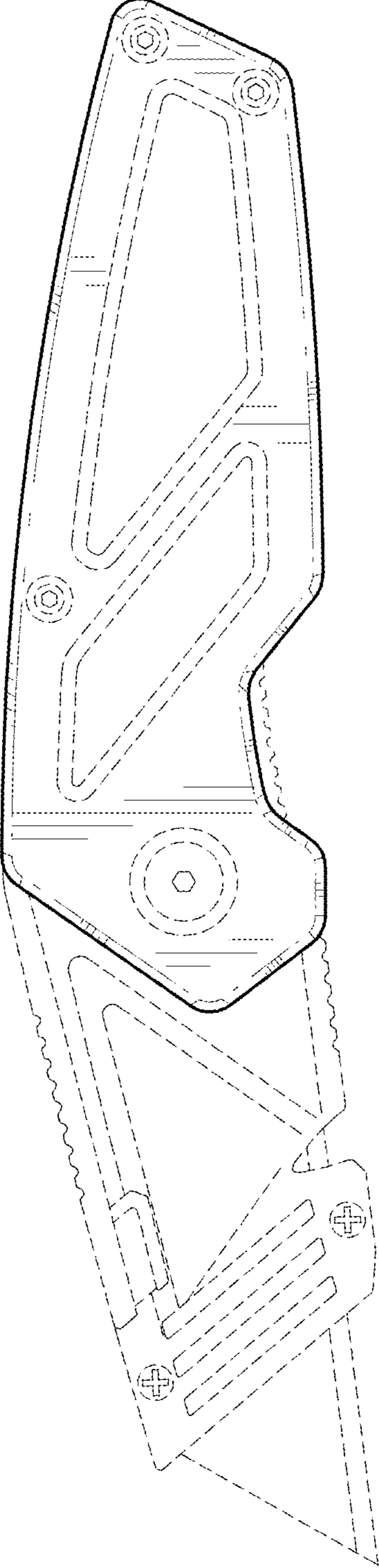


FIG. 2

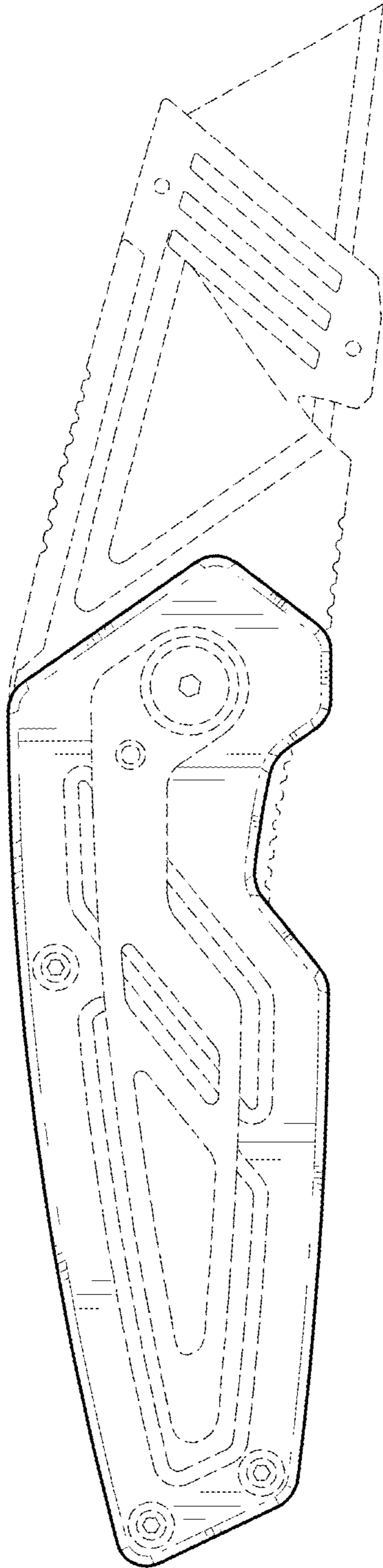


FIG. 3

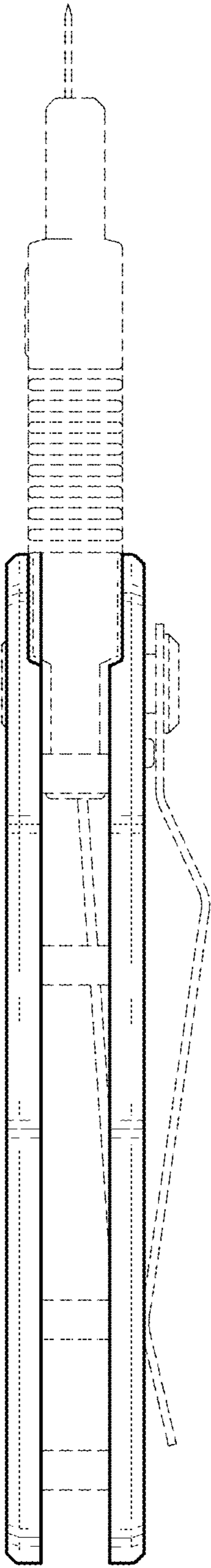


FIG. 4

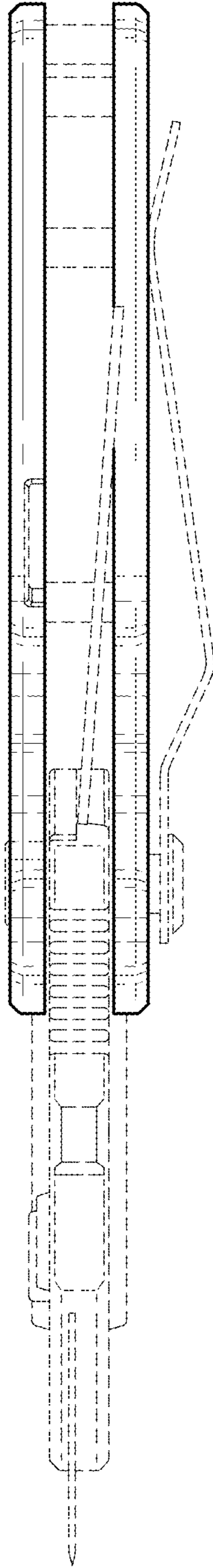


FIG. 5

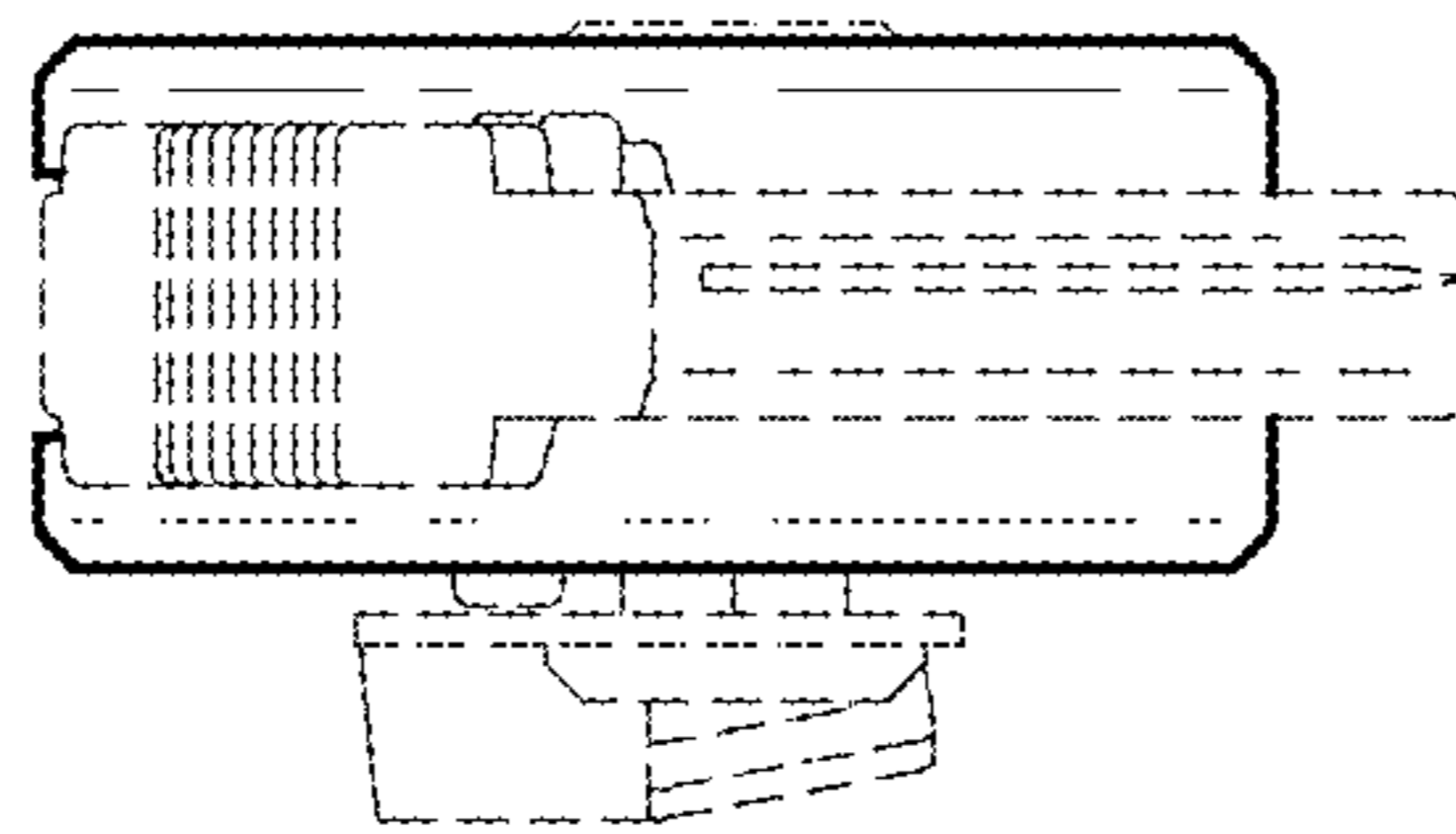


FIG. 6

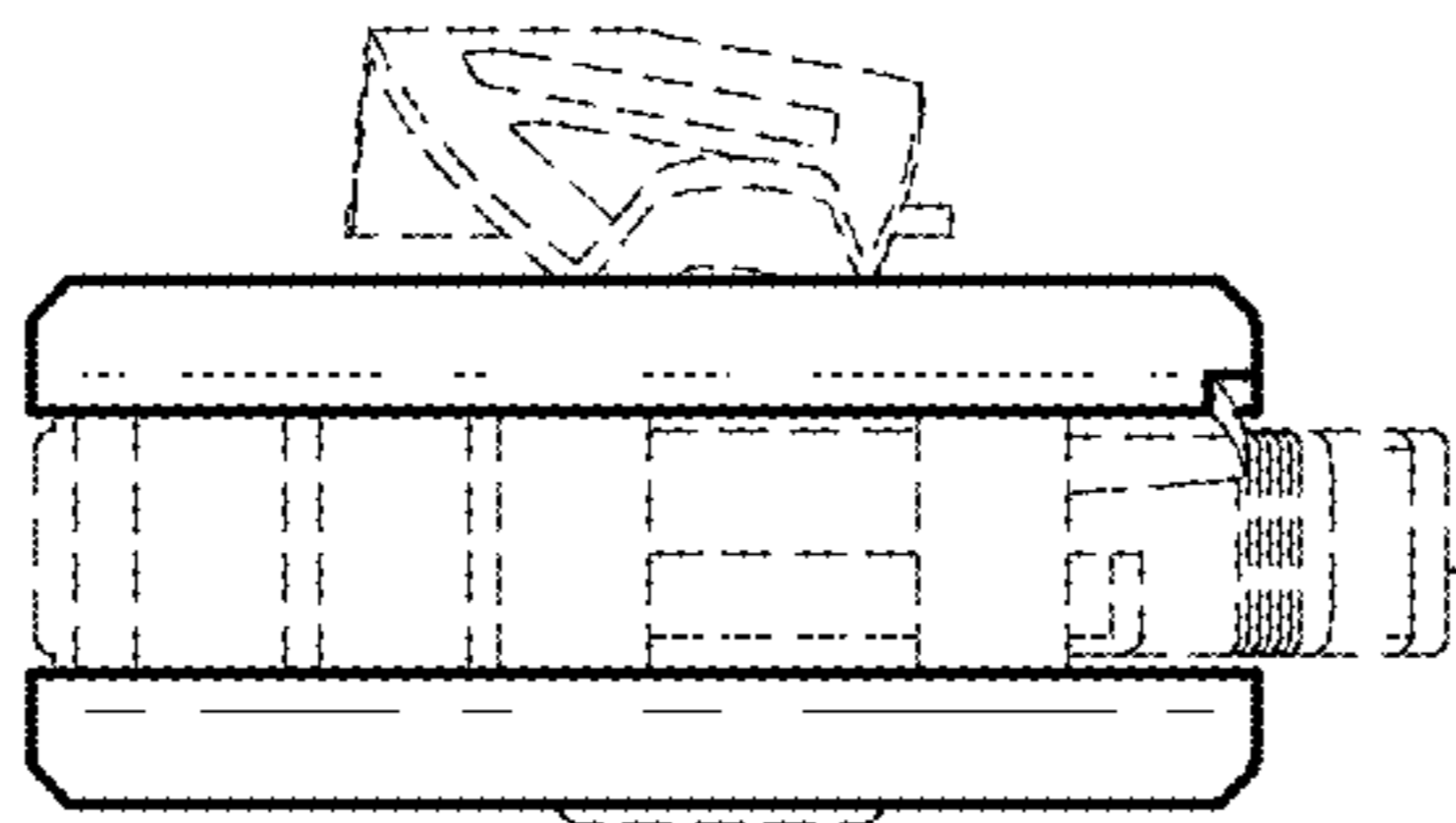


FIG. 7

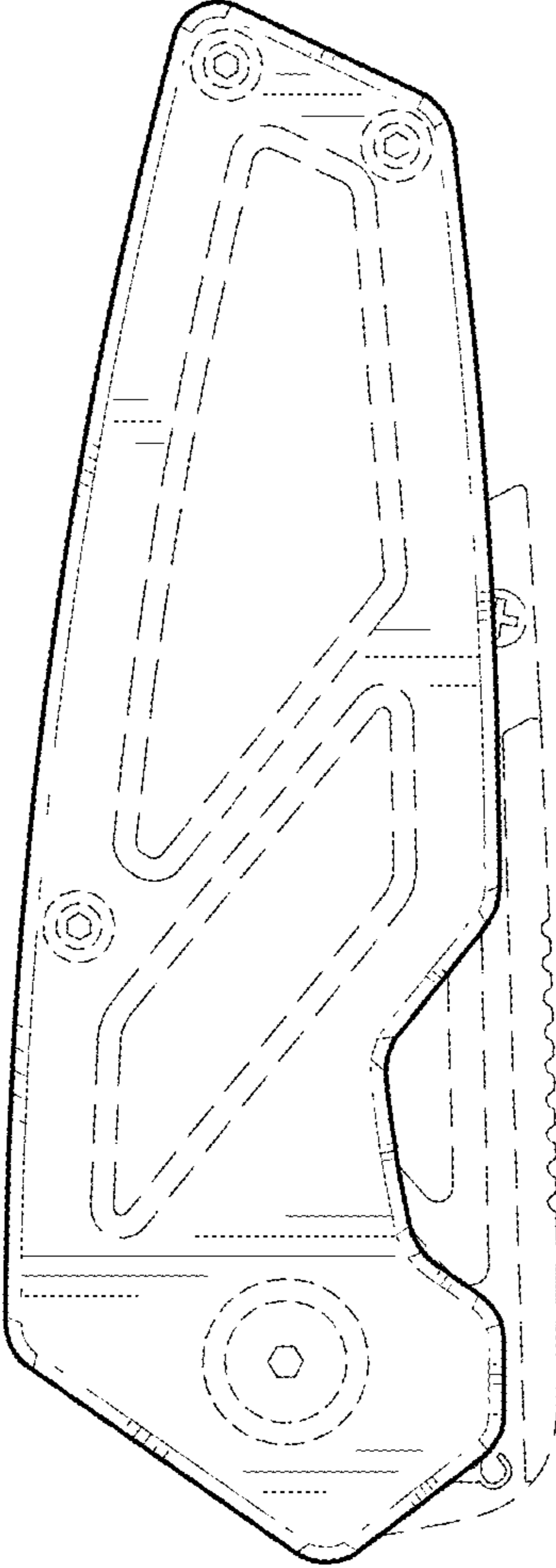


FIG. 8

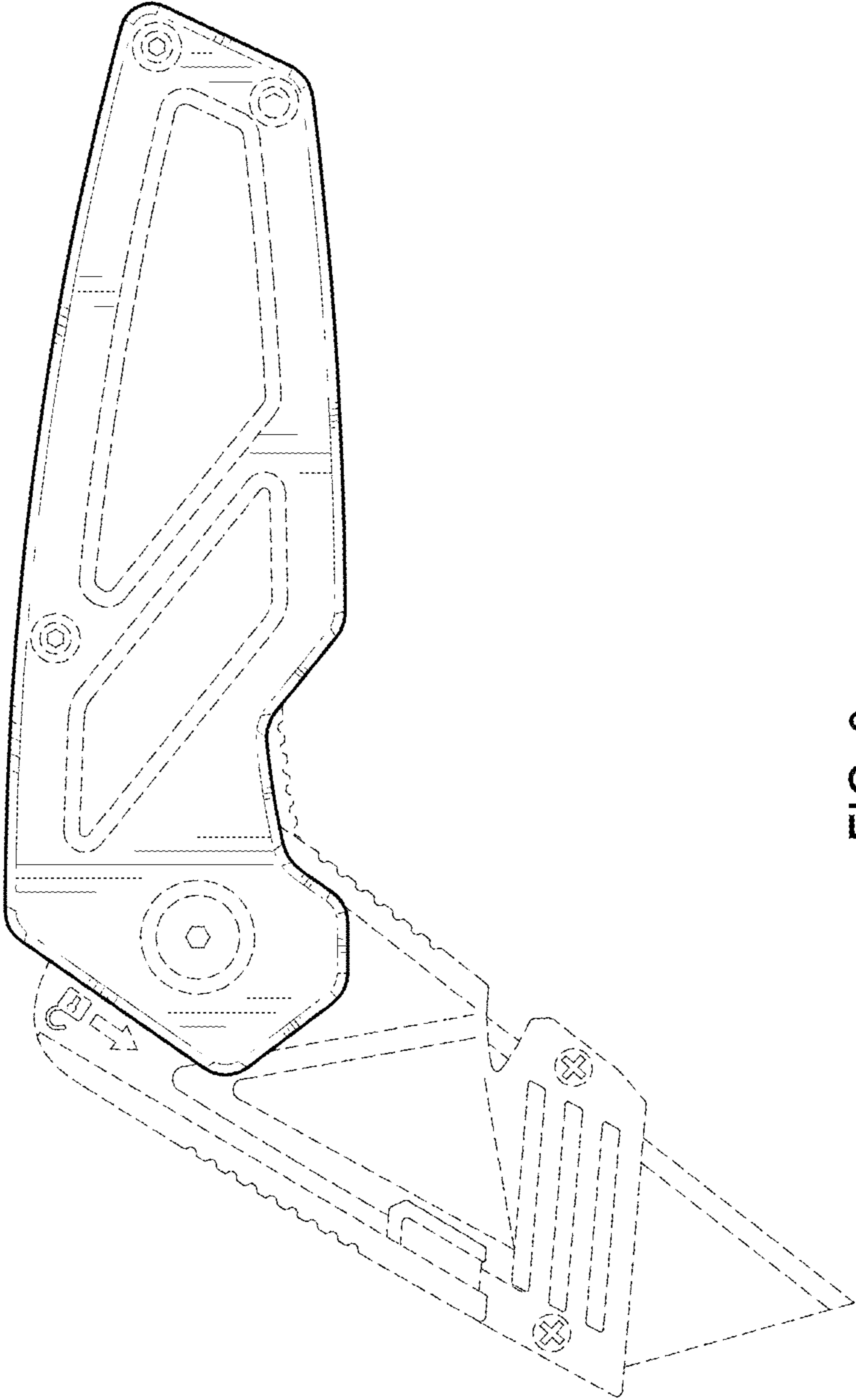


FIG. 9

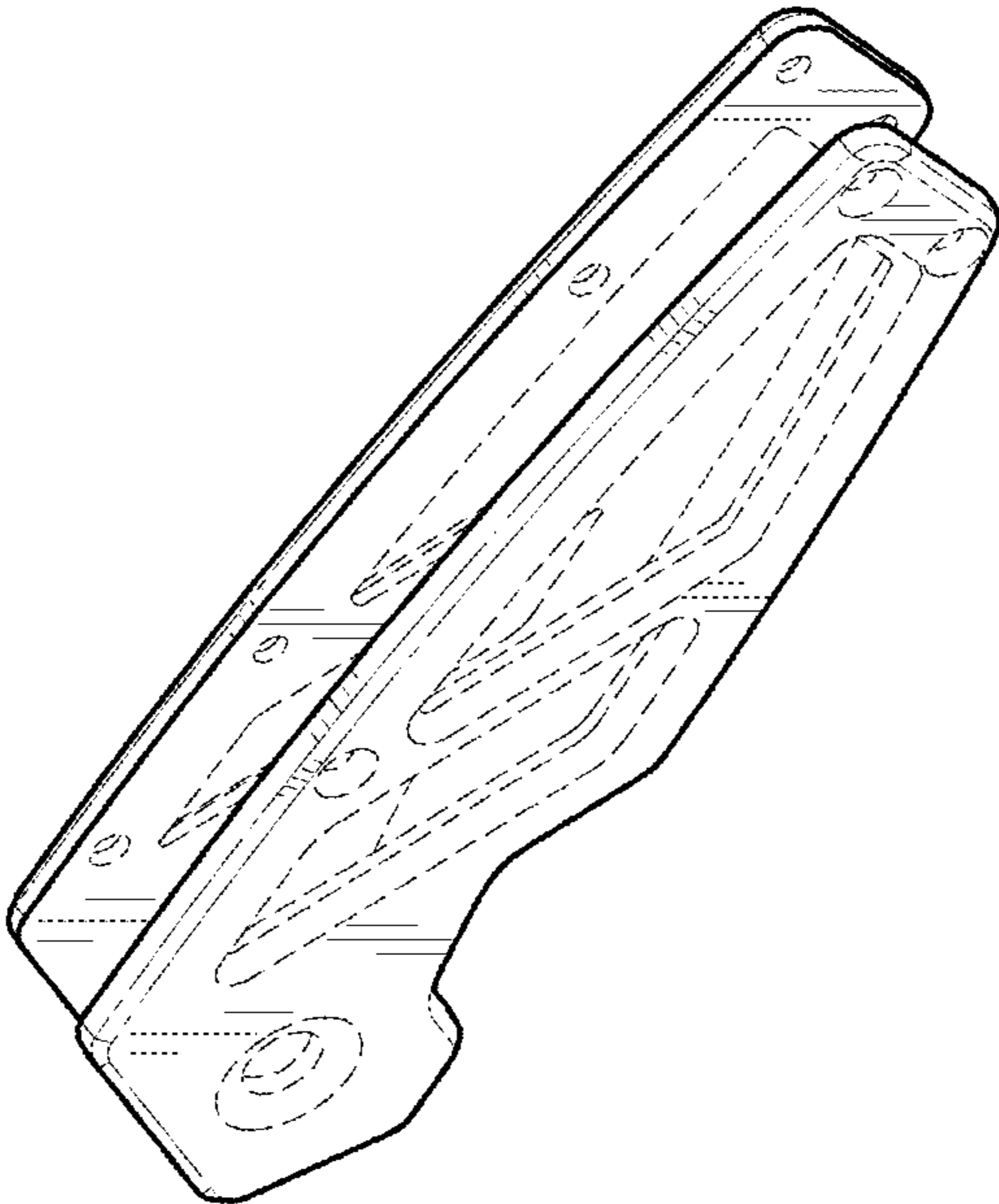


FIG. 10